

**4-BIT SINGLE-CHIP MICROCONTROLLER****DESCRIPTION**

The  $\mu$ PD75P036 is a 4-bit single-chip microcontroller that replaced the  $\mu$ PD75028's on-chip ROM with one-time PROM or EPROM. Because this device can operate at the same supply voltage as its mask version, it is suited for preproduction in development stage or small-scale production.

The one-time PROM version is programmable only once and is useful for small-scale production of many different products and time-to-market of a new product. The EPROM version is programmable, erasable, and reprogrammable, and is suited for the evaluation of application systems. ★

**Detailed functions are described in the following user's manual. Be sure to read it for designing.**

**$\mu$ PD75028 User's Manual: IEU-1280**

**FEATURES**

- $\mu$ PD75028 compatible
  - At full production, the  $\mu$ PD75P036 can be replaced with the  $\mu$ PD75028 which incorporates mask ROM
- Memory capacity
  - Program memory (PROM): 16256 x 8 bits
  - Data memory (RAM): 1024 x 4 bits
- Internal pull-up resistors can be specified by software: Ports 0-3, 6-8
- Internal pull-down resistors can be specified by software: Port 9
- Open-drain input/output: Ports 4, 5, 10
- Can operate at low voltage:  $V_{DD} = 2.7$  to 6.0 V

**ORDERING INFORMATION**

| Part Number          | Package                              | Internal ROM  | Quality Grade  |   |
|----------------------|--------------------------------------|---------------|----------------|---|
| $\mu$ PD75P036CW     | 64-pin plastic shrink DIP (750 mils) | One-time PROM | Standard       |   |
| $\mu$ PD75P036GC-AB8 | 64-pin plastic QFP (14 x 14 mm)      | One-time PROM | Standard       |   |
| $\mu$ PD75P036KG     | 64-pin ceramic WQFN                  | EPROM         | Not applicable | ★ |

**Caution** Internal pull-up/pull-down resistors cannot be specified by mask option as for this device.

Please refer to "Quality grade on NEC Semiconductor Devices" (Document number IEI-1209) published by NEC Corporation to know the specification of quality grade on e devices and its recommended applications.

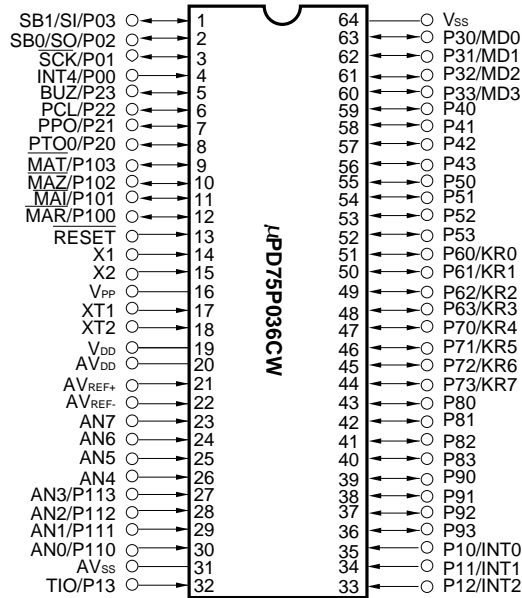
**The reliability of the EPROM version,  $\mu$ PD75P036KG, is not guaranteed when used in mass-produced application sets. Please use this device only experimentally or for evaluation during trial manufacture.**

The function common to the one-time PROM and EPROM versions is referred to as PROM throughout this document.

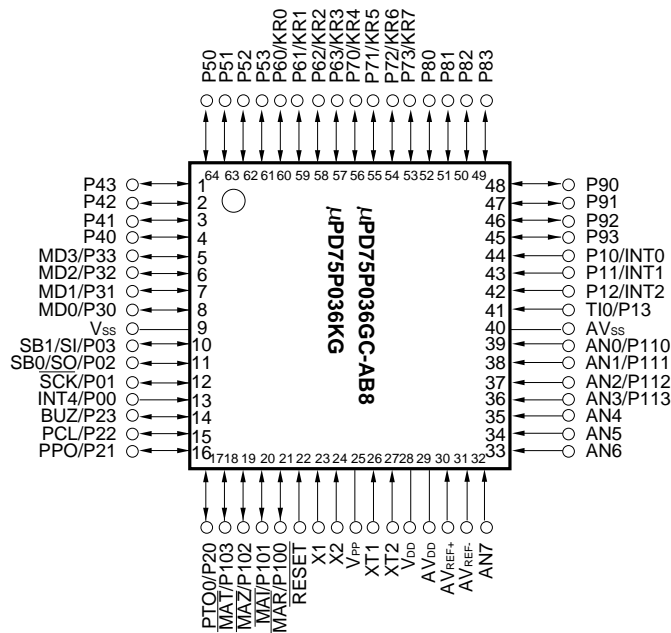
The information in this document is subject to change without notice.

PIN CONFIGURATIONS (Top View)

- 64-pin plastic shrink DIP (750 mils)



- 64-pin plastic QFP (14 x 14 mm)
- 64-pin ceramic WQFN

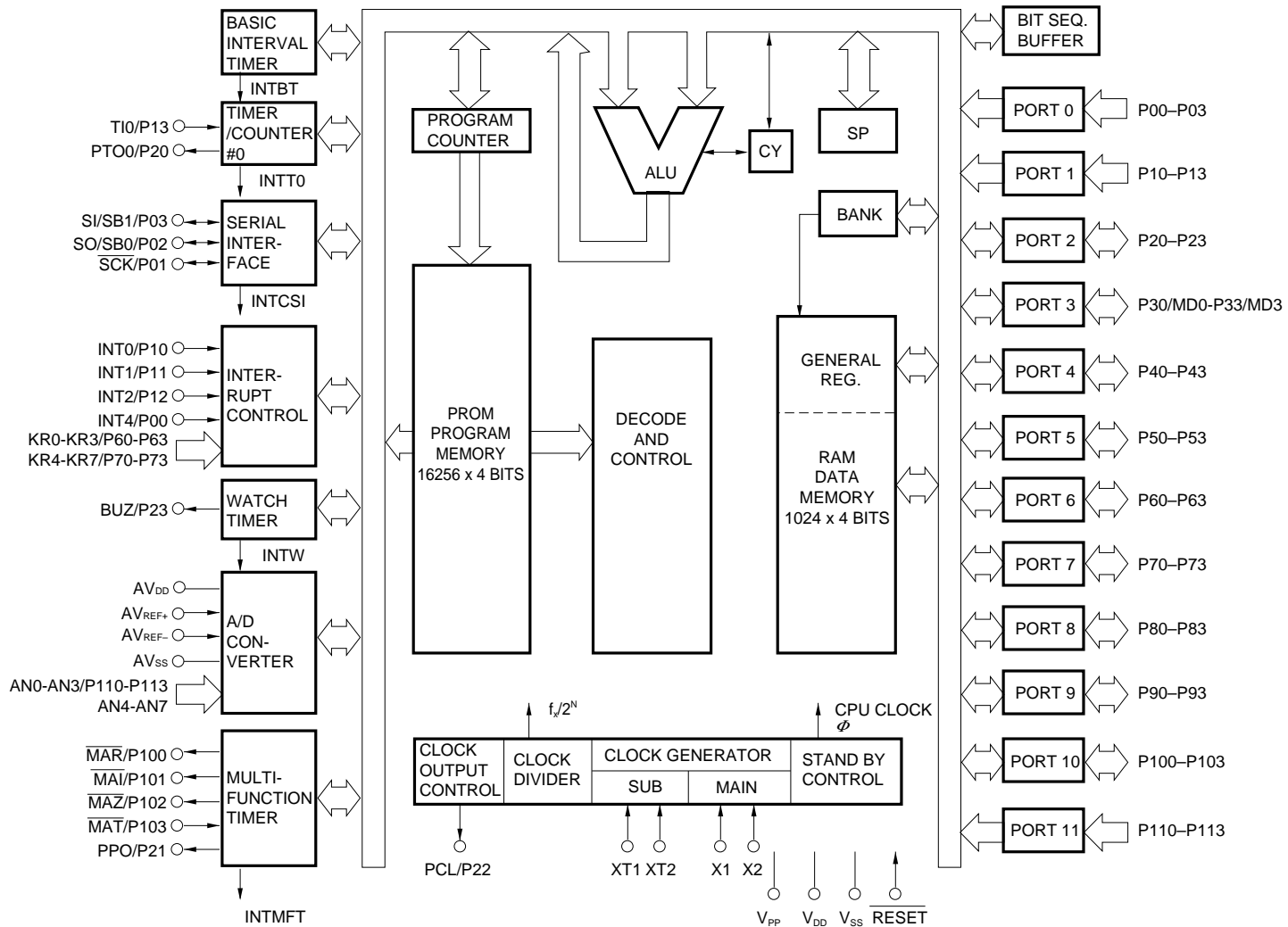


**PIN IDENTIFICATION**

★

|                           |                             |                           |                                      |
|---------------------------|-----------------------------|---------------------------|--------------------------------------|
| P00-P03                   | : Port 0                    | INT0, INT1, INT4          | : External Vectored Interrupt        |
| P10-P13                   | : Port 1                    | INT2                      | : External Test Input                |
| P20-P23                   | : Port 2                    | X1, X2                    | : Main System Clock Oscillation      |
| P30-P33                   | : Port 3                    | XT1, XT2                  | : Subsystem Clock Oscillation        |
| P40-P43                   | : Port 4                    | $\overline{\text{MAR}}$   | : Reference Integration Control      |
| P50-P53                   | : Port 5                    | $\overline{\text{MAI}}$   | : Integration Control                |
| P60-P63                   | : Port 6                    | $\overline{\text{MAR}}$   | : Autozero Control                   |
| P70-P73                   | : Port 7                    | $\overline{\text{MAT}}$   | : External Compare Timing Input      |
| P80-P83                   | : Port 8                    |                           | } MFT A/D mode                       |
| P90-P93                   | : Port 9                    |                           |                                      |
| P100-P103                 | : Port 10                   | PPO                       | : Programmable Pulse Output          |
| P110-P113                 | : Port 11                   |                           | ... MFT timer mode                   |
| KR0-KR7                   | : Key Return                | AN0-AN7                   | : Analog Input                       |
| $\overline{\text{SCK}}$   | : Serial Clock              | $\text{AV}_{\text{REF}+}$ | : Analog Reference (+)               |
| SI                        | : Serial Input              | $\text{AB}_{\text{REF}-}$ | : Analog Reference (-)               |
| SO                        | : Serial Output             | $\text{AV}_{\text{DD}}$   | : Analog $\text{V}_{\text{DD}}$      |
| SB0, SB1                  | : Serial Bus                | $\text{AV}_{\text{SS}}$   | : Analog $\text{V}_{\text{SS}}$      |
| $\overline{\text{RESET}}$ | : Reset Input               | $\text{V}_{\text{DD}}$    | : Positive Power Supply              |
| TI0                       | : Timer Input               | $\text{V}_{\text{SS}}$    | : Ground                             |
| PTO0                      | : Programmable Timer Output | MD0-MD3                   | : Mode Selection                     |
| BUZ                       | : Buzzer Clock              | $\text{V}_{\text{PP}}$    | : Programming/Verifying Power Supply |
| PCL                       | : Programmable Clock        |                           |                                      |

**Remark** MFT: Multifunction Timer



BLOCK DIAGRAM

## CONTENTS

|   |   |
|---|---|
| <b>1. PIN FUNCTIONS ... 6</b>   |   |
| 1.1 Port Pins ... 6   |   |
| 1.2 Non-Port Pins ... 8   |   |
| 1.3 Pin Input/Output Circuits ... 10                                  |   |
| 1.4 Recommended Connection of Unused Pins ... 13                      | ★ |
| <b>2. MEMORY ... 14</b>   |   |
| 2.1 Differences between $\mu$ PD75P036 and $\mu$ PD75028/75036 ... 14 |   |
| 2.2 Program Memory (ROM) ... 15                                       |   |
| 2.3 Data Memory (RAM) ... 17  |   |
| <b>3. WRITING AND VERIFYING PROM (PROGRAM MEMORY) ... 19</b>          |   |
| 3.1 Operation Modes For Writing/Verifying Program Memory ... 19       |   |
| 3.2 Program Memory Write Procedure ... 20                             |   |
| 3.3 Program Memory Read Procedure ... 21                              |   |
| 3.4 Erasure ( $\mu$ PD75P036KG only) ... 22                           | ★ |
| <b>4. ELECTRICAL SPECIFICATIONS ... 23</b>                            |   |
| <b>5. CHARACTERISTIC CURVES ... 38</b>                                | ★ |
| <b>6. PACKAGE DRAWINGS ... 44</b>                                     |   |
| <b>7. RECOMMENDED SOLDERING CONDITIONS ... 47</b>                     |   |
| <b>APPENDIX A. DEVELOPMENT TOOLS ... 48</b>                           |   |
| <b>APPENDIX B. RELATED DOCUMENTS ... 49</b>                           | ★ |

1. PIN FUNCTIONS

1.1 Port Pins (1/2)

| Pin Name                     | Input/Output | Alternate Function | Function  | 8-Bit I/O | When Reset | Input/Output Circuit Type <sup>Note 1</sup> |
|------------------------------|--------------|--------------------|---|-----------|------------|---|
| P00                          | Input        | INT4               | 4-bit input port (PORT0).   | No        | Input      | Ⓑ   |
| P01                          | Input/Output | SCK                | Internal pull-up resistors can be specified in 3-bit units for the P01 to P03 pins by software.   |           |            | Ⓕ - A                                       |
| P02                          | Input/Output | SO/SB0             |   |           |            | Ⓕ - B                                       |
| P03                          | Input/Output | SI/SBI             |   |           |            | Ⓜ - C                                       |
| P10                          | Input        | INT0               | With noise elimination function   | No        | Input      | Ⓑ - C                                       |
| P11                          |              | INT1               | 4-bit input port (PORT1).   |           |            |   |
| P12                          |              | INT2               | Internal pull-up resistors can be specified in 4-bit units by software.   |           |            |   |
| P13                          |              | TI0                |   |           |            |   |
| P20                          | Input/Output | PTO0               | 4-bit input/output port (PORT2).  | No        | Input      | E - B                                       |
| P21                          |              | PPO                | Internal pull-up resistors can be specified in 4-bit units by software.   |           |            |   |
| P22                          |              | PCL                |   |           |            |   |
| P23                          |              | BUZ                |   |           |            |   |
| P30 <sup>Note 2</sup>        | Input/Output | MD0                | Programmable 4-bit input/output port (PORT3).<br>This port can be specified for input/output in bit units.<br>Internal pull-up resistors can be specified in 4-bit units by software. | No        | Input      | E - B                                       |
| P31 <sup>Note 2</sup>        |              | MD1                |   |           |            |   |
| P32 <sup>Note 2</sup>        |              | MD2                |   |           |            |   |
| P33 <sup>Note 2</sup>        |              | MD3                |   |           |            |   |
| <sup>Note 2</sup><br>P40-P43 | Input/Output |                    | N-ch open-drain 4-bit input/output port (PORT4).<br>Withstands up to 10 V.<br>Data input/output pin for writing and verifying of program memory (PROM) (lower 4 bits).                | Yes       | Input      | M - A                                       |
| <sup>Note 2</sup><br>P50-P53 |              |                    |   |           |            |   |

- Notes** 1. Circles indicate Schmitt-triggered inputs.  
 2. Can directly drive LEDs.

1.1 Port Pins (2/2)

| Pin Name | Input/Output | Alternate Function      | Function   | 8-Bit I/O | When Reset | Input/Output Circuit Type <sup>Note 1</sup> |       |
|----------|--------------|-------------------------|--|-----------|------------|---|-------|
| P60      | Input/Output | KR0                     | Programmable 4-bit input/output port (PORT6).<br>Internal pull-up resistors can be specified in 4-bit units by software. | Yes       | Input      | Ⓕ - A                                       |       |
| P61      |              | KR1                     |  |           |            |   |       |
| P62      |              | KR2                     |  |           |            |   |       |
| P63      |              | KR3                     |  |           |            |   |       |
| P70      | Input/Output | KR4                     | 4-bit input/output port (PORT7).<br>Internal pull-up resistors can be specified in 4-bit units by software.              |           | No         | Input                                       | Ⓕ - A |
| P71      |              | KR5                     |  |           |            |   |       |
| P72      |              | KR6                     |  |           |            |   |       |
| P73      |              | KR7                     |  |           |            |   |       |
| P80-P83  | Input/Output | —                       | 4-bit input/output port (PORT8).<br>Internal pull-up resistors can be specified in 4-bit units by software.              | No        | Input      | E - B                                       |       |
| P90-P93  | Input/Output | —                       | 4-bit input/output port (PORT9).<br>Internal pull-up resistors can be specified in 4-bit units by software.              |           | Input      | E - D                                       |       |
| P100     | Input/Output | $\overline{\text{MAR}}$ | N-ch open-drain 4-bit input/output port (PORT10).<br>Withstands up to 10 V in open-drain mode.                           | No        | Input      | M - A                                       |       |
| P101     |              | $\overline{\text{MAI}}$ |  |           |            |   |       |
| P102     |              | $\overline{\text{MAZ}}$ |  |           |            |   |       |
| P103     |              | $\overline{\text{MAT}}$ |  |           |            |   |       |
| P110     | Input        | AN0                     | 4-bit input/output port (PORT11).  |           | No         | Input                                       | Y     |
| P111     |              | AN1                     |  |           |            |   |       |
| P112     |              | AN2                     |  |           |            |   |       |
| P113     |              | AN3                     |  |           |            |   |       |

**Note** Circles indicate schmitt-triggered inputs.

1.2 Non-Port Pins (1/2)

| Pin Name | Input/Output | Alternate Function | Function   | 8-Bit I/O                             | When Reset | Input/Output Circuit Type <sup>Note 1</sup> |
|----------|--------------|--------------------|--|---------------------------------------|------------|---|
| TI0      | Input        | P13                | External event pulse input pin to timer/event counter  |                                       | Input      | (B) - C                                     |
| PTO0     | Input/Output | P20                | Timer/event counter output pin   |                                       | Input      | E - B                                       |
| PCL      | Input/Output | P22                | Clock output pin   |                                       | Input      | E - B                                       |
| BUZ      | Input/Output | P23                | Fixed frequency output pin (for buzzer or for trimming the system clock)                           |                                       | Input      | E - B                                       |
| SCK      | Input/Output | P01                | Serial clock input/output pin  |                                       | Input      | (F) - A                                     |
| SO/SB0   | Input/Output | P02                | Serial data output pin<br>Serial bus input/output pin  |                                       | Input      | (F) - B                                     |
| SI/SB1   | Input/Output | P03                | Serial data output pin<br>Serial bus input/output pin  |                                       | Input      | (M) - C                                     |
| INT4     | Input        | P00                | Edge detection vectored interrupt input pin (Either rising or falling edge detection is effective) |                                       | Input      | (B)   |
| INT0     | Input        | P10                | Edge detection vectored interrupt input pin (Detection edge can be selected)                       |                                       | Input      | (B) - C                                     |
| INT1     |              | P11                |  |                                       |            |   |
| INT2     | Input        | P12                | Edge detection testable input pin (rising edge detection)  |                                       | Input      | (B) - C                                     |
| KR0-KR3  | Input/Output | P60-P63            | Testable input/output pin (parallel falling edge detection)  |                                       | Input      | (F) - A                                     |
| KR4-KR7  | Input/Output | P70-P73            | Testable input/output pin (parallel falling edge detection)  |                                       | Input      | (F) - A                                     |
| MAR      | Input/Output | P100               | In integral A/D converter mode of MFT  | Reverse integration signal output pin | Input      | M - A                                       |
| MAI      | Input/Output | P101               |  | Integration signal output pin         | Input      | M - A                                       |
| MAZ      | Input/Output | P102               |  | Auto zero signal output pin           | Input      | M - A                                       |
| MAT      | Input/Output | P103               |  | Comparator input pin                  | Input      | M - A                                       |
| PPO      | Input/Output | P21                | In timer mode of MFT   | Timer pulse output pin                | Input      | E - B                                       |

**Note** Circles indicate Schmitt-triggerred inputs.

**Remark** MFT: Multifunction timer



1.2 Non-Port Pins (2/2)

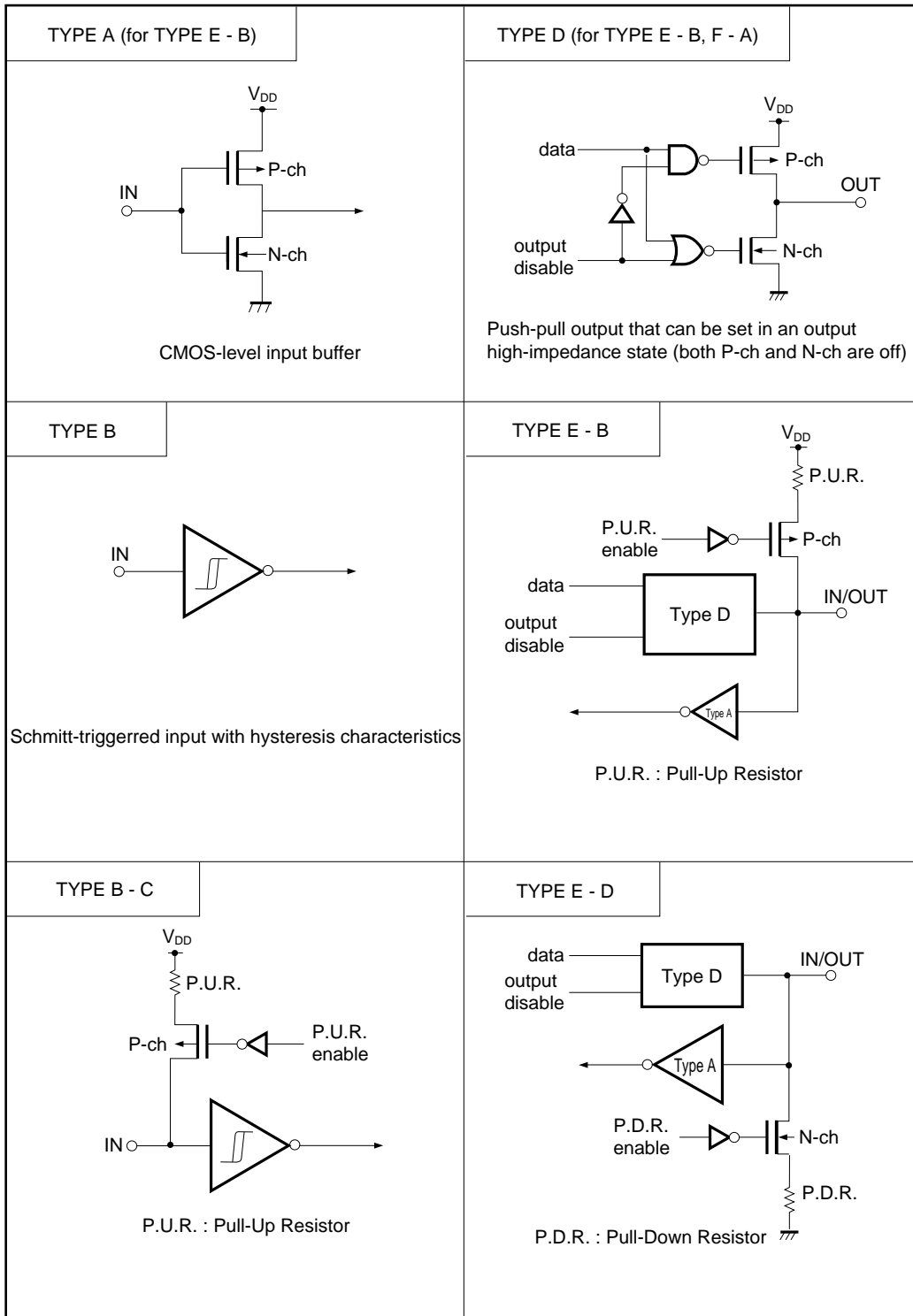
| Pin Name                          | Input/Output | Alternate Function | Function  | When Reset              | Input/Output Circuit Type <sup>Note 1</sup>          |   |       |
|-----------------------------------|--------------|--------------------|---|-------------------------|--|---|-------|
| AN0-AN3                           | Input        | P110-P113          | Pins only for A/D converter   | 8-bit analog input pin. | Y  |   |       |
| AN4-AN7                           |              | —                  |   |                         | Y - A  |   |       |
| AVREF+                            | Input        | —                  |   |                         | Reference voltage input pin (AV <sub>DD</sub> side). | — | Z - A |
| AVREF-                            | Input        | —                  |   |                         | Reference voltage input pin (AV <sub>SS</sub> side). | — | Z - A |
| AV <sub>DD</sub>                  | —            | —                  |   |                         | Positive power supply pin.                           | — | —     |
| AV <sub>SS</sub>                  | —            | —                  |   |                         | GND potential pin.                                   | — | —     |
| X1, X2                            | Input        | —                  | Crystal or ceramic resonator connection for main system clock generation. To use external clock, input the external clock to X1 and its reverse phase to X2.  | —                       | —  |   |       |
| XT1, XT2                          | Input        | —                  | Crystal or ceramic resonator connection for subsystem clock generation. To use external clock, input the external clock to XT1 and its reverse phase to XT2. XT1 can be used as a 1-bit input (test) pin. | —                       | —  |   |       |
| RESET                             | Input        | —                  | System reset input pin.   | —                       | ⓑ  |   |       |
| MD0/MD3                           | Input/Output | P30-P33            | Mode selection pins in program memory (PROM) write/verify mode.   | Input                   | E - B  |   |       |
| V <sub>PP</sub> <sup>Note 2</sup> | —            | —                  | Program voltage application pin in program memory (PROM) write/verify mode.<br>At normal operation, connect the pin to V <sub>DD</sub> directly. In the PROM write/verify mode, apply +12.5 V.            | —                       | —  |   |       |
| V <sub>DD</sub>                   | —            | —                  | Positive power supply pin.  | —                       | —  |   |       |
| V <sub>SS</sub>                   | —            | —                  | GND potential pin.  | —                       | —  |   |       |

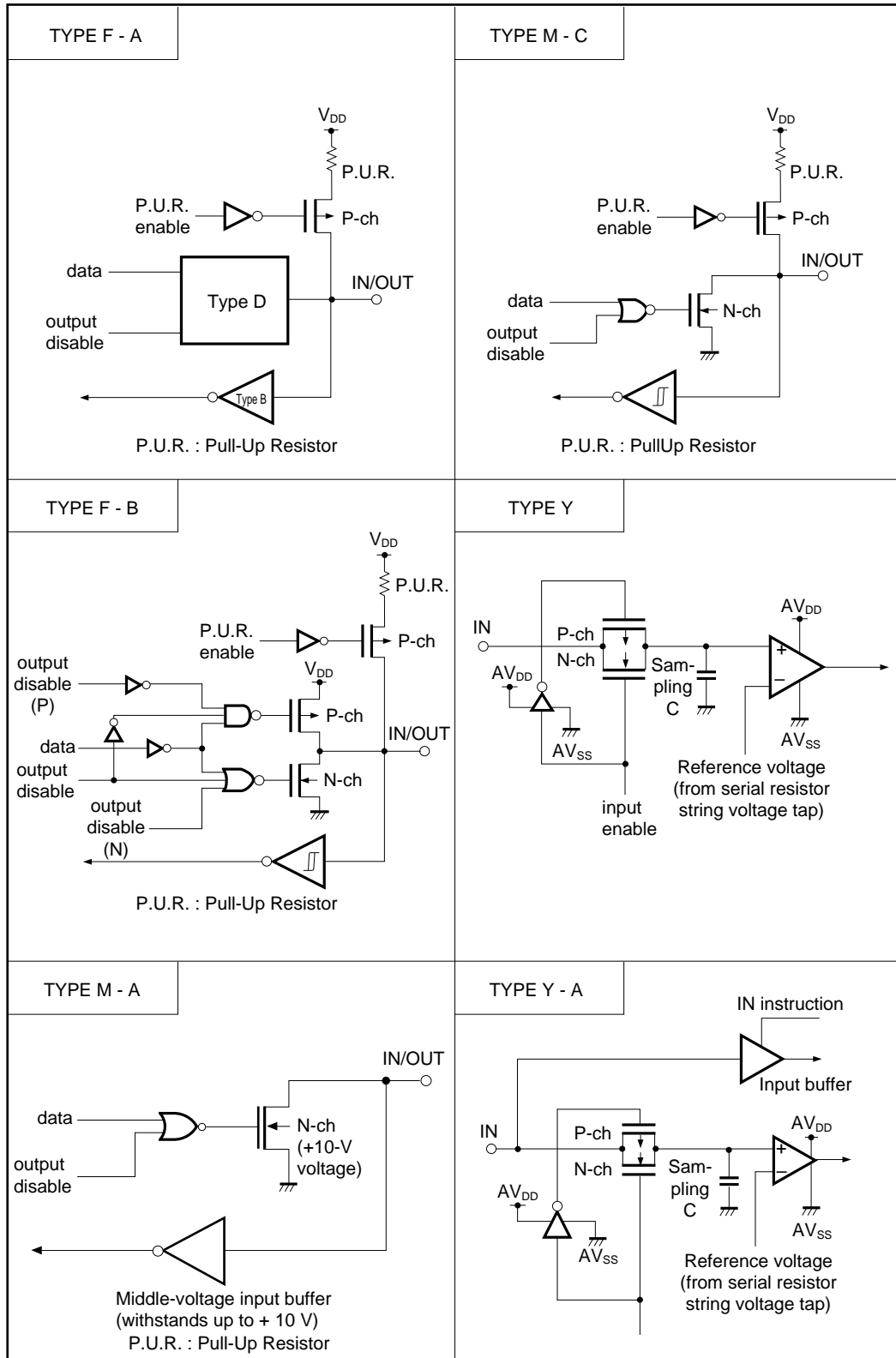
**Notes 1.** Circles indicate schmitt trigger inputs.

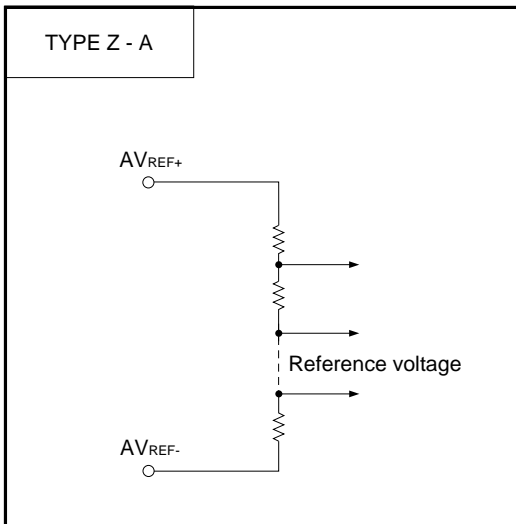
**2.** If the V<sub>PP</sub> pin is not connected directly to the V<sub>DD</sub> pin at normal operation, the μPD75P036 does not operate normally.

1.3 Pin Input/Output Circuits

The following shows a simplified input/output circuit diagram for each pin of the μPD75P036.







1.4 Recommended Connection of Unused Pins

★

| Pin Name           | Recommended Connecting Method   |
|--------------------|---|
| P00/INT4           | Connect to V <sub>SS</sub> .  |
| P01/SCK            | Connect to V <sub>SS</sub> or V <sub>DD</sub> .   |
| P02/SO/SB0         |   |
| P03/SI/SB1         |   |
| P10/INT0-P12/INT2  | Connect to V <sub>SS</sub> .  |
| P13/TI0            | Input state: Independently connect to V <sub>SS</sub> or V <sub>DD</sub> via a resistor.<br>Output state: Leave Open. |
| P20/PTO0           |   |
| P21/PPO            |   |
| P22/PCL            |   |
| P23/BUZ            |   |
| P30/MD0-P33/MD3    |   |
| P40-P43            |   |
| P50-P53            |   |
| P60/KR0-P63/KR3    |   |
| P70/KR4-P73/KR7    |   |
| P80-P83            |   |
| P90-P93            |   |
| P100/MAR           |   |
| P101/MAI           |   |
| P102/MAZ           |   |
| P103/MAT           |   |
| P110/AN0-P113/AN3  |   |
| AN4-AN7            | Connect to V <sub>SS</sub> .  |
| AV <sub>REF+</sub> |   |
| AV <sub>REF-</sub> |   |
| AV <sub>SS</sub>   | Connect to V <sub>DD</sub> .  |
| AV <sub>DD</sub>   |   |
| XT1                | Connect to V <sub>SS</sub> or V <sub>DD</sub> .   |
| XT2                | Leave Open.   |
| V <sub>PP</sub>    | Connect directly to V <sub>DD</sub> .   |

2. MEMORY

2.1 Differences between μPD75P036 and μPD75028/75036

The μPD75P036 is a microcontroller provided by replacing the μPD75028's on-chip mask ROM with one-time PROM or EPROM. Capacity of program memory and data memory are different, but CPU function and internal hardware are identical. Table 2-1 shows the differences between the μPD75P036 and μPD75028/75036. Users should fully consider these differences especially when debugging or producing an application system on an experimental basis by using the PROM version and then mass-producing the system using the mask ROM version.

For details about the CPU function and the internal hardware, refer to μPD75028 User's Manual (IEM-1280).

★

Table 2-1. Differences between μPD75P036 and μPD75028/75036

| Item                      | μPD75P036   | μPD75028                           | μPD75036                        |
|---------------------------|---|------------------------------------|---------------------------------|
| Program memory            | One-time PROM/EPROM   | Mask ROM                           |                                 |
|                           | 0000H-3F7FH<br>(16256 x 8 bits)   | 0000H-1F7FH<br>(8064 x 8 bits)     | 0000H-3F7FH<br>(16256 x 8 bits) |
| Data memory               | 000H-3FFH<br>(1024 x 4 bits)  | 000H-1FFH<br>(512 x 4 bits)        | 000H-3FFH<br>(1024 x 4 bits)    |
| Pull-up resistor          | Ports 0-3, 6-8  | Can be specified by software.      |                                 |
|                           | Ports 4, 5, 10  | Not provided                       | Can be connected by mask option |
| Pull-down resistor        | Port 9  | Can be specified by software.      |                                 |
| XT1 feedback resistor     | Provided on-chip  | Can be disconnected by mask option |                                 |
| Supply voltage            | V <sub>DD</sub> = 2.7 to 6.0 V  |                                    |                                 |
| Pin connection            | Pin 16 (SDIP)   | V <sub>PP</sub>                    | Internally connected            |
|                           | Pin 25 (QFP)  |                                    |                                 |
|                           | Pins 60-63 (SDIP)   | P33/MD3-P30/MD0                    | P33-P30                         |
|                           | Pins 5-8 (QFP)  |                                    |                                 |
| Electrical specifications | Supply current and operating temperature ranges differ between μPD75P036 and μPD75028/75036. For details, refer to the electrical specifications described in Data Sheet of each model. |                                    |                                 |
| Others                    | Noise immunity and noise radiation differ because circuit complexity and mask layout are different.   |                                    |                                 |

**Caution** The noise immunity and noise radiation differ between the PROM and mask ROM versions. To replace the PROM version with the mask ROM version in the course of experimental production to mass production, evaluate your system by using the CS version (not ES) of the mask ROM version.

## 2.2 Program Memory (ROM) --- 16256 words x 8 bits

The program memory is a 16256-word x 8-bit PROM and stores programs, table data, etc.

The program memory is accessed by referencing the program counter contents. Table data can be referenced by executing a table look-up instruction (MOVT).

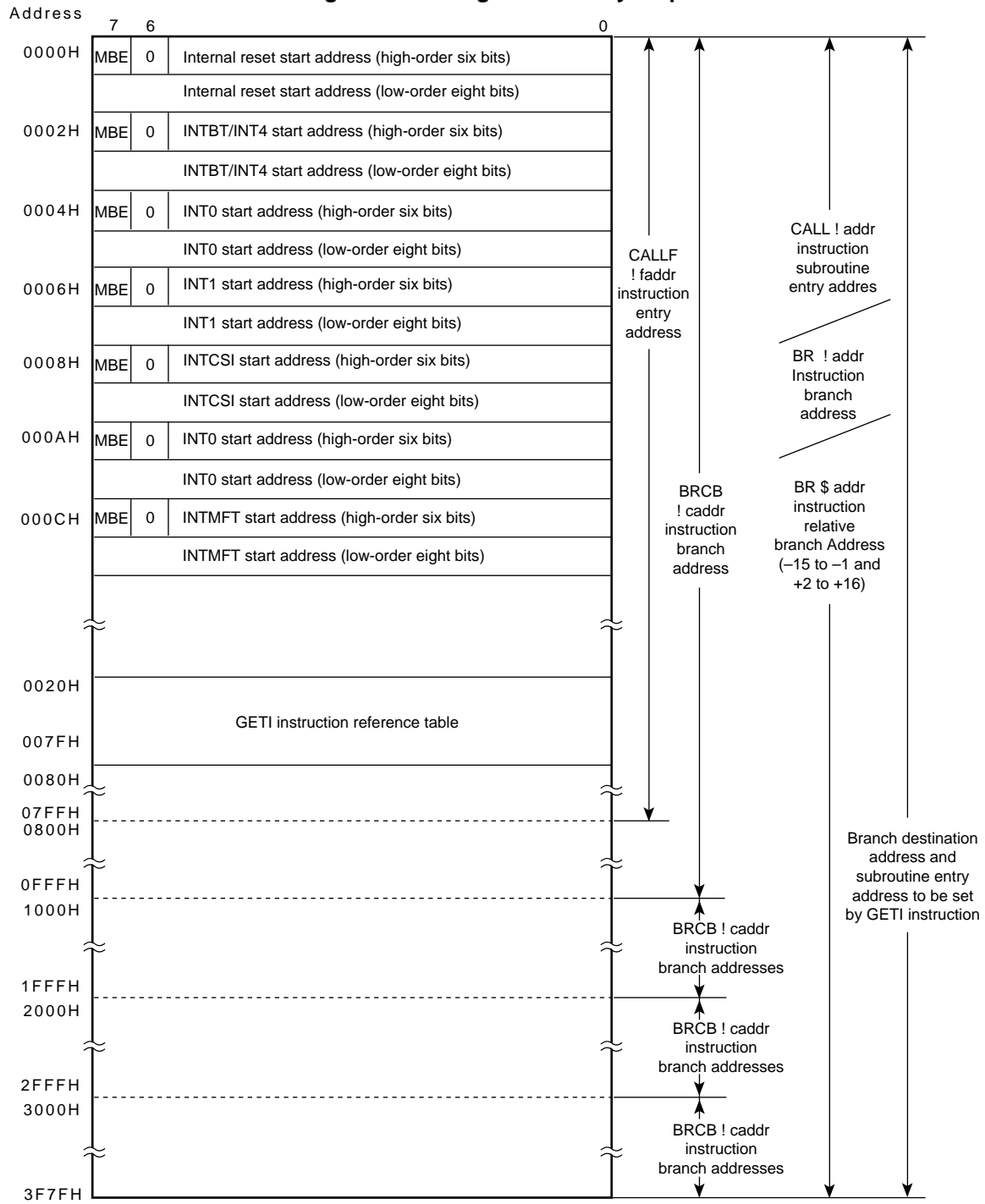
Figure 2-1 shows the address range in which a branch can be taken by branch instructions and subroutine call instructions. A relative branch instruction (BR \$addr) enables a branch to addresses [PC value -15 to -1, +2 to +16] regardless of block boundaries.

Program memory addresses are 0000H-3F7FH and the following addresses are assigned to special purposes: (All areas except 0000H or 0001H can be used as normal program memory.)

- Addresses 0000H-0001H  
Vector table into which the program start address and MBE setting value when the  $\overline{\text{RESET}}$  signal is generated are written.  
Processing at reset is started at any desired address.
- Addresses 0002H-000DH  
Vector table into which the program start address and MBE setting value when each vectored interrupt is generated are written.  
Interrupt servicing can be started at any desired address.
- Addresses 0020H-007FH  
Table area referenced by the GETI instruction<sup>Note</sup>.

**Note** The GETI instruction is provided to execute any 2-byte or 3-byte instruction or two 1-byte instructions as a 1-byte instruction; it is used to reduce the number of program steps.

Figure 2-1. Program Memory Map





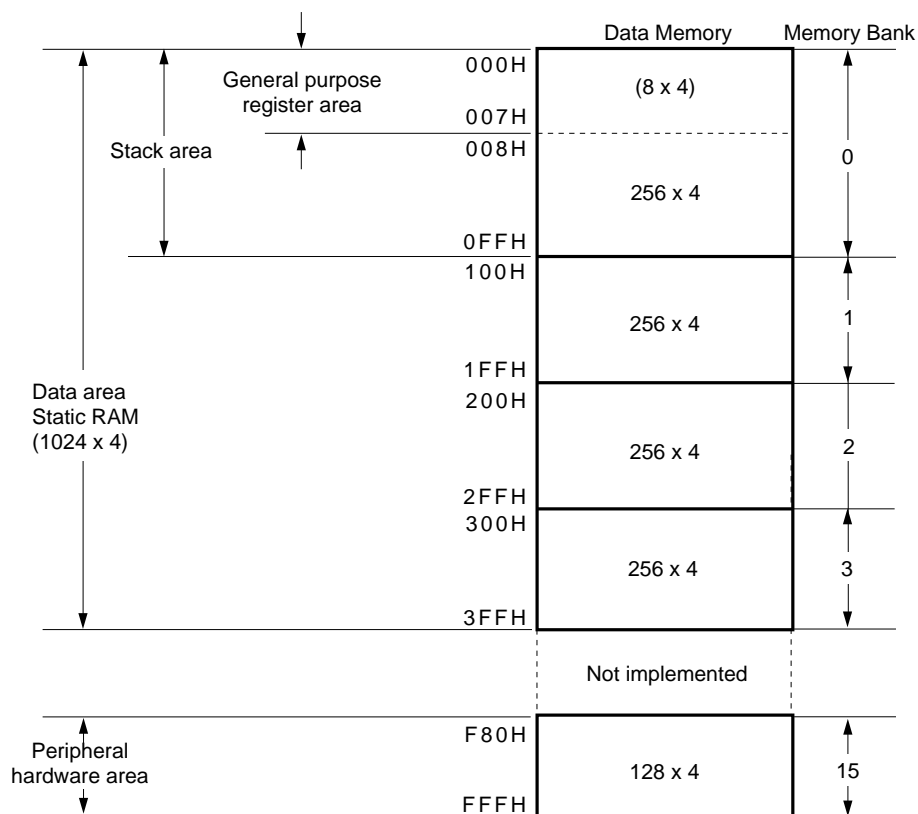
**2.3 Data Memory (RAM)**

The data memory consists of a data area and a peripheral hardware area as shown in Figure 2-2.

The data memory consists of banks, each consisting of 256 words x 4 bits, and the following memory banks can be used:

- Memory banks 0-3 (data area)
- Memory bank 15 (peripheral hardware area)

**Figure 2-2. Data Memory Map**



**(1) Data area**

The data area consists of static RAM and is used to store process data and as stack memory when a (subroutine) or an interrupt is executed. Even when CPU operation is stopped in the standby mode, the memory contents can be retained for hours with battery backup, etc. The data area is manipulated by executing memory manipulation instructions.

The static RAM is mapped each 256 x 4 bits in memory banks 0-3. Bank 0 is mapped as a data area; it can also be used as a general purpose register area (000H-007H) and a stack area (000H-0FFH).

One address of the static RAM consists of four bits; however it can be manipulated in 8-bit units by executing 8-bit memory manipulation instructions and bit-wise by executing bit manipulation instructions. To execute an 8-bit memory manipulation instruction, specify an even address.

**(a) General purpose register area**

Can be handled by executing general purpose register and memory manipulation instructions. A maximum of eight 4-bit registers can be used. The portions of the eight general purpose registers not used by a program can be used as a data area or stack area.

**(b) Stack area**

Is set by an instruction and can be used as a save area when a subroutine is executed or interrupt servicing is performed.

**(2) Peripheral hardware area**

The peripheral hardware area is mapped in addresses F80H-FFFH of memory bank 15.

Like the static memory, the peripheral hardware area is handled by executing memory manipulation instructions. However, the bit units in which the peripheral hardware can be manipulated vary depending on the address. Addresses in which the peripheral hardware is not mapped do not contain data memory and cannot be accessed.

### 3. WRITING AND VERIFYING PROM (PROGRAM MEMORY)

The program memory incorporated in the μPD75P036 is a 16256 x 8-bit electrically writable PROM. The pins as listed in the table given below are used for write and verification of the PROM. No address is input; instead, an address is updated by inputting a clock from the X1 pin.

| Pin Name                               | Function   |
|--|--|
| V <sub>PP</sub>                        | Applies voltage when program memory is written/verified (normally, at V <sub>DD</sub> potential)   |
| X1, X2                                 | These pins input clock that updates address when program memory is written/verified. To X2 pin, input X1's signal reverse phase.                 |
| MD0-MD3 (P30-P33)                      | These pins select operation mode when program memory is written/verified.  |
| P40-P43 (Lower 4)<br>P50-P53 (Upper 4) | These pins input/output 8-bit data when program memory is written/verified.  |
| V <sub>DD</sub>                        | Power supply voltage application pin.<br>Apply 2.7 to 6.0 V to this pin during normal operation and 6 V when program memory is written/verified. |

**Cautions 1. Always cover the erasure window of the μPD75P036KG with an opaque film except when the contents of the EPROM are erased.** ★

**2. The one-time PROM version μPD75P036CW/GC is not equipped with a window, and therefore, the contents of the program memory of this model cannot be erased by exposing it to ultraviolet rays.**

#### 3.1 Operation Modes For Writing/Verifying Program Memory

When +6V is applied to the V<sub>DD</sub> pin of the μPD75P036 with +12.5V applied to the V<sub>PP</sub> pin, the μPD75P036 is set in the program memory write/verify mode. In this mode, the following operation modes can be set by using the MD0-MD3 pins. At this time, all remaining pins are set to the V<sub>SS</sub> potential with pull-down resistors.

| Operating Mode Specification |                 |     |     |     |     | Operating Mode                      |
|------------------------------|-----------------|-----|-----|-----|-----|-------------------------------------|
| V <sub>PP</sub>              | V <sub>DD</sub> | MD0 | MD1 | MD2 | MD3 |                                     |
| +12.5 V                      | +6 V            | H   | L   | H   | L   | Program memory address 0 clear mode |
|                              |                 | L   | H   | H   | H   | Write mode                          |
|                              |                 | L   | L   | H   | H   | Verify mode                         |
|                              |                 | H   | X   | H   | H   | Program inhibit mode                |

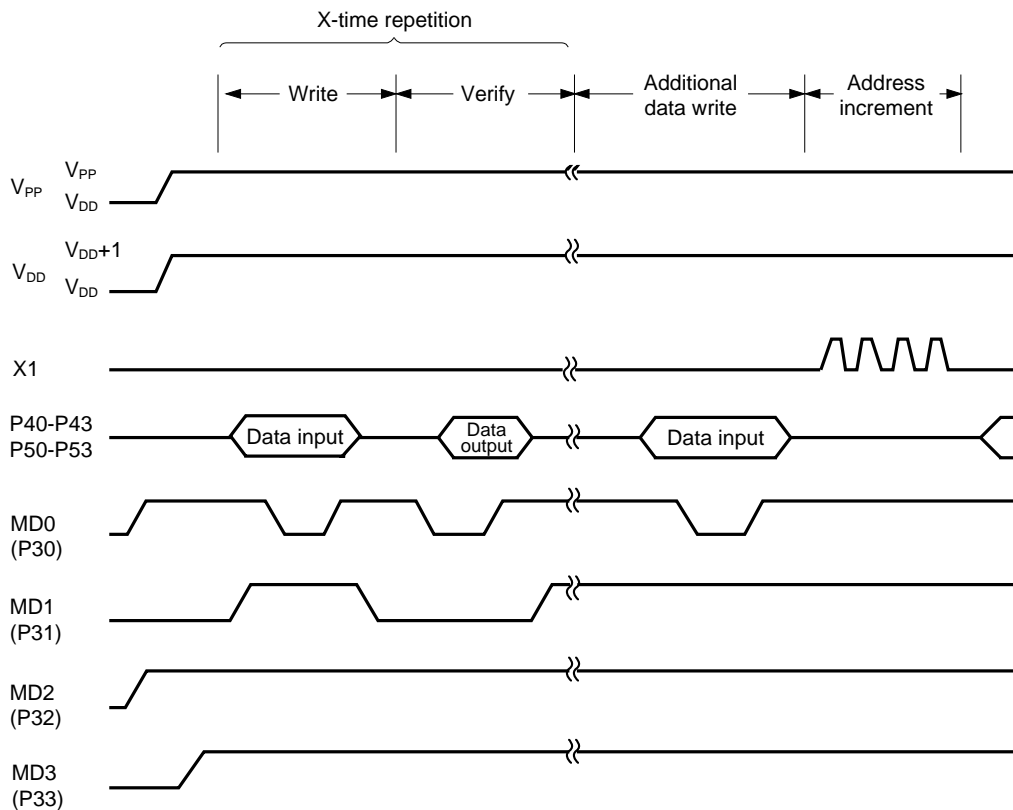
x: L or H

**3.2 Program Memory Write Procedure**

The program memory write procedure is as follows. High-speed program memory write is possible.

- (1) Connect the unused pins to V<sub>SS</sub> via pull-down resistors. The X1 pin must be low.
- (2) Supply 5 V to the V<sub>DD</sub> and V<sub>PP</sub> pins.
- (3) Wait for 10 μs.
- (4) Set program memory address 0 clear mode.
- (5) Supply 6 V to the V<sub>DD</sub> pin and 12.5 V to the V<sub>PP</sub> pin.
- (6) Set program inhibit mode.
- (7) Write data in 1 ms write mode.
- (8) Set program inhibit mode.
- (9) Set verify mode. If data has been written connectly, proceed to step (10). If data has not yet been written, repeat steps (7) to (9).
- (10) Write additional data for (the number of times data was written (X) in steps (7) to (9)) times 1 ms.
- (11) Set program inhibit mode.
- (12) Supply a pulse to the X1 pin four times to update the program memory address by 1.
- (13) Repeat steps (7) to (12) to the last address.
- (14) Set program memory address 0 clear mode.
- (15) Change the voltages of V<sub>DD</sub> and V<sub>PP</sub> pins to 5 V.
- (16) Turn off the power supply.

Steps (2) to (12) are illustrated below.

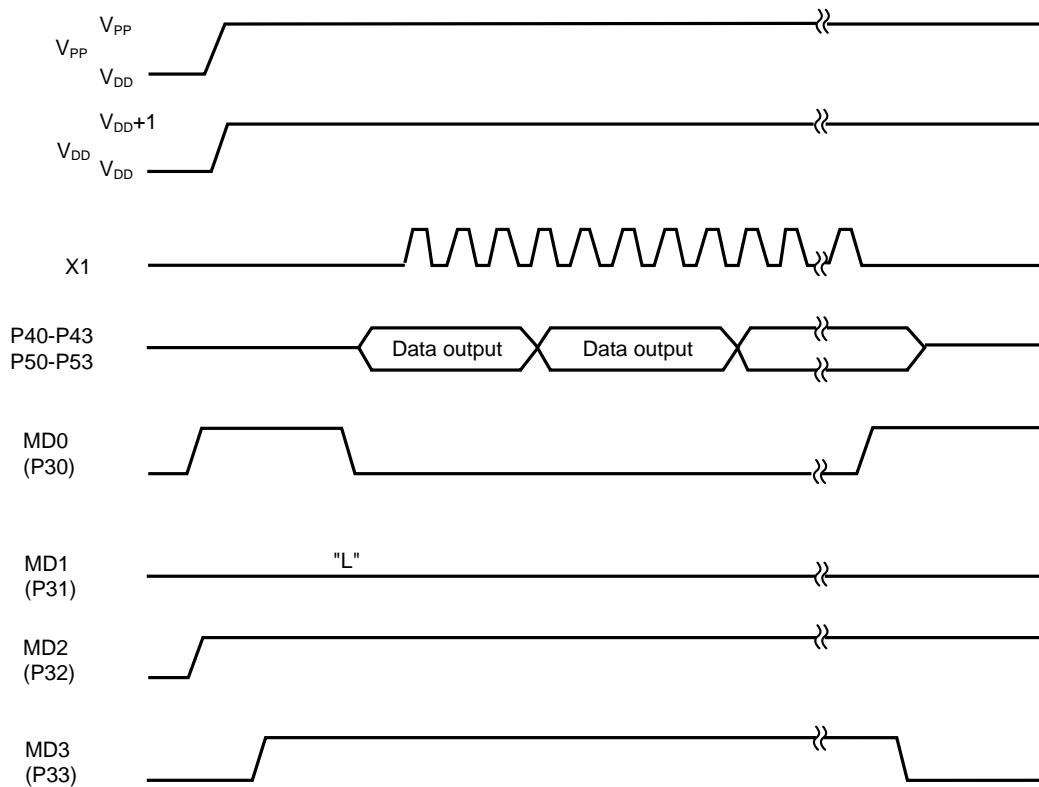


**3.3 Program Memory Read Procedure**

The μPD 75P036 program memory contents can be read in the following procedure. Read operation should be performed in the verify mode.

- (1) Connect the unused pins to V<sub>SS</sub> via pull-down resistors. The X1 pin must be low.
- (2) Supply 5 V to the V<sub>DD</sub> and V<sub>PP</sub> pins.
- (3) Wait for 10 μs.
- (4) Set program memory address 0 clear mode.
- (5) Supply 6 V to the V<sub>DD</sub> pin and 12.5 V to the V<sub>PP</sub> pin.
- (6) Set program inhibit mode.
- (7) Set verify mode. Data of each address is sequentially output each time a clock pulse is input to the X1 pin four times.
- (8) Set program inhibit mode.
- (9) Set program memory address 0 clear mode.
- (10) Change the voltages of V<sub>DD</sub> and V<sub>PP</sub> pins to 5 V.
- (11) Turn off the power supply.

Steps (2) to (9) are illustrated below.



★ **3.4 Erasure ( $\mu$ PD75P036KG only)**

The contents of the data programmed to the  $\mu$ PD75P036 can be erased by exposing the window to ultraviolet rays.

The wavelength of the ultraviolet rays used to erase the contents is about 250 nm, and the quantity of the ultraviolet rays necessary for complete erasure is  $15 \text{ W}\cdot\text{s}/\text{cm}^2$  (= ultraviolet ray intensity x erasure time).

When a commercially available ultraviolet ray lamp (wavelength: 254 nm, intensity:  $12 \text{ mW}/\text{cm}^2$ ) is used, about 15 to 20 minutes is required.

**Cautions 1. The contents of the program memory may be erased if the  $\mu$ PD75P036 is exposed for a long time to direct sunlight or a fluorescent light. To protect the contents from being erased, mask the window with the opaque film. NEC attaches quality-tested opaque film to the UV EPROM products for shipping.**

**2. To erase the memory contents, the distance between the ultraviolet ray lamp and the  $\mu$ PD75P036 should be 2.5 cm or less.**

**Remark** The time required for erasure changes depending on the degradation of the ultraviolet ray lamp and the surface condition (dirt) of the window.

4. ELECTRICAL SPECIFICATIONS

Absolute Maximum Ratings (T<sub>A</sub> = 25 °C)

| Parameter                     | Symbol                          | Test Conditions                              | Ratings                      | Unit |    |
|-------------------------------|---------------------------------|--|------------------------------|------|----|
| Supply voltage                | V <sub>DD</sub>                 |  | -0.3 to +7.0                 | V    |    |
|                               | V <sub>PP</sub>                 |  | -0.3 to +13.5                | V    |    |
| Input voltage                 | V <sub>I1</sub>                 | Other than ports 4, 5, or 10                 | -0.3 to V <sub>DD</sub> +0.3 | V    |    |
|                               | V <sub>I2</sub>                 | Ports 4, 5 and 10      Open-drain            | -0.3 to +11                  | V    |    |
| Output voltage                | V <sub>O</sub>                  |  | -0.3 to V <sub>DD</sub> +0.3 | V    |    |
| Output current, high          | I <sub>OH</sub>                 | Per pin                                      | -10                          | mA   |    |
|                               |                                 | All pins                                     | -30                          | mA   |    |
| Output current, low           | I <sub>OL</sub> <sup>Note</sup> | Ports 0, 3, 4 and 5<br>Per pin               | peak value                   | 30   | mA |
|                               |                                 |  | r.m.s. value                 | 15   | mA |
|                               |                                 | Other than ports<br>0, 3, 4 and 5<br>Per pin | peak value                   | 20   | mA |
|                               |                                 |  | r.m.s. value                 | 5    | mA |
|                               |                                 | Total for ports 0, 3-9, 11                   | peak value                   | 170  | mA |
|                               |                                 |  | r.m.s. value                 | 120  | mA |
|                               |                                 | Total for 0, 2, 10                           | peak value                   | 30   | mA |
|                               |                                 |  | r.m.s. value                 | 20   | mA |
| Operating ambient temperature | T <sub>A</sub>                  |  | -40 to +70                   | °C   |    |
| Storage temperature           | T <sub>stg</sub>                |  | -65 to +150                  | °C   |    |

★

**Note** r.m.s. values should be calculated as follows: [r.m.s. value] = [peak value] × √Duty

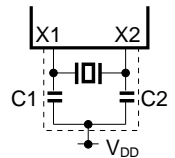
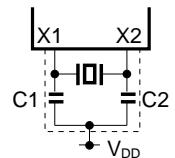
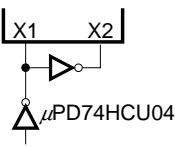
**Caution** Product quality may suffer if the absolute maximum rating is exceeded for even a single parameter, or even momentarily. In other words, the absolute maximum ratings are rated values at which the product is on the verge of suffering physical damage, and therefore the product must be used under conditions which ensure that the absolute maximum ratings are not exceeded.

★

Capacitance (T<sub>A</sub> = 25 °C, V<sub>DD</sub> = 0 V)

| Parameter          | Symbol          | Test Conditions                 | MIN. | TYP. | MAX. | Unit |
|--------------------|-----------------|---------------------------------|------|------|------|------|
| Input capacitance  | C <sub>i</sub>  | f = 1 MHz                       |      |      | 15   | pF   |
| Output capacitance | C <sub>o</sub>  | Unmeasured pins returned to 0 V |      |      | 15   | pF   |
| I/O capacitance    | C <sub>iO</sub> |                                 |      |      | 15   | pF   |

**Main System Clock Oscillator Characteristics** ( $T_A = -40$  to  $+70$  °C,  $V_{DD} = 2.7$  to  $6.0$  V)

| Resonator         | Recommended Constants   | Parameter   | Test Conditions  | MIN. | TYP. | MAX.                  | Unit |
|-------------------|---|---|--|------|------|-----------------------|------|
| Ceramic resonator |  | Oscillation frequency ( $f_x$ ) <sup>Note 1</sup>           | $V_{DD}$ = Oscillation voltage range                     | 2.0  |      | 5.0 <sup>Note 3</sup> | MHz  |
|                   |   | Oscillation stabilization time <sup>Note 2</sup>            | After $V_{DD}$ came to MIN. of oscillation voltage range |      |      | 4                     | ms   |
| Crystal resonator |  | Oscillation frequency ( $f_x$ ) <sup>Note 1</sup>           |  | 2.0  | 4.19 | 5.0 <sup>Note 3</sup> | MHz  |
|                   |   | Oscillation stabilization time <sup>Note 2</sup>            | $V_{DD} = 4.5$ to $6.0$ V                                |      |      | 10                    | ms   |
|                   |   |   |  |      |      |                       | 30   |
| External clock    |  | X1 input frequency ( $f_x$ ) <sup>Note 1</sup>              |  | 2.0  |      | 5.0 <sup>Note 3</sup> | MHz  |
|                   |   | X1 input high- and low-level widths ( $t_{xH}$ , $t_{xL}$ ) |  | 100  |      | 250                   | ns   |

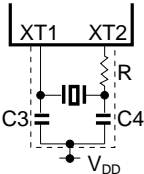
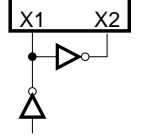
- Notes**
1. The oscillation frequency and X1 input frequency are indicated only to express the characteristics of the oscillator. For instruction execution time, refer to AC Characteristics.
  2. Time required for oscillation to stabilize after  $V_{DD}$  reaches the minimum value of the oscillation voltage range or the STOP mode has been released.
  3. When the oscillation frequency is  $4.19 \text{ MHz} < f_x \leq 5.0 \text{ MHz}$ , do not select PCC = 0011 as the instruction execution time: otherwise, one machine cycle is set to less than  $0.95 \mu\text{s}$ , falling short of the rated minimum value of  $0.95 \mu\text{s}$ .

★ **Caution** When using the oscillation circuit of the main system clock, wire the portion enclosed in dotted line in the figures as follows to avoid adverse influences on the wiring capacity:

- Keep the wiring length as short as possible.
- Do not cross the wiring over the other signal lines. Do not route the wiring in the vicinity of lines through which a high alternating current flows.
- Always keep the ground point of the capacitor of the oscillator circuit at the same potential as  $V_{DD}$ . Do not connect the power source pattern through which a high current flows.
- Do not extract signals from the oscillation circuit.



**Subsystem Clock Oscillator Characteristics** ( $T_A = -40$  to  $+70$  °C,  $V_{DD} = 2.7$  to  $6.0$  V)

| Resonator         | Recommended Constants   | Parameter  | Test Conditions           | MIN. | TYP.   | MAX. | Unit |
|-------------------|---|--|---------------------------|------|--------|------|------|
| Crystal resonator |  | Oscillation frequency ( $f_x$ ) <sup>Note 1</sup>        |                           | 32   | 32.768 | 35   | kHz  |
|                   |   | Oscillation stabilization time <sup>Note 2</sup>         | $V_{DD} = 4.5$ to $6.0$ V |      | 1.0    | 2    | s    |
| External clock    |  | X1 input frequency ( $f_x$ ) <sup>Note 1</sup>           |                           | 32   |        | 100  | kHz  |
|                   |   | X1 input high-, low-level widths ( $t_{xH}$ , $t_{xL}$ ) |                           | 5    |        | 15   | μs   |

- Notes**
1. The oscillation frequency and XT1 input frequency are indicated only to express the characteristics of the oscillator. For instruction execution time, refer to AC Characteristics.
  2. Time required for oscillation to stabilize after  $V_{DD}$  reaches the minimum value of the oscillation voltage range.

**Cautions** When using the oscillation circuit of the main system clock, wire the portion enclosed in dotted line in the figures as follows to avoid adverse influences on the wiring capacity: ★

- Keep the wiring length as short as possible.
- Do not cross the wiring over the other signal lines. Do not route the wiring in the vicinity of lines through which a high alternating current flows.
- Always keep the ground point of the capacitor of the oscillator circuit at the same potential as  $V_{DD}$ . Do not connect the power source pattern through which a high current flows.
- Do not extract signals from the oscillation circuit.

The amplification factor of the subsystem clock oscillation circuit is designed to be low to reduce the current dissipation and therefore, the subsystem clock circuit is influenced by noise more easily than the main system clock oscillation circuit. When using th subsystem clock, therefore, exercise utmost care in wiring the circuit.

DC Characteristics (T<sub>A</sub> = -40 to +70 °C, V<sub>DD</sub> = 2.7 to 6.0 V)

| Parameter                   | Symbol            | Test Conditions  | MIN.                           | TYP. | MAX.               | Unit |    |
|-----------------------------|-------------------|--|--------------------------------|------|--------------------|------|----|
| Input voltage, high         | V <sub>IH1</sub>  | Ports 2, 3, 8, 9, 11   | 0.7V <sub>DD</sub>             |      | V <sub>DD</sub>    | V    |    |
|                             | V <sub>IH2</sub>  | Ports 0, 1, 6, 7, $\overline{\text{RESET}}$                                      | 0.8V <sub>DD</sub>             |      | V <sub>DD</sub>    | V    |    |
|                             | V <sub>IH3</sub>  | Ports 4, 5, 10   Open-drain  | 0.7V <sub>DD</sub>             |      | 10                 | V    |    |
|                             | V <sub>IH4</sub>  | X1, X2, XT1, XT2   | V <sub>DD</sub> -0.5           |      | V <sub>DD</sub>    | V    |    |
| Input voltage, low          | V <sub>IL1</sub>  | Ports 2 to 5, 8 to 11  | 0                              |      | 0.3V <sub>DD</sub> | V    |    |
|                             | V <sub>IL2</sub>  | Ports 0, 1, 6, 7, $\overline{\text{RESET}}$                                      | 0                              |      | 0.2V <sub>DD</sub> | V    |    |
|                             | V <sub>IL3</sub>  | X1, X2, XT1, XT2   | 0                              |      | 0.4                | V    |    |
| Output voltage, high        | V <sub>OH</sub>   | V <sub>DD</sub> = 4.5 to 6.0 V, I <sub>OH</sub> = -1 mA                          | V <sub>DD</sub> -1.0           |      |                    | V    |    |
|                             |                   | I <sub>OH</sub> = -100 μA  | V <sub>DD</sub> -0.5           |      |                    | V    |    |
| Output voltage, low         | V <sub>OL</sub>   | Ports 3, 4, 5   V <sub>DD</sub> = 4.5 to 6.0 V, I <sub>OL</sub> = 15 mA          |                                | 0.4  | 2.0                | V    |    |
|                             |                   | V <sub>DD</sub> = 4.5 to 6.0 V, I <sub>OL</sub> = 1.6 mA                         |                                |      | 0.4                | V    |    |
|                             |                   | I <sub>OL</sub> = 400 μA   |                                |      | 0.5                | V    |    |
|                             |                   | SB0, 1   Open-drain<br>Pull-up Resistor ≥ 1 kΩ                                   |                                |      | 0.2V <sub>DD</sub> | V    |    |
| Input leakage current, high | I <sub>LIH1</sub> | V <sub>I</sub> = V <sub>DD</sub>   | Other than below               |      | 3                  | μA   |    |
|                             | I <sub>LIH2</sub> |  | X1, X2, XT1, XT2               |      | 20                 | μA   |    |
|                             | I <sub>LIH3</sub> | V <sub>I</sub> = 9 V   | Ports 4, 5, 10<br>(Open-drain) |      | 20                 | μA   |    |
| Input leakage current, low  | I <sub>LIL1</sub> | V <sub>I</sub> = 0 V   | Other than below               |      | -3                 | μA   |    |
|                             | I <sub>LIL2</sub> |  | X1, X2, XT1, XT2               |      | -20                | μA   |    |
| Input leakage current, high | I <sub>LOH1</sub> | V <sub>O</sub> = V <sub>DD</sub>   |                                |      | 3                  | μA   |    |
|                             | I <sub>LOH2</sub> | V <sub>O</sub> = 9 V   | Ports 4, 5, 10<br>(Open-drain) |      | 20                 | μA   |    |
| Input leakage current, low  | I <sub>LOL</sub>  | V <sub>O</sub> = 0 V   |                                |      | -3                 | μA   |    |
| Internal pull-up resistor   | R <sub>UI</sub>   | Ports 0, 1, 2,<br>3, 6, 7, 8<br>(except P00)<br>V <sub>I</sub> = V <sub>DD</sub> | V <sub>DD</sub> = 5.0 V ± 10 % | 15   | 40                 | 80   | kΩ |
|                             |                   |  | V <sub>DD</sub> = 3.0 V ± 10 % | 30   |                    | 300  | kΩ |
| Internal pull-down resistor | R <sub>D</sub>    | Port 9<br>V <sub>I</sub> = V <sub>DD</sub>                                       | V <sub>DD</sub> = 5.0 V ± 10 % | 10   | 40                 | 70   | kΩ |
|                             |                   |  | V <sub>DD</sub> = 3.0 V ± 10 % | 10   |                    | 60   | kΩ |

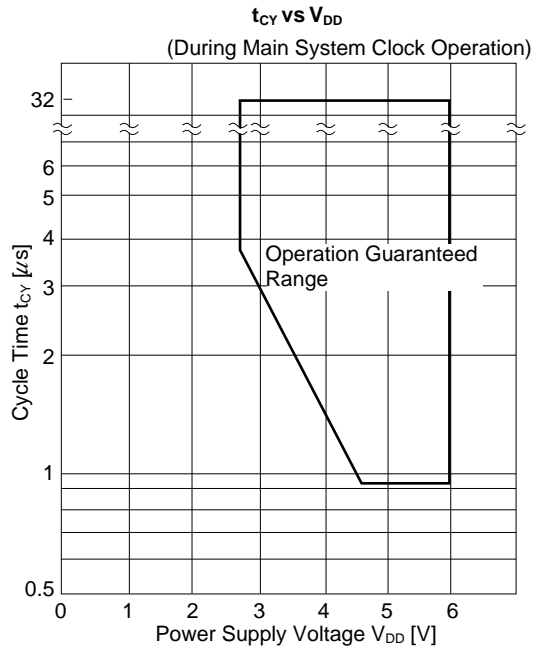
| Parameter                        | Symbol  | Test Conditions                                 | MIN.  | TYP.                        | MAX. | Unit |     |      |    |
|----------------------------------|---|---|---|-----------------------------|------|------|-----|------|----|
| Supply current <sup>Note 1</sup> | I <sub>DD1</sub>                              | 4.19 MHz  | V <sub>DD</sub> = 5 V ± 10% <sup>Note 3</sup> |                             |      | 4.5  | 14  | mA   |    |
|                                  |   | Crystal   | V <sub>DD</sub> = 3 V ± 10% <sup>Note 4</sup> |                             |      | 0.9  | 3   | mA   |    |
|                                  | I <sub>DD2</sub>                              | oscillator <sup>Note 2</sup><br>C1 = C2 = 22 pF | HALT  | V <sub>DD</sub> = 5 V ± 10% |      |      | 700 | 2100 | μA |
|                                  |   |   | mode  | V <sub>DD</sub> = 3 V ± 10% |      |      | 300 | 900  | μA |
|                                  | I <sub>DD3</sub>                              | 32.768 kHz<br>Crystal                           | Operating<br>mode                             | V <sub>DD</sub> = 3 V ± 10% |      |      | 100 | 300  | μA |
|                                  | I <sub>DD4</sub>                              | oscillator <sup>Note 5</sup>                    | HALT<br>mode                                  | V <sub>DD</sub> = 3 V ± 10% |      |      | 20  | 60   | μA |
|                                  | I <sub>DD5</sub>                              | XT1 = 0 V<br>STOP mode                          | V <sub>DD</sub> = 5 V ± 10%                   |                             |      | 0.5  | 20  | μA   |    |
|                                  |   |   | V <sub>DD</sub> =<br>3 V ± 10%                |                             |      |      | 0.1 | 10   | μA |
| T <sub>A</sub> = 25°C            |   |   |   |                             | 0.1  | 5    | μA  |      |    |
| I <sub>DD6</sub>                 | 32.768 kHz<br>Crystal oscillator<br>STOP mode | V <sub>DD</sub> = 3 V ± 10% <sup>Note 6</sup>   |   |                             | 5    | 15   | μA  |      |    |

- Notes**
1. Currents for the internal pull-up resistor are not included.
  2. Including when the subsystem clock is operated.
  3. High-speed mode operation (when processor clock control register (PCC) is set to 0011).
  4. Low-speed mode operation (when PCC is set to 0000).
  5. When operated with the subsystem clock by setting the system clock control register (SCC) to SCC3 = 1 and SCC0 = 0 to stop the main system clock operation.
  6. When subsystem clock is operated by executing STOP instruction during main system clock operation.

**AC CHARACTERISTICS** ( $T_A = -40$  to  $+70$  °C,  $V_{DD} = 2.7$  to  $6.0$  V)

| Parameter  | Symbol       | Conditions                     | MIN.                      | TYP. | MAX. | Unit |     |
|--|--------------|--------------------------------|---------------------------|------|------|------|-----|
| CPU clock cycle time <sup>Note 1</sup><br>(minimum instruction execution time = 1 machine cycle) | $t_{CY}$     | Operating on main system clock | $V_{DD} = 4.5$ to $6.0$ V | 0.95 |      | 32   | μs  |
|  |              |                                |                           | 3.8  |      | 32   | μs  |
|  |              | Operating on subsystem clock   |                           | 114  | 122  | 125  | μs  |
| T10 input frequency  | $f_{TI}$     | $V_{DD} = 4.5$ to $6.0$ V      |                           |      | 1    | MHz  |     |
|  |              |                                |                           | 0    |      | 275  | kHz |
| T10 input high-, low-level widths  | $t_{TIH}$ ,  | $V_{DD} = 4.5$ to $6.0$ V      |                           | 0.48 |      | μs   |     |
|  | $t_{TIL}$    |                                |                           | 1.8  |      | μs   |     |
| Interrupt input high-, low-level widths  | $t_{INTH}$ , | INT0                           | <b>Note 2</b>             |      |      | μs   |     |
|  | $t_{INTL}$   | INT1, 2, 4                     | 10                        |      |      | μs   |     |
|  |              | KR0 - 7                        | 10                        |      |      | μs   |     |
| RESET low-level width  | $t_{RSL}$    |                                | 10                        |      |      | μs   |     |

- Notes 1.** The CPU clock ( $\Phi$ ) cycle time is determined by the oscillation frequency of the connected oscillator, system clock control register (SCC), and processor clock control register (PCC). The figure on the right is cycle time  $t_{CY}$  vs. supply voltage  $V_{DD}$  characteristics at the main system clock.
- 2.**  $2t_{CY}$  or  $128/f_x$  depending on the setting of the interrupt mode register (IM0).



**SERIAL TRANSFER OPERATION**

**Two-Wire and Three-Wire Serial I/O Modes ( $\overline{\text{SCK}}$ : internal clock output)**

| Parameter  | Symbol                               | Test Conditions  | MIN.  | TYP. | MAX. | Unit |
|--|--------------------------------------|--|---|------|------|------|
| $\overline{\text{SCK}}$ cycle time                           | $t_{\text{KCY1}}$                    | $V_{\text{DD}} = 4.5 \text{ to } 6.0 \text{ V}$  | 1600  |      |      | ns   |
|  |                                      |  | 3800  |      |      | ns   |
| $\overline{\text{SCK}}$ high-, low-level widths              | $t_{\text{KL1}}$<br>$t_{\text{KH1}}$ | $V_{\text{DD}} = 4.5 \text{ to } 6.0 \text{ V}$  | $(t_{\text{KCY1}}/2)-50$                        |      |      | ns   |
|  |                                      |  | $(t_{\text{KCY1}}/2)-150$                       |      |      | ns   |
| SI setup time (to $\overline{\text{SCK}} \downarrow$ )       | $t_{\text{SIK1}}$                    |  | 150   |      |      | ns   |
| SI hold time (from $\overline{\text{SCK}} \uparrow$ )        | $t_{\text{KSI1}}$                    |  | 400   |      |      | ns   |
| SO output delay time from $\overline{\text{SCK}} \downarrow$ | $t_{\text{KSO1}}$                    | $R_{\text{L}} = 1 \text{ k}\Omega,$<br>$C_{\text{L}} = 100 \text{ pF}$ <small>Note</small> | $V_{\text{DD}} = 4.5 \text{ to } 6.0 \text{ V}$ |      | 250  | ns   |
|  |                                      |  |   | 0    |      | 1000 |

★  
★

**Two-Wire and Three-Wire Serial I/O Modes ( $\overline{\text{SCK}}$ : external clock input)**

| Parameter  | Symbol                               | Test Conditions  | MIN.  | TYP. | MAX. | Unit |
|--|--------------------------------------|--|---|------|------|------|
| $\overline{\text{SCK}}$ cycle time                           | $t_{\text{KCY2}}$                    | $V_{\text{DD}} = 4.5 \text{ to } 6.0 \text{ V}$  | 800   |      |      | ns   |
|  |                                      |  | 3200  |      |      | ns   |
| $\overline{\text{SCK}}$ high-, low-level widths              | $t_{\text{KL2}}$<br>$t_{\text{KH2}}$ | $V_{\text{DD}} = 4.5 \text{ to } 6.0 \text{ V}$  | 400   |      |      | ns   |
|  |                                      |  | 1600  |      |      | ns   |
| SI setup time (to $\overline{\text{SCK}} \downarrow$ )       | $t_{\text{SIK2}}$                    |  | 100   |      |      | ns   |
| SI hold time (from $\overline{\text{SCK}} \uparrow$ )        | $t_{\text{KSI2}}$                    |  | 400   |      |      | ns   |
| SO output delay time from $\overline{\text{SCK}} \downarrow$ | $t_{\text{KSO2}}$                    | $R_{\text{L}} = 1 \text{ k}\Omega,$<br>$C_{\text{L}} = 100 \text{ pF}$ <small>Note</small> | $V_{\text{DD}} = 4.5 \text{ to } 6.0 \text{ V}$ |      | 300  | ns   |
|  |                                      |  |   | 0    |      | 1000 |

★  
★

**Note**  $R_{\text{L}}$  and  $C_{\text{L}}$  are load resistance and load capacitance of the SO output line.

**SBI Mode ( $\overline{\text{SCK}}$ : internal clock output (master))**

| Parameter  | Symbol                               | Test Conditions   | MIN.  | TYP. | MAX. | Unit |
|--|--------------------------------------|---|---|------|------|------|
| $\overline{\text{SCK}}$ cycle time                               | $t_{\text{KCY3}}$                    | $V_{\text{DD}} = 4.5 \text{ to } 6.0 \text{ V}$   | 1600  |      |      | ns   |
|  |                                      |   | 3800  |      |      | ns   |
| $\overline{\text{SCK}}$ high-/low-level widths                   | $t_{\text{KL3}}$<br>$t_{\text{KH3}}$ | $V_{\text{DD}} = 4.5 \text{ to } 6.0 \text{ V}$   | $(t_{\text{KCY3}}/2) - 50$                      |      |      | ns   |
|  |                                      |   | $(t_{\text{KCY3}}/2) - 150$                     |      |      | ns   |
| SB0, 1 Setup time (to $\overline{\text{SCK}} \uparrow$ )         | $t_{\text{SIK3}}$                    |   | 150   |      |      | ns   |
| SB0, 1 hold time (from $\overline{\text{SCK}} \uparrow$ )        | $t_{\text{KSI3}}$                    |   | $t_{\text{KCY3}}/2$                             |      |      | ns   |
| SB0, 1 output delay time from $\overline{\text{SCK}} \downarrow$ | $t_{\text{KSO3}}$                    | $R_{\text{L}} = 1 \text{ k}\Omega$ ,<br>$C_{\text{L}} = 100 \text{ pF}$ <sup>Note</sup> | $V_{\text{DD}} = 4.5 \text{ to } 6.0 \text{ V}$ |      | 250  | ns   |
|  |                                      |   |   | 0    | 1000 | ns   |
| SB0, 1 $\downarrow$ from $\overline{\text{SCK}} \uparrow$        | $t_{\text{KSB}}$                     |   | $t_{\text{KCY3}}$                               |      |      | ns   |
| $\overline{\text{SCK}} \downarrow$ from SB0, 1 $\downarrow$      | $t_{\text{SBK}}$                     |   | $t_{\text{KCY3}}$                               |      |      | ns   |
| SB0, 1 low-level width   | $t_{\text{SBL}}$                     |   | $t_{\text{KCY3}}$                               |      |      | ns   |
| SB0, 1 high-level width  | $t_{\text{SBH}}$                     |   | $t_{\text{KCY3}}$                               |      |      | ns   |

**SBI Mode ( $\overline{\text{SCK}}$ : external clock output (master))**

| Parameter  | Symbol                               | Test Conditions   | MIN.  | TYP. | MAX. | Unit |
|--|--------------------------------------|---|---|------|------|------|
| $\overline{\text{SCK}}$ cycle time                               | $t_{\text{KCY4}}$                    | $V_{\text{DD}} = 4.5 \text{ to } 6.0 \text{ V}$   | 800   |      |      | ns   |
|  |                                      |   | 3200  |      |      | ns   |
| $\overline{\text{SCK}}$ high-/low-level widths                   | $t_{\text{KL4}}$<br>$t_{\text{KH4}}$ | $V_{\text{DD}} = 4.5 \text{ to } 6.0 \text{ V}$   | 400   |      |      | ns   |
|  |                                      |   | 1600  |      |      | ns   |
| SB0, 1 setup time (to $\overline{\text{SCK}} \uparrow$ )         | $t_{\text{SIK4}}$                    |   | 100   |      |      | ns   |
| SB0, 1 hold time (from $\overline{\text{SCK}} \uparrow$ )        | $t_{\text{KSI4}}$                    |   | $t_{\text{KCY4}}/2$                             |      |      | ns   |
| SB0, 1 output delay time from $\overline{\text{SCK}} \downarrow$ | $t_{\text{KSO4}}$                    | $R_{\text{L}} = 1 \text{ k}\Omega$ ,<br>$C_{\text{L}} = 100 \text{ pF}$ <sup>Note</sup> | $V_{\text{DD}} = 4.5 \text{ to } 6.0 \text{ V}$ |      | 300  | ns   |
|  |                                      |   |   | 0    | 1000 | ns   |
| SB0, 1 $\downarrow$ from $\overline{\text{SCK}} \uparrow$        | $t_{\text{KSB}}$                     |   | $t_{\text{KCY4}}$                               |      |      | ns   |
| $\overline{\text{SCK}} \downarrow$ from SB0, 1 $\downarrow$      | $t_{\text{SBK}}$                     |   | $t_{\text{KCY4}}$                               |      |      | ns   |
| SB0, 1 low-level width   | $t_{\text{SBL}}$                     |   | $t_{\text{KCY4}}$                               |      |      | ns   |
| SB0, 1 high-level width  | $t_{\text{SBH}}$                     |   | $t_{\text{KCY4}}$                               |      |      | ns   |

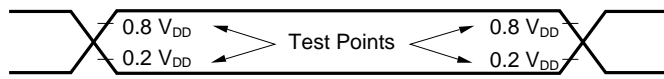
**Note**  $R_{\text{L}}$  and  $C_{\text{L}}$  are load resistance and load capacitance of the SO output line.

**A/D Converter** ( $T_A = -40$  to  $+70^\circ\text{C}$ ,  $V_{DD} = 2.7$  to  $6.0$  V,  $AV_{SS} = V_{SS} = 0$  V)

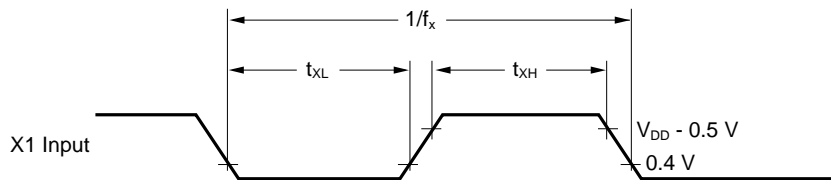
| Parameter                                 | Symbol             | Test conditions                               | MIN.                                  | TYP. | MAX.             | Unit      |     |
|---|--------------------|---|---------------------------------------|------|------------------|-----------|-----|
| Resolution                                |                    |   | 8                                     | 8    | 8                | bit       |     |
| Absolute accuracy <sup>Note 1</sup>       |                    | $2.5\text{ V} \leq AV_{REF+} \leq AV_{DD}$    | $-10 \leq T_A \leq 70^\circ\text{C}$  |      |                  | $\pm 1.5$ | LSB |
|   |                    |   | $-40 \leq T_A \leq -10^\circ\text{C}$ |      |                  | $\pm 2.0$ | LSB |
| Conversion time <sup>Note 2</sup>         | t <sub>CONV</sub>  |   |                                       |      | $168/f_x$        | μs        |     |
| Sampling time <sup>Note 3</sup>           | t <sub>SAMP</sub>  |   |                                       |      | $44/f_x$         | μs        |     |
| Analog input voltage                      | V <sub>IAN</sub>   |   | $AV_{REF-}$                           |      | $AV_{REF+}$      | V         |     |
| Analog supply voltage                     | AV <sub>DD</sub>   |   | 2.5                                   |      | V <sub>DD</sub>  | V         |     |
| Reference input voltage <sup>Note 4</sup> | AV <sub>REF+</sub> | $2.5\text{ V} \leq (AV_{REF+}) - (AV_{REF-})$ | 2.5                                   |      | AV <sub>DD</sub> | V         |     |
| Reference input voltage <sup>Note 4</sup> | AV <sub>REF-</sub> | $2.5\text{ V} \leq (AV_{REF+}) - (AV_{REF-})$ | 0                                     |      | 1.0              | V         |     |
| Analog input high impedance               | R <sub>AN</sub>    |   |                                       | 1000 |                  | MΩ        |     |
| AV <sub>REF</sub> current                 | AI <sub>REF</sub>  |   |                                       | 0.35 | 2.0              | mA        |     |

- Notes**
1. Absolute accuracy from which quantization error ( $\pm 1/2$  LSB) is removed.
  2. Time until conversion end (EOC = 1) after conversion start instruction execution (40.1 μs: Operation at  $f_x = 4.19$  MHz).
  3. Time until sampling end after conversion start instruction execution (10.5 μs: Operation at  $f_x = 4.19$  MHz).
  4.  $(AV_{REF+}) - (AV_{REF-})$  should be 2.5 V or more.

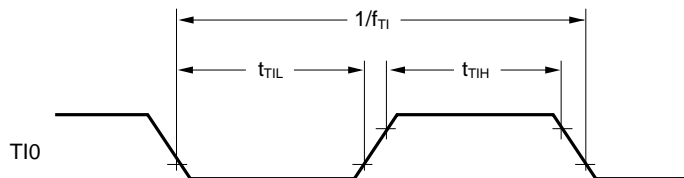
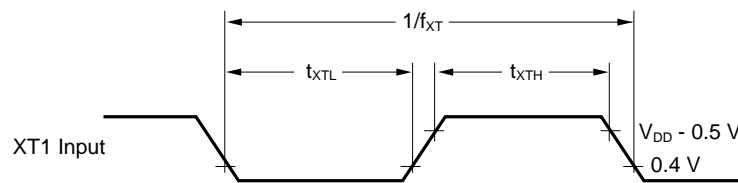
AC Timing Test Point (excluding X1 and XT1 inputs)



Clock Timing



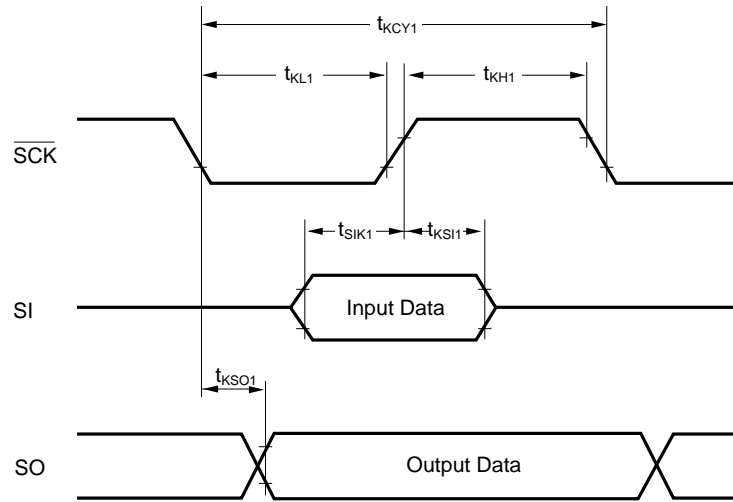
T10 Timing



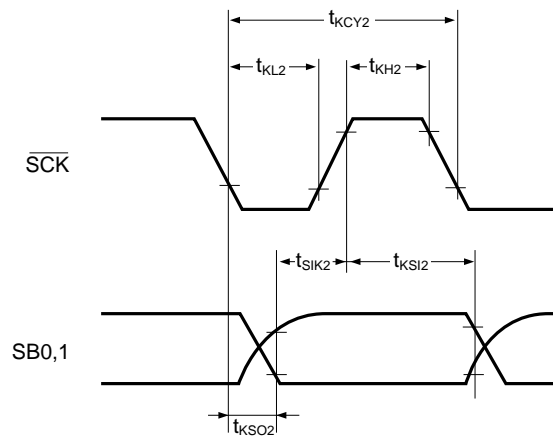


Serial Transfer Timing

Three-Wire Serial I/O Mode:

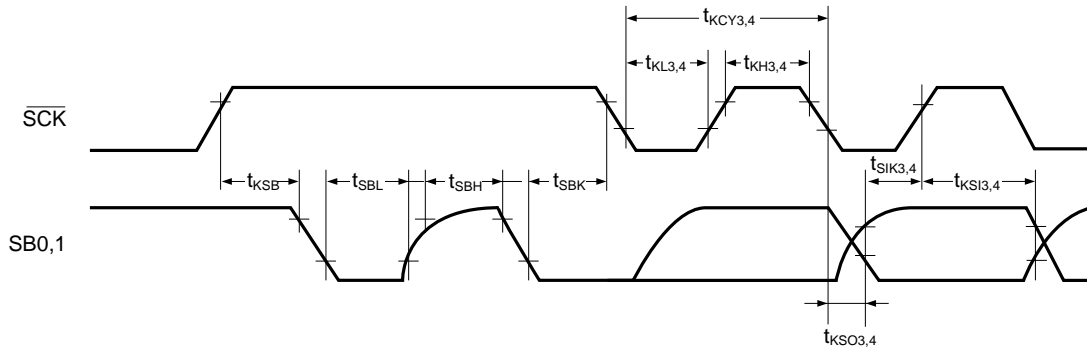


Two-Wire Serial I/O Mode:

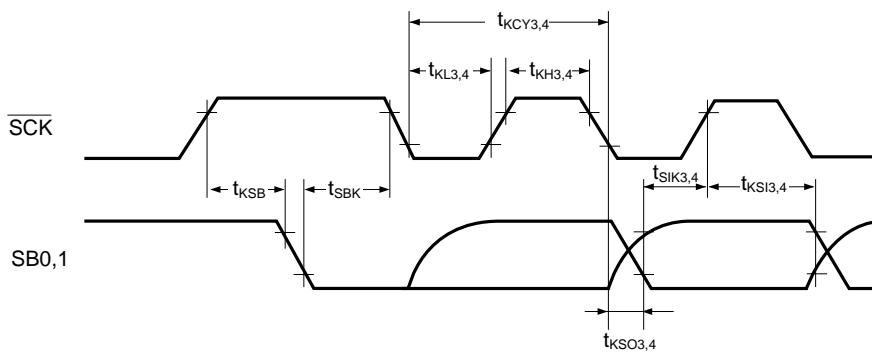


Serial Transfer Timing

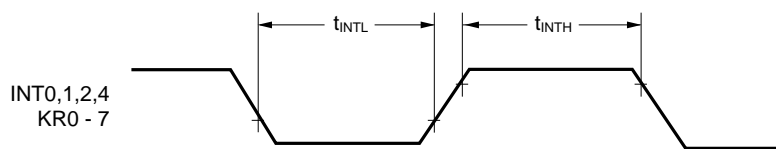
Bus Release Signal Transfer



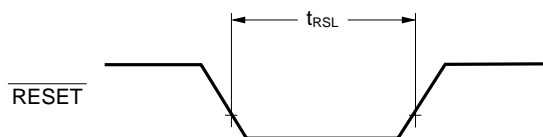
Command Signal Transfer



Interrupt Input Timing



RESET Input Timing



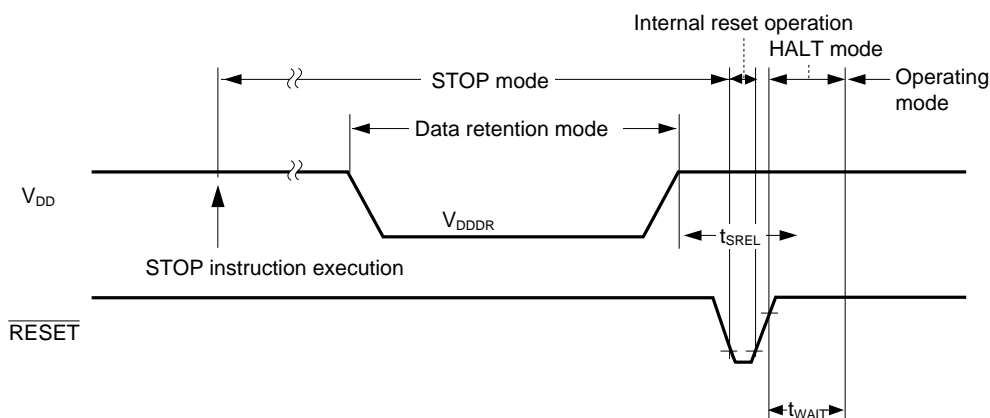
**Data Memory STOP Mode: Low-voltage Data Retention Characteristics** (T<sub>A</sub> = -40 to +70 °C)

| Parameter   | Symbol            | Test Conditions           | MIN. | TYP.                            | MAX. | Unit |
|---|-------------------|---------------------------|------|---------------------------------|------|------|
| Data retention supply voltage                         | V <sub>DDDR</sub> |                           | 2.0  |                                 | 6.0  | V    |
| Data retention supply current <sup>Note 1</sup>       | I <sub>DDDR</sub> | V <sub>DDDR</sub> = 2.0 V |      | 0.1                             | 10   | μA   |
| Release signal set time                               | t <sub>SREL</sub> |                           | 0    |                                 |      | μs   |
| Oscillation stabilization wait time <sup>Note 2</sup> | t <sub>WAIT</sub> | Released by RESET         |      | 2 <sup>17</sup> /f <sub>x</sub> |      | ms   |
|   |                   | Released by interrupt     |      | <b>Note 3</b>                   |      | ms   |

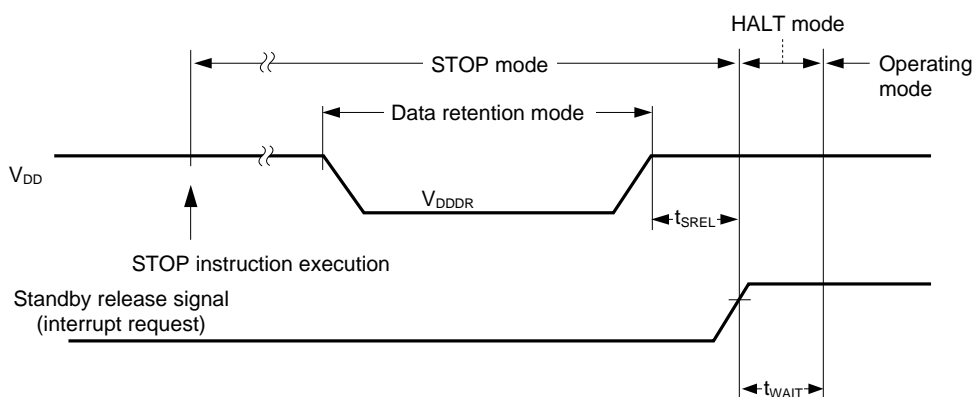
- Notes**
- Does not include current in the internal pull-up resistor
  - The oscillation stabilization wait time is the time during which the CPU is stopped to prevent unstable operation when oscillation is started.
  - Depends on the setting of the basic interval timer mode register (BTM) as follows:

| BTM3 | BTM2 | BTM1 | BTM0 | WAIT time ( ) : f <sub>x</sub> = 4.19 MHz         |
|------|------|------|------|---|
| —    | 0    | 0    | 0    | 2 <sup>20</sup> /f <sub>x</sub> (approx. 250 ms)  |
| —    | 0    | 1    | 1    | 2 <sup>17</sup> /f <sub>x</sub> (approx. 31.3 ms) |
| —    | 1    | 0    | 1    | 2 <sup>15</sup> /f <sub>x</sub> (approx. 7.82 ms) |
| —    | 1    | 1    | 1    | 2 <sup>13</sup> /f <sub>x</sub> (approx. 1.95 ms) |

**Data Retention Timing (releasing STOP mode by RESET)**



**Data Retention Timing (standby release signal: releasing STOP mode by interrupt)**



★ **DC Programming Characteristics** ( $T_A = 25 \pm 5 \text{ }^\circ\text{C}$ ,  $V_{DD} = 6.0 \pm 0.25 \text{ V}$ ,  $V_{PP} = 12.5 \pm 0.3 \text{ V}$ ,  $V_{SS} = 0 \text{ V}$ )

| Parameter               | Symbol    | Test Conditions                 | MIN.         | TYP. | MAX.        | Unit |
|-------------------------|-----------|---------------------------------|--------------|------|-------------|------|
| Input voltage, high     | $V_{IH1}$ | Other than X1 or X2             | $0.7V_{DD}$  |      | $V_{DD}$    | V    |
|                         | $V_{IH2}$ | X1 and X2                       | $V_{DD}-0.5$ |      | $V_{DD}$    | V    |
| Input voltage, low      | $V_{IL1}$ | Other than X1 or X2             | 0            |      | $0.3V_{DD}$ | V    |
|                         | $V_{IL2}$ | X1 and X2                       | 0            |      | 0.4         | V    |
| Input leakage current   | $I_{LI}$  | $V_{IN} = V_{IL}$ or $V_{IH}$   |              |      | 10          | μA   |
| Output voltage, high    | $V_{OH}$  | $I_{OH} = -1 \text{ mA}$        | $V_{DD}-1.0$ |      |             | V    |
| Output voltage, low     | $V_{OL}$  | $I_{OL} = 1.6 \text{ mA}$       |              |      | 0.4         | V    |
| $V_{DD}$ supply current | $I_{DD}$  |                                 |              |      | 30          | mA   |
| $V_{PP}$ supply current | $I_{PP}$  | MD0 = $V_{IL}$ , MD1 = $V_{IH}$ |              |      | 30          | mA   |

**Cautions 1.**  $V_{PP}$  must not exceed +13.5 V, including the overshoot.

**2.** Apply  $V_{DD}$  before  $V_{PP}$  and disconnect it after  $V_{PP}$ .

★ **AC Programming Characteristics** ( $T_A = 25 \pm 5 \text{ }^\circ\text{C}$ ,  $V_{DD} = 6.0 \pm 0.25 \text{ V}$ ,  $V_{PP} = 12.5 \pm 0.3 \text{ V}$ ,  $V_{SS} = 0 \text{ V}$ )

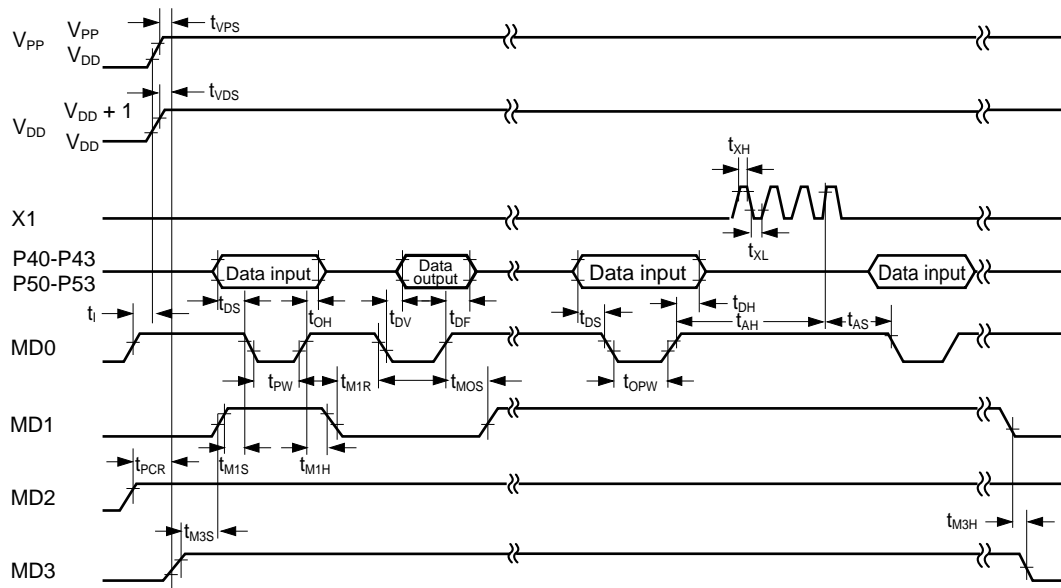
| Parameter   | Symbol              | Note 1    | Test Conditions                                  | MIN.  | TYP. | MAX. | Unit |
|---|---------------------|-----------|--|-------|------|------|------|
| Address setup time <sup>Note 2</sup> (to MD0 ↓)     | $t_{AS}$            | $t_{AS}$  |  | 2     |      |      | μs   |
| MD1 setup time (to MD0 ↓)                           | $t_{M1S}$           | $t_{OES}$ |  | 2     |      |      | μs   |
| Data setup time (to MD0 ↓)                          | $t_{DS}$            | $t_{DS}$  |  | 2     |      |      | μs   |
| Address hold time <sup>Note 2</sup> (from MD0 ↑)    | $t_{AH}$            | $t_{AH}$  |  | 2     |      |      | μs   |
| Data hold time (from MD0 ↑)                         | $t_{DH}$            | $t_{DH}$  |  | 2     |      |      | μs   |
| Data output float delay time from MD0 ↑             | $t_{DF}$            | $t_{DF}$  |  | 0     |      | 130  | ns   |
| $V_{PP}$ setup time (to MD3 ↑)                      | $t_{VPS}$           | $t_{VPS}$ |  | 2     |      |      | μs   |
| $V_{DD}$ setup time (to MD3 ↑)                      | $t_{VDS}$           | $t_{VCS}$ |  | 2     |      |      | μs   |
| Initialized program pulse width                     | $t_{PW}$            | $t_{PW}$  |  | 0.95  | 1.0  | 1.05 | ms   |
| Additional program pulse width                      | $t_{OPW}$           | $t_{OPW}$ |  | 0.95  |      | 21.0 | ms   |
| MD0 setup time (to MD1 ↑)                           | $t_{MOS}$           | $t_{CES}$ |  | 2     |      |      | μs   |
| Data output delay time from MD0 ↓                   | $t_{DV}$            | $t_{DV}$  | MD0 = MD1 = $V_{IL}$                             |       |      | 1    | μs   |
| MD1 hold time (from MD0 ↑)                          | $t_{M1H}$           | $t_{OEH}$ | $t_{M1H} + t_{M1R} \geq 50 \text{ } \mu\text{s}$ | 2     |      |      | μs   |
| MD1 recovery time (from MD0 ↓)                      | $t_{M1R}$           | $t_{OR}$  |  | 2     |      |      | μs   |
| Program counter reset time                          | $t_{PCR}$           | —         |  | 10    |      |      | μs   |
| X1 input high-/low-level width                      | $t_{XH}$ , $t_{XL}$ | —         |  | 0.125 |      |      | μs   |
| X1 input frequency                                  | $f_X$               | —         |  |       |      | 4.19 | MHz  |
| Initial mode set time                               | $t_i$               | —         |  | 2     |      |      | μs   |
| MD3 setup time (to MD1 ↑)                           | $t_{M3S}$           | —         |  | 2     |      |      | μs   |
| MD3 hold time (from MD1 ↓)                          | $t_{M3H}$           | —         |  | 2     |      |      | μs   |
| MD3 setup time (from MD0 ↓)                         | $t_{M3SR}$          | —         | When data is read from program memory            | 2     |      |      | μs   |
| Address <sup>Note 2</sup> to data output delay time | $t_{DAD}$           | $t_{ACC}$ | When data is read from program memory            | 2     |      |      | μs   |
| Address <sup>Note 2</sup> to data output hold time  | $t_{HAD}$           | $t_{OH}$  | When data is read from program memory            | 0     |      | 130  | ns   |
| MD3 hold time (from MD0 ↑)                          | $t_{M3HR}$          | —         | When data is read from program memory            | 2     |      |      | μs   |
| Data output float delay time from MD3 ↓             | $t_{DFR}$           | —         | When data is read from program memory            | 2     |      |      | μs   |

**Notes 1.** These symbols are correspond to μPD27C256A symbols.

**2.** The internal address signal is incremented by 1 at the rising edge of fourth X1 input. The internal address is not connected to any pin.

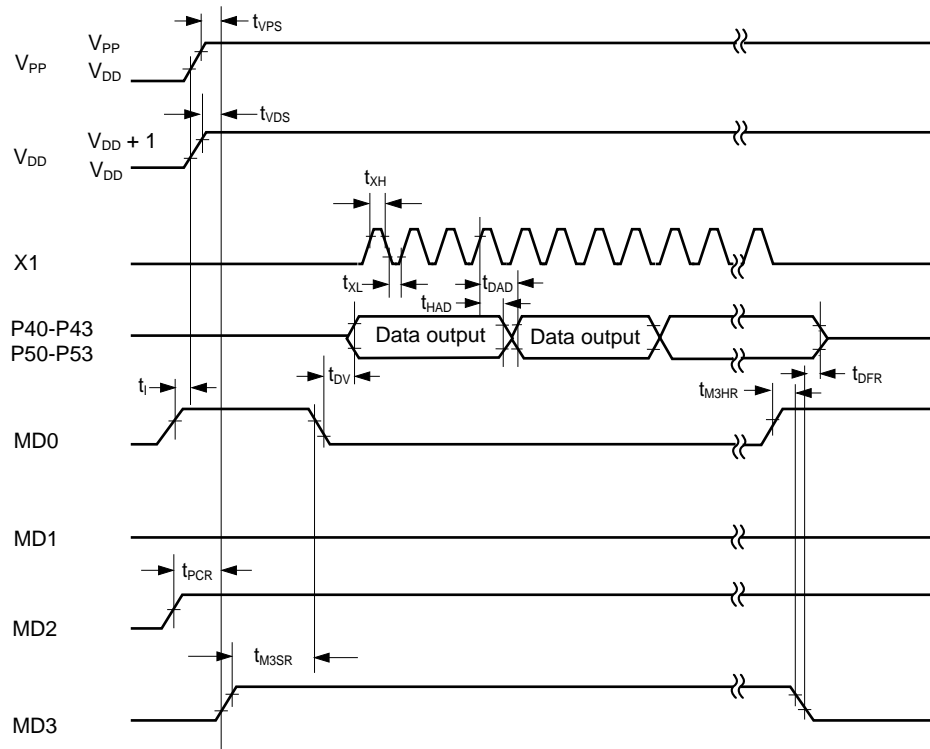
Program Memory Write Timing

★



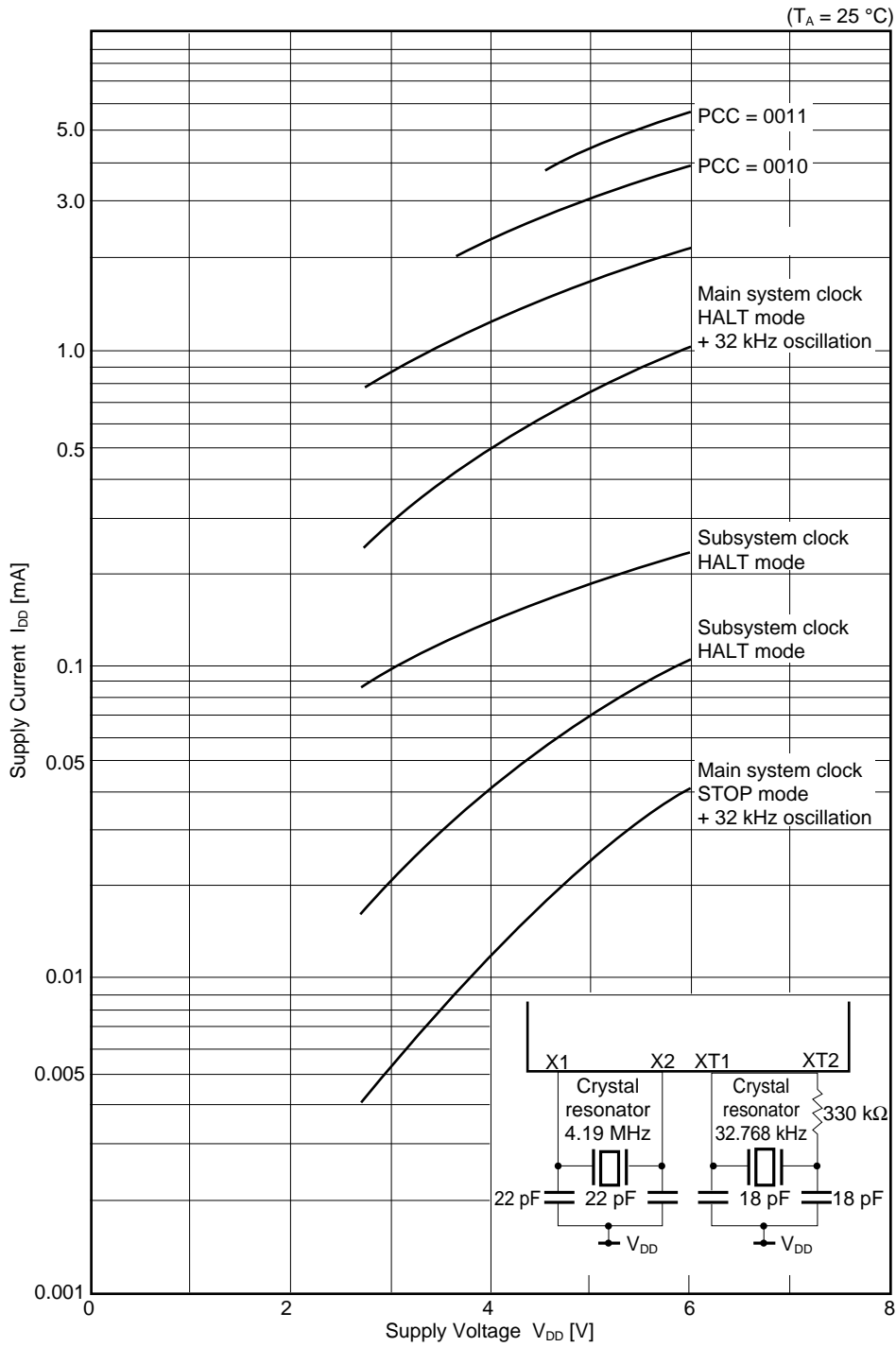
Program Memory Read Timing

★



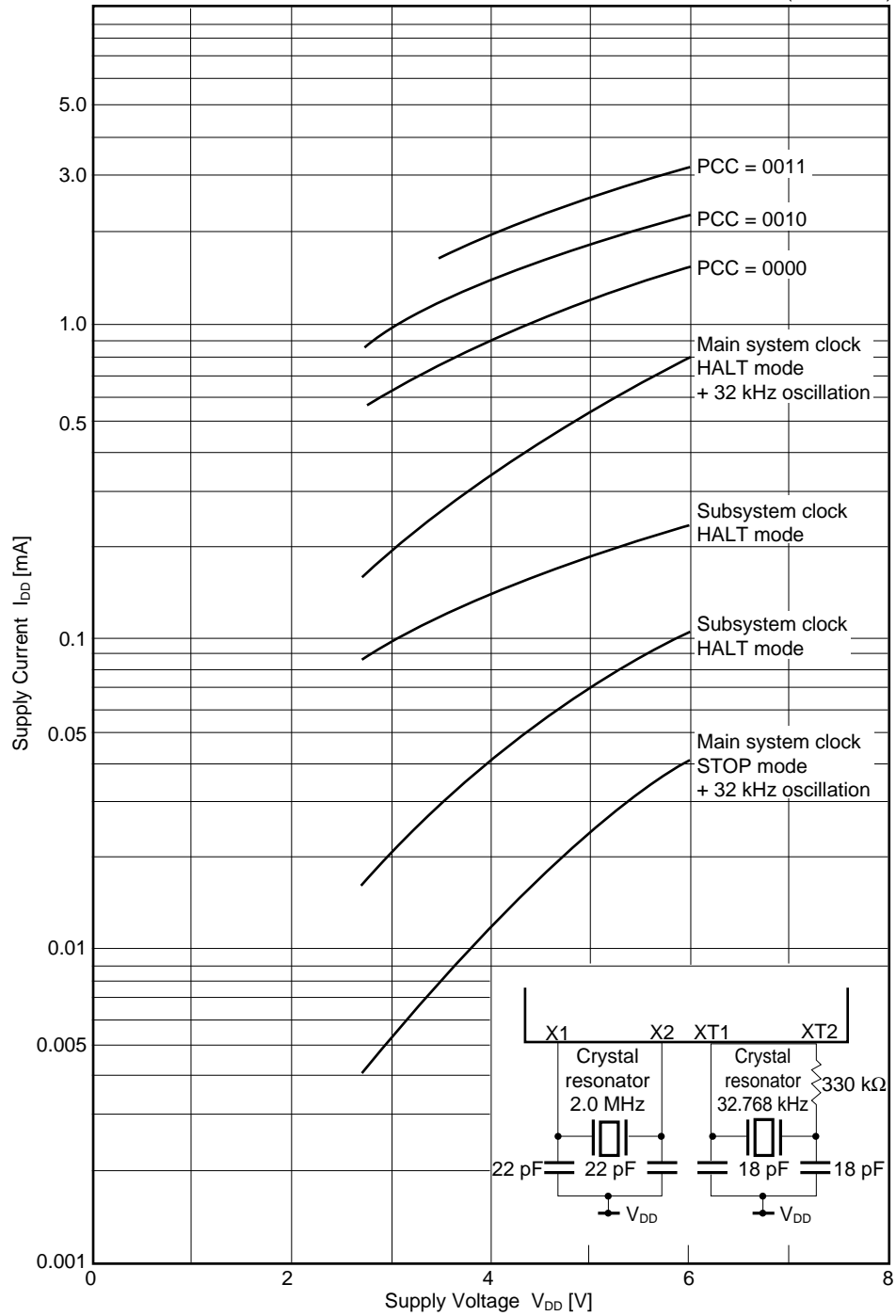
★ 5. CHARACTERISTIC CURVES (REFERENCE VALUES)

I<sub>DD</sub> vs V<sub>DD</sub> (4.19-MHz Main System Clock, Crystal Resonator)



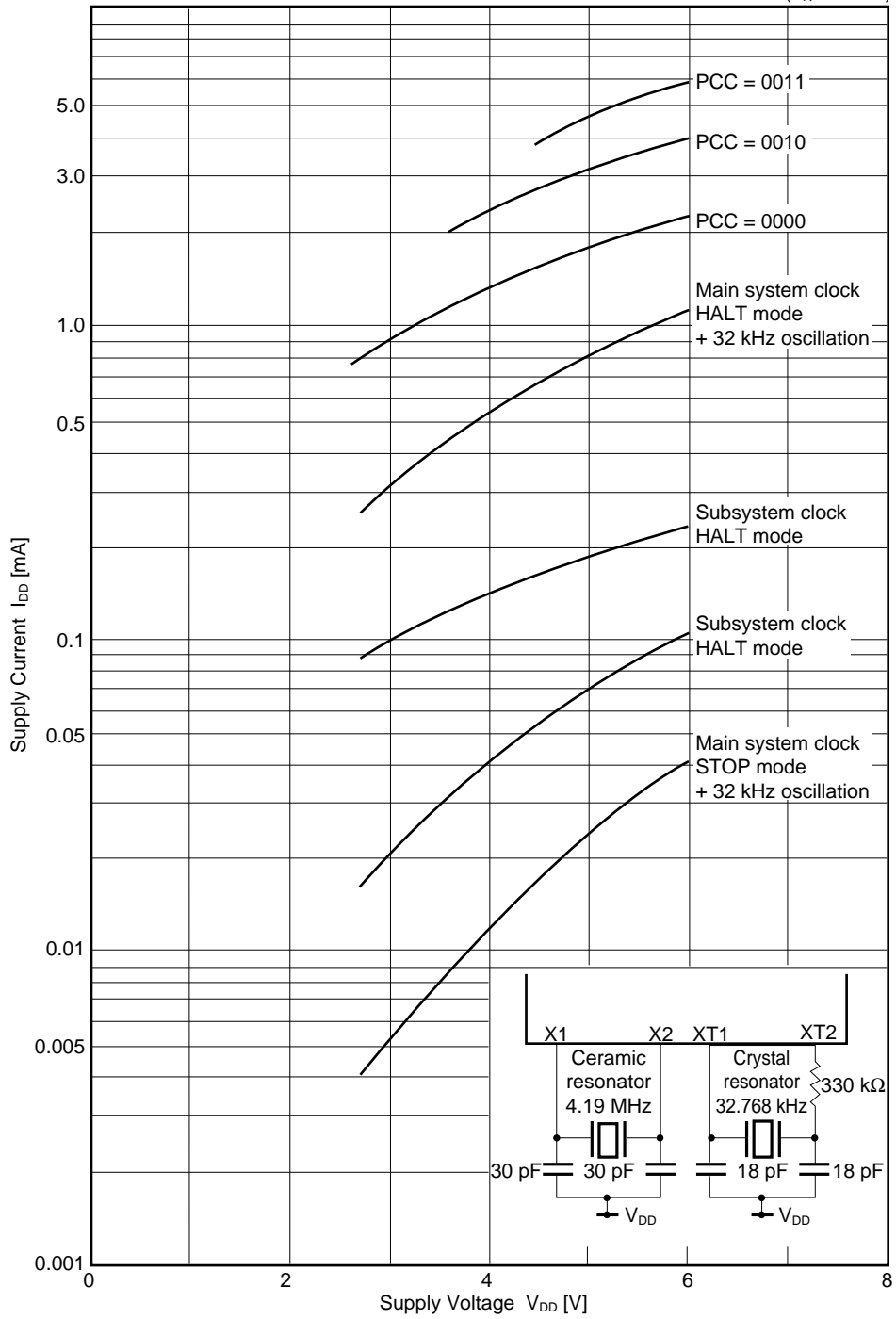
I<sub>DD</sub> vs V<sub>DD</sub> (2.0-MHz Main System Clock, Crystal Resonator)

(T<sub>A</sub> = 25 °C)



**I<sub>DD</sub> vs V<sub>DD</sub> (4.19-MHz Main System Clock, Ceramic Resonator)**

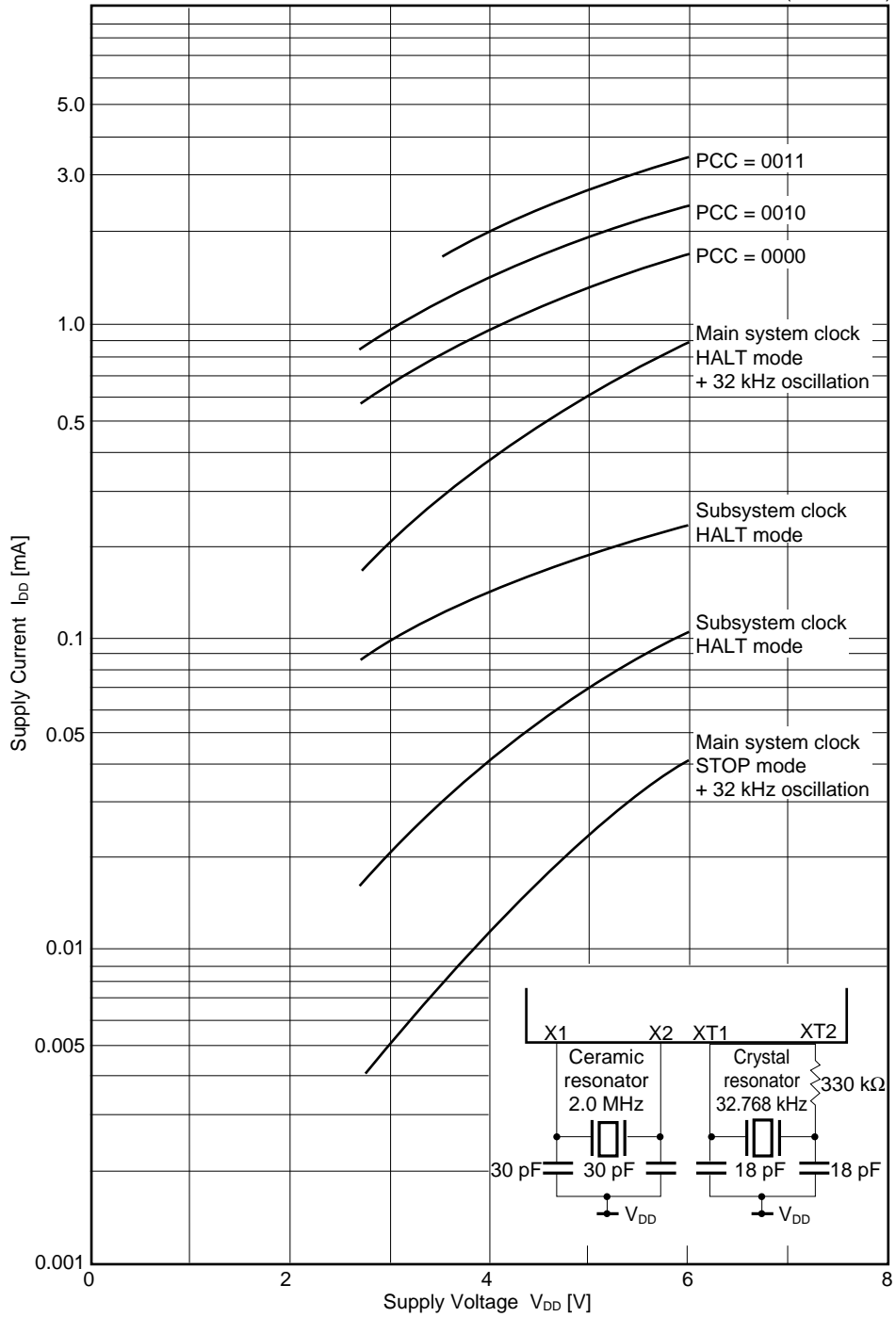
(T<sub>A</sub> = 25 °C)



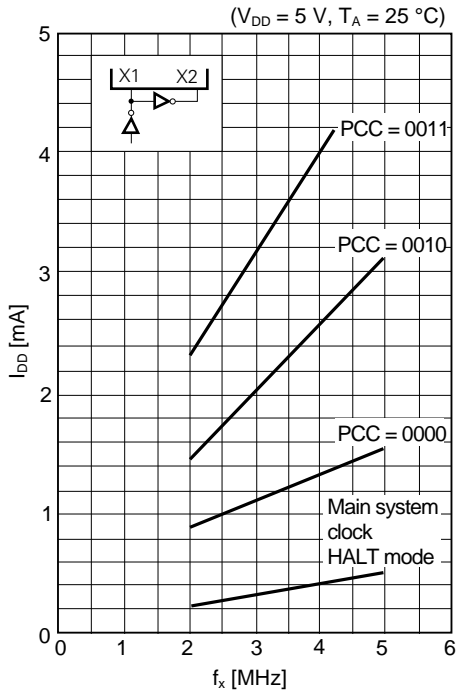


I<sub>DD</sub> vs V<sub>DD</sub> (20-MHz Main System Clock, Ceramic Resonator)

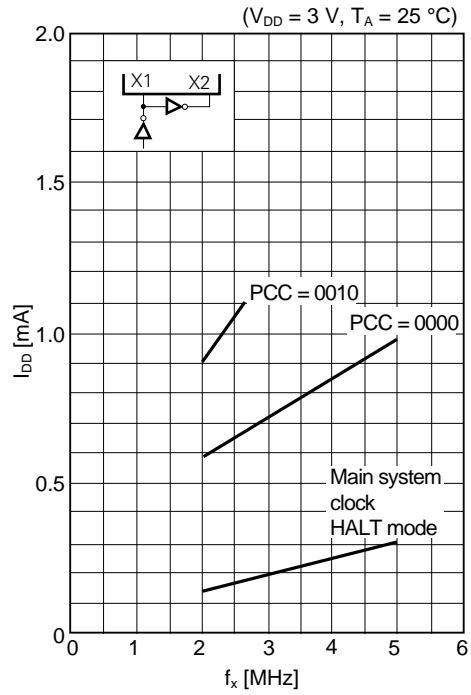
(T<sub>A</sub> = 25 °C)



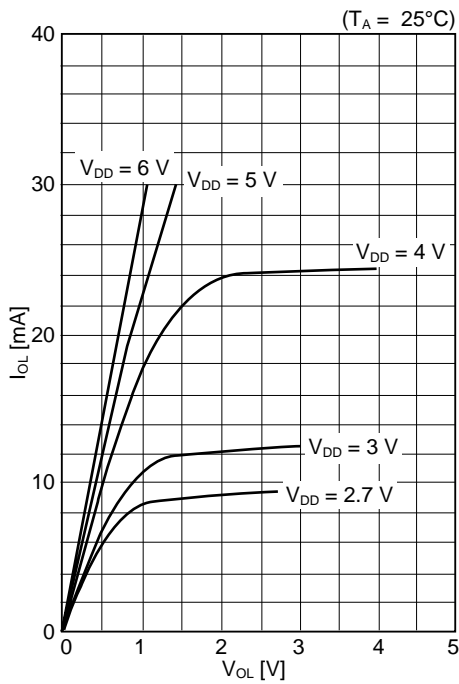
**I<sub>DD</sub> vs f<sub>x</sub>**



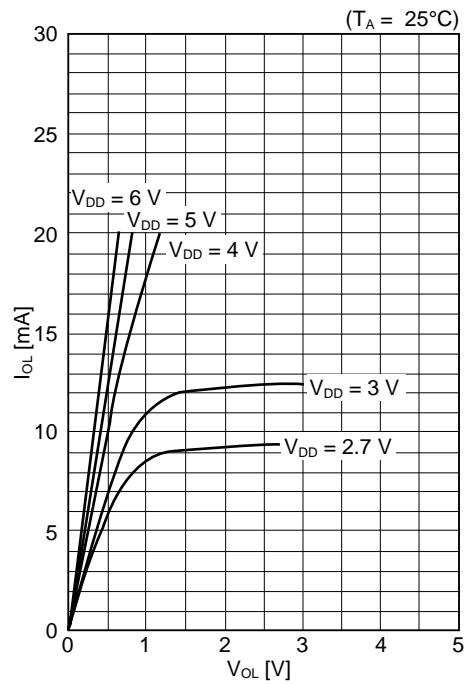
**I<sub>DD</sub> vs f<sub>x</sub>**



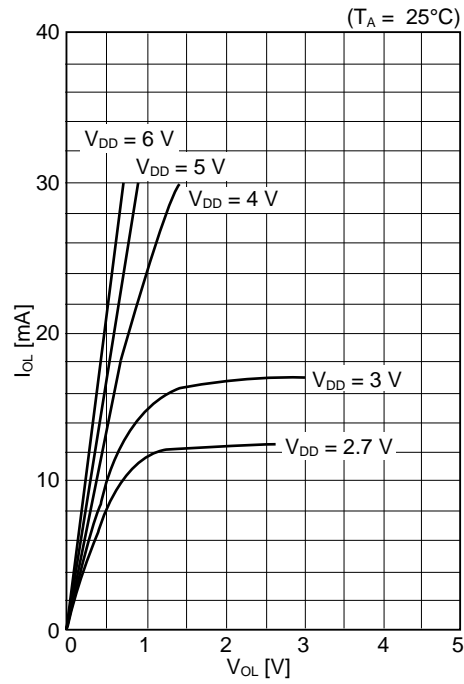
**I<sub>OL</sub> vs V<sub>OL</sub> (Port 0)**



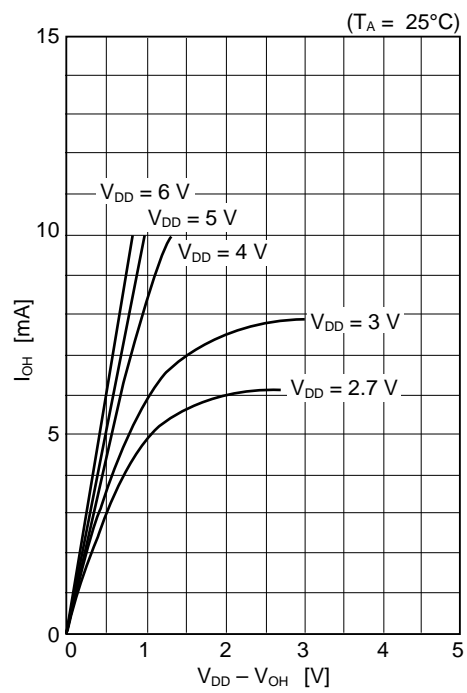
**I<sub>OL</sub> vs V<sub>OL</sub> (Ports 2, 6 to 10)**



**I<sub>OL</sub> vs V<sub>OL</sub> (Ports 3 to 5)**

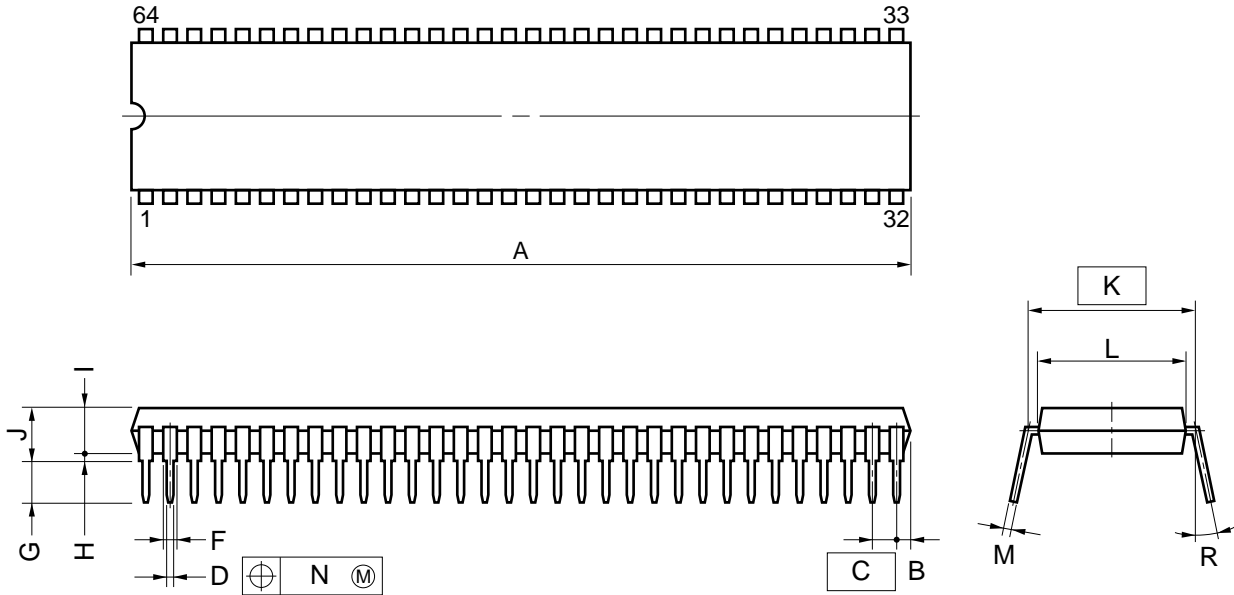


**I<sub>OH</sub> vs V<sub>DD</sub>-V<sub>OH</sub>**



6. PACKAGE DRAWINGS

64 PIN PLASTIC SHRINK DIP (750 mil)



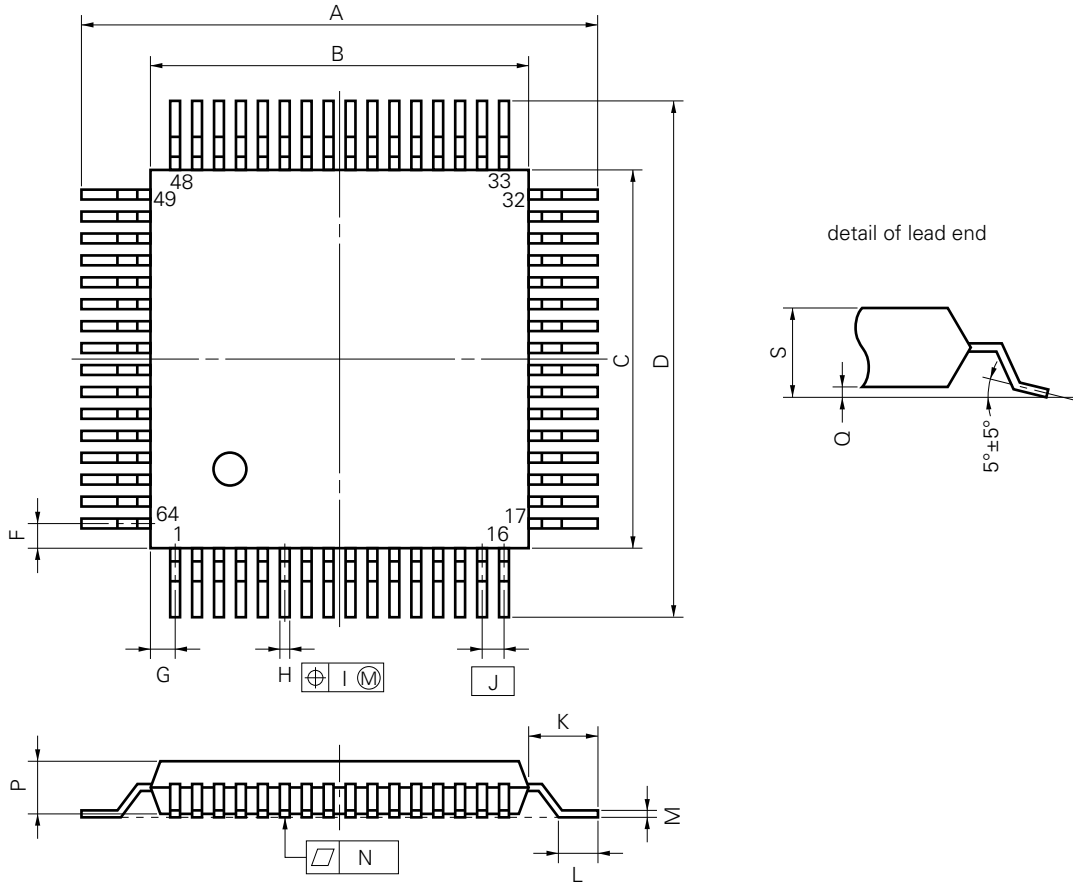
**NOTE**

- 1) Each lead centerline is located within 0.17 mm (0.007 inch) of its true position (T.P.) at maximum material condition.
- 2) Item "K" to center of leads when formed parallel.

| ITEM | MILLIMETERS                            | INCHES                                    |
|------|--|---|
| A    | 58.68 MAX.                             | 2.311 MAX.                                |
| B    | 1.78 MAX.                              | 0.070 MAX.                                |
| C    | 1.778 (T.P.)                           | 0.070 (T.P.)                              |
| D    | 0.50±0.10                              | 0.020 <sup>+0.004</sup> <sub>-0.005</sub> |
| F    | 0.9 MIN.                               | 0.035 MIN.                                |
| G    | 3.2±0.3                                | 0.126±0.012                               |
| H    | 0.51 MIN.                              | 0.020 MIN.                                |
| I    | 4.31 MAX.                              | 0.170 MAX.                                |
| J    | 5.08 MAX.                              | 0.200 MAX.                                |
| K    | 19.05 (T.P.)                           | 0.750 (T.P.)                              |
| L    | 17.0                                   | 0.669                                     |
| M    | 0.25 <sup>+0.10</sup> <sub>-0.05</sub> | 0.010 <sup>+0.004</sup> <sub>-0.003</sub> |
| N    | 0.17                                   | 0.007                                     |
| R    | 0~15°                                  | 0~15°                                     |

P64C-70-750A,C-1

64 PIN PLASTIC QFP (□14)



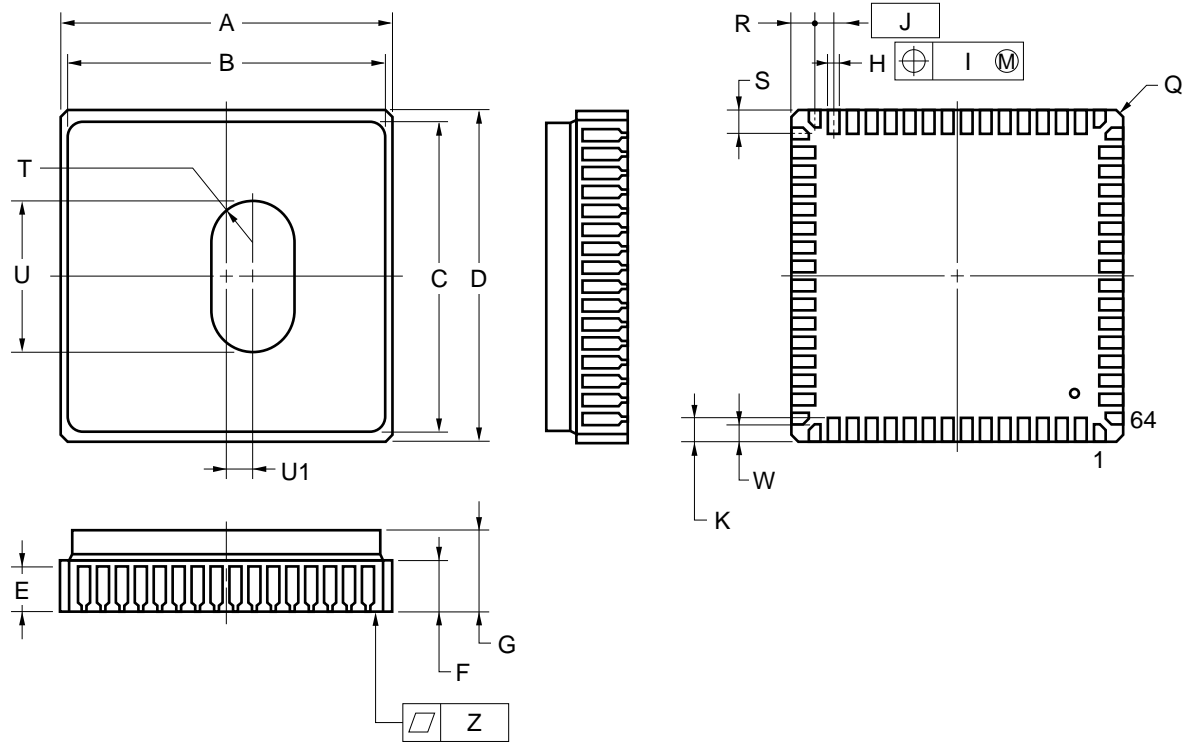
P64GC-80-AB8-3

**NOTE**

Each lead centerline is located within 0.15 mm (0.006 inch) of its true position (T.P.) at maximum material condition.

| ITEM | MILLIMETERS                            | INCHES                                    |
|------|--|---|
| A    | 17.6±0.4                               | 0.693±0.016                               |
| B    | 14.0±0.2                               | 0.551 <sup>+0.009</sup> <sub>-0.008</sub> |
| C    | 14.0±0.2                               | 0.551 <sup>+0.009</sup> <sub>-0.008</sub> |
| D    | 17.6±0.4                               | 0.693±0.016                               |
| F    | 1.0                                    | 0.039                                     |
| G    | 1.0                                    | 0.039                                     |
| H    | 0.35±0.10                              | 0.014 <sup>+0.004</sup> <sub>-0.005</sub> |
| I    | 0.15                                   | 0.006                                     |
| J    | 0.8 (T.P.)                             | 0.031 (T.P.)                              |
| K    | 1.8±0.2                                | 0.071±0.008                               |
| L    | 0.8±0.2                                | 0.031 <sup>+0.009</sup> <sub>-0.008</sub> |
| M    | 0.15 <sup>+0.10</sup> <sub>-0.05</sub> | 0.006 <sup>+0.004</sup> <sub>-0.003</sub> |
| N    | 0.10                                   | 0.004                                     |
| P    | 2.55                                   | 0.100                                     |
| Q    | 0.1±0.1                                | 0.004±0.004                               |
| S    | 2.85 MAX.                              | 0.112 MAX.                                |

★ 64 PIN CERAMIC WQFN



**NOTE**

Each lead centerline is located within 0.08 mm (0.003 inch) of its true position (T.P.) at maximum material condition.

| ITEM | MILLIMETERS | INCHES                                    |
|------|-------------|---|
| A    | 13.8±0.25   | 0.543 <sup>+0.011</sup> <sub>-0.010</sub> |
| B    | 13.0        | 0.512                                     |
| C    | 12.4        | 0.488                                     |
| D    | 13.8±0.25   | 0.543 <sup>+0.011</sup> <sub>-0.010</sub> |
| E    | 1.94        | 0.076                                     |
| F    | 2.14        | 0.084                                     |
| G    | 3.56 MAX.   | 0.141 MAX.                                |
| H    | 0.51±0.1    | 0.020±0.004                               |
| I    | 0.08        | 0.003                                     |
| J    | 0.8 (T.P.)  | 0.031 (T.P.)                              |
| K    | 1.0±0.15    | 0.039±0.006                               |
| Q    | C 0.3       | C 0.012                                   |
| R    | 0.9         | 0.035                                     |
| S    | 0.9         | 0.035                                     |
| T    | R 1.5       | R 0.059                                   |
| U    | 6.0         | 0.236                                     |
| U1   | 1.0         | 0.039                                     |
| W    | 0.75±0.15   | 0.030 <sup>+0.006</sup> <sub>-0.007</sub> |
| Z    | 0.10        | 0.004                                     |

X64KG-80A-1

**7. RECOMMENDED SOLDERING CONDITIONS**

It is recommended that the μPD75P036 be soldered under the following conditions. For details on the recommended soldering conditions, refer to Information Document "**Semiconductor Devices Mounting Technology Manual**" (IEI-1207).

For soldering methods and conditions other than those recommended, please contact your NEC sales representative.

**Table 7-1. Soldering Conditions for Surface Mount Devices**

**μPD75P036GC-AB8: 64-pin plastic QFP (14 x 14 mm)**

| Soldering Method | Soldering Conditions   | Recommended Soldering Code |
|------------------|--|----------------------------|
| Wave soldering   | Soldering bath temperature: 260°C max.,<br>Time: 10 seconds max., Number of times: 1,<br>Maximum number of days: 2 days <sup>Note</sup> , (thereafter, 16 hours of prebaking is required at 125°C),<br>Preheating temperature: 120°C max. (package surface temperature). | WS60-162-1                 |
| Infrared reflow  | Package peak temperature: 230°C,<br>Time: 30 seconds max. (210°C min.),<br>Number of times: 1, Maximum number of days: 2 days <sup>Note</sup><br>(thereafter, 16 hours of prebaking is required at 125°C)  | IR30-162-1                 |
| VPS              | Package peak temperature: 215°C,<br>Time: 40 seconds max. (200°C min.),<br>Number of times: 1, Maximum number of days: 2 days <sup>Note</sup><br>(thereafter, 16 hours of prebaking is required at 125°C)  | VP15-162-1                 |
| Partial heating  | Pin temperature: 300°C max.,<br>Time: 3 seconds max. (per pin row)   | —                          |

**Note** Number of days after unpacking the dry pack. Storage conditions are 25°C and 65% RH max.

**Caution** Do not use different soldering methods together (except the partial heating method).

**Table 7-2. Soldering Conditions for Through-hole Devices**

**μPD75P036CW: 64-pin Plastic Shrink DIP (750 mils)**

| Soldering Method          | Soldering Conditions  |
|---------------------------|---|
| Wave soldering (pin only) | Soldering bath temperature: 260°C max., Time: 10 seconds max.   |
| Partial heating           | Pin temperature: 300°C max., Time: 3 seconds max. (per pin row) |

**Caution** Apply wave soldering only to the lead part and be careful so as not to bring solder into direct contact with the device body.

★ APPENDIX A. DEVELOPMENT TOOLS

The following development tools are readily available to support development of systems using μPD75P03s:

|          |  |   |
|----------|--|---|
| Hardware | IE-75000-R <sup>Note 1</sup><br>IE-75001-R | In-circuit emulator for 75K series  |
|          | IE-75000-R-EM <sup>Note 2</sup>            | Emulation board for IE-75000-R and IE-75001-R   |
|          | EP-75028CW-R                               | Emulation prove for μPD75P036CW   |
|          | EP-75028GC-R                               | Emulation prove for μPD75P036GC. Provided with 64-pin conversion socket.  |
|          | EV-9200GC-64                               | EV-9200G-80 used for μPD75P036GC/75P036KG   |
|          | PG-1500                                    | PROM programmer   |
|          | PA-75P036CW                                | PROM programmer adapter used for μPD75P036CW. It is connected to PG-1500.   |
|          | PA-75P036GC                                | PROM programmer adapter used for μPD75P036GC. It is connected to PG-1500.   |
| Software | IE control program                         | Host machine<br><ul style="list-style-type: none"> <li>• PC-9800 series (MS-DOS™ Ver. 3.30 to Ver. 5.00A <sup>Note 3</sup>)</li> <li>• IBM PC/AT™ (Refer to document <b>OS for IBM PC</b>)</li> </ul> |
|          | PG-1500 controller                         |   |
|          | RA75X relocatable assembler                |   |
|          |  |   |

- Notes**
1. For maintenance purpose only
  2. Not provided with IE-75001-R
  3. Ver.5.00/5.00A has a task swap function, but this function cannot be used with these software.

**Remark** Please refer to the **75X SERIES SELECTION GUIDE (IF-1027)** for information on third party development tools.

**OS for IBM PC**

The following OS are supported for IBM PC.

| OS       | Version  |
|----------|--|
| PC DOS™  | Ver. 3.1 to Ver. 6.3<br>J6.1/V <sup>Note</sup> to 16.3/V <sup>Note</sup> |
| MS-DOS   | Ver. 5.0 to Ver. 6.2<br>5.0/V <sup>Note</sup> to J6.2/V <sup>Note</sup>  |
| IBM DOS™ | J5.02/V <sup>Note</sup>  |

**Note** Supported only English mode.

**Caution** Ver. 5.0 or later has a task swap function, but this function cannot be used with these software.



**APPENDIX B. RELATED DOCUMENTS**



Please use this document in conjunction with the following.

Related document may be "Preliminary." However, in this document, "Preliminary" is not indicated.

**Device Document**

| Title                                | Document Number |          |
|--------------------------------------|-----------------|----------|
|                                      | Japanese        | English  |
| μPD75P036 Data Sheet (This document) | IC-7914         | IC-2967  |
| μPD75028 User's Manual               | IEU-694         | IEU-1280 |
| μPD75028 Instruction List            | IEM-5511        | —        |
| μPD75028 Application Note — Basics   | IEA-689         | IEA-1277 |
| 75X series Selection Guide           | IF-151          | IF-1027  |

**Development Tool Document**

| Title    |                                       | Document Number               |          |           |
|----------|---------------------------------------|-------------------------------|----------|-----------|
|          |                                       | Japanese                      | English  |           |
| Hardware | IE-75000-R/IE-75001-R User's Manual   | EEU-846                       | EEU-1416 |           |
|          | IE-75000-R-EM User's Manual           | EEU-673                       | EEU-1294 |           |
|          | EP-75028CW-R User's Manual            | EEU-697                       | EEU-1314 |           |
|          | IE-75028GC-R User's Manual            | EEU-692                       | EEU-1306 |           |
|          | PG-1500 User's Manual                 | EEU-651                       | EEU-1335 |           |
| Software | RA75X Assembler Package User's Manual | Operation                     | EEU-731  | EEU-1346  |
|          |                                       | Language                      | EEU-730  | EEU-1363  |
|          | PG-1500 Controller User's Manual      | PC-9800 series (MS-DOS) based | EEU-704  | Scheduled |
|          |                                       | IBM PC series (PC DOS) based  | EEU-5008 | EEU-1291  |

**Other Document**

| Title   | Number   |          |
|---|----------|----------|
|   | Japanese | English  |
| Package Manual  | IEI-635  | IEI-1213 |
| Semiconductor Device Mounting Technology Manual             | IEI-616  | IEI-1207 |
| Quality Grades on NEC Semiconductor Devices                 | IEI-620  | IEI-1209 |
| NEC Semiconductor Device Reliability/Quality Control System | IEM-5068 | —        |
| Electrostatic Discharge (ESD) Test                          | MEM-539  | —        |
| Guide to Quality Assurance for Semiconductor Devices        | MEI-603  | MEI-1202 |
| Microcomputer-Related Product Guide — Third Party Products  | MEI-604  | —        |

**Caution** The contents of the documents listed above are subject to change without prior notice to user's.  
Make sure to use the latest edition when starting design.

## NOTES FOR CMOS DEVICES

### (1) PRECAUTION AGAINST ESD FOR SEMICONDUCTORS

**Note:** Strong electric field, when exposed to a MOS device, can cause destruction of the gate oxide and ultimately degrade the device operation. Steps must be taken to stop generation of static electricity as much as possible, and quickly dissipate it once, when it has occurred. Environmental control must be adequate. When it is dry, humidifier should be used. It is recommended to avoid using insulators that easily build static electricity. Semiconductor devices must be stored and transported in an anti-static container, static shielding bag or conductive material. All test and measurement tools including work bench and floor should be grounded. The operator should be grounded using wrist strap. Semiconductor devices must not be touched with bare hands. Similar precautions need to be taken for PW boards with semiconductor devices on it.

### (2) HANDLING OF UNUSED INPUT PINS FOR CMOS

**Note:** No connection for CMOS device inputs can be cause of malfunction. If no connection is provided to the input pins, it is possible that an internal input level may be generated due to noise, etc., hence causing malfunction. CMOS device behave differently than Bipolar or NMOS devices. Input levels of CMOS devices must be fixed high or low by using a pull-up or pull-down circuitry. Each unused pin should be connected to VDD or GND with a resistor, if it is considered to have a possibility of being an output pin. All handling related to the unused pins must be judged device by device and related specifications governing the devices.

### (3) STATUS BEFORE INITIALIZATION OF MOS DEVICES

**Note:** Power-on does not necessarily define initial status of MOS device. Production process of MOS does not define the initial operation status of the device. Immediately after the power source is turned ON, the devices with reset function have not yet been initialized. Hence, power-on does not guarantee out-pin levels, I/O settings or contents of registers. Device is not initialized until the reset signal is received. Reset operation must be executed immediately after power-on for devices having reset function.

**MS-DOS is a trademark of Microsoft Corporation.  
IBM DOS, PC/AT, and PC DOS are trademarks of IBM Corporation.**

**The export of these products from Japan is regulated by the Japanese government. The export of some or all of these products may be prohibited without governmental license. To export or re-export some or all of these products from a country other than Japan may also be prohibited without a license from that country. Please call an NEC sales representative.**

License not needed:  $\mu$ PD75P036KG

The customer must judge the need for license:  $\mu$ PD75P036CW, 75P036GC-AB8

No part of this document may be copied or reproduced in any form or by any means without the prior written consent of NEC Corporation. NEC Corporation assumes no responsibility for any errors which may appear in this document. NEC Corporation does not assume any liability for infringement of patents, copyrights or other intellectual property rights of third parties by or arising from use of a device described herein or any other liability arising from use of such device. No license, either express, implied or otherwise, is granted under any patents, copyrights or other intellectual property rights of NEC Corporation or others.

While NEC Corporation has been making continuous effort to enhance the reliability of its semiconductor devices, the possibility of defects cannot be eliminated entirely. To minimize risks of damage or injury to persons or property arising from a defect in an NEC semiconductor device, customer must incorporate sufficient safety measures in its design, such as redundancy, fire-containment, and anti-failure features.

NEC devices are classified into the following three quality grades:

"Standard", "Special", and "Specific". The Specific quality grade applies only to devices developed based on a customer designated "quality assurance program" for a specific application. The recommended applications of a device depend on its quality grade, as indicated below. Customers must check the quality grade of each device before using it in a particular application.

Standard: Computer, office equipment, communication equipment, test and measurement equipment, audio and visual equipment, home electronic appliances, machine tools, personal electronic equipment and industrial robots

Special: Transportation equipment (automobiles, trains, ships, etc.), traffic control systems, anti-disaster systems, anti-crime systems, safety equipment and medical equipment (not specifically designed for life support)

Specific: Aircrafts, aerospace equipment, submersible repeaters, nucleare reactor control systems, life support systems or medical equipment for life support, etc.

The quality grade of NEC devices in "Standard" unless otherwise specified in NEC's Data Sheets or Data Books. If customers intend to use NEC devices for applications other than those specified for Standard quality grade, they should contact NEC Sales Representative in advance.

Anti-radioactive design is not implemented in this product.