

## 8-BIT SINGLE-CHIP MICROCONTROLLER

## DESCRIPTION

The  $\mu$ PD78F0034A is a member of the  $\mu$ PD780034A Subseries in the 78K/0 Series, and is equivalent to the  $\mu$ PD780034A but with flash memory in place of internal ROM.

The  $\mu$ PD78F0034AY is a member of the  $\mu$ PD780034AY Subseries, featuring flash memory in place of the internal ROM of the  $\mu$ PD780034AY.

The  $\mu$ PD78F0034A incorporates flash memory, which can be programmed and erased while mounted on the board.

**Detailed function descriptions are provided in the following user's manuals. Be sure to read them before designing.**

**$\mu$ PD780024A, 780034A, 780024AY, 780034AY Subseries User's Manual: U14046E**  
**78K/0 Series Instruction User's Manual: U12326E**

## FEATURES

- Pin-compatible with mask ROM versions (except  $V_{PP}$  pin)
- Flash memory: 32 KB<sup>Note</sup>
- Internal high-speed RAM: 1,024 bytes<sup>Note</sup>
- Supply voltage:  $V_{DD} = 1.8$  to 5.5 V

**Note** The flash memory and internal high-speed RAM capacities can be changed with the memory size switching register (IMS).

**Remark** For the differences between the flash memory and the mask ROM versions, refer to **4. DIFFERENCES BETWEEN  $\mu$ PD78F0034A, 78F0034AY, AND MASK ROM VERSIONS.**

## ★ ORDERING INFORMATION

Part Number	Package	Internal ROM
$\mu$ PD78F0034ACW	64-pin plastic SDIP (19.05 mm (750))	Flash memory
$\mu$ PD78F0034AGB-8EU	64-pin plastic LQFP (10 × 10)	Flash memory
$\mu$ PD78F0034AGC-8BS	64-pin plastic LQFP (14 × 14)	Flash memory
$\mu$ PD78F0034AGC-AB8	64-pin plastic QFP (14 × 14)	Flash memory
$\mu$ PD78F0034AGK-9ET	64-pin plastic TQFP (12 × 12)	Flash memory
$\mu$ PD78F0034AYCW	64-pin plastic SDIP (19.05 mm (750))	Flash memory
$\mu$ PD78F0034AYGB-8EU	64-pin plastic LQFP (10 × 10)	Flash memory
$\mu$ PD78F0034AYGC-8BS	64-pin plastic LQFP (14 × 14)	Flash memory
$\mu$ PD78F0034AYGC-AB8	64-pin plastic QFP (14 × 14)	Flash memory
$\mu$ PD78F0034AYGK-9ET	64-pin plastic TQFP (12 × 12)	Flash memory

**The information in this document is subject to change without notice. Before using this document, please confirm that this is the latest version.**  
**Not all devices/types available in every country. Please check with local NEC representative for availability and additional information.**

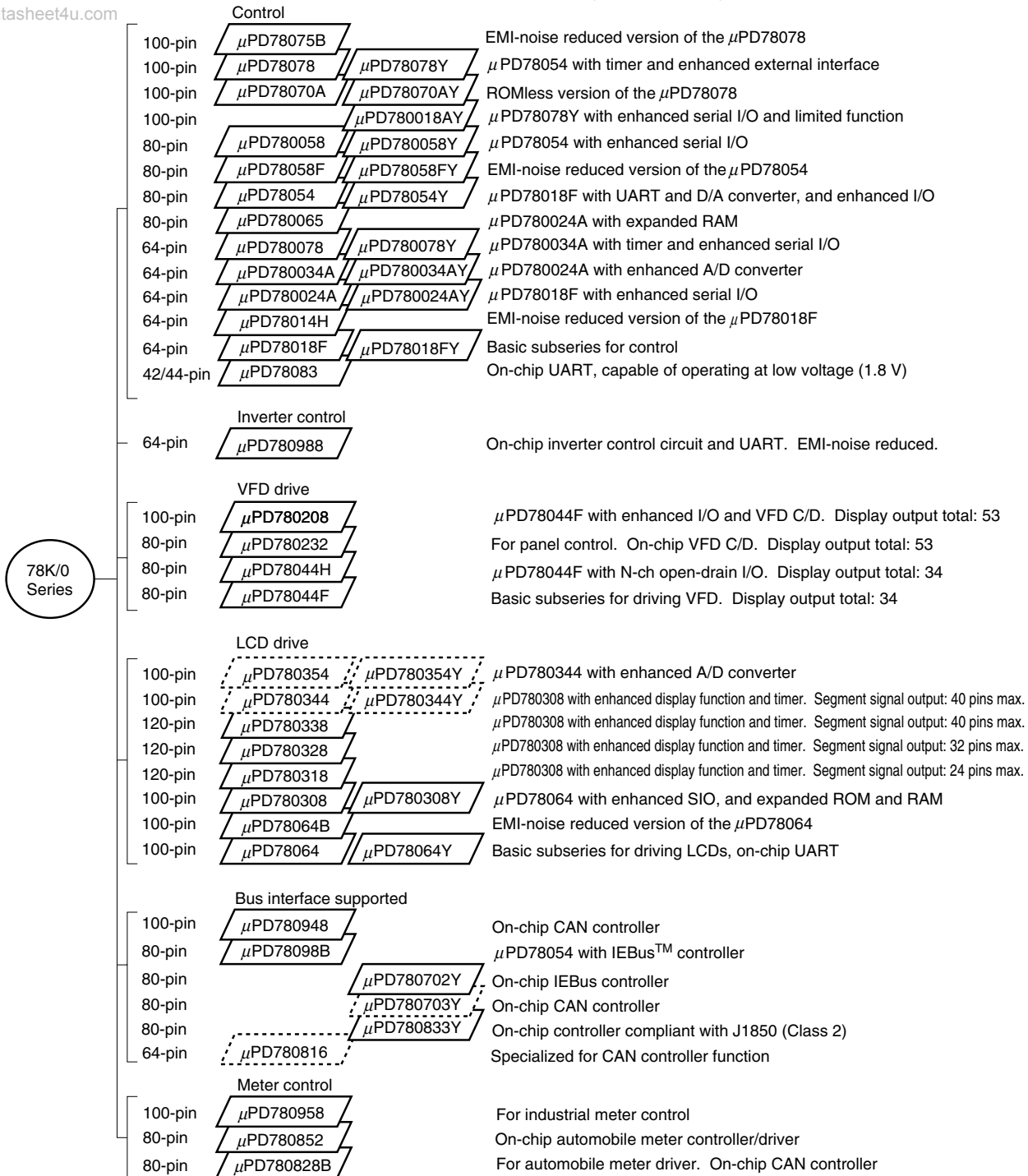
★ 78K/0 SERIES LINEUP

The products in the 78K/0 Series are listed below. The names enclosed in boxes are subseries names.



Y subseries products are compatible with I<sup>2</sup>C bus.

www.datasheet4u.com



**Remark** VFD (Vacuum Fluorescent Display) is referred to as FIP™ (Fluorescent Indicator Panel) in some documents, but the functions of the two are the same.

The major functional differences among the subseries are listed below.

- Non-Y subseries

Subseries Name	Function	ROM Capacity (Bytes)	Timer				8-Bit	10-Bit	8-Bit	Serial Interface	I/O	V <sub>DD</sub> MIN. Value	External Expansion			
			8-Bit	16-Bit	Watch	WDT	A/D	A/D	D/A							
Control	μPD78075B	32 K to 40 K	4 ch	1 ch	1 ch	1 ch	8 ch	-	2 ch	3 ch (UART: 1 ch)	88	1.8 V	√			
	μPD78078	48 K to 60 K									61	2.7 V				
	μPD78070A	-														
	μPD780058	24 K to 60 K	2 ch	-	-	-	-	-	-	3 ch (time-division UART: 1 ch)	68	1.8 V				
	μPD78058F	48 K to 60 K								3 ch (UART: 1 ch)	69	2.7 V				
	μPD78054	16 K to 60 K								2.0 V						
	μPD780065	40 K to 48 K								4 ch (UART: 1 ch)	60	2.7 V				
	μPD780078	48 K to 60 K								2 ch	-	8 ch		3 ch (UART: 2 ch)	52	1.8 V
	μPD780034A	8 K to 32 K								1 ch	3 ch (UART: 1 ch)	51				
	μPD780024A		8 ch	-	2 ch	53										
	μPD78014H															
	μPD78018F	8 K to 60 K														
μPD78083	8 K to 16 K		-	-				1 ch (UART: 1 ch)	33			-				
Inverter control	μPD780988	16 K to 60 K	3 ch	<b>Note</b>	-	1 ch	-	8 ch	-	3 ch (UART: 2 ch)	47	4.0 V	√			
VFD drive	μPD780208	32 K to 60 K	2 ch	1 ch	1 ch	1 ch	8 ch	-	-	2 ch	74	2.7 V	-			
	μPD780232	16 K to 24 K	3 ch	-	-		4 ch				40	4.5 V				
	μPD78044H	32 K to 48 K	2 ch	1 ch	1 ch		8 ch			1 ch	68	2.7 V				
	μPD78044F	16 K to 40 K								2 ch						
LCD drive	μPD780354	24 K to 32 K	4 ch	1 ch	1 ch	1 ch	-	8 ch	-	3 ch (UART: 1 ch)	66	1.8 V	-			
	μPD780344						8 ch	-								
	μPD780338	48 K to 60 K	3 ch	2 ch	-	-	-	-	-	2 ch (UART: 1 ch)	54					
	μPD780328	62														
	μPD780318	70														
	μPD780308	48 K to 60 K	2 ch	1 ch	-	-	-	-	-	3 ch (time-division UART: 1 ch)	57	2.0 V				
	μPD78064B	32 K												2 ch (UART: 1 ch)		
μPD78064	16 K to 32 K															
Bus interface supported	μPD780948	60 K	2 ch	2 ch	1 ch	1 ch	8 ch	-	-	3 ch (UART: 1 ch)	79	4.0 V	√			
	μPD78098B	40 K to 60 K		1 ch							2 ch	69	2.7 V	-		
	μPD780816	32 K to 60 K		2 ch							12 ch	-	2 ch (UART: 1 ch)	46	4.0 V	
Meter control	μPD780958	48 K to 60 K	4 ch	2 ch	-	1 ch	-	-	-	2 ch (UART: 1 ch)	69	2.2 V	-			
Dashboard control	μPD780852	32 K to 40 K	3 ch	1 ch	1 ch	1 ch	5 ch	-	-	3 ch (UART: 1 ch)	56	4.0 V	-			
	μPD780828B	32 K to 60 K									59					

**Note** 16-bit timer: 2 channels

10-bit timer: 1 channel

• Y subseries

Function Subseries Name	ROM Capacity (Bytes)	Timer				8-Bit	10-Bit	8-Bit	Serial Interface	I/O	V <sub>DD</sub> MIN. Value	External Expansion	
		8-Bit	16-Bit	Watch	WDT	A/D	A/D	D/A					
Control	μPD78078Y	48 K to 60 K	4 ch	1 ch	1 ch	1 ch	8 ch	-	2 ch	3 ch (UART: 1 ch, I <sup>2</sup> C: 1 ch)	88	1.8 V	√
	μPD78070AY	-								61	2.7 V		
	μPD780018AY	48 K to 60 K	2 ch	-	3 ch (I <sup>2</sup> C: 1 ch)	88	-	2 ch	3 ch (time-division UART: 1 ch, I <sup>2</sup> C: 1 ch)	68	1.8 V		
	μPD780058Y	24 K to 60 K											
	μPD78058FY	48 K to 60 K											
	μPD78054Y	16 K to 60 K											
	μPD780078Y	48 K to 60 K											
	μPD780034AY	8 K to 32 K											
	μPD780024AY		2 ch	-	8 ch	-	4 ch (UART: 2 ch, I <sup>2</sup> C: 1 ch)	52	1.8 V				
	μPD78018FY	8 K to 60 K											
μPD78018FY	8 K to 60 K	1 ch	8 ch	-	3 ch (UART: 1 ch, I <sup>2</sup> C: 1 ch)	51							
LCD drive	μPD780354Y	24 K to 32 K	4 ch	1 ch	1 ch	1 ch	-	8 ch	-	4 ch (UART: 1 ch, I <sup>2</sup> C: 1 ch)	66	1.8 V	-
	μPD780344Y						8 ch	-					
	μPD780308Y	48 K to 60 K	2 ch	3 ch (time-division UART: 1 ch, I <sup>2</sup> C: 1 ch)	57	2.0 V							
	μPD78064Y	16 K to 32 K											
Bus interface supported	μPD780701Y	60 K	3 ch	2 ch	1 ch	1 ch	16 ch	-	-	4 ch (UART: 1 ch, I <sup>2</sup> C: 1 ch)	67	3.5 V	-
	μPD780703Y												
	μPD780833Y										65	4.5 V	

**Remark** Functions other than the serial interface are common to both the Y and non-Y subseries.

OVERVIEW OF FUNCTIONS

Part Number		μPD78F0034A	μPD78F0034AY
Internal memory	Flash memory	32 KB <sup>Note</sup>	
	High-speed RAM	1,024 bytes <sup>Note</sup>	
Memory space		64 KB	
General-purpose registers		8 bits × 32 registers (8 bits × 8 registers × 4 banks)	
Minimum instruction execution time		On-chip minimum instruction execution time cycle variable function	
		When main system clock selected	0.24 μs/0.48 μs/0.95 μs/1.91 μs/3.81 μs (@ 8.38 MHz operation)
		When subsystem clock selected	122 μs (@ 32.768 kHz operation)
Instruction set		<ul style="list-style-type: none"> <li>• 16-bit operation</li> <li>• Multiply/divide (8 bits × 8 bits, 16 bits ÷ 8 bits)</li> <li>• Bit manipulation (set, reset, test, Boolean operation)</li> <li>• BCD adjust, etc.</li> </ul>	
I/O ports		Total: 51 <ul style="list-style-type: none"> <li>• CMOS input: 8</li> <li>• CMOS I/O: 39</li> <li>• N-ch open-drain I/O (5 V withstand voltage): 4</li> </ul>	
A/D converter		<ul style="list-style-type: none"> <li>• 10-bit resolution × 8 channels</li> <li>• Operable over a wide power supply voltage range: AV<sub>DD</sub> = 1.8 to 5.5 V</li> </ul>	
Serial interface		<ul style="list-style-type: none"> <li>• UART mode: 1 channel</li> <li>• 3-wire serial I/O mode: 2 channels</li> </ul>	<ul style="list-style-type: none"> <li>• UART mode: 1 channel</li> <li>• 3-wire serial I/O mode: 1 channel</li> <li>• I<sup>2</sup>C bus mode (multimaster supporting): 1 channel</li> </ul>
Timers		<ul style="list-style-type: none"> <li>• 16-bit timer/event counter: 1 channel</li> <li>• 8-bit timer/event counter: 2 channels</li> <li>• Watch timer: 1 channel</li> <li>• Watchdog timer: 1 channel</li> </ul>	
Timer outputs		3 (8-bit PWM output capable: 2)	
Clock output		<ul style="list-style-type: none"> <li>• 65.5 kHz, 131 kHz, 262 kHz, 524 kHz, 1.05 MHz, 2.10 MHz, 4.19 MHz, 8.38 MHz (@ 8.38 MHz operation with main system clock)</li> <li>• 32.768 kHz (@ 32.768 kHz operation with subsystem clock)</li> </ul>	
Buzzer output		1.02 kHz, 2.05 kHz, 4.10 kHz, 8.19 kHz (@ 8.38 MHz operation with main system clock)	
Vectored interrupt sources	Maskable	Internal: 13, external: 5	
	Non-maskable	Internal: 1	
	Software	1	
Test inputs		Internal: 1, external: 1	
Supply voltage		V <sub>DD</sub> = 1.8 to 5.5 V	
Operating ambient temperature		T <sub>A</sub> = -40 to +85°C	
Package		<ul style="list-style-type: none"> <li>• 64-pin plastic SDIP (19.05 mm (750))</li> <li>• 64-pin plastic LQFP (10 × 10)</li> <li>• 64-pin plastic LQFP (14 × 14)</li> <li>• 64-pin plastic QFP (14 × 14)</li> <li>• 64-pin plastic TQFP (12 × 12)</li> </ul>	

**Note** The capacities of the flash memory and the internal high-speed RAM can be changed with the memory size switching register (IMS).

**CONTENTS**

1. PIN CONFIGURATION (TOP VIEW) ..... 7

2. BLOCK DIAGRAM ..... 10

3. PIN FUNCTIONS ..... 11

    3.1 Port Pins ..... 11

    3.2 Non-Port Pins ..... 12

    3.3 Pin I/O Circuits and Recommended Connection of Unused Pins ..... 14

4. DIFFERENCES BETWEEN μPD78F0034A, 78F0034AY, AND MASK ROM VERSIONS ..... 17

5. MEMORY SIZE SWITCHING REGISTER (IMS) ..... 19

6. FLASH MEMORY PROGRAMMING ..... 20

    6.1 Selection of Communication Mode ..... 20

    6.2 Flash Memory Programming Functions ..... 22

    6.3 Connection of Flashpro III ..... 22

7. ELECTRICAL SPECIFICATIONS ..... 24

8. PACKAGE DRAWINGS ..... 47

9. RECOMMENDED SOLDERING CONDITIONS ..... 52

APPENDIX A. DEVELOPMENT TOOLS ..... 54

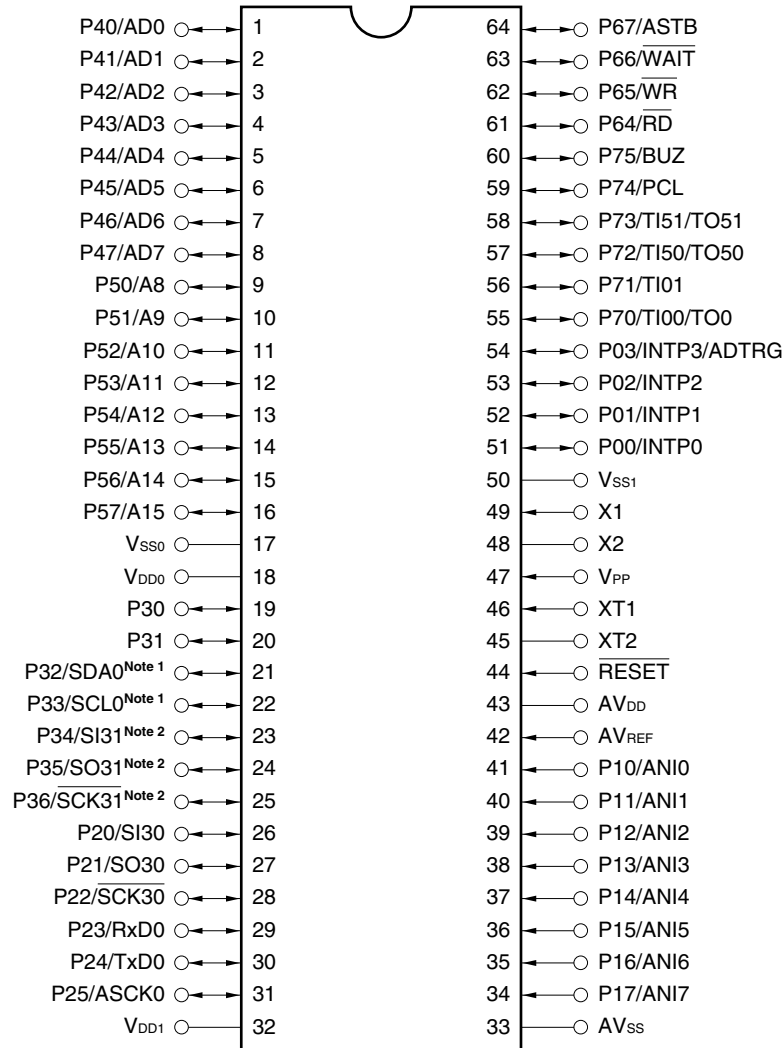
APPENDIX B. RELATED DOCUMENTS ..... 61

www.datasheet4u.com

1. PIN CONFIGURATION (TOP VIEW)

- 64-pin plastic SDIP (19.05 mm (750))  
μPD78F0034ACW, 78F0034AYCW

www.datasheet4u.com



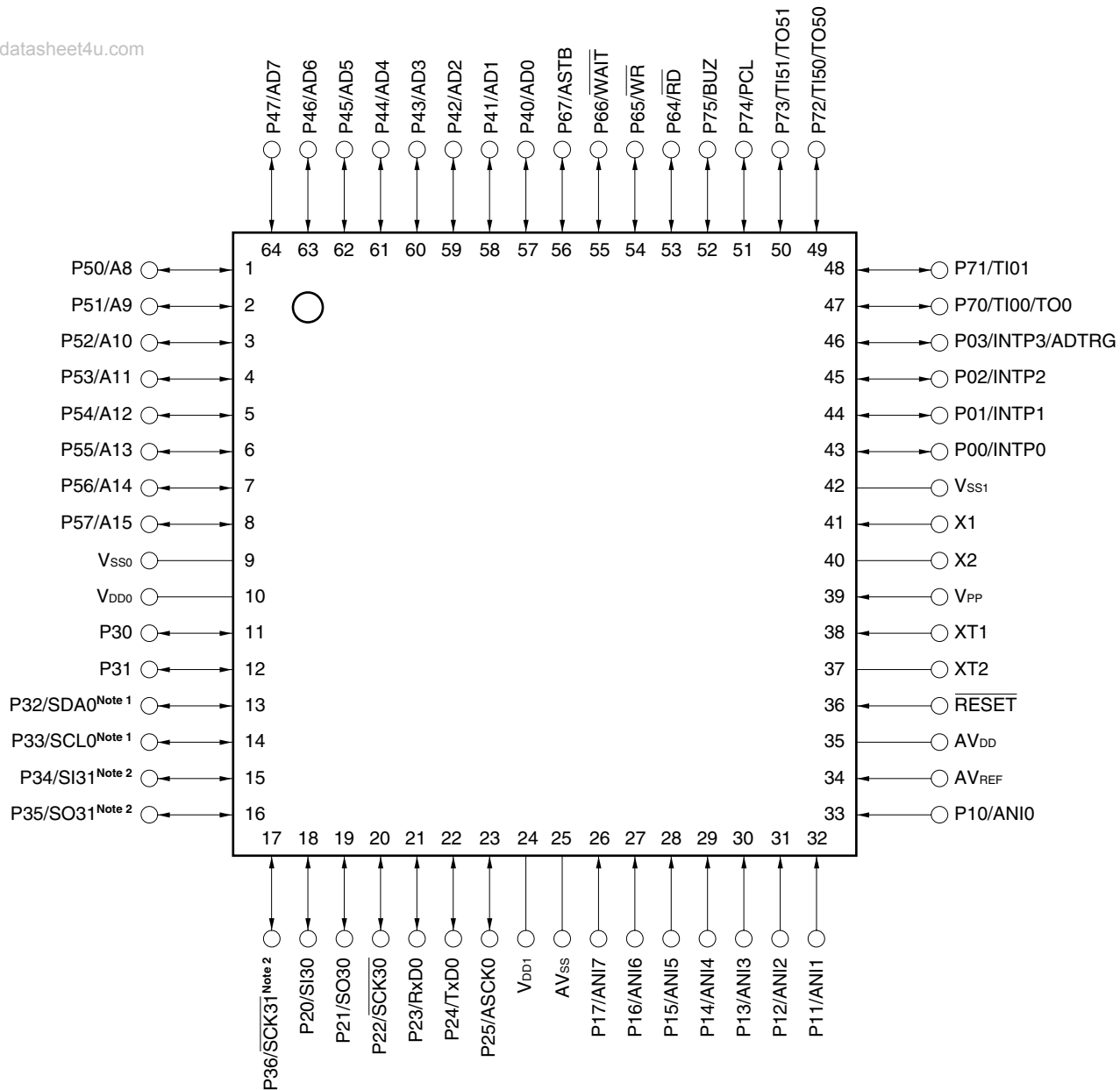
- Notes**
1. SDA0 and SCL0 are incorporated only in the μPD78F0034AY Subseries.
  2. SI31, SO31, and SCK31 are incorporated only in the μPD78F0034A Subseries.

- Cautions**
1. Connect the V<sub>PP</sub> pin directly to V<sub>SS0</sub> or V<sub>SS1</sub> in normal operation mode.
  2. Connect the AV<sub>SS</sub> pin to V<sub>SS0</sub>.

**Remark** When the μPD78F0034A and 78F0034AY are used in application fields that require reduction of the noise generated from inside the microcontroller, the implementation of noise reduction measures, such as supplying voltage to V<sub>DD0</sub> and V<sub>DD1</sub> individually and connecting V<sub>SS0</sub> and V<sub>SS1</sub> to different ground lines, is recommended.

- **64-pin plastic LQFP (10 × 10)**  
μPD78F0034AGB-8EU, 78F0034AYGB-8EU
- **64-pin plastic LQFP (14 × 14)**  
μPD78F0034AGC-8BS, 78F0034AYGC-8BS
- **64-pin plastic QFP (14 × 14)**  
μPD78F0034AGC-AB8, 78F0034AYGC-AB8
- **64-pin plastic TQFP (12 × 12)**  
μPD78F0034AGK-9ET, 78F0034AYGK-9ET

www.datasheet4u.com



- Notes**
1. SDA0 and SCL0 are incorporated only in the μPD78F0034AY Subseries.
  2. SI31, SO31, and SCK31 are incorporated only in the μPD78F0034A Subseries.

- Cautions**
1. Connect the VPP pin directly to VSS0 or VSS1 in normal operation mode.
  2. Connect the AVSS pin to VSS0.

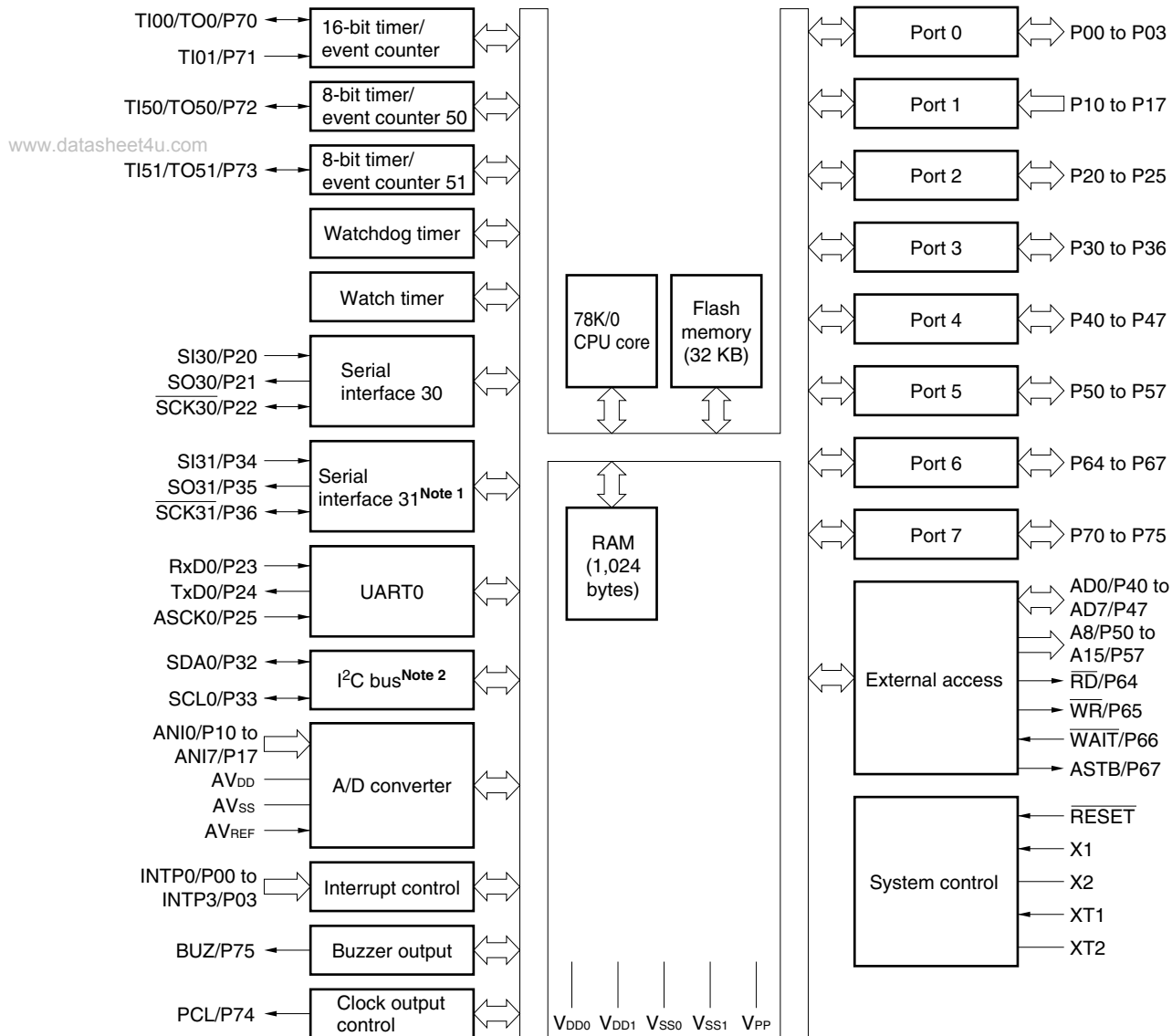
**Remark** When the μPD78F0034A and 78F0034AY are used in application fields that require reduction of the noise generated from inside the microcontroller, the implementation of noise reduction measures, such as supplying voltage to VDD0 and VDD1 individually and connecting VSS0 and VSS1 to different ground lines, is recommended.



A8 to A15:	Address bus	P70 to P75:	Port 7
AD0 to AD7:	Address/data bus	PCL:	Programmable clock
ADTRG:	AD trigger input	$\overline{RD}$ :	Read strobe
ANI0 to ANI7:	Analog input	$\overline{RESET}$ :	Reset
ASCK0:	Asynchronous serial clock	RxD0:	Receive data
ASTB:	Address strobe	$\overline{SCK30}$ , $\overline{SCK31}$ , SCL0:	Serial clock
AVDD:	Analog power supply	SDA0:	Serial data
AVREF:	Analog reference voltage	SI30, SI31:	Serial input
AVss:	Analog ground	SO30, SO31:	Serial output
BUZ:	Buzzer clock	TI00, TI01, TI50, TI51:	Timer input
INTP0 to INTP3:	External interrupt input	TO0, TO50, TO51:	Timer output
P00 to P03:	Port 0	TxD0:	Transmit data
P10 to P17:	Port 1	VDD0, VDD1:	Power supply
P20 to P25:	Port 2	VPP:	Programming power supply
P30 to P36:	Port 3	VSS0, VSS1:	Ground
P40 to P47:	Port 4	$\overline{WAIT}$ :	Wait
P50 to P57:	Port 5	$\overline{WR}$ :	Write strobe
P64 to P67:	Port 6	X1, X2:	Crystal (main system clock)
		XT1, XT2:	Crystal (subsystem clock)

www.datasheet4u.com

2. BLOCK DIAGRAM



- Notes**
1. Incorporated only in the μPD78F0034A
  2. Incorporated only in the μPD78F0034AY

3. PIN FUNCTIONS

3.1 Port Pins (1/2)

Pin Name	I/O	Function		After Reset	Alternate Function	
P00	I/O	Port 0 4-bit I/O port. Input/output can be specified in 1-bit units. An on-chip pull-up resistor can be specified by software.		Input	INTP0	
P01					INTP1	
P02					INTP2	
P03					INTP3/ADTRG	
P10 to P17	Input	Port 1 8-bit input-only port.		Input	ANI0 to ANI7	
P20	I/O	Port 2 6-bit I/O port. Input/output can be specified in 1-bit units. An on-chip pull-up resistor can be specified by software.		Input	SI30	
P21					SO30	
P22					SCK30	
P23					RxD0	
P24					TxD0	
P25					ASCK0	
P30	I/O	Port 3 7-bit I/O port. Input/output can be specified in 1-bit units.	N-ch open-drain I/O port. LEDs can be driven directly.	Input	–	
P31					An on-chip pull-up resistor can be specified by software.	SDA0 <sup>Note 1</sup>
P32						SCL0 <sup>Note 1</sup>
P33		SI31 <sup>Note 2</sup>				
P34		SO31 <sup>Note 2</sup>				
P35		SCK31 <sup>Note 2</sup>				
P36						
P40 to P47	I/O	Port 4 8-bit I/O port. Input/output can be specified in 1-bit units. An on-chip pull-up resistor can be specified by software. Interrupt request flag KRIF is set to 1 by falling edge detection.		Input	AD0 to AD7	
P50 to P57	I/O	Port 5 8-bit I/O port. LEDs can be driven directly. Input/output can be specified in 1-bit units. An on-chip pull-up resistor can be specified by software.		Input	A8 to A15	
P64	I/O	Port 6 4-bit I/O port. Input/output can be specified in 1-bit units. An on-chip pull-up resistor can be specified by software.		Input	$\overline{RD}$	
P65					$\overline{WR}$	
P66					WAIT	
P67					ASTB	

- Notes**
1. SDA0 and SCL0 are incorporated only in the μPD78F0034AY Subseries.
  2. SI31, SO31, and SCK31 are incorporated only in the μPD78F0034A Subseries.

3.1 Port Pins (2/2)

Pin Name	I/O	Function	After Reset	Alternate Function
P70	I/O	Port 7 6-bit I/O port. Input/output can be specified in 1-bit units. An on-chip pull-up resistor can be specified by software.	Input	TI00/TO0
P71				TI01
P72				TI50/TO50
P73				TI51/TO51
P74				PCL
P75				BUZ

3.2 Non-Port Pins (1/2)

Pin Name	I/O	Function	After Reset	Alternate Function
INTP0	Input	External interrupt request input by which the valid edge (rising edge, falling edge, or both rising and falling edges) can be specified.	Input	P00
INTP1				P01
INTP2				P02
INTP3				P03/ADTRG
SI30	Input	Serial interface serial data input.	Input	P20
SI31 <sup>Note 1</sup>				P34
SDA0 <sup>Note 2</sup>	I/O	Serial interface serial data input/output	Input	P32
SO30	Output	Serial interface serial data output.	Input	P21
SO31 <sup>Note 1</sup>				P35
SCK30	I/O	Serial interface serial clock input/output.	Input	P22
SCK31 <sup>Note 1</sup>				P36
SCL0 <sup>Note 2</sup>				P33
RxD0	Input	Serial data input for asynchronous serial interface.	Input	P23
TxD0	Output	Serial data output for asynchronous serial interface.	Input	P24
ASCK0	Input	Serial clock input for asynchronous serial interface.	Input	P25
TI00	Input	External count clock input to 16-bit timer/event counter 0. Capture trigger signal input to capture register 01 (CR01) of 16-bit timer/event counter 0.	Input	P70/TO0
TI01		Capture trigger signal input to capture register 00 (CR00) of 16-bit timer/event counter 0.		P71
TI50		External count clock input to 8-bit timer/event counter 50.		P72/TO50
TI51		External count clock input to 8-bit timer/event counter 51.		P73/TO51
TO0	Output	16-bit timer/event counter 0 output.	Input	P70/TO0
TO50		8-bit timer/event counter 50 output (shared with 8-bit PWM output).	Input	P72/TO50
TO51		8-bit timer/event counter 51 output (shared with 8-bit PWM output).		P73/TO51
PCL	Output	Clock output (for trimming of main system clock and subsystem clock).	Input	P74
BUZ	Output	Buzzer output.	Input	P75
AD0 to AD7	I/O	Lower address/data bus for extending memory externally.	Input	P40 to P47

- Notes**
1. SI31, SO31, and SCK31 are incorporated only in the μPD78F0034A Subseries.
  2. SDA0 and SCL0 are incorporated only in the μPD78F0034AY Subseries.

3.2 Non-Port Pins (2/2)

Pin Name	I/O	Function	After Reset	Alternate Function
A8 to A15	Output	Higher address bus for extending memory externally.	Input	P50 to P57
$\overline{RD}$	Output	Strobe signal output for read operation of external memory.	Input	P64
$\overline{WR}$		Strobe signal output for write operation of external memory.		P65
$\overline{WAIT}$	Input	Inserting wait for accessing external memory.	Input	P66
ASTB	Output	Strobe output which externally latches address information output to ports 4 and 5 to access external memory.	Input	P67
ANI0 to ANI7	Input	A/D converter analog input.	Input	P10 to P17
ADTRG	Input	A/D converter trigger signal input.	Input	P03/INTP3
AV <sub>REF</sub>	Input	A/D converter reference voltage input.	–	–
AV <sub>DD</sub>	–	A/D converter analog power supply. Set the voltage equal to V <sub>DD0</sub> or V <sub>DD1</sub> .	–	–
AV <sub>SS</sub>	–	A/D converter ground potential. Set the voltage equal to V <sub>SS0</sub> or V <sub>SS1</sub> .	–	–
$\overline{RESET}$	Input	System reset input.	–	–
X1	Input	Connecting crystal resonator for main system clock oscillation.	–	–
X2	–		–	–
XT1	Input	Connecting crystal resonator for subsystem clock oscillation.	–	–
XT2	–		–	–
V <sub>DD0</sub>	–	Positive power supply voltage for ports.	–	–
V <sub>SS0</sub>	–	Ground potential of ports.	–	–
V <sub>DD1</sub>	–	Positive power supply (except ports).	–	–
V <sub>SS1</sub>	–	Ground potential (except ports).	–	–
V <sub>PP</sub>	–	Applying high-voltage for program write/verify. Connect directly to V <sub>SS0</sub> or V <sub>SS1</sub> in normal operation mode.	–	–

3.3 Pin I/O Circuits and Recommended Connection of Unused Pins

The input/output circuit type of each pin and recommended connection of unused pins are shown in Table 3-1. For the input/output configuration of each type, refer to Figure 3-1 .

Table 3-1. Types of Pin I/O Circuits (1/2)

Pin Name	I/O Circuit Type	I/O	Recommended Connection of Unused Pins	
P00/INTP0	8-C	I/O	Input: Independently connect to V <sub>SS0</sub> via a resistor. Output: Leave open.	
P01/INTP1				
P02/INTP2				
P03/INTP3/ADTRG				
P10/ANI0 to P17/ANI7	25	Input	Directly connect to V <sub>DD0</sub> or V <sub>SS0</sub> .	
P20/SI30	8-C	I/O	Input: Independently connect to V <sub>DD0</sub> or V <sub>SS0</sub> via a resistor. Output: Leave open.	
P21/SO30	5-H			
P22/SCK30	8-C			
P23/RxD0				
P24/TxD0	5-H			
P25/ASCK0	8-C			
P30, P31	13-P			I/O
P32/SDA0 <sup>Note 1</sup>	13-R			
P33/SCL0 <sup>Note 1</sup>				
P34/SI31 <sup>Note 2</sup>	8-C	Input: Independently connect to V <sub>DD0</sub> or V <sub>SS0</sub> via a resistor. Output: Leave open.		
P35/SO31 <sup>Note 2</sup>	5-H			
P36/SCK31 <sup>Note 2</sup>	8-C			
P40/AD0 to P47/AD7	5-H	I/O	Input: Independently connect to V <sub>DD0</sub> via a resistor. Output: Leave open.	
P50/A8 to P57/A15	5-H	I/O	Input: Independently connect to V <sub>DD0</sub> or V <sub>SS0</sub> via a resistor. Output: Leave open.	
P64/RD		I/O		
P65/WR				
P66/WAIT				
P67/ASTB				
P70/TI00/TO0				8-C
P71/TI01				
P72/TI50/TO50				
P73/TI51/TO51				
P74/PCL	5-H			
P75/BUZ				

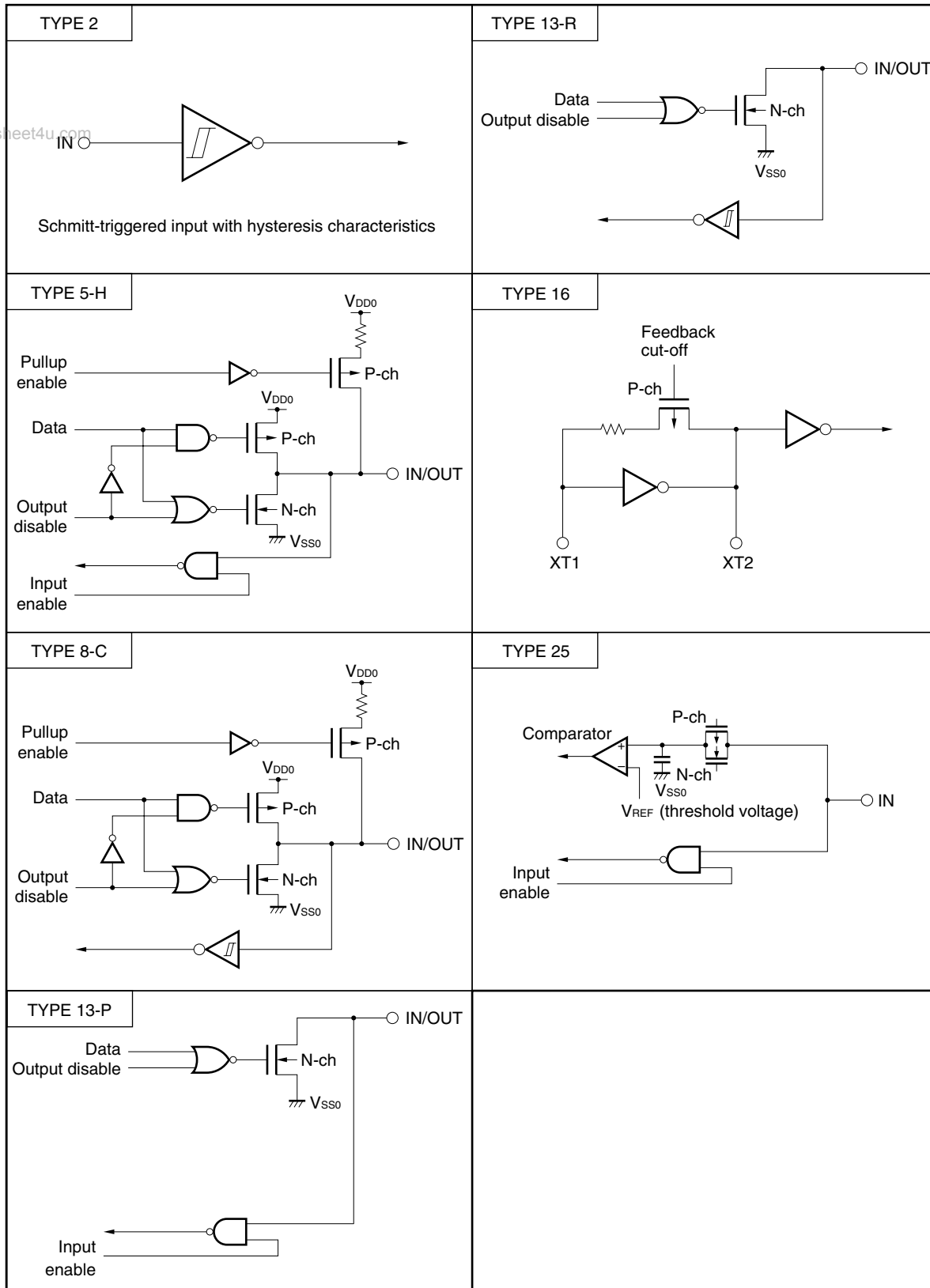
- Notes**
1. SDA0 and SCL0 are incorporated only in the μPD78F0034AY Subseries.
  2. SI31, SO31, and SCK31 are incorporated only in the μPD78F0034A Subseries.

Table 3-1. Types of Pin I/O Circuits (2/2)

Pin Name	I/O Circuit Type	I/O	Recommended Connection of Unused Pins
RESET	2	Input	–
XT1	16		Directly connect to V <sub>DD0</sub> .
XT2		–	Leave open.
AV <sub>DD</sub>	Directly connect to V <sub>DD0</sub> or V <sub>DD1</sub> .		
AV <sub>REF</sub>	Directly connect to V <sub>SS0</sub> or V <sub>SS1</sub> .		
AV <sub>SS</sub>			
V <sub>PP</sub>		Directly connect to V <sub>SS0</sub> or V <sub>SS1</sub> .	

www.datasheet4u.com

Figure 3-1. Pin I/O Circuits





★ 4. DIFFERENCES BETWEEN μPD78F0034A, 78F0034AY, AND MASK ROM VERSIONS

The μPD78F0034A and 78F0034AY are products provided with a flash memory which enables writing, erasing, and rewriting of programs with device mounted on the target system.

The functions of the μPD78F0034A (except the functions specified for flash memory) can be made the same as those of the mask ROM versions by setting the memory size switching register (IMS).

www.datasheet4u.com Tables 4-1 and 4-2 show the differences between the μPD78F0034A, 78F0034AY and the mask ROM versions.

Table 4-1. Differences Between μPD78F0034A and Mask ROM Versions

Item	μPD78F0034A	Mask ROM Versions	
		μPD780034A Subseries	μPD780024A Subseries <sup>Note</sup>
Internal ROM structure	Flash memory	Mask ROM	
Internal ROM capacity	32 KB	μPD780031A: 8 KB μPD780032A: 16 KB μPD780033A: 24 KB μPD780034A: 32 KB	μPD780021A: 8 KB μPD780022A: 16 KB μPD780023A: 24 KB μPD780024A: 32 KB
Internal high-speed RAM capacity	1,024 bytes	μPD780031A: 512 bytes μPD780032A: 512 bytes μPD780033A: 1,024 bytes μPD780034A: 1,024 bytes	μPD780021A: 512 bytes μPD780022A: 512 bytes μPD780023A: 1,024 bytes μPD780024A: 1,024 bytes
Minimum instruction execution time	Minimum instruction execution time variable function incorporated		
When main system clock is selected	0.24 μs/0.48 μs/0.95 μs/ 1.91 μs/3.81 μs (operation at 8.38 MHz, V <sub>DD</sub> = 4.0 to 5.5 V)	0.166 μs/0.333 μs/0.666 μs/1.33 μs/2.66 μs (operation at 12 MHz, V <sub>DD</sub> = 4.5 to 5.5 V)	
When subsystem clock is selected	122 μs (32.768 kHz)		
Clock output	<ul style="list-style-type: none"> <li>65.5 kHz, 131 kHz, 262 kHz, 524 kHz, 1.05 MHz, 2.10 MHz, 4.19 MHz, 8.38 MHz (operation at 8.38 MHz with main system clock)</li> <li>32.768 kHz (operation at 32.768 kHz with subsystem clock)</li> </ul>	<ul style="list-style-type: none"> <li>93.75 kHz, 187.5 kHz, 375 kHz, 750 kHz, 1.25 MHz, 3 MHz, 6 MHz, 12 MHz (operation at 12 MHz with main system clock)</li> <li>32.768 kHz (operation at 32.768 kHz with subsystem clock)</li> </ul>	
Buzzer output	1.02 kHz, 2.5 kHz, 4.10 kHz, 8.19 kHz (operation at 8.38 MHz with main system clock)	1.46 kHz, 2.93 kHz, 5.86 kHz, 11.7 kHz (operation at 12 MHz with main system clock)	
A/D converter resolution	10 bits		8 bits
Mask option specification of on-chip pull-up resistor for pins P30 to P33	Not available	Available	
IC pin	Not provided	Provided	
V <sub>PP</sub> pin	Provided	Not provided	
Electrical specifications, recommended soldering conditions	Refer to the data sheet of individual products.		

**Note** The μPD78F0034A can be used as the flash memory version of the μPD780024A Subseries.

**Caution** There are differences in noise immunity and noise radiation between the flash memory and mask ROM versions. When pre-producing an application set with the flash memory version and then mass producing it with the mask ROM version, be sure to conduct sufficient evaluations on the commercial samples (CS) (not engineering samples (ES)) of the mask ROM versions.

Table 4-2. Differences Between μPD78F0034AY and Mask ROM Versions

Item	μPD78F0034AY	Mask ROM Versions	
		μPD780034AY Subseries	μPD780024AY Subseries <sup>Note</sup>
Internal ROM structure	Flash memory	Mask ROM	
Internal ROM capacity	32 KB	μPD780031AY: 8 KB μPD780032AY: 16 KB μPD780033AY: 24 KB μPD780034AY: 32 KB	μPD780021AY: 8 KB μPD780022AY: 16 KB μPD780023AY: 24 KB μPD780024AY: 32 KB
Internal high-speed RAM capacity	1,024 bytes	μPD780031AY: 512 bytes μPD780032AY: 512 bytes μPD780033AY: 1,024 bytes μPD780034AY: 1,024 bytes	μPD780021AY: 512 bytes μPD780022AY: 512 bytes μPD780023AY: 1,024 bytes μPD780024AY: 1,024 bytes
Minimum instruction execution time	Minimum instruction execution time variable function incorporated		
When main system clock is selected	0.24 μs/0.48 μs/0.95 μs/1.91 μs/3.81 μs (operation at 8.38 MHz, V <sub>DD</sub> = 4.0 to 5.5 V)		
When subsystem clock is selected	122 μs (32.768 kHz)		
Clock output	<ul style="list-style-type: none"> <li>65.5 kHz, 131 kHz, 262 kHz, 524 kHz, 1.05 MHz, 2.10 MHz, 4.19 MHz, 8.38 MHz (operation at 8.38 MHz with main system clock)</li> <li>32.768 kHz (operation at 32.768 kHz with subsystem clock)</li> </ul>		
Buzzer output	1.02 kHz, 2.5 kHz, 4.10 kHz, 8.19 kHz (operation at 8.38 MHz with main system clock)		
A/D converter resolution	10 bits		8 bits
Mask option specification of on-chip pull-up resistor for pins P30 and P31	Not available	Available	
IC pin	Not provided	Provided	
V <sub>PP</sub> pin	Provided	Not provided	
Electrical specifications, recommended soldering conditions	Refer to the data sheet of individual products.		

**Note** The μPD78F0034AY can be used as the flash memory version of the μPD780024AY Subseries.

**Caution** There are differences in noise immunity and noise radiation between the flash memory and mask ROM versions. When pre-producing an application set with the flash memory version and then mass producing it with the mask ROM version, be sure to conduct sufficient evaluations on the commercial samples (CS) (not engineering samples (ES)) of the mask ROM versions.

### 5. MEMORY SIZE SWITCHING REGISTER (IMS)

IMS is a register that is set by software and is used to specify a part of the internal memory that is not to be used. By setting memory size switching register (IMS), the internal memory of the μPD78F0034A and 78F0034AY can be mapped identically to that of a mask ROM version.

IMS is set with an 8-bit memory manipulation instruction.

www.datasheet4u.com  $\overline{\text{RESET}}$  input sets IMS to CFH.

**Caution** The initial value of IMS is setting disabled (CFH). Be sure to set C8H or the value of the target mask ROM version at the moment of initial setting.

Figure 5-1. Format of Memory Size Switching Register

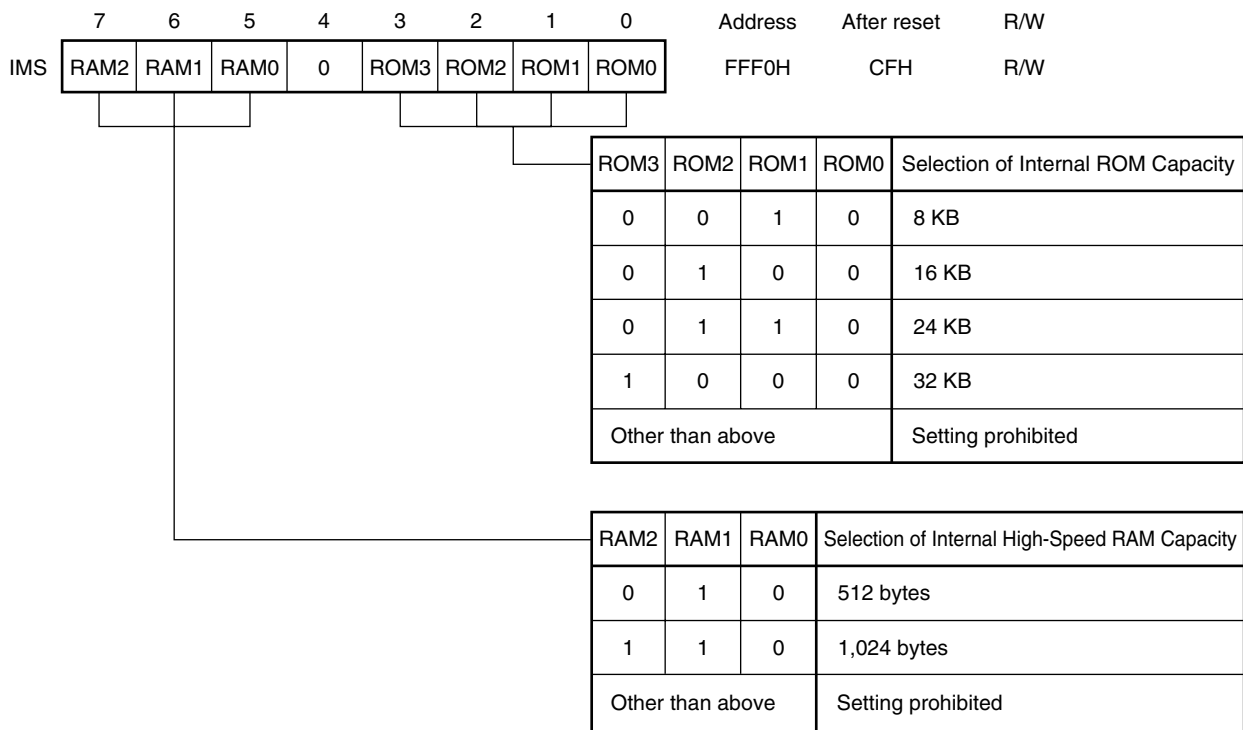


Table 5-1 shows the IMS set value to make the memory mapping the same as those of mask ROM versions.

Table 5-1. Set Value of Memory Size Switching Register

Target Mask ROM Versions	IMS Set Value
μPD780031A, 780031AY	42H
μPD780032A, 780032AY	44H
μPD780033A, 780033AY	C6H
μPD780034A, 780034AY	C8H

## 6. FLASH MEMORY PROGRAMMING

Writing to flash memory can be performed without removing the memory from the target system (on board programming). Writing is performed with the dedicated flash programmer (Flashpro III (part No.: FL-PR3 and PG-FP3)) connected to the host machine and the target system.

Writing to flash memory can also be performed using flash memory writing adapter connected to Flashpro III.

[www.datasheet4u.com](http://www.datasheet4u.com)

**Remark** FL-PR3 is a product of Naito Densai Machida Mfg. Co., Ltd.

### 6.1 Selection of Communication Mode

Writing to a flash memory is performed using Flashpro III in a serial communication. Select one of the communication modes in Tables 6-1 and 6-2. The selection of the communication mode is made by using the format shown in Figure 6-1. Each communication mode is selected by the number of V<sub>PP</sub> pulses shown in Tables 6-1 and 6-2.

**Table 6-1. List of Communication Mode (μPD78F0034A)**

Communication Mode	Channels	Pin Used	V <sub>PP</sub> Pulses
3-wire serial I/O	2	SI30/P20 SO30/P21 SCK30/P22	0
		SI31/P34 SO31/P35 SCK31/P36	1
UART	1	RxD0/P23 TxD0/P24	8
Pseudo 3-wire serial I/O	1	P72/TI50/TO50 (serial clock input) P71/TI01 (serial data output) P70/TI00/TO0 (serial data input)	12

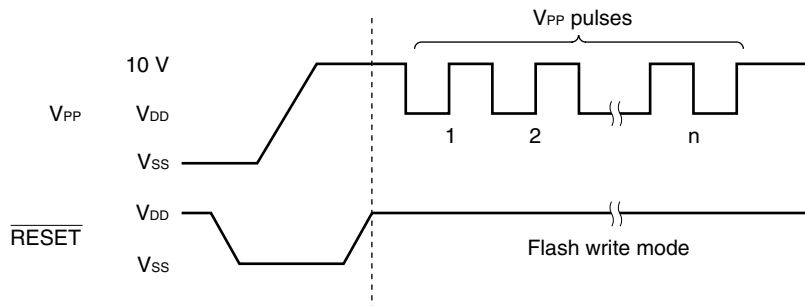
**Caution** Be sure to select a communication mode using the number of V<sub>PP</sub> pulses shown in Table 6-1.

Table 6-2. List of Communication Mode (μPD78F0034AY)

Communication Mode	Channels	Pin Used	V <sub>PP</sub> Pulses
3-wire serial I/O	1	SI30/P20 SO30/P21 SCK30/P22	0
I <sup>2</sup> C bus	1	SDA0/P32 SCL0/P33	4
UART	1	RxD0/P23 TxD0/P24	8
Pseudo 3-wire serial I/O	1	P72/TI50/TO50 (serial clock input) P71/TI01 (serial data output) P70/TI00/TO0 (serial data input)	12

**Caution** Be sure to select a communication mode using the number of V<sub>PP</sub> pulses shown in Table 6-2.

Figure 6-1. Format of Communication Mode Selection



### 6.2 Flash Memory Programming Functions

Operations such as writing to flash memory are performed by various command/data transmission and reception operations according to the selected communication mode. Table 6-3 shows major functions of flash memory programming.

**Table 6-3. Major Functions of Flash Memory Programming**

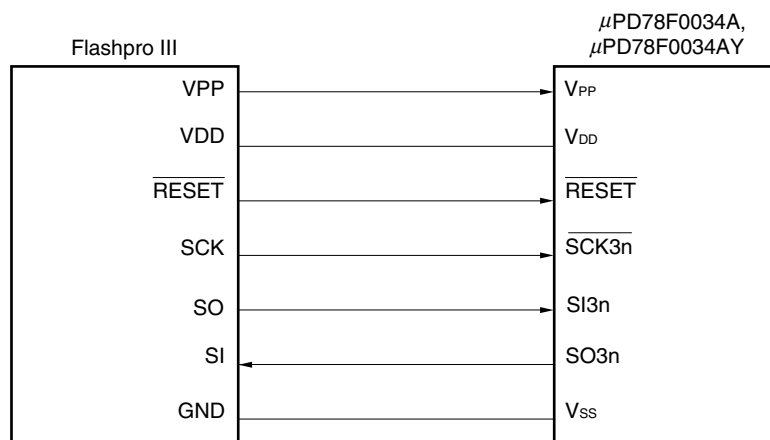
www.datasheet4u.com

Function	Description
Reset	Used to stop write operation and detect transmission cycle.
Batch verify	Compares the entire memory contents with the input data.
Batch erase	Erases the entire memory contents.
Batch blank check	Checks the deletion status of the entire memory.
High-speed write	Performs write to the flash memory based on the write start address and the number of data to be written (number of bytes).
Continuous write	Performs continuous write based on the information input with high-speed write operation.
Status	Used to confirm the current operating mode and operation end.
Oscillation frequency setting	Sets the frequency of the resonator.
Erase time setting	Sets the memory erase time.
Baud rate setting	Sets the communication rate for UART mode
I <sup>2</sup> C mode setting	Sets standard/high-speed mode for I <sup>2</sup> C bus mode
Silicon signature read	Outputs the device name and memory capacity, and device block information.

### 6.3 Connection of Flashpro III

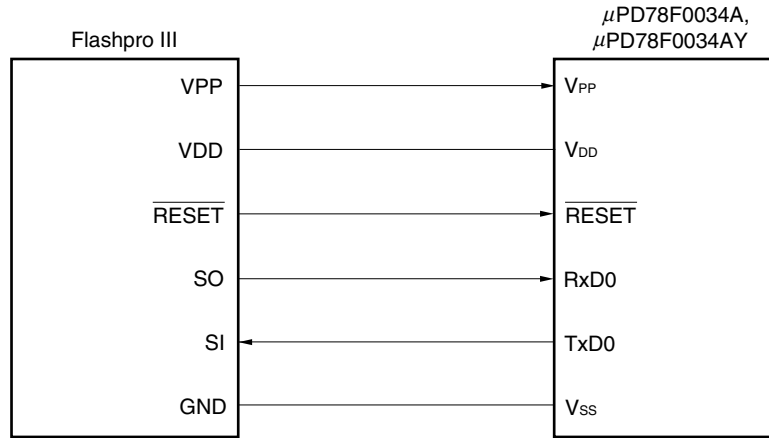
The connection of Flashpro III and the μPD78F0034A or 78F0034AY differs according to the communication mode (3-wire serial I/O, UART, pseudo 3-wire serial I/O, and I<sup>2</sup>C bus). The connection for each communication mode is shown in Figures 6-2 to 6-5, respectively.

**Figure 6-2. Connection of Flashpro III in 3-Wire Serial I/O Mode**



**Remark** μPD78F0034A: n = 0, 1  
 μPD78F0034AY: n = 0

Figure 6-3. Connection of Flashpro III for UART Mode



www.datasheet4u.com

Figure 6-4. Connection of Flashpro III for Pseudo 3-Wire Serial I/O Mode

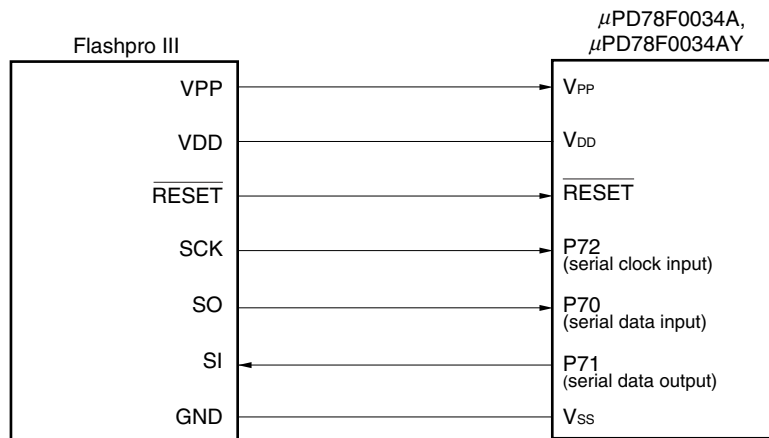
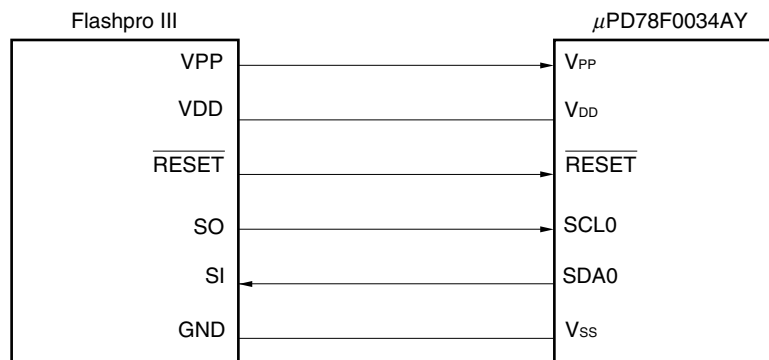


Figure 6-5. Connection of Flashpro III for I<sup>2</sup>C Bus Mode (μPD78F0034AY only)



7. ELECTRICAL SPECIFICATIONS

Absolute Maximum Ratings (T<sub>A</sub> = 25°C)

Parameter	Symbol	Conditions		Ratings	Unit
Supply voltage	V <sub>DD</sub>			-0.3 to +6.5	V
	V <sub>PP</sub>			-0.3 to +10.5	V
	A <sub>V</sub> DD			-0.3 to V <sub>DD</sub> + 0.3 <sup>Note</sup>	V
	A <sub>V</sub> REF			-0.3 to V <sub>DD</sub> + 0.3 <sup>Note</sup>	V
	A <sub>V</sub> SS			-0.3 to +0.3	V
Input voltage	V <sub>I1</sub>	P00 to P03, P10 to P17, P20 to P25, P34 to P36, P40 to P47, P50 to P57, P64 to P67, P70 to P75, X1, X2, XT1, XT2, RESET		-0.3 to V <sub>DD</sub> + 0.3 <sup>Note</sup>	V
	V <sub>I2</sub>	P30 to P33	N-ch open drain	-0.3 to +6.5	V
Output voltage	V <sub>O</sub>			-0.3 to V <sub>DD</sub> + 0.3 <sup>Note</sup>	V
Analog input voltage	V <sub>AN</sub>	P10 to P17	Analog input pin	A <sub>V</sub> SS -0.3 to A <sub>V</sub> REF + 0.3 <sup>Note</sup> and -0.3 to V <sub>DD</sub> + 0.3 <sup>Note</sup>	V
Output current, high	I <sub>OH</sub>	Per pin		-10	mA
		Total for P00 to P03, P40 to P47, P50 to P57, P64 to P67, P70 to P75		-15	mA
		Total for P20 to P25, P30 to P36		-15	mA
Output current, low	I <sub>OL</sub>	Per pin for P00 to P03, P20 to P25, P34 to P36, P40 to P47, P64 to P67, P70 to P75		20	mA
		Per pin for P30 to P33, P50 to P57		30	mA
		Total for P00 to P03, P40 to P47, P64 to P67, P70 to P75		50	mA
		Total for P20 to P25		20	mA
		Total for P30 to P36		100	mA
		Total for P50 to P57		100	mA
Operating ambient temperature	T <sub>A</sub>	During normal operation		-40 to +85	°C
		During flash memory programming		+10 to +40	°C
Storage temperature	T <sub>stg</sub>			-40 to +125	°C

**Note** 6.5 V or below

**Caution** Product quality may suffer if the absolute maximum rating is exceeded even momentarily for any parameter. That is, the absolute maximum ratings are rated values at which the product is on the verge of suffering physical damage, and therefore the product must be used under conditions that ensure that the absolute maximum ratings are not exceeded.



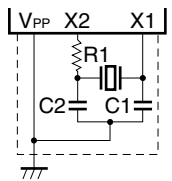
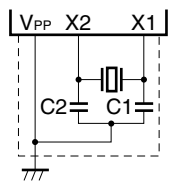
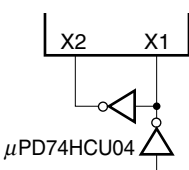
**Capacitance (T<sub>A</sub> = 25°C, V<sub>DD</sub> = V<sub>SS</sub> = 0 V)**

Parameter	Symbol	Conditions		MIN.	TYP.	MAX.	Unit
Input capacitance	C <sub>IN</sub>	f = 1 MHz Unmeasured pins returned to 0 V.				15	pF
I/O capacitance	C <sub>IO</sub>	f = 1 MHz Unmeasured pins returned to 0 V.	P00 to P03, P20 to P25, P34 to P36, P40 to P47, P50 to P57, P64 to P67, P70 to P75,			15	pF
			P30 to P33			20	pF

www.datasheet4u.com

**Remark** Unless otherwise specified, the characteristics of alternate-function pins are the same as those of port pins.

**Main System Clock Oscillator Characteristics (T<sub>A</sub> = -40 to +85°C, V<sub>DD</sub> = 1.8 to 5.5 V)**

Resonator	Recommended Circuit	Parameter	Conditions	MIN.	TYP.	MAX.	Unit
Ceramic resonator		Oscillation frequency (f <sub>x</sub> ) <sup>Note 1</sup>	V <sub>DD</sub> = 4.0 to 5.5 V	1.0		8.38	MHz
			V <sub>DD</sub> = 1.8 to 5.5 V	1.0		5.0	
		Oscillation stabilization time <sup>Note 2</sup>	After V <sub>DD</sub> reaches oscillation voltage range MIN.			4	ms
Crystal resonator		Oscillation frequency (f <sub>x</sub> ) <sup>Note 1</sup>	V <sub>DD</sub> = 4.0 to 5.5 V	1.0		8.38	MHz
			V <sub>DD</sub> = 1.8 to 5.5 V	1.0		5.0	
		Oscillation stabilization time <sup>Note 2</sup>	V <sub>DD</sub> = 4.0 to 5.5 V			10	ms
			V <sub>DD</sub> = 1.8 to 5.5 V			30	
External clock		X1 input frequency (f <sub>x</sub> ) <sup>Note 1</sup>	V <sub>DD</sub> = 4.0 to 5.5 V	1.0		8.38	MHz
			V <sub>DD</sub> = 1.8 to 5.5 V	1.0		5.0	
		X1 input high-/low-level width (t <sub>xH</sub> , t <sub>xL</sub> )	V <sub>DD</sub> = 4.0 to 5.5 V	50		500	ns
			V <sub>DD</sub> = 1.8 to 5.5 V	85		500	

- Notes** 1. Indicates only oscillator characteristics. Refer to **AC Characteristics** for instruction execution time.  
 2. Time required to stabilize oscillation after reset or STOP mode release.

**Cautions** 1. When using the main system clock oscillator, wire as follows in the area enclosed by the broken lines in the above figures to avoid an adverse effect from wiring capacitance.

- Keep the wiring length as short as possible.
- Do not cross the wiring with the other signal lines.
- Do not route the wiring near a signal line through which a high fluctuating current flows.
- Always make the ground point of the oscillator capacitor to the same potential as V<sub>SS1</sub>.
- Do not ground the capacitor to a ground pattern through which a high current flows.
- Do not fetch signals from the oscillator.

2. When the main system clock is stopped and the system is operating on the subsystem clock, wait until the oscillation stabilization time has been secured by the program before switching back to the main system clock.

Subsystem Clock Oscillator Characteristics (T<sub>A</sub> = -40 to +85°C, V<sub>DD</sub> = 1.8 to 5.5 V)

Resonator	Recommended Circuit	Parameter	Conditions	MIN.	TYP.	MAX.	Unit
Crystal resonator		Oscillation frequency (f <sub>X1</sub> ) <sup>Note 1</sup>		32	32.768	35	kHz
		Oscillation stabilization time <sup>Note 2</sup>	V <sub>DD</sub> = 4.0 to 5.5 V		1.2	2	s
V <sub>DD</sub> = 1.8 to 5.5 V				10			
External clock		X1 input frequency (f <sub>X1</sub> ) <sup>Note 1</sup>		32		38.5	kHz
		X1 input high-/low-level width (t <sub>XTH</sub> , t <sub>XTL</sub> )		5		15	μs

- Notes**
1. Indicates only oscillator characteristics. Refer to **AC Characteristics** for instruction execution time.
  2. Time required to stabilize oscillation after V<sub>DD</sub> reaches oscillator voltage MIN.

**Cautions** 1. When using the subsystem clock oscillator, wire as follows in the area enclosed by the broken lines in the above figures to avoid an adverse effect from wiring capacitance.

- Keep the wiring length as short as possible.
  - Do not cross the wiring with the other signal lines.
  - Do not route the wiring near a signal line through which a high fluctuating current flows.
  - Always make the ground point of the oscillator capacitor to the same potential as V<sub>SS1</sub>.
  - Do not ground the capacitor to a ground pattern through which a high current flows.
  - Do not fetch signals from the oscillator.
2. The subsystem clock oscillator is designed as a low-amplitude circuit for reducing current consumption, and is more prone to malfunction due to noise than the main system clock oscillator. Particular care is therefore required with the wiring method when the subsystem clock is used.

**Recommended Oscillator Constant**

**Main System Clock: Ceramic Resonator (T<sub>A</sub> = -40 to +85°C)**

Manufacturer	Part Number	Frequency (MHz)	Recommended Circuit Constant			Oscillation Voltage Range	
			C1 (pF)	C2 (pF)	R1 (kΩ)	MIN. (V)	MAX. (V)
Murata Mg. Co., Ltd.	CSBFB1M00J58	1.00	100	100	2.2	1.9	5.5
	CSBLA1M00J58	1.00	100	100	2.2	1.9	5.5
	CSTCC2M00G56	2.00	On chip	On chip	0	1.8	5.5
	CSTLS2M00G56	2.00	On chip	On chip	0	1.8	5.5
	CSTCC3M58G53	3.58	On chip	On chip	0	1.8	5.5
	CSTLS3M58G53	3.58	On chip	On chip	0	1.8	5.5
	CSTCR4M00G53	4.00	On chip	On chip	0	1.8	5.5
	CSTLS4M00G53	4.00	On chip	On chip	0	1.8	5.5
	CSTCR4M19G53	4.19	On chip	On chip	0	1.8	5.5
	CSTLS4M19G53	4.19	On chip	On chip	0	1.8	5.5
	CSTCR4M91G53	4.91	On chip	On chip	0	1.8	5.5
	CSTLS4M91G53	4.91	On chip	On chip	0	1.8	5.5
	CSTCR5M00G53	5.00	On chip	On chip	0	2.7	5.5
	CSTLS5M00G53	5.00	On chip	On chip	0	2.7	5.5
	CSTCE8M00G52	8.00	On chip	On chip	0	2.7	5.5
	CSTLS8M00G53	8.00	On chip	On chip	0	2.7	5.5
	CSTLS8M00G53093	8.00	On chip	On chip	0	2.7	5.5
	CSTCE8M38G52	8.38	On chip	On chip	0	3.0	5.5
	CSTLS8M38G53	8.38	On chip	On chip	0	3.0	5.5
	CSTLS8M38G53093	8.38	On chip	On chip	0	3.0	5.5
	CSTCE10M0G52	10.00	On chip	On chip	0	4.5	5.5
	CSTLS10M0G53	10.00	On chip	On chip	0	4.5	5.5
	CSTLS10M0G53093	10.00	On chip	On chip	0	4.5	5.5
	CSTCE12M0G52	12.00	On chip	On chip	0	4.5	5.5
TDK	CCR3.58MC3	3.58	On-chip	On-chip	0	1.8	5.5
	CCR4.19MC3	4.19	On-chip	On-chip	0	1.8	5.5
	CCR5.0MC3	5.00	On-chip	On-chip	0	1.8	5.5
	CCR8.0MC5	8.00	On-chip	On-chip	0	4.0	5.5
	CCR8.38MC5	8.38	On-chip	On-chip	0	4.0	5.5

**Caution** The oscillator constant and oscillation voltage range indicate conditions of stable oscillation. Oscillation frequency precision is not guaranteed. For applications requiring oscillation frequency precision, the oscillation frequency must be adjusted on the implementation circuit. For details please contact directly the manufacturer of the resonator you will use.

DC Characteristics (T<sub>A</sub> = -40 to +85°C, V<sub>DD</sub> = 1.8 to 5.5 V)

Parameter	Symbol	Conditions		MIN.	TYP.	MAX.	Unit
Output current, high	I <sub>OH</sub>	Per pin				-1	mA
		All pins				-15	mA
Output current, low	I <sub>OL</sub>	Per pin for P00 to P03, P20 to P25, P34 to P36, P40 to P47, P64 to P67, P70 to P75				10	mA
		Per pin for P30 to P33, P50 to P57				15	mA
		Total for P00 to P03, P40 to P47, P64 to P67, P70 to P75				20	mA
		Total for P20 to P25				10	mA
		Total for P30 to P36				70	mA
		Total for P50 to P57				70	mA
Input voltage, high	V <sub>IH1</sub>	P10 to P17, P21, P24, P35, P40 to P47, P50 to P57, P64 to P67, P74, P75	V <sub>DD</sub> = 2.7 to 5.5 V	0.7V <sub>DD</sub>		V <sub>DD</sub>	V
			V <sub>DD</sub> = 1.8 to 5.5 V	0.8V <sub>DD</sub>		V <sub>DD</sub>	V
	V <sub>IH2</sub>	P00 to P03, P20, P22, P23, P25, P34, P36, P70 to P73, RESET	V <sub>DD</sub> = 2.7 to 5.5 V	0.8V <sub>DD</sub>		V <sub>DD</sub>	V
			V <sub>DD</sub> = 1.8 to 5.5 V	0.85V <sub>DD</sub>		V <sub>DD</sub>	V
	V <sub>IH3</sub>	P30 to P33 (N-ch open-drain)	V <sub>DD</sub> = 2.7 to 5.5 V	0.7V <sub>DD</sub>		5.5	V
				0.8V <sub>DD</sub>		5.5	V
	V <sub>IH4</sub>	X1, X2	V <sub>DD</sub> = 2.7 to 5.5 V	V <sub>DD</sub> - 0.5		V <sub>DD</sub>	V
			V <sub>DD</sub> = 1.8 to 5.5 V	V <sub>DD</sub> - 0.2		V <sub>DD</sub>	V
	V <sub>IH5</sub>	XT1, XT2	V <sub>DD</sub> = 4.0 to 5.5 V	0.8V <sub>DD</sub>		V <sub>DD</sub>	V
				0.9V <sub>DD</sub>		V <sub>DD</sub>	V
Input voltage, low	V <sub>IL1</sub>	P10 to P17, P21, P24, P35, P40 to P47, P50 to P57, P64 to P67, P74, P75	V <sub>DD</sub> = 2.7 to 5.5 V	0		0.3V <sub>DD</sub>	V
			V <sub>DD</sub> = 1.8 to 5.5 V	0		0.2V <sub>DD</sub>	V
	V <sub>IL2</sub>	P00 to P03, P20, P22, P23, P25, P34, P36, P70 to P73, RESET	V <sub>DD</sub> = 2.7 to 5.5 V	0		0.2V <sub>DD</sub>	V
			V <sub>DD</sub> = 1.8 to 5.5 V	0		0.15V <sub>DD</sub>	V
	V <sub>IL3</sub>	P30 to P33	4.0 V ≤ V <sub>DD</sub> ≤ 5.5 V	0		0.3V <sub>DD</sub>	V
			2.7 V ≤ V <sub>DD</sub> < 4.0 V	0		0.2V <sub>DD</sub>	V
			1.8 V ≤ V <sub>DD</sub> < 2.7	0		0.1V <sub>DD</sub>	V
	V <sub>IL4</sub>	X1, X2	V <sub>DD</sub> = 2.7 to 5.5 V	0		0.4	V
			V <sub>DD</sub> = 1.8 to 5.5 V	0		0.2	V
	V <sub>IL5</sub>	XT1, XT2	V <sub>DD</sub> = 4.0 to 5.5 V	0		0.2V <sub>DD</sub>	V
V <sub>DD</sub> = 1.8 to 5.5 V			0		0.1V <sub>DD</sub>	V	
Output voltage, high	V <sub>OH1</sub>	V <sub>DD</sub> = 4.0 to 5.5 V, I <sub>OH</sub> = -1 mA		V <sub>DD</sub> - 1.0		V <sub>DD</sub>	V
		I <sub>OH</sub> = -100 μA		V <sub>DD</sub> - 0.5		V <sub>DD</sub>	V
Output voltage, low	V <sub>OL1</sub>	P30 to P33	V <sub>DD</sub> = 4.0 to 5.5 V, I <sub>OL</sub> = 15 mA			2.0	V
		P50 to P57			0.4	2.0	V
		P00 to P03, P20 to P25, P34 to P36, P40 to P47, P64 to P67, P70 to P75				0.4	V
	V <sub>OL2</sub>	I <sub>OL</sub> = 400 μA				0.5	V

**Remark** Unless otherwise specified, the characteristics of alternate-function pins are the same as those of port pins.

DC Characteristics (T<sub>A</sub> = -40 to +85°C, V<sub>DD</sub> = 1.8 to 5.5 V)

Parameter	Symbol	Conditions		MIN.	TYP.	MAX.	Unit
Input leakage current, high	I <sub>LIH1</sub>	V <sub>IN</sub> = V <sub>DD</sub>	P00 to P03, P10 to P17, P20 to P25, P34 to P36, P40 to P47, P50 to P57, P64 to P67, P70 to P75, $\overline{\text{RESET}}$			3	μA
	I <sub>LIH2</sub>		X1, X2, XT1, XT2			20	μA
	I <sub>LIH3</sub>	V <sub>IN</sub> = 5.5 V	P30 to P33			3	μA
Input leakage current, low	I <sub>LIL1</sub>	V <sub>IN</sub> = 0 V	P00 to P03, P10 to P17, P20 to P25, P34 to P36, P40 to P47, P50 to P57, P64 to P67, P70 to P75, $\overline{\text{RESET}}$			-3	μA
	I <sub>LIL2</sub>		X1, X2, XT1, XT2			-20	μA
	I <sub>LIL3</sub>		P30 to P33			-3	μA
Output leakage current, high	I <sub>LOH</sub>	V <sub>OUT</sub> = V <sub>DD</sub>				3	μA
Output leakage current, low	I <sub>LOL</sub>	V <sub>OUT</sub> = 0 V				-3	μA
Software pull-up resistor	R	V <sub>IN</sub> = 0 V, P00 to P03, P20 to P25, P34 to P36, P40 to P47, P50 to P57, P64 to P67, P70 to P75		15	30	90	kΩ

**Remark** Unless otherwise specified, the characteristics of alternate-function pins are the same as those of port pins.

DC Characteristics (T<sub>A</sub> = -40 to +85°C, V<sub>DD</sub> = 1.8 to 5.5 V)

Parameter	Symbol	Conditions		MIN.	TYP.	MAX.	Unit	
Supply current <sup>Note 1</sup>	I <sub>DD1</sub>	8.38 MHz crystal oscillation operating mode	V <sub>DD</sub> = 5.0 V ±10% <sup>Note 2</sup>	A/D converter stopped		10.5	21	mA
				A/D converter operating		11.5	23	mA
		5.00 MHz crystal oscillation operation mode	V <sub>DD</sub> = 3.0 V ±10% <sup>Note 2</sup>	A/D converter stopped		4.5	9	mA
				A/D converter operating		5.5	11	mA
		V <sub>DD</sub> = 2.0 V ±10% <sup>Note 3</sup>	A/D converter stopped		1	2	mA	
			A/D converter operating		2	6	mA	
	I <sub>DD2</sub>	8.38 MHz crystal oscillation HALT mode	V <sub>DD</sub> = 5.0 V ±10% <sup>Note 2</sup>	Peripheral functions stopped		1.2	2.4	mA
				Peripheral functions operating			5	mA
		5.00 MHz crystal oscillation HALT mode	V <sub>DD</sub> = 3.0 V ±10% <sup>Note 2</sup>	Peripheral functions stopped		0.4	0.8	mA
				Peripheral functions operating			1.7	mA
		V <sub>DD</sub> = 2.0 V ±10% <sup>Note 3</sup>	Peripheral functions stopped		0.2	0.4	mA	
			Peripheral functions operating			1.1	mA	
	I <sub>DD3</sub>	32.768 kHz crystal oscillation operating mode <sup>Note 4</sup>	V <sub>DD</sub> = 5.0 V ±10% <sup>Note 2</sup>	V <sub>DD</sub> = 5.0 V ±10% <sup>Note 2</sup>		115	230	μA
				V <sub>DD</sub> = 3.0 V ±10% <sup>Note 2</sup>		95	190	μA
				V <sub>DD</sub> = 2.0 V ±10% <sup>Note 3</sup>		75	150	μA
I <sub>DD4</sub>	32.768 kHz crystal oscillation HALT mode <sup>Note 4</sup>	V <sub>DD</sub> = 5.0 V ±10% <sup>Note 2</sup>	V <sub>DD</sub> = 5.0 V ±10% <sup>Note 2</sup>		30	60	μA	
			V <sub>DD</sub> = 3.0 V ±10% <sup>Note 2</sup>		6	18	μA	
			V <sub>DD</sub> = 2.0 V ±10% <sup>Note 3</sup>		2	10	μA	
I <sub>DD5</sub>	XT1 = V <sub>DD</sub> , STOP mode When feed-back resistor not used	V <sub>DD</sub> = 5.0 V ±10% <sup>Note 2</sup>	V <sub>DD</sub> = 5.0 V ±10% <sup>Note 2</sup>		0.1	30	μA	
			V <sub>DD</sub> = 3.0 V ±10% <sup>Note 2</sup>		0.05	10	μA	
			V <sub>DD</sub> = 2.0 V ±10% <sup>Note 3</sup>		0.05	10	μA	

- Notes**
- Refers to the total current flowing through the internal power supply (V<sub>DD0</sub> and V<sub>DD1</sub>). Includes peripheral operating current (however, current flowing through the pull-up resistors of ports and the AV<sub>REF</sub> pin is not included).
  - When the processor clock control register (PCC) is set to 00H.
  - When PCC is set to 02H.
  - When the main system clock is stopped.

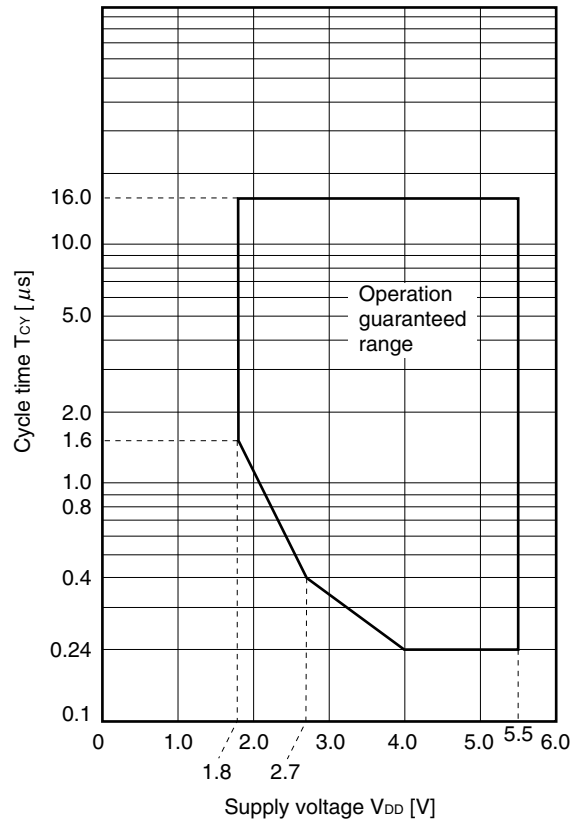
AC Characteristics

(1) Basic operation (T<sub>A</sub> = -40 to +85°C, V<sub>DD</sub> = 1.8 to 5.5 V)

Parameter	Symbol	Conditions	MIN.	TYP.	MAX.	Unit	
Cycle time (Min. instruction execution time)	T <sub>cy</sub>	Operating on main system clock	4.0 V ≤ V <sub>DD</sub> ≤ 5.5 V	0.24		16	μs
			2.7 V ≤ V <sub>DD</sub> < 4.0 V	0.4		16	μs
			1.8 V ≤ V <sub>DD</sub> < 2.7 V	1.6		16	μs
		Operating on subsystem clock		103.9 <sup>Note 1</sup>	122	125	μs
TI00, TI01 input high-/low-level width	t <sub>TIH0</sub> , t <sub>TIL0</sub>	4.0 V ≤ V <sub>DD</sub> ≤ 5.5 V	2f <sub>sam</sub> + 0.1 <sup>Note 2</sup>			μs	
		2.7 V ≤ V <sub>DD</sub> < 4.0 V	2f <sub>sam</sub> + 0.2 <sup>Note 2</sup>			μs	
		1.8 V ≤ V <sub>DD</sub> < 2.7 V	2f <sub>sam</sub> + 0.5 <sup>Note 2</sup>			μs	
TI50, TI51 input frequency	f <sub>TI5</sub>	V <sub>DD</sub> = 2.7 to 5.5 V	0		4	MHz	
		V <sub>DD</sub> = 1.8 to 5.5 V	0		275	kHz	
TI50, TI51 input high-/low-level width	t <sub>TIH5</sub> , t <sub>TIL5</sub>	V <sub>DD</sub> = 2.7 to 5.5 V	100			ns	
		V <sub>DD</sub> = 1.8 to 5.5 V	1.8			μs	
Interrupt request input high-/low- level width	t <sub>INTH</sub> , t <sub>INTL</sub>	INTP0 to INTP3, P40 to P47	V <sub>DD</sub> = 2.7 to 5.5 V	1		μs	
			V <sub>DD</sub> = 1.8 to 5.5 V	2		μs	
RESET low-level width	t <sub>RSL</sub>	V <sub>DD</sub> = 2.7 to 5.5 V	10			μs	
		V <sub>DD</sub> = 1.8 to 5.5 V	20			μs	

- Notes**
- Value when using an external clock. When using a crystal resonator, the value becomes 114 μs (MIN.).
  - Selection of f<sub>sam</sub> = f<sub>x</sub>, f<sub>x</sub>/4, f<sub>x</sub>/64 is possible using bits 0 and 1 (PRM00, PRM01) of prescaler mode register 0 (PRM0). However, if the TI00 valid edge is selected as the count clock, the value becomes f<sub>sam</sub> = f<sub>x</sub>/8.

T<sub>CY</sub> vs. V<sub>DD</sub> (main system clock)



www.datasheet4u.com



(2) Read/write operation (T<sub>A</sub> = -40 to +85°C, V<sub>DD</sub> = 4.0 to 5.5 V)

(1/3)

Parameter	Symbol	Conditions	MIN.	MAX.	Unit
ASTB high-level width	t <sub>ASTH</sub>		0.3t <sub>cy</sub>		ns
Address setup time	t <sub>ADS</sub>		20		ns
Address hold time	t <sub>ADH</sub>		6		ns
Input time from address to data	t <sub>ADD1</sub>			(2 + 2n)t <sub>cy</sub> - 54	ns
	t <sub>ADD2</sub>			(3 + 2n)t <sub>cy</sub> - 60	ns
Output time from $\overline{RD}\downarrow$ to address	t <sub>RDAD</sub>		0	100	ns
Input time from $\overline{RD}\downarrow$ to data	t <sub>RDD1</sub>			(2 + 2n)t <sub>cy</sub> - 87	ns
	t <sub>RDD2</sub>			(3 + 2n)t <sub>cy</sub> - 93	ns
Read data hold time	t <sub>RDH</sub>		0		ns
$\overline{RD}$ low-level width	t <sub>RDL1</sub>		(1.5 + 2n)t <sub>cy</sub> - 33		ns
	t <sub>RDL2</sub>		(2.5 + 2n)t <sub>cy</sub> - 33		ns
Input time from $\overline{RD}\downarrow$ to $\overline{WAIT}\downarrow$	t <sub>RDWT1</sub>			t <sub>cy</sub> - 43	ns
	t <sub>RDWT2</sub>			t <sub>cy</sub> - 43	ns
Input time from $\overline{WR}\downarrow$ to $\overline{WAIT}\downarrow$	t <sub>WRWT</sub>			t <sub>cy</sub> - 25	ns
$\overline{WAIT}$ low-level width	t <sub>WTL</sub>		(0.5 + n)t <sub>cy</sub> + 10	(2 + 2n)t <sub>cy</sub>	ns
Write data setup time	t <sub>WDS</sub>		60		ns
Write data hold time	t <sub>WDH</sub>		6		ns
$\overline{WR}$ low-level width	t <sub>WRL1</sub>		(1.5 + 2n)t <sub>cy</sub> - 15		ns
Delay time from $\overline{ASTB}\downarrow$ to $\overline{RD}\downarrow$	t <sub>ASTRD</sub>		6		ns
Delay time from $\overline{ASTB}\downarrow$ to $\overline{WR}\downarrow$	t <sub>ASTWR</sub>		2t <sub>cy</sub> - 15		ns
Delay time from $\overline{RD}\uparrow$ to $\overline{ASTB}\uparrow$ in external fetch	t <sub>RDAST</sub>		0.8t <sub>cy</sub> - 15	1.2t <sub>cy</sub>	ns
Hold time from $\overline{RD}\uparrow$ to address in external fetch	t <sub>RDADH</sub>		0.8t <sub>cy</sub> - 15	1.2t <sub>cy</sub> + 30	ns
Write data output time from $\overline{RD}\uparrow$	t <sub>RDWD</sub>		40		ns
Write data output time from $\overline{WR}\downarrow$	t <sub>WRWD</sub>		10	60	ns
Hold time from $\overline{WR}\uparrow$ to address	t <sub>WRADH</sub>		0.8t <sub>cy</sub> - 15	1.2t <sub>cy</sub> + 30	ns
Delay time from $\overline{WAIT}\uparrow$ to $\overline{RD}\uparrow$	t <sub>WTRD</sub>		0.8t <sub>cy</sub>	2.5t <sub>cy</sub> + 25	ns
Delay time from $\overline{WAIT}\uparrow$ to $\overline{WR}\uparrow$	t <sub>WTWR</sub>		0.8t <sub>cy</sub>	2.5t <sub>cy</sub> + 25	ns

**Remarks** 1. t<sub>cy</sub> = T<sub>cy</sub>/4

2. n indicates the number of waits.

3. C<sub>L</sub> = 100 pF (C<sub>L</sub> is the load capacitance of the AD0 to AD7, A8 to A15,  $\overline{RD}$ ,  $\overline{WR}$ ,  $\overline{WAIT}$ , and ASTB pins.)

(2) Read/write operation (T<sub>A</sub> = -40 to +85°C, V<sub>DD</sub> = 2.7 to 4.0 V)

(2/3)

www.data-sheet4u.com

Parameter	Symbol	Conditions	MIN.	MAX.	Unit
ASTB high-level width	t <sub>ASTH</sub>		0.3t <sub>cy</sub>		ns
Address setup time	t <sub>ADS</sub>		30		ns
Address hold time	t <sub>ADH</sub>		10		ns
Input time from address to data	t <sub>ADD1</sub>			(2 + 2n)t <sub>cy</sub> - 108	ns
	t <sub>ADD2</sub>			(3 + 2n)t <sub>cy</sub> - 120	ns
Output time from $\overline{RD}\downarrow$ to address	t <sub>RDAD</sub>		0	200	ns
Input time from $\overline{RD}\downarrow$ to data	t <sub>RDD1</sub>			(2 + 2n)t <sub>cy</sub> - 148	ns
	t <sub>RDD2</sub>			(3 + 2n)t <sub>cy</sub> - 162	ns
Read data hold time	t <sub>RDH</sub>		0		ns
$\overline{RD}$ low-level width	t <sub>RDL1</sub>		(1.5 + 2n)t <sub>cy</sub> - 40		ns
	t <sub>RDL2</sub>		(2.5 + 2n)t <sub>cy</sub> - 40		ns
Input time from $\overline{RD}\downarrow$ to $\overline{WAIT}\downarrow$	t <sub>RDWT1</sub>			t <sub>cy</sub> - 75	ns
	t <sub>RDWT2</sub>			t <sub>cy</sub> - 60	ns
Input time from $\overline{WR}\downarrow$ to $\overline{WAIT}\downarrow$	t <sub>WRWT</sub>			t <sub>cy</sub> - 50	ns
$\overline{WAIT}$ low-level width	t <sub>WTL</sub>		(0.5 + 2n)t <sub>cy</sub> + 10	(2 + 2n)t <sub>cy</sub>	ns
Write data setup time	t <sub>WDS</sub>		60		ns
Write data hold time	t <sub>WDH</sub>		10		ns
$\overline{WR}$ low-level width	t <sub>WRL1</sub>		(1.5 + 2n)t <sub>cy</sub> - 30		ns
Delay time from $\overline{ASTB}\downarrow$ to $\overline{RD}\downarrow$	t <sub>ASTRD</sub>		10		ns
Delay time from $\overline{ASTB}\downarrow$ to $\overline{WR}\downarrow$	t <sub>ASTWR</sub>		2t <sub>cy</sub> - 30		ns
Delay time from $\overline{RD}\uparrow$ to $\overline{ASTB}\uparrow$ in external fetch	t <sub>RDAST</sub>		0.8t <sub>cy</sub> - 30	1.2t <sub>cy</sub>	ns
Hold time from $\overline{RD}\uparrow$ to address in external fetch	t <sub>RDADH</sub>		0.8t <sub>cy</sub> - 30	1.2t <sub>cy</sub> + 60	ns
Write data output time from $\overline{RD}\uparrow$	t <sub>RDWD</sub>		40		ns
Write data output time from $\overline{WR}\downarrow$	t <sub>WRWD</sub>		20	120	ns
Hold time from $\overline{WR}\uparrow$ to address	t <sub>WRADH</sub>		0.8t <sub>cy</sub> - 30	1.2t <sub>cy</sub> + 60	ns
Delay time from $\overline{WAIT}\uparrow$ to $\overline{RD}\uparrow$	t <sub>WTRD</sub>		0.5t <sub>cy</sub>	2.5t <sub>cy</sub> + 50	ns
Delay time from $\overline{WAIT}\uparrow$ to $\overline{WR}\uparrow$	t <sub>WTWR</sub>		0.5t <sub>cy</sub>	2.5t <sub>cy</sub> + 50	ns

- Remarks**
1. t<sub>cy</sub> = T<sub>cy</sub>/4
  2. n indicates the number of waits.
  3. C<sub>L</sub> = 100 pF (C<sub>L</sub> is the load capacitance of the AD0 to AD7, A8 to A15,  $\overline{RD}$ ,  $\overline{WR}$ ,  $\overline{WAIT}$ , and  $\overline{ASTB}$  pins.)

(2) Read/write operation (T<sub>A</sub> = -40 to +85°C, V<sub>DD</sub> = 1.8 to 2.7 V)

(3/3)

Parameter	Symbol	Conditions	MIN.	MAX.	Unit
ASTB high-level width	t <sub>ASTH</sub>		0.3t <sub>cy</sub>		ns
Address setup time	t <sub>ADS</sub>		120		ns
Address hold time	t <sub>ADH</sub>		20		ns
Input time from address to data	t <sub>ADD1</sub>			(2 + 2n)t <sub>cy</sub> - 233	ns
	t <sub>ADD2</sub>			(3 + 2n)t <sub>cy</sub> - 240	ns
Output time from $\overline{RD}\downarrow$ to address	t <sub>RDAD</sub>		0	400	ns
Input time from $\overline{RD}\downarrow$ to data	t <sub>RDD1</sub>			(2 + 2n)t <sub>cy</sub> - 325	ns
	t <sub>RDD2</sub>			(3 + 2n)t <sub>cy</sub> - 332	ns
Read data hold time	t <sub>RDH</sub>		0		ns
$\overline{RD}$ low-level width	t <sub>RDL1</sub>		(1.5 + 2n)t <sub>cy</sub> - 92		ns
	t <sub>RDL2</sub>		(2.5 + 2n)t <sub>cy</sub> - 92		ns
Input time from $\overline{RD}\downarrow$ to $\overline{WAIT}\downarrow$	t <sub>RDWT1</sub>			t <sub>cy</sub> - 350	ns
	t <sub>RDWT2</sub>			t <sub>cy</sub> - 132	ns
Input time from $\overline{WR}\downarrow$ to $\overline{WAIT}\downarrow$	t <sub>WRWT</sub>			t <sub>cy</sub> - 100	ns
$\overline{WAIT}$ low-level width	t <sub>WTL</sub>		(0.5 + 2n)t <sub>cy</sub> + 10	(2 + 2n)t <sub>cy</sub>	ns
Write data setup time	t <sub>WDS</sub>		60		ns
Write data hold time	t <sub>WDH</sub>		20		ns
$\overline{WR}$ low-level width	t <sub>WRL1</sub>		(1.5 + 2n)t <sub>cy</sub> - 60		ns
Delay time from $\overline{ASTB}\downarrow$ to $\overline{RD}\downarrow$	t <sub>ASTRD</sub>		20		ns
Delay time from $\overline{ASTB}\downarrow$ to $\overline{WR}\downarrow$	t <sub>ASTWR</sub>		2t <sub>cy</sub> - 60		ns
Delay time from $\overline{RD}\uparrow$ to $\overline{ASTB}\uparrow$ in external fetch	t <sub>RDAST</sub>		0.8t <sub>cy</sub> - 60	1.2t <sub>cy</sub>	ns
Hold time from $\overline{RD}\uparrow$ to address in external fetch	t <sub>RDADH</sub>		0.8t <sub>cy</sub> - 60	1.2t <sub>cy</sub> + 120	ns
Write data output time from $\overline{RD}\uparrow$	t <sub>RDWD</sub>		40		ns
Write data output time from $\overline{WR}\downarrow$	t <sub>WRWD</sub>		40	240	ns
Hold time from $\overline{WR}\uparrow$ to address	t <sub>WRADH</sub>		0.8t <sub>cy</sub> - 60	1.2t <sub>cy</sub> + 120	ns
Delay time from $\overline{WAIT}\uparrow$ to $\overline{RD}\uparrow$	t <sub>WTRD</sub>		0.5t <sub>cy</sub>	2.5t <sub>cy</sub> + 100	ns
Delay time from $\overline{WAIT}\uparrow$ to $\overline{WR}\uparrow$	t <sub>WTWR</sub>		0.5t <sub>cy</sub>	2.5t <sub>cy</sub> + 100	ns

Remarks 1. t<sub>cy</sub> = T<sub>cy</sub>/4

2. n indicates the number of waits.

3. C<sub>L</sub> = 100 pF (C<sub>L</sub> is the load capacitance of the AD0 to AD7, A8 to A15,  $\overline{RD}$ ,  $\overline{WR}$ ,  $\overline{WAIT}$ , and  $\overline{ASTB}$  pins.)

(3) Serial interface (T<sub>A</sub> = -40 to +85°C, V<sub>DD</sub> = 1.8 to 5.5 V)

(a) 3-wire serial I/O mode ( $\overline{\text{SCK3n}}$ ... internal clock output)

Parameter	Symbol	Conditions	MIN.	TYP.	MAX.	Unit
$\overline{\text{SCK3n}}$ cycle time	t <sub>KCY1</sub>	4.0 V ≤ V <sub>DD</sub> ≤ 5.5 V	954			ns
		2.7 V ≤ V <sub>DD</sub> < 4.0 V	1,600			ns
		1.8 V ≤ V <sub>DD</sub> < 2.7 V	3,200			ns
$\overline{\text{SCK3n}}$ high-/low-level width	t <sub>KH1</sub>	V <sub>DD</sub> = 4.0 to 5.5 V	t <sub>KCY1</sub> /2 - 50			ns
	t <sub>KL1</sub>	V <sub>DD</sub> = 1.8 to 5.5 V	t <sub>KCY1</sub> /2 - 100			ns
SI3n setup time (to $\overline{\text{SCK3n}}$ ↑)	t <sub>SIK1</sub>	4.0 V ≤ V <sub>DD</sub> ≤ 5.5 V	100			ns
		2.7 V ≤ V <sub>DD</sub> < 4.0 V	150			ns
		1.8 V ≤ V <sub>DD</sub> < 2.7 V	300			ns
SI3n hold time (from $\overline{\text{SCK3n}}$ ↑)	t <sub>SIH1</sub>		400			ns
Output delay time from $\overline{\text{SCK3n}}$ ↓ to SO3n	t <sub>KSO1</sub>	C = 100 pF <sup>Note</sup>			300	ns

**Note** C is the load capacitance of the  $\overline{\text{SCK3n}}$  and SO3n output lines.

(b) 3-wire serial I/O mode ( $\overline{\text{SCK3n}}$ ... external clock input)

Parameter	Symbol	Conditions	MIN.	TYP.	MAX.	Unit
$\overline{\text{SCK3n}}$ cycle time	t <sub>KCY2</sub>	4.0 V ≤ V <sub>DD</sub> ≤ 5.5 V	800			ns
		2.7 V ≤ V <sub>DD</sub> < 4.0 V	1,600			ns
		1.8 V ≤ V <sub>DD</sub> < 2.7 V	3,200			ns
$\overline{\text{SCK3n}}$ high-/low-level width	t <sub>KH2</sub>	4.0 V ≤ V <sub>DD</sub> ≤ 5.5 V	400			ns
	t <sub>KL2</sub>	2.7 V ≤ V <sub>DD</sub> < 4.0 V	800			ns
		1.8 V ≤ V <sub>DD</sub> < 2.7 V	1,600			ns
SI3n setup time (to $\overline{\text{SCK3n}}$ ↑)	t <sub>SIK2</sub>		100			ns
SI3n hold time (from $\overline{\text{SCK3n}}$ ↑)	t <sub>SIH2</sub>		400			ns
Output delay time from $\overline{\text{SCK3n}}$ ↓ to SO3n	t <sub>KSO2</sub>	C = 100 pF <sup>Note</sup>			300	ns

**Note** C is the load capacitance of the SO3n output line.

**Remark** μPD78F0034A: n = 0, 1  
 μPD78F0034AY: n = 0

**(c) UART mode (dedicated baud rate generator output)**

Parameter	Symbol	Conditions	MIN.	TYP.	MAX.	Unit
Transfer rate		$4.0\text{ V} \leq V_{DD} \leq 5.5\text{ V}$			131,031	bps
		$2.7\text{ V} \leq V_{DD} < 4.0\text{ V}$			78,125	bps
		$1.8\text{ V} \leq V_{DD} < 2.7\text{ V}$			39,063	bps

www.datasheet4u.com

**(d) UART mode (external clock input)**

Parameter	Symbol	Conditions	MIN.	TYP.	MAX.	Unit
ASCK0 cycle time	t <sub>KCY3</sub>	$4.0\text{ V} \leq V_{DD} \leq 5.5\text{ V}$	800			ns
		$2.7\text{ V} \leq V_{DD} < 4.0\text{ V}$	1,600			ns
		$1.8\text{ V} \leq V_{DD} < 2.7\text{ V}$	3,200			ns
ASCK0 high-/low-level width	t <sub>KH3</sub> ,	$4.0\text{ V} \leq V_{DD} \leq 5.5\text{ V}$	400			ns
		$2.7\text{ V} \leq V_{DD} < 4.0\text{ V}$	800			ns
	t <sub>KL3</sub>	$1.8\text{ V} \leq V_{DD} < 2.7\text{ V}$	1,600			ns
Transfer rate		$4.0\text{ V} \leq V_{DD} \leq 5.5\text{ V}$			39,063	bps
		$2.7\text{ V} \leq V_{DD} < 4.0\text{ V}$			19,531	bps
		$1.8\text{ V} \leq V_{DD} < 2.7\text{ V}$			9,766	bps

**(e) UART mode (infrared data transfer mode)**

Parameter	Symbol	Conditions	MIN.	MAX.	Unit
Transfer rate		$V_{DD} = 4.0\text{ to }5.5\text{ V}$		131,031	bps
Bit rate allowable error		$V_{DD} = 4.0\text{ to }5.5\text{ V}$		±0.87	%
Output pulse width		$V_{DD} = 4.0\text{ to }5.5\text{ V}$	1.2	0.24/fbr <sup>Note</sup>	μs
Input pulse width		$V_{DD} = 4.0\text{ to }5.5\text{ V}$	4/fx		μs

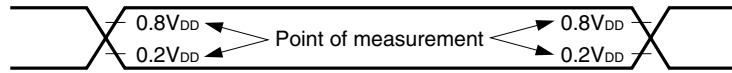
**Note** fbr: Specified baud rate

(f) I<sup>2</sup>C bus Mode (μPD78F0034AY only)

Parameter		Symbol	Standard Mode		High-Speed Mode		Unit
			MIN.	MAX.	MIN.	MAX.	
SCL0 clock frequency		f <sub>CLK</sub>	0	100	0	400	kHz
Bus free time (between stop and start condition)		t <sub>BUF</sub>	4.7	–	1.3	–	μs
Hold time <sup>Note 1</sup>		t <sub>HD:STA</sub>	4.0	–	0.6	–	μs
SCL0 clock low-level width		t <sub>LOW</sub>	4.7	–	1.3	–	μs
SCL0 clock high-level width		t <sub>HIGH</sub>	4.0	–	0.6	–	μs
Start/restart condition setup time		t <sub>SU:STA</sub>	4.7	–	0.6	–	μs
Data hold time	CBUS compatible master	t <sub>HD:DAT</sub>	5.0	–	–	–	μs
	I <sup>2</sup> C bus		0 <sup>Note 2</sup>	–	0 <sup>Note 2</sup>	0.9 <sup>Note 3</sup>	μs
Data setup time		t <sub>SU:DAT</sub>	250	–	100 <sup>Note 4</sup>	–	ns
SDA0 and SCL0 signal rise time		t <sub>R</sub>	–	1,000	20 + 0.1Cb <sup>Note 5</sup>	300	ns
SDA0 and SCL0 signal fall time		t <sub>F</sub>	–	300	20 + 0.1Cb <sup>Note 5</sup>	300	ns
Stop condition setup time		t <sub>SU:STO</sub>	4.0	–	0.6	–	μs
Spike pulse width controlled by input filter		t <sub>SP</sub>	–	–	0	50	ns
Capacitive load per each bus line		C <sub>b</sub>	–	400	–	400	pF

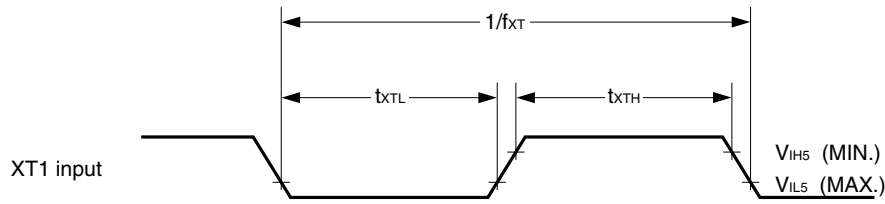
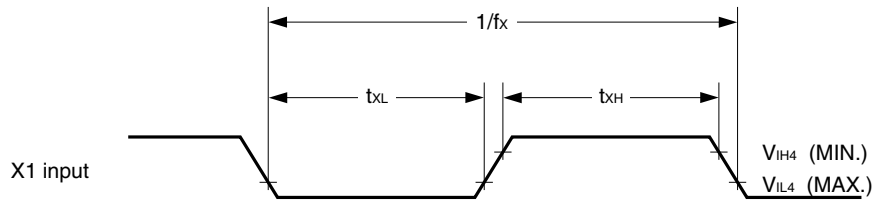
- Notes**
- In the start condition, the first clock pulse is generated after this hold time.
  - To fill in the undefined area of the SCL0 falling edge, it is necessary for the device to internally provide at least 300 ns of hold time for the SDA0 signal (which is V<sub>IHmin.</sub> of the SCL0 signal).
  - If the device does not extend the SCL0 signal low hold time (t<sub>LOW</sub>), only maximum data hold time t<sub>HD:DAT</sub> needs to be fulfilled.
  - The high-speed mode I<sup>2</sup>C bus is available in a standard mode I<sup>2</sup>C bus system. At this time, the conditions described below must be satisfied.
    - If the device does not extend the SCL0 signal low state hold time  
t<sub>SU:DAT</sub> ≥ 250 ns
    - If the device extends the SCL0 signal low state hold time  
Be sure to transmit the next data bit to the SDA0 line before the SCL0 line is released (t<sub>Rmax.</sub> + t<sub>SU:DAT</sub> = 1,000 + 250 = 1,250 ns by standard mode I<sup>2</sup>C bus specification).
  - C<sub>b</sub>: Total capacitance per one bus line (unit: pF)

AC Timing Measurement Point (Excluding X1, XT1 Input)

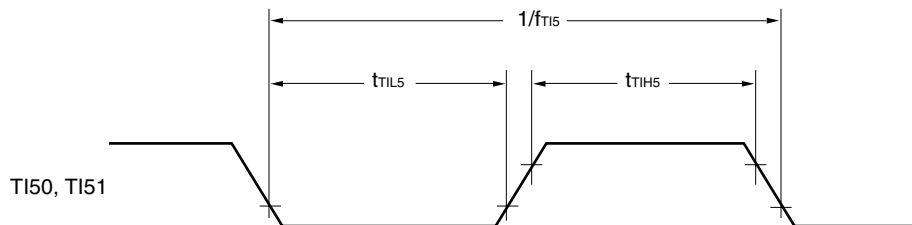
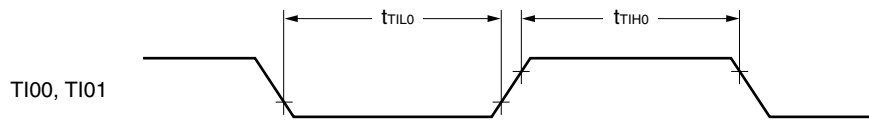


www.datasheet4u.com

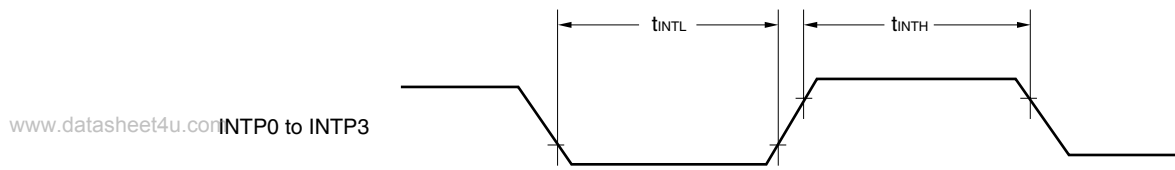
Clock Timing



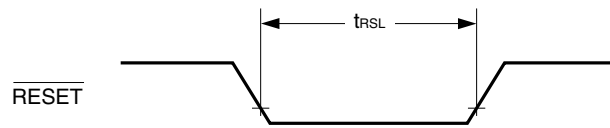
TI Timing



Interrupt Request Input Timing



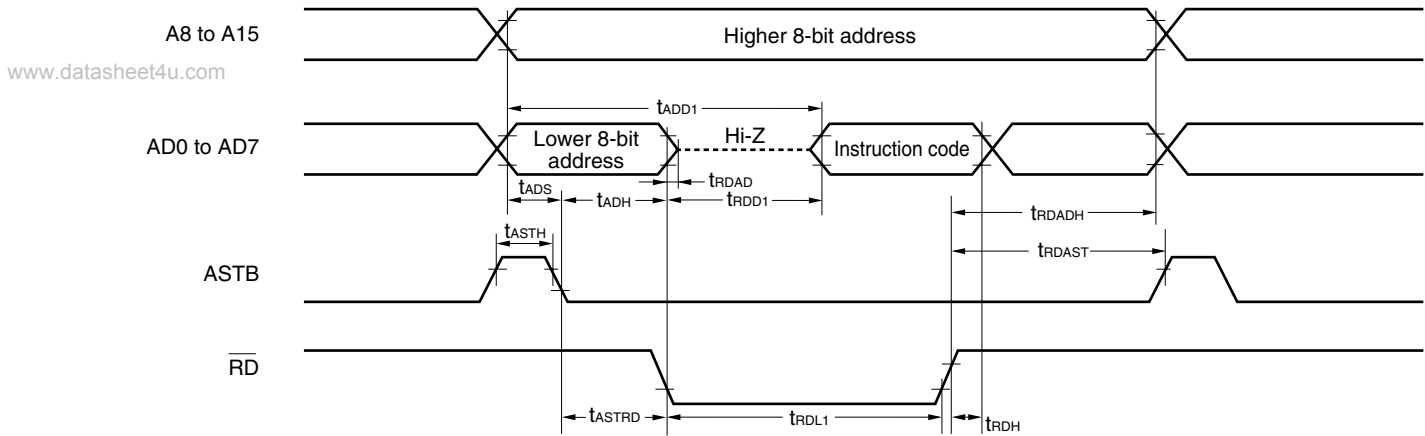
$\overline{\text{RESET}}$  Input Timing



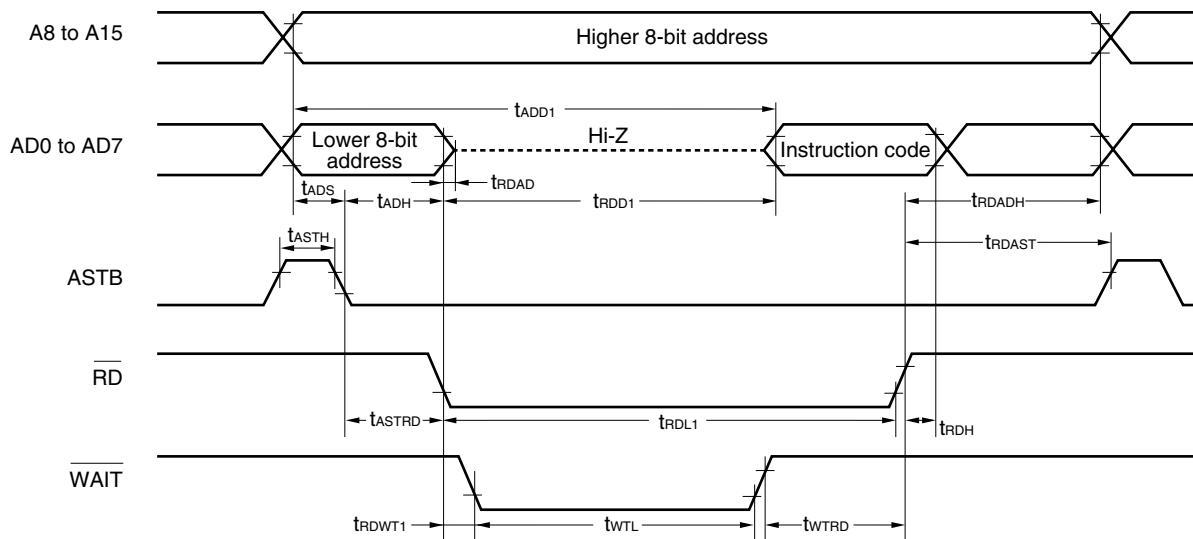


Read/Write Operation

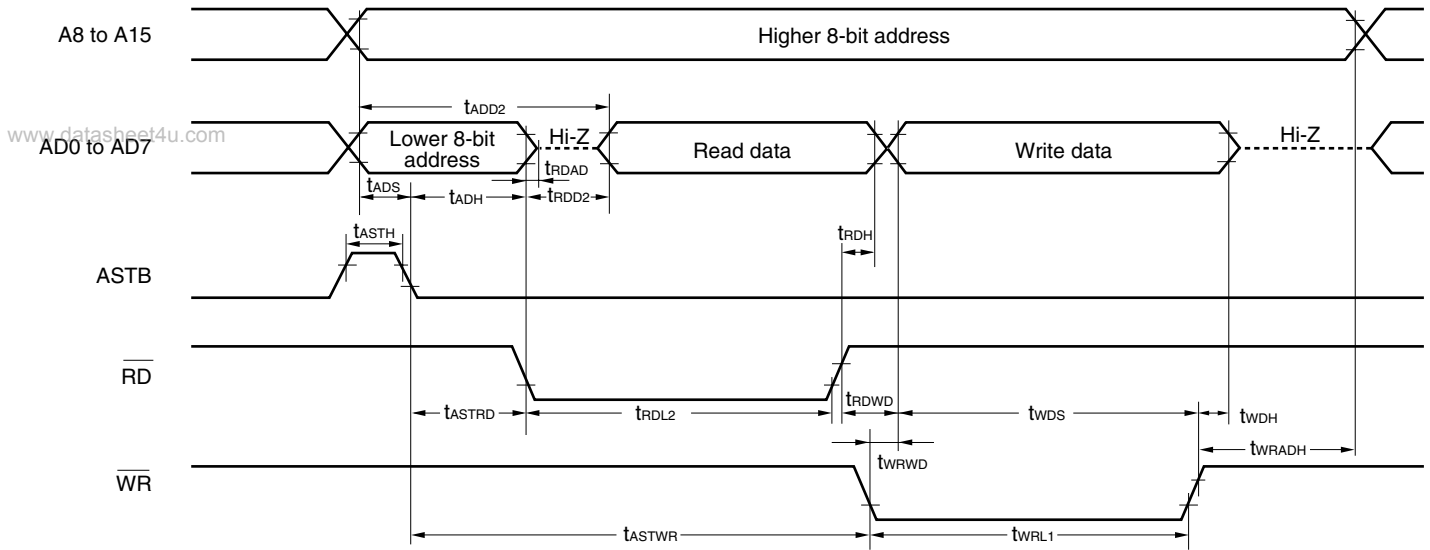
External fetch (no wait):



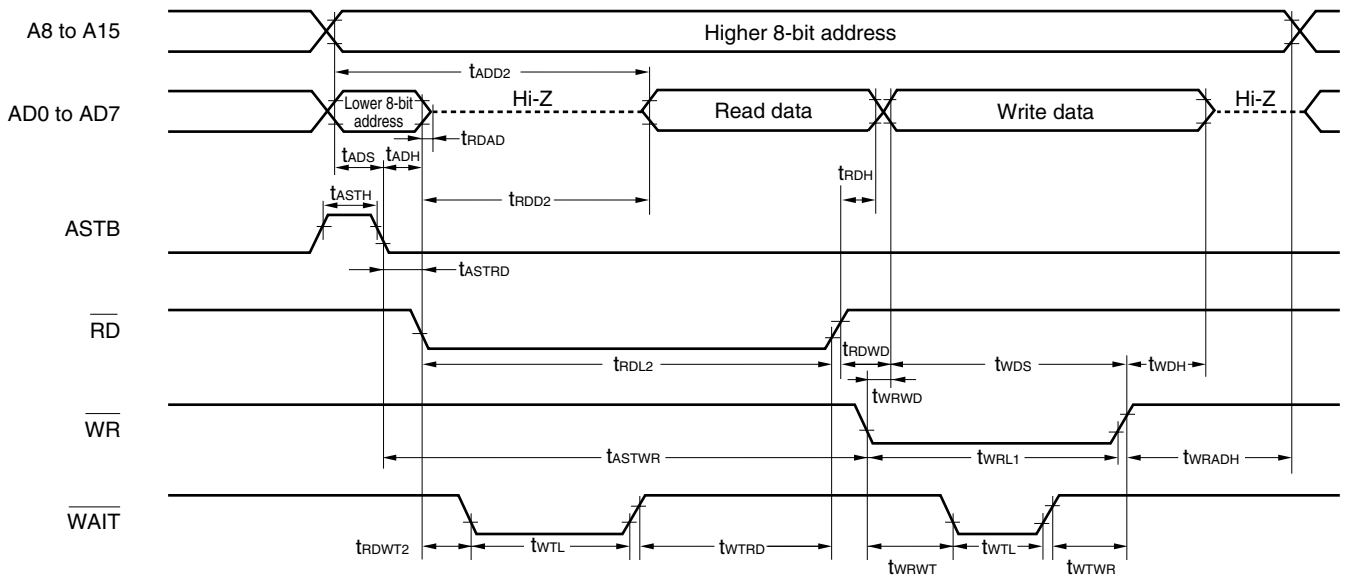
External fetch (wait insertion):



External data access (no wait):



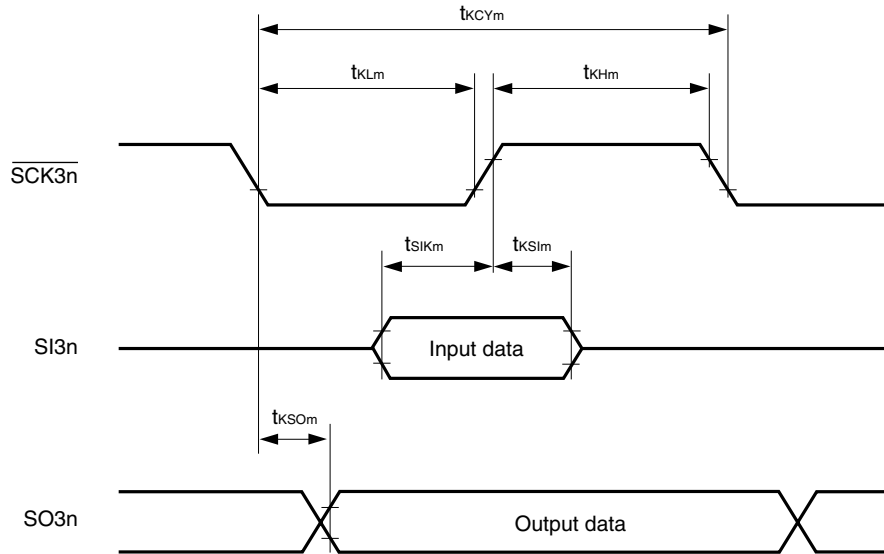
External data access (wait insertion):



Serial Transfer Timing

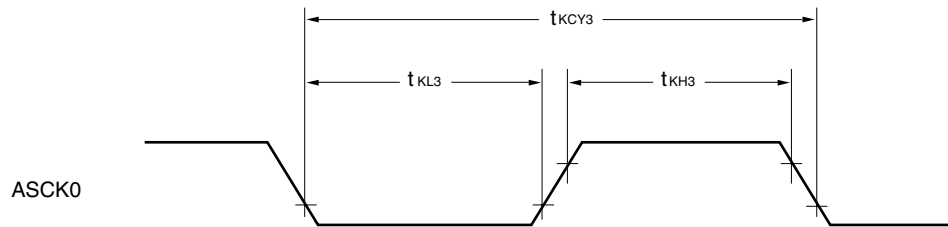
3-wire serial I/O mode:

www.datasheet4u.com

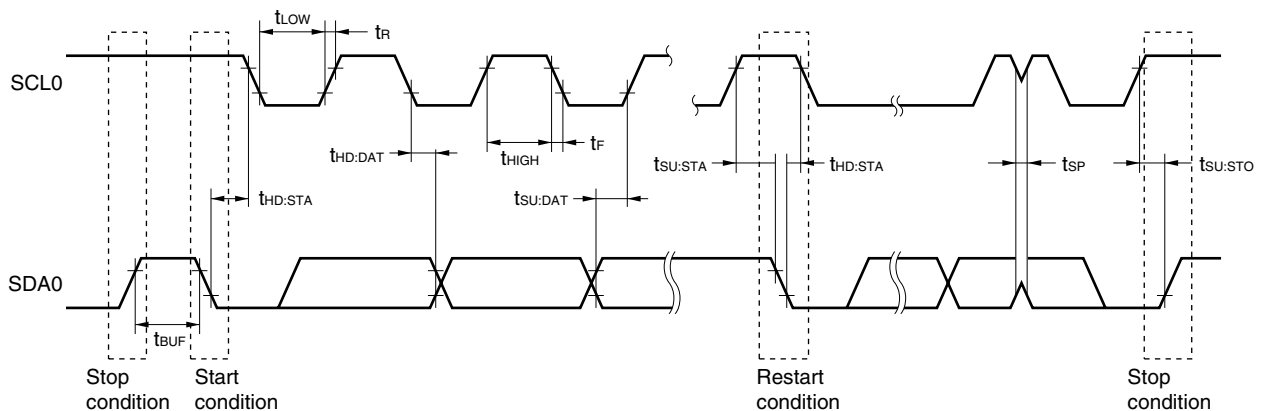


- Remarks
1.  $m = 1, 2$
  2.  $\mu$ PD78F0034A:  $n = 0, 1$
  3.  $\mu$ PD78F0034AY:  $n = 0$

UART mode (external clock input):



I<sup>2</sup>C bus mode ( $\mu$ PD78F0034AY only):



**A/D Converter Characteristics (T<sub>A</sub> = -40 to +85°C, V<sub>DD</sub> = AV<sub>DD</sub> = AV<sub>REF</sub> = 1.8 to 5.5 V, AV<sub>SS</sub> = V<sub>SS</sub> = 0 V)**

Parameter	Symbol	Conditions	MIN.	TYP.	MAX.	Unit
Resolution			10	10	10	bit
Overall error <sup>Note</sup>		4.0 V ≤ AV <sub>REF</sub> ≤ 5.5 V		±0.2	±0.4	%FSR
		2.7 V ≤ AV <sub>REF</sub> < 4.0 V		±0.3	±0.6	%FSR
		1.8 V ≤ AV <sub>REF</sub> < 2.7 V		±0.6	±1.2	%FSR
Conversion time	t <sub>CONV</sub>	4.0 V ≤ AV <sub>REF</sub> ≤ 5.5 V	14		96	μs
		2.7 V ≤ AV <sub>REF</sub> < 4.0 V	19		96	μs
		1.8 V ≤ AV <sub>REF</sub> < 2.7 V	28		96	μs
Zero-scale error <sup>Notes 1, 2</sup>		4.0 V ≤ AV <sub>REF</sub> ≤ 5.5 V			±0.4	%FSR
		2.7 V ≤ AV <sub>REF</sub> < 4.0 V			±0.6	%FSR
		1.8 V ≤ AV <sub>REF</sub> < 2.7 V			±1.2	%FSR
Full-scale error <sup>Notes 1, 2</sup>		4.0 V ≤ AV <sub>REF</sub> ≤ 5.5 V			±0.4	%FSR
		2.7 V ≤ AV <sub>REF</sub> < 4.0 V			±0.6	%FSR
		1.8 V ≤ AV <sub>REF</sub> < 2.7 V			±1.2	%FSR
Integral linearity error <sup>Note 1</sup>		4.0 V ≤ AV <sub>REF</sub> ≤ 5.5 V			±2.5	LSB
		2.7 V ≤ AV <sub>REF</sub> < 4.0 V			±4.5	LSB
		1.8 V ≤ AV <sub>REF</sub> < 2.7 V			±8.5	LSB
Differential linearity error		4.0 V ≤ AV <sub>REF</sub> ≤ 5.5 V			±1.5	LSB
		2.7 V ≤ AV <sub>REF</sub> < 4.0 V			±2.0	LSB
		1.8 V ≤ AV <sub>REF</sub> < 2.7 V			±3.5	LSB
Analog input voltage	V <sub>IAN</sub>		0		AV <sub>REF</sub>	V
Reference voltage	AV <sub>REF</sub>		1.8		AV <sub>DD</sub>	V
Resistance between AV <sub>REF</sub> and AV <sub>SS</sub>	R <sub>REF</sub>	During A/D conversion operation	20	40		kΩ

- Notes**
1. Excluding quantization error (±1/2 LSB).
  2. Indicated as a ratio to the full-scale value (%FSR).

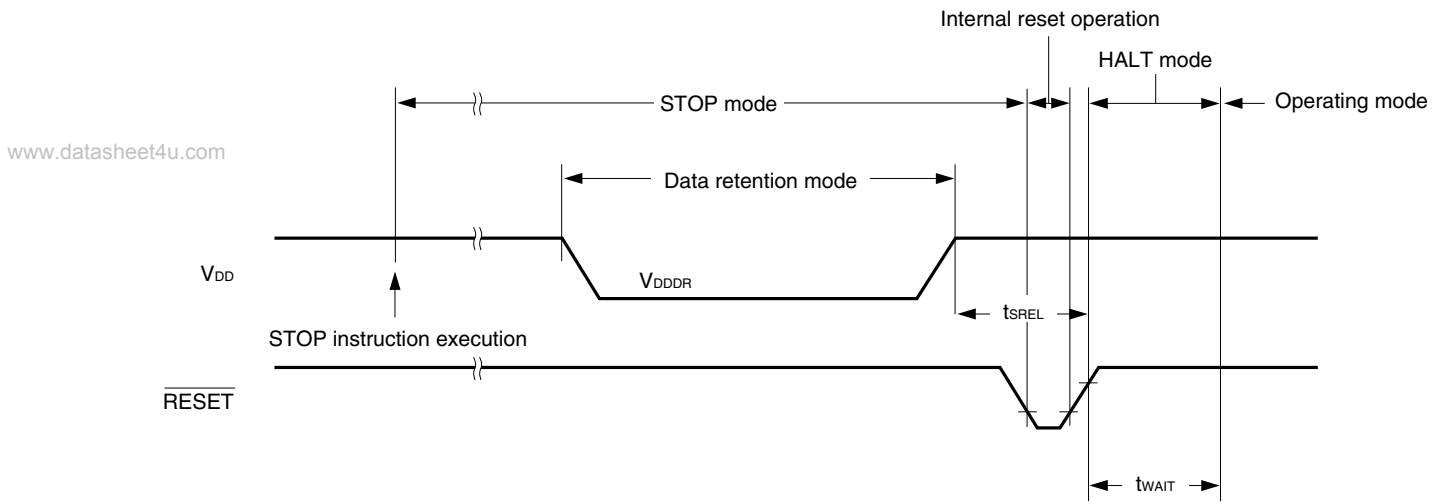
**Remark** When the μPD78F0034A or 78F0034AY is used as an 8-bit resolution A/D converter, the specifications are the same as for the μPD780024A or 78F0024AY Subseries A/D converter.

**Data Memory STOP Mode Low Supply Voltage Data Retention Characteristics (T<sub>A</sub> = -40 to +85°C)**

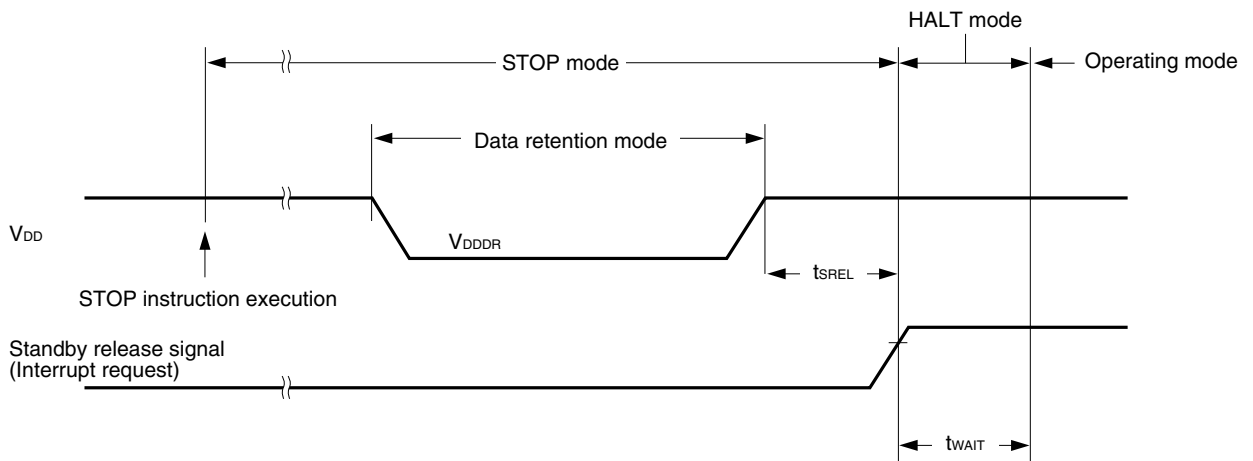
Parameter	Symbol	Conditions	MIN.	TYP.	MAX.	Unit
Data retention supply voltage	V <sub>DDDR</sub>		1.6		5.5	V
Data retention supply current	I <sub>DDDR</sub>	Subsystem clock stop (XT1 = V <sub>DD</sub> ) and feed-back resistor disconnected		0.1	30	μA
Release signal set time	t <sub>SREL</sub>		0			μs
Oscillation stabilization wait time	t <sub>WAIT</sub>	Release by $\overline{\text{RESET}}$		2 <sup>17</sup> /f <sub>x</sub>		s
		Release by interrupt request		<b>Note</b>		s

**Note** Selection of 2<sup>12</sup>/f<sub>x</sub> and 2<sup>14</sup>/f<sub>x</sub> to 2<sup>17</sup>/f<sub>x</sub> is possible using bits 0 to 2 (OSTS0 to OSTS2) of the oscillation stabilization time select register (OSTS).

Data Retention Timing (STOP Mode Release by  $\overline{\text{RESET}}$ )



Data Retention Timing (Standby Release Signal: STOP Mode Release by Interrupt Request Signal)



Flash Memory Programming Characteristics (V<sub>DD</sub> = 2.7 to 5.5 V, V<sub>SS</sub> = 0 V, V<sub>PP</sub> = 9.7 to 10.3 V)

(1) Basic characteristics

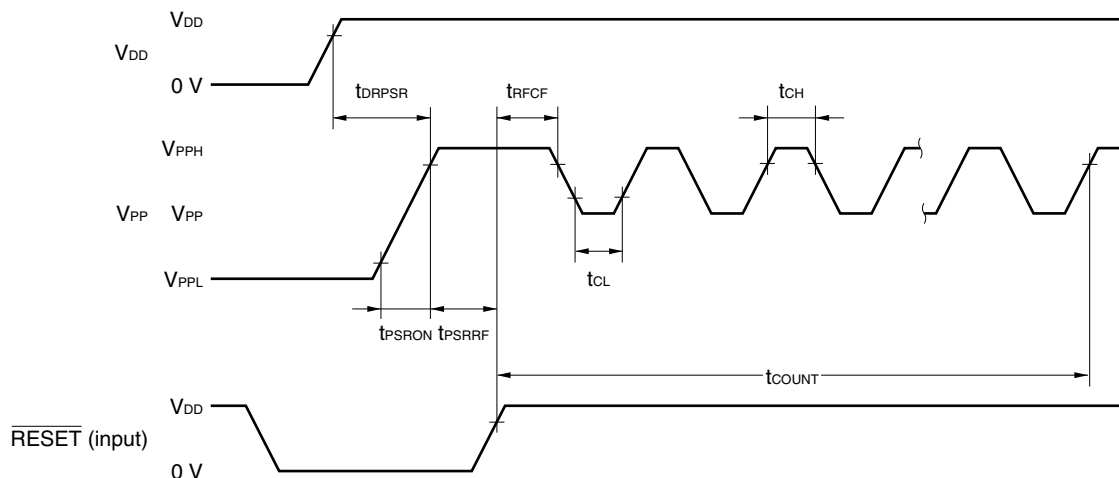
Parameter	Symbol	Conditions	MIN.	TYP.	MAX.	Unit
Operating frequency	f <sub>x</sub>	4.0 ≤ V <sub>DD</sub> ≤ 5.5 V	1.0		8.38	MHz
		2.7 ≤ V <sub>DD</sub> < 4.0 V	1.0		5.0	MHz
Supply voltage	V <sub>DD</sub>	Operation voltage when writing	2.7		5.5	V
	V <sub>PPL</sub>	Upon V <sub>PP</sub> low-level detection	0		0.2V <sub>DD</sub>	V
	V <sub>PP</sub>	Upon V <sub>PP</sub> high-level detection	0.8V <sub>DD</sub>	V <sub>DD</sub>	1.2V <sub>DD</sub>	V
	V <sub>PPH</sub>	Upon V <sub>PP</sub> high-voltage detection	9.7 <sup>Note 1</sup>	10.0 <sup>Note 1</sup>	10.3 <sup>Note 1</sup>	V
V <sub>DD</sub> supply current	I <sub>DD</sub>			10	mA	
V <sub>PP</sub> supply current	I <sub>PP</sub>	V <sub>PP</sub> = 10.0 V		75	100	mA
Write time (per byte)	T <sub>WRT</sub>		50		500	μs
Number of rewrites	C <sub>WRT</sub>				20 <sup>Note 2</sup>	Times
Erase time	T <sub>ERASE</sub>		1		20	s
Programming temperature	T <sub>PRG</sub>		+10		+40	°C

- Notes** 1. For the product grades “K, E, and P”, 10.2 V (MIN.), 10.3 V (TYP.), and 10.4 V (MAX.), are applied.  
 2. For the product specification “K and E”, the number is 1 (MAX.).

(2) Serial write operation characteristics

Parameter	Symbol	Conditions	MIN.	TYP.	MAX.	Unit
V <sub>PP</sub> set time	t <sub>PSRON</sub>	V <sub>PP</sub> high voltage	1.0			μs
Set time from V <sub>DD</sub> ↑ to V <sub>PP</sub> ↑	t <sub>DRPSR</sub>	V <sub>PP</sub> high voltage	1.0			μs
Set time from V <sub>PP</sub> ↑ to $\overline{\text{RESET}}\uparrow$	t <sub>PSRRF</sub>	V <sub>PP</sub> high voltage	1.0			μs
V <sub>PP</sub> count start time from $\overline{\text{RESET}}\uparrow$	t <sub>RFCF</sub>		1.0			μs
Count execution time	t <sub>COUNT</sub>				2.0	ms
V <sub>PP</sub> counter high-level width	t <sub>CH</sub>		8.0			μs
V <sub>PP</sub> counter low-level width	t <sub>CL</sub>		8.0			μs
V <sub>PP</sub> counter noise elimination width	t <sub>NFW</sub>			40		ns

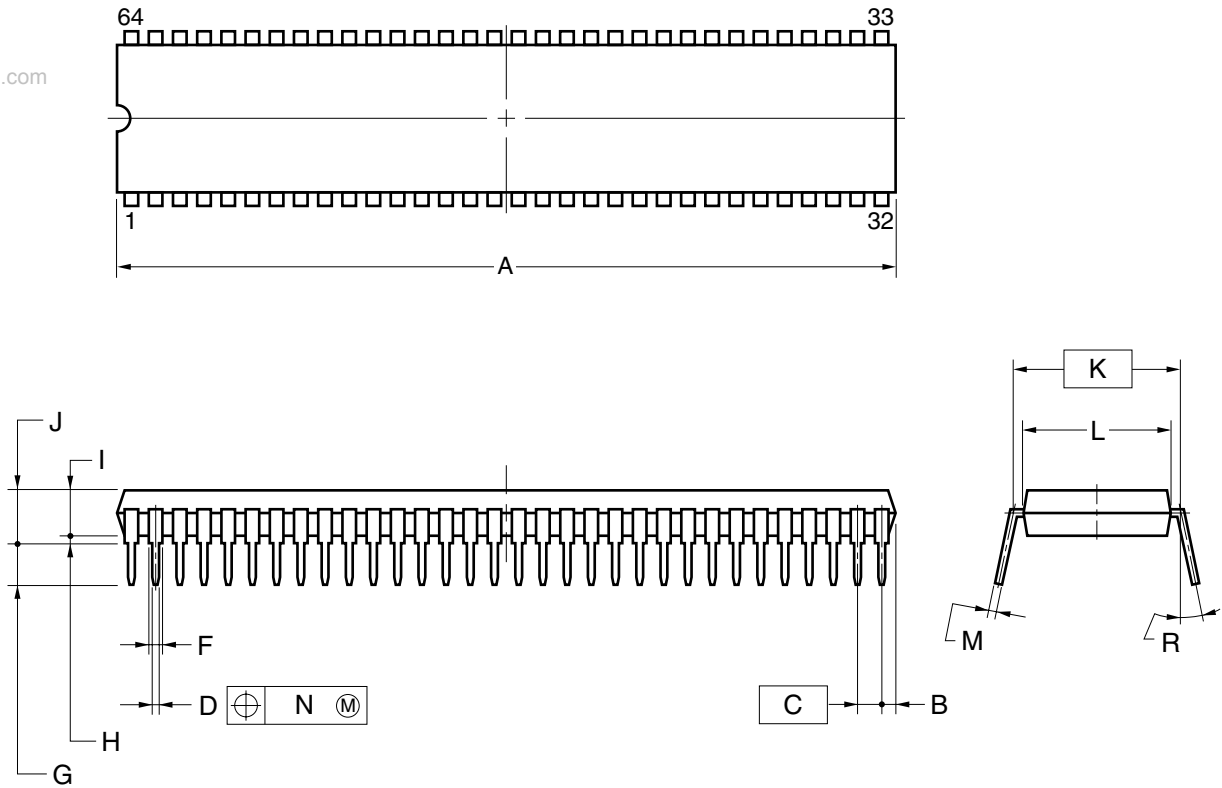
Flash Memory Write Mode Set Timing



8. PACKAGE DRAWINGS

64-PIN PLASTIC SDIP (19.05mm(750))

www.datasheet4u.com



NOTES

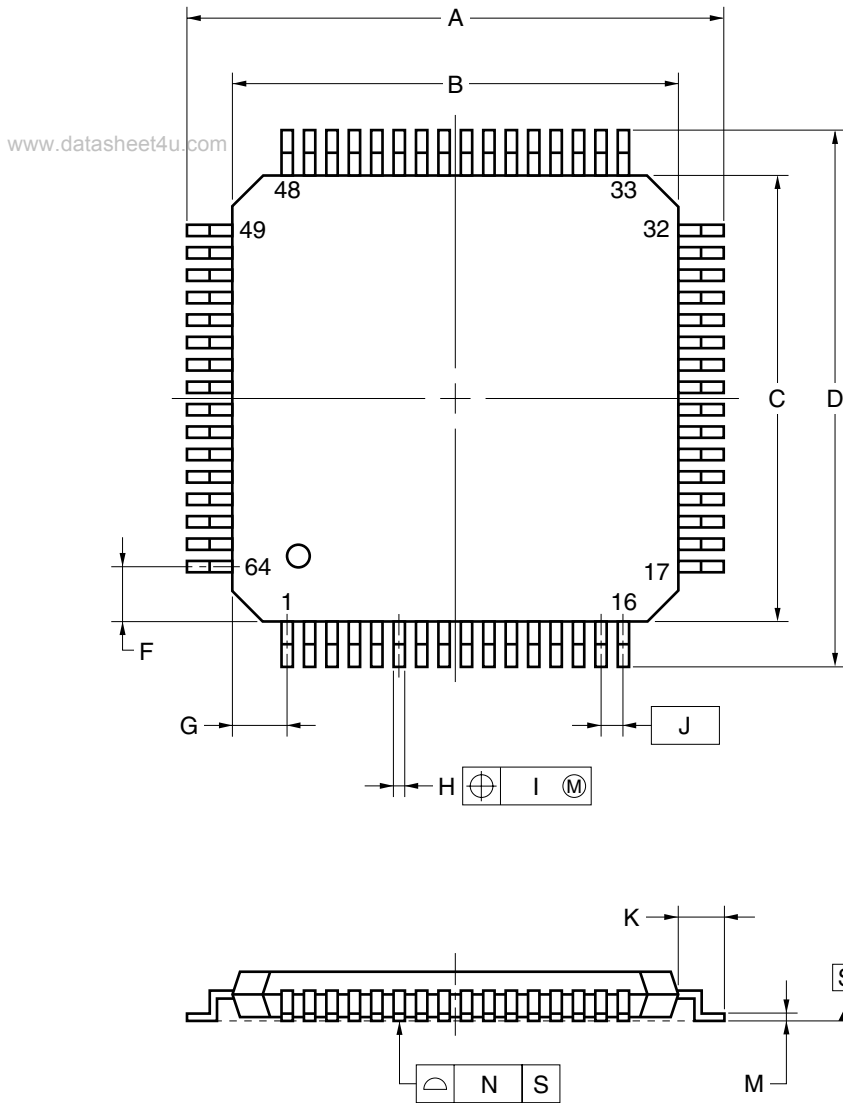
1. Each lead centerline is located within 0.17 mm of its true position (T.P.) at maximum material condition.
2. Item "K" to center of leads when formed parallel.

ITEM	MILLIMETERS
A	58.0 <sup>+0.68</sup> <sub>-0.20</sub>
B	1.78 MAX.
C	1.778 (T.P.)
D	0.50±0.10
F	0.9 MIN.
G	3.2±0.3
H	0.51 MIN.
I	4.05 <sup>+0.26</sup> <sub>-0.20</sub>
J	5.08 MAX.
K	19.05 (T.P.)
L	17.0±0.2
M	0.25 <sup>+0.10</sup> <sub>-0.05</sub>
N	0.17
R	0 ~ 15°

P64C-70-750A,C-4

**Remark** The package and material of ES products are the same as mass produced products.

★ 64-PIN PLASTIC LQFP (10x10)



**NOTE**

Each lead centerline is located within 0.08 mm of its true position (T.P.) at maximum material condition.

ITEM	MILLIMETERS
A	12.0±0.2
B	10.0±0.2
C	10.0±0.2
D	12.0±0.2
F	1.25
G	1.25
H	0.22±0.05
I	0.08
J	0.5 (T.P.)
K	1.0±0.2
L	0.5
M	0.17 <sup>+0.03</sup> <sub>-0.07</sub>
N	0.08
P	1.4
Q	0.1±0.05
R	3° <sup>+4°</sup> <sub>-3°</sub>
S	1.5±0.10
T	0.25
U	0.6±0.15

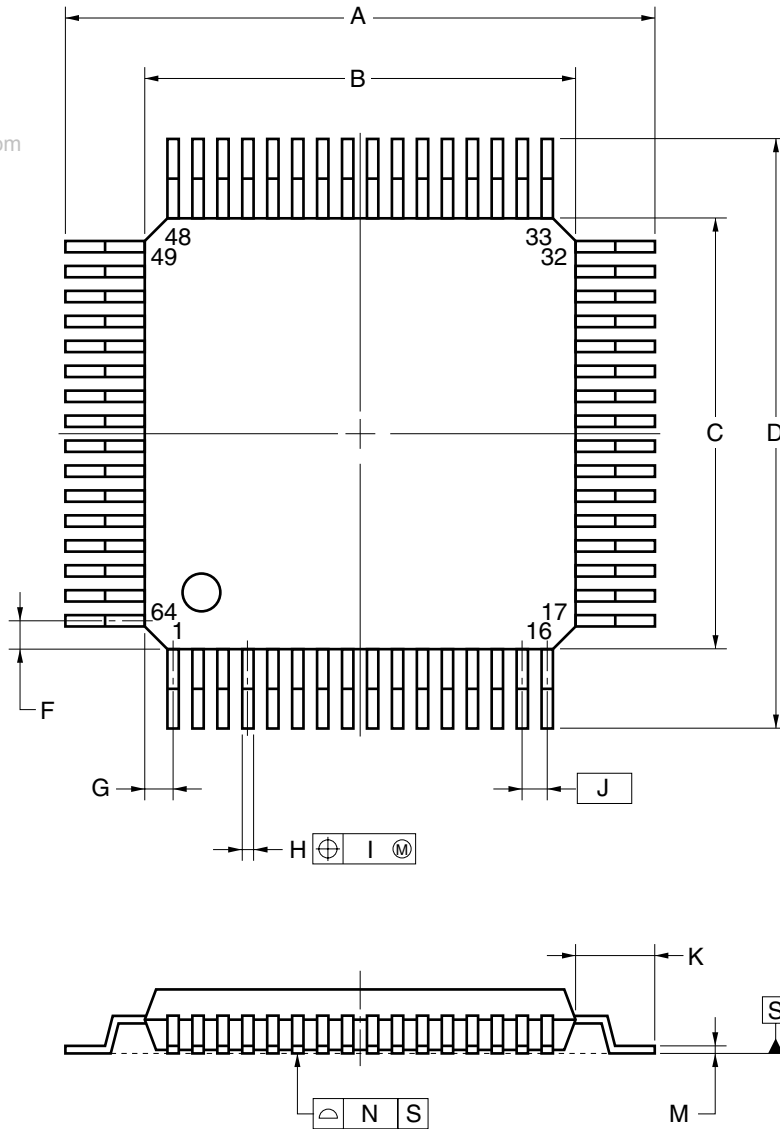
S64GB-50-8EU-2

**Remark** The package and material of ES products are the same as mass produced products.



★ 64-PIN PLASTIC LQFP (14x14)

www.datasheet4u.com



detail of lead end

ITEM	MILLIMETERS
A	17.2±0.2
B	14.0±0.2
C	14.0±0.2
D	17.2±0.2
F	1.0
G	1.0
H	0.37 <sup>+0.08</sup> <sub>-0.07</sub>
I	0.20
J	0.8 (T.P.)
K	1.6±0.2
L	0.8
M	0.17 <sup>+0.03</sup> <sub>-0.06</sub>
N	0.10
P	1.4±0.1
Q	0.127±0.075
R	3° <sup>+4°</sup> <sub>-3°</sub>
S	1.7 MAX.
T	0.25
U	0.886±0.15

P64GC-80-8BS

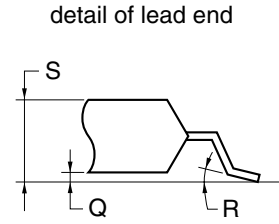
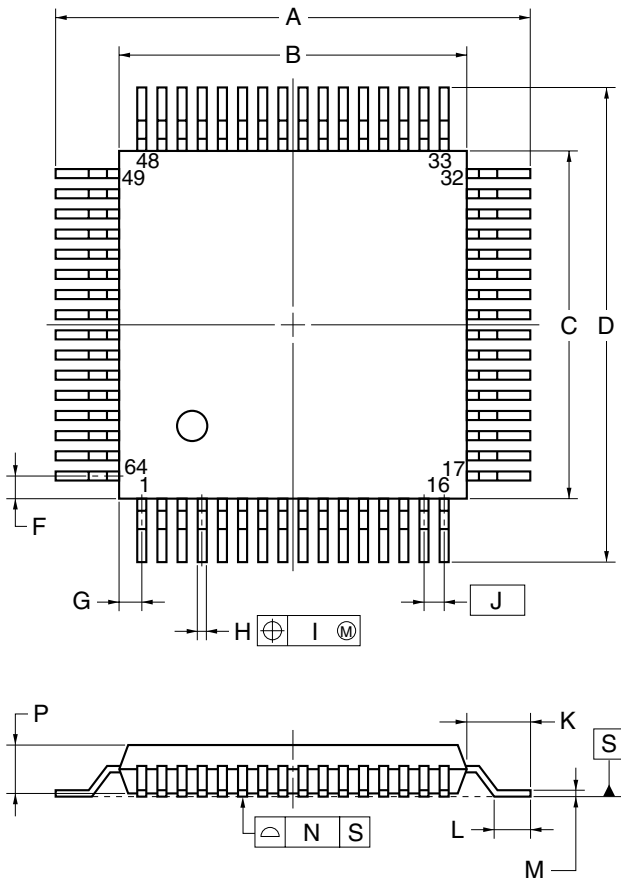
**NOTE**

Each lead centerline is located within 0.20 mm of its true position (T.P.) at maximum material condition.

**Remark** The package and material of ES products are the same as mass produced products.

64-PIN PLASTIC QFP (14x14)

www.datasheet4u.com



NOTE

Each lead centerline is located within 0.15 mm of its true position (T.P.) at maximum material condition.

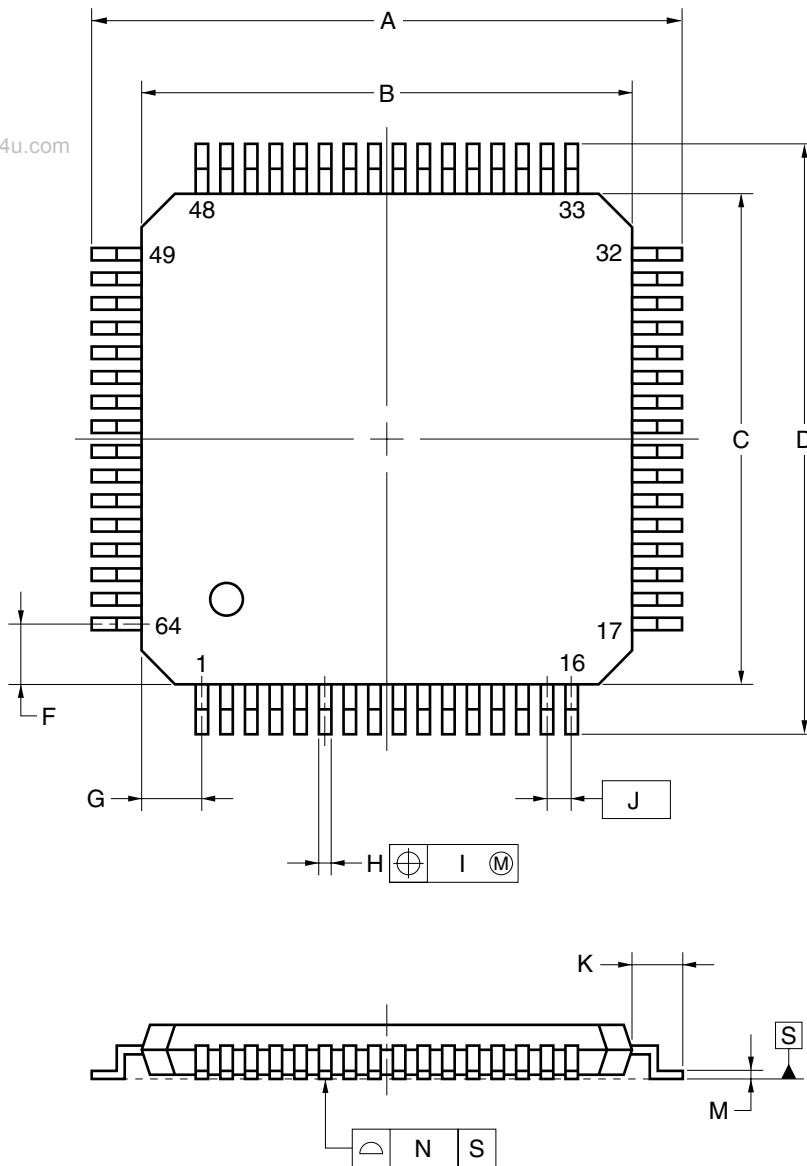
ITEM	MILLIMETERS
A	17.6±0.4
B	14.0±0.2
C	14.0±0.2
D	17.6±0.4
F	1.0
G	1.0
H	0.37 <sup>+0.08</sup> <sub>-0.07</sub>
I	0.15
J	0.8 (T.P.)
K	1.8±0.2
L	0.8±0.2
M	0.17 <sup>+0.08</sup> <sub>-0.07</sub>
N	0.10
P	2.55±0.1
Q	0.1±0.1
R	5°±5°
S	2.85 MAX.

P64GC-80-AB8-5

**Remark** The package and material of ES products are the same as mass produced products.

64-PIN PLASTIC TQFP (12x12)

www.datasheet4u.com



detail of lead end

ITEM	MILLIMETERS
A	14.0±0.2
B	12.0±0.2
C	12.0±0.2
D	14.0±0.2
F	1.125
G	1.125
H	0.32 <sup>+0.06</sup> <sub>-0.10</sub>
I	0.13
J	0.65 (T.P.)
K	1.0±0.2
L	0.5
M	0.17 <sup>+0.03</sup> <sub>-0.07</sub>
N	0.10
P	1.0
Q	0.1±0.05
R	3° <sup>+4°</sup> <sub>-3°</sub>
S	1.1±0.1
T	0.25
U	0.6±0.15

P64GK-65-9ET-3

NOTE

Each lead centerline is located within 0.13 mm of its true position (T.P.) at maximum material condition.

**Remark** The package and material of ES products are the same as mass produced products.

★ 9. RECOMMENDED SOLDERING CONDITIONS

The μPD78F0034A, 78F0034AY should be soldered and mounted under the following recommended conditions. For details of the recommended soldering conditions, refer to the document **Semiconductor Device Mounting Technology Manual (C10535E)**.

For soldering methods and conditions other than those recommended below, contact your NEC sales representative.

Table 9-1. Surface Mounting Type Soldering Conditions (1/2)

- (1) μPD78F0034AGC-8BS: 64-pin plastic LQFP (14 × 14)
- μPD78F0034AYGC-8BS: 64-pin plastic LQFP (14 × 14)
- μPD78F0034AGC-AB8: 64-pin plastic QFP (14 × 14)
- μPD78F0034AYGC-AB8: 64-pin plastic QFP (14 × 14)

Soldering Method	Soldering Conditions	Recommended Condition Symbol
Infrared reflow	Package peak temperature: 235°C, Time: 30 seconds max. (at 210°C or higher), Count: Two times or less	IR35-00-2
VPS	Package peak temperature: 215°C, Time: 40 seconds max. (at 200°C or higher), Count: Two times or less	VP15-00-2
Wave soldering	Solder bath temperature: 260°C max., Time: 10 seconds max., Count: Once, Preheating temperature: 120°C max. (package surface temperature)	WS60-00-1
Partial heating	Pin temperature: 300°C max., Time: 3 seconds max. (per pin row)	–

**Caution** Do not use different soldering methods together (except for partial heating).

- (2) μPD78F0034AGB-8EU: 64-pin plastic LQFP (10 × 10)
- μPD78F0034AYGB-8EU: 64-pin plastic LQFP (10 × 10)

Soldering Method	Soldering Conditions	Recommended Condition Symbol
Infrared reflow	Package peak temperature: 235°C, Time: 30 seconds max. (at 210°C or higher), Count: Two times or less, Exposure limit: 7 days <sup>Note</sup> (after 7 days, prebake at 125°C for 10 hours)	IR35-107-2
VPS	Package peak temperature: 215°C, Time: 40 seconds max. (at 200°C or higher), Count: Two times or less, Exposure limit: 7 days <sup>Note</sup> (after 7 days, prebake at 125°C for 10 hours)	VP15-107-2
Partial heating	Pin temperature: 300°C max., Time: 3 seconds max. (per pin row)	–

**Note** After opening the dry pack, store it at 25°C or less and 65% RH or less for the allowable storage period.

**Caution** Do not use different soldering methods together (except for partial heating).

Table 9-1. Surface Mounting Type Soldering Conditions (2/2)

(3) μPD78F0034AGK-9ET: 64-pin plastic TQFP (12 × 12)

μPD78F0034AYGK-9ET: 64-pin plastic TQFP (12 × 12)

Soldering Method	Soldering Conditions	Recommended Condition Symbol
Infrared reflow	Package peak temperature: 235°C, Time: 30 seconds max. (at 210°C or higher), Count: Two times or less, Exposure limit: 7 days <sup>Note</sup> (after 7 days, prebake at 125°C for 10 hours)	IR35-107-2
VPS	Package peak temperature: 215°C, Time: 40 seconds max. (at 200°C or higher), Count: Two times or less, Exposure limit: 7 days <sup>Note</sup> (after 7 days, prebake at 125°C for 10 hours)	VP15-107-2
Wave soldering	Solder bath temperature: 260°C max., Time: 10 seconds max., Count: Once, Preheating temperature: 120°C max. (package surface temperature), Exposure limit: 7 days <sup>Note</sup> (after 7 days, prebake at 125°C for 10 hours)	WS60-107-1
Partial heating	Pin temperature: 300°C max., Time: 3 seconds max. (per pin row)	—

**Note** After opening the dry pack, store it at 25°C or less and 65% RH or less for the allowable storage period.

**Caution** Do not use different soldering methods together (except for partial heating).

Table 9-2. Insertion Type Soldering Conditions

μPD78F0034ACW: 64-pin plastic SDIP (19.05 mm (750))

μPD78F0034AYCW: 64-pin plastic SDIP (19.05 mm (750))

Soldering Method	Soldering Conditions
Wave soldering (pin only)	Solder bath temperature: 260°C max., Time: 10 seconds max.
Partial heating	Pin temperature: 300°C max., Time: 3 seconds max. (per pin row)

**Caution** Apply wave soldering only to the pins and be careful not to bring solder into direct contact with the package.

**APPENDIX A. DEVELOPMENT TOOLS**

The following development tools are available for system development using the  $\mu$ PD78F0034A, 78F0034AY Subseries.

Also refer to **(5) Cautions on Using Development Tools**.

**(1) Language Processing Software**

RA78K0	Assembler package common to 78K/0 Series
CC78K0	C compiler package common to 78K/0 Series
DF780034	Device file for $\mu$ PD780034A, 78F0034AY Subseries
CC78K0-L	C compiler library source file common to 78K/0 Series

**(2) Flash Memory Writing Tools**

Flashpro III (part No. FL-PR3, PG-FP3)	Flash programmer dedicated to microcontrollers with on-chip flash memory
FA-64CW, FA-64GC, FA-64GC-8BS, FA-64GB-8EU, FA-64GK-9ET	Adapter for flash memory writing

**(3) Debugging Tools**

- **When IE-78K0-NS in-circuit emulator is used**

IE-78K0-NS	In-circuit emulator common to 78K/0 Series
IE-70000-MC-PS-B	Power supply unit for IE-78K0-NS
IE-78K0-NS-PA	Performance board that enhances and expands the IE-78K0-NS functions
IE-70000-98-IF-C	Adapter required when using PC-9800 series PC (except notebook type) as host machine (C bus supported)
IE-70000-CD-IF-A	PC card and interface cable when using PC-9800 series notebook PC as host machine (PCMCIA socket supported)
IE-70000-PC-IF-C	Adapter required when using IBM PC/AT™ or compatible as host machine (ISA bus supported)
IE-70000-PCI-IF-A	Adapter necessary when using PC in which PCI bus is incorporated as host machine
IE-780034-NS-EM1	Emulation board to emulate the $\mu$ PD780034A, 78F0034AY Subseries
NP-64CW	Emulation probe for 64-pin plastic SDIP (CW type)
NP-64GC, NP-64GC-TQ	Emulation probe for 64-pin plastic QFP (GC-AB8, GC-8BS type)
NP-64GK	Emulation probe for 64-pin plastic TQFP (GK-9ET type)
NP-H64GB-TQ	Emulation probe for 64-pin plastic LQFP (GB-8EU type)
EV-9200GC-64	Conversion socket to connect the NP-64GC and a target system board on which a 64-pin plastic QFP (GC-AB8, GC-8BS type) can be mounted
TGC-064SAP	Conversion adapter to connect the NP-64GC-TQ and a target system board on which a 64-pin plastic QFP (GC-AB8, GC-8BS type) can be mounted
TGK-064SBP	Conversion adapter to connect the NP-64GK and a target system board on which a 64-pin plastic TQFP (GK-9ET type) can be mounted
TGB-064SDP	Conversion adapter to connect the NP-H64GB-TQ and a target system board on which a 64-pin plastic LQFP (GB-8EU type) can be mounted
ID78K0-NS	Integrated debugger for IE-78K0-NS
SM78K0	System simulator common to 78K/0 Series
DF780034	Device file for $\mu$ PD780034A, 78F0034AY Subseries

• When using in-circuit emulator IE-78001-R-A

IE-78001-R-A	In-circuit emulator common to 78K/0 Series
IE-70000-98-IF-C	Adapter required when using PC-9800 series as host machine (excluding notebook PCs) (C bus supported)
IE-70000-PC-IF-C	Adapter required when using IBM PC/AT or compatible as host machine (ISA bus supported)
IE-70000-PCI-IF-A	Adapter required when using PC in which PCI bus is incorporated as host machine
IE-780034-NS-EM1	Emulation board to emulate μPD780034A, 78F0034AY Subseries
IE-78K0-R-EX1	Emulation probe conversion board to use IE-780034-NS-EM1 on IE-78001-R-A
EP-78240CW-R	Emulation probe for 64-pin plastic SDIP (CW type)
EP-78240GC-R	Emulation probe for 64-pin plastic QFP (GC-AB8, GC-8BS type)
EP-78012GK-R	Emulation probe for 64-pin plastic TQFP (GK-9ET type)
EV-9200GC-64	Conversion socket to connect the EP-78240GC-R and a target system board on which a 64-pin plastic QFP (GC-AB8, GC-8BS type) can be mounted
TGK-064SBP	Conversion adapter to connect the EP-78012GK-R and a target system board on which a 64-pin plastic TQFP (GK-9ET type) can be mounted
ID78K0	Integrated debugger for IE-78001-R-A
SM78K0	System simulator common to 78K/0 Series
DF780034	Device file for μPD780034A, 78F0034AY Subseries

(4) Real-Time OS

RX78K0	Real-time OS for 78K/0 Series
--------	-------------------------------

**(5) Cautions on Using Development Tools**

- The ID-78K0-NS, ID78K0, and SM78K0 are used in combination with the DF780034.
- The CC78K0 and RX78K0 are used in combination with the RA78K0 and the DF780034.
- The FL-PR3, FA-64CW, FA-64GC, FA-64GC-8BS, FA-64GB-8EU, FA-64GK-9ET, NP-64CW, NP-64GC, NP-64GC-TQ, NP-64GK, and NP-H64GB-TQ are products made by Naito Densai Machida Mfg. Co., Ltd. (+81-45-475-4191).

www.datasheet4u.com

- The TKG-064SBW, TGC-064SAP, TKG-064-SBP, and TGB-064SDP are products made by TOKYO ELETECH CORPORATION.

For further information contact Daimaru Kogyo, Ltd.

Tokyo Electronic Division (+81-3-3820-7112)

Osaka Electronic Division (+81-6-6244-6672)

- For third party development tools, see the **Single-Chip Microcontroller Selection Guide (U11069E)**.
- The host machines and OSs supporting each software are as follows.

Software	Host Machine [OS]	PC	EWS
		PC-9800 series [Japanese Windows™] IBM PC/AT or compatibles [Japanese/English Windows]	HP9000 series 700™ [HP-UX™] SPARCstation™ [SunOS™, Solaris™]
RA78K0		√ <b>Note</b>	√
CC78K0		√ <b>Note</b>	√
ID78K0-NS		√	—
ID78K0		√	—
SM78K0		√	—
RX78K0		√ <b>Note</b>	√

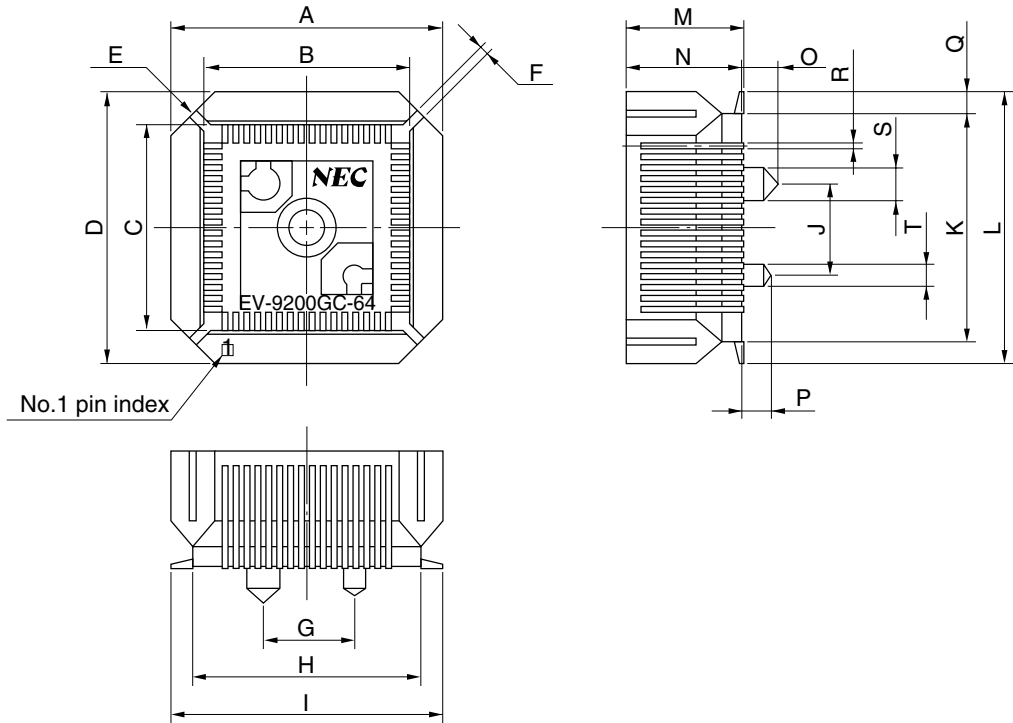
**Note** DOS-based software



Conversion Socket Drawing (EV-9200GC-64) and Footprints

Figure A-1. EV-9200GC-64 Drawing (For Reference Only)

www.datasheet4u.com

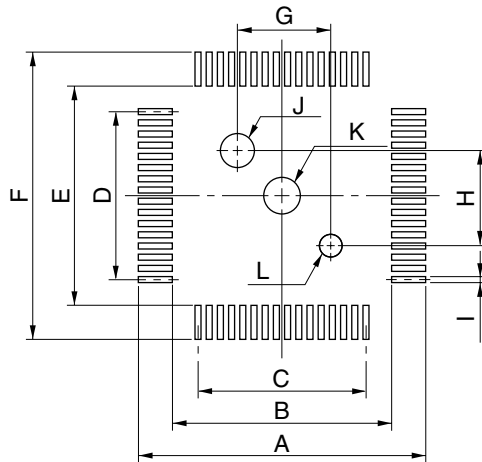


EV-9200GC-64-G0

ITEM	MILLIMETERS	INCHES
A	18.8	0.74
B	14.1	0.555
C	14.1	0.555
D	18.8	0.74
E	4-C 3.0	4-C 0.118
F	0.8	0.031
G	6.0	0.236
H	15.8	0.622
I	18.5	0.728
J	6.0	0.236
K	15.8	0.622
L	18.5	0.728
M	8.0	0.315
N	7.8	0.307
O	2.5	0.098
P	2.0	0.079
Q	1.35	0.053
R	0.35±0.1	0.014 <sup>+0.004</sup> <sub>-0.005</sub>
S	φ2.3	φ0.091
T	φ1.5	φ0.059

Figure A-2. EV-9200GC-64 Footprints (For Reference Only)

www.datasheet4u.com



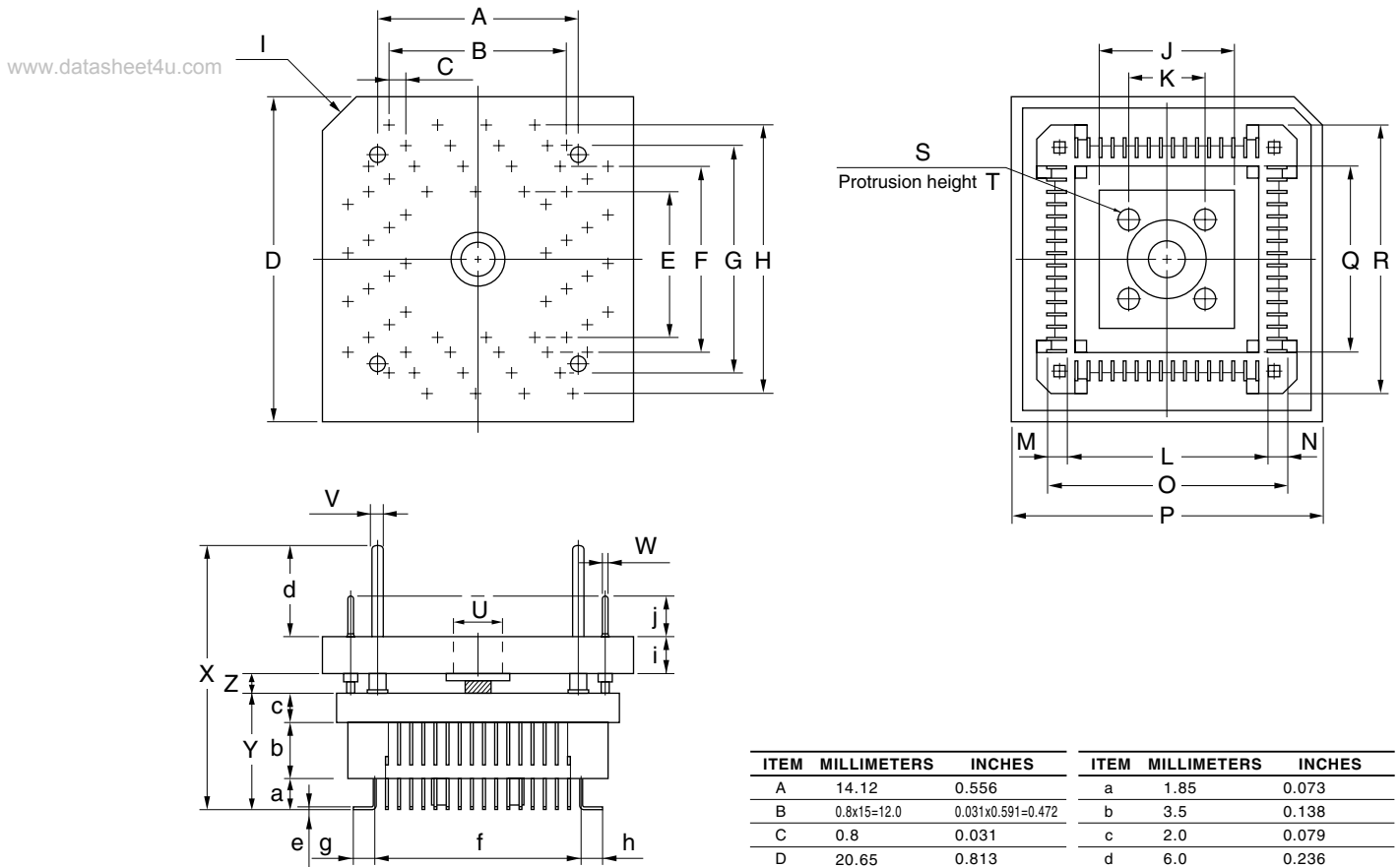
EV-9200GC-64-P1E

ITEM	MILLIMETERS	INCHES
A	19.5	0.768
B	14.8	0.583
C	$0.8 \pm 0.02 \times 15 = 12.0 \pm 0.05$	$0.031^{+0.002}_{-0.001} \times 0.591 = 0.472^{+0.003}_{-0.002}$
D	$0.8 \pm 0.02 \times 15 = 12.0 \pm 0.05$	$0.031^{+0.002}_{-0.001} \times 0.591 = 0.472^{+0.003}_{-0.002}$
E	14.8	0.583
F	19.5	0.768
G	$6.00 \pm 0.08$	$0.236^{+0.004}_{-0.003}$
H	$6.00 \pm 0.08$	$0.236^{+0.004}_{-0.003}$
I	$0.5 \pm 0.02$	$0.197^{+0.001}_{-0.002}$
J	$\phi 2.36 \pm 0.03$	$\phi 0.093^{+0.001}_{-0.002}$
K	$\phi 2.2 \pm 0.1$	$\phi 0.087^{+0.004}_{-0.005}$
L	$\phi 1.57 \pm 0.03$	$\phi 0.062^{+0.001}_{-0.002}$

**Caution** Dimensions of mount pad for EV-9200 and that for target device (QFP) may be different in some parts. For the recommended mount pad dimensions for QFP, refer to "SEMICONDUCTOR DEVICE MOUNTING TECHNOLOGY MANUAL" (C10535E).

Conversion Adapter Drawing (TGC-064SAP)

Figure A-3. TGC-064SAP Drawing (For Reference Only)

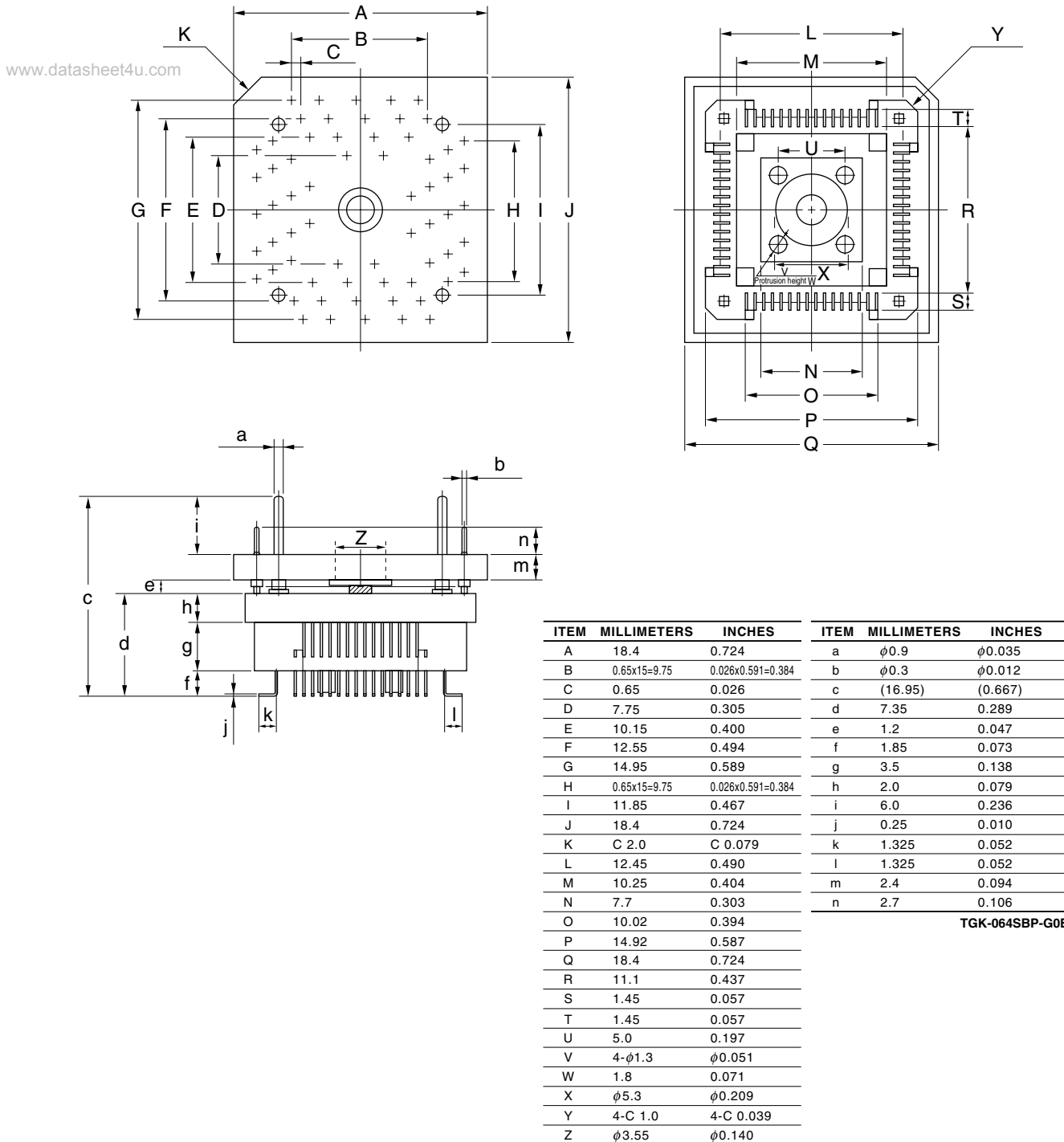


ITEM	MILLIMETERS	INCHES	ITEM	MILLIMETERS	INCHES
A	14.12	0.556	a	1.85	0.073
B	0.8x15=12.0	0.031x0.591=0.472	b	3.5	0.138
C	0.8	0.031	c	2.0	0.079
D	20.65	0.813	d	6.0	0.236
E	10.0	0.394	e	0.25	0.010
F	12.4	0.488	f	13.6	0.535
G	14.8	0.583	g	1.2	0.047
H	17.2	0.677	h	1.2	0.047
I	C 2.0	C 0.079	i	2.4	0.094
J	9.05	0.356	j	2.7	0.106
K	5.0	0.197	<b>TGC-064SAP-G0E</b>		
L	13.35	0.526			
M	1.325	0.052			
N	1.325	0.052			
O	16.0	0.630			
P	20.65	0.813			
Q	12.5	0.492			
R	17.5	0.689			
S	4-φ1.3	4-φ0.051			
T	1.8	0.071			
U	φ3.55	φ0.140			
V	φ0.9	φ0.035			
W	φ0.3	φ0.012			
X	(19.65)	(0.667)			
Y	7.35	0.289			
Z	1.2	0.047			

note: Product by TOKYO ELETECH CORPORATION.

Conversion Adapter Drawing (TGK-064SBP)

Figure A-4. TGK-064SBP Drawing (For Reference Only) (Unit: mm)



Note: Product by TOKYO ELETECH CORPORATION.

**APPENDIX B. RELATED DOCUMENTS**

The related documents indicated in this publication may include preliminary versions. However, preliminary versions are not marked as such.

**Documents Related to Devices**

www.datasheet4u.com

Document Name	Document No.
μPD780024A, 780034A, 780024AY, 780034AY Subseries User's Manual	U14046E
μPD780021A, 780022A, 780023A, 780024A, 780021AY, 780022AY, 780023AY, 780024AY Data Sheet	U14042E
μPD780021A(A), 780022A(A), 780023A(A), 780024A(A), 780021AY(A), 780022AY(A), 780023AY(A), 780024AY(A) Data Sheet	U15131E
μPD780031A, 780032A, 780033A, 780034A, 780031AY, 780032AY, 780033AY, 780034AY Data Sheet	U14044E
μPD780031A(A), 780032A(A), 780033A(A), 780034A(A), 780031AY(A), 780032AY(A), 780033AY(A), 780034AY(A) Data Sheet	U15132E
μPD78F0034A, 78F0034AY Data Sheet	This manual
78K/0 Series User's Manual Instruction	U12326E

★ **Documents Related to Development Software Tools (User's Manuals)**

Document Name	Document No.	
RA78K0 Assembler Package	Operation	U14445E
	Language	U14446E
	Structured Assembly Language	U11789E
CC78K0 C Compiler	Operation	U14297E
	Language	U14298E
SM78K0S, SM78K0 System Simulator Ver. 2.10 or Later	Operation (Windows Based)	U14611E
SM78K Series System Simulator Ver. 2.10 or Later	External Part User Open Interface Specifications	U15006E
ID78K0-NS Integrated Debugger Ver. 2.00 or Later	Operation (Windows Based)	U14379E
ID78K0 Integrated Debugger Windows Based	Reference	U11539E
	Guide	U11649E
RX78K0 Real-Time OS	Fundamentals	U11537E
	Installation	U11536E
Project Manager Ver. 3.12 or Later (Windows Based)		U14610E

**Documents Related to Development Hardware Tools (User's Manuals)**

Document Name	Document No.
IE-78K0-NS In-Circuit Emulator	U13731E
IE-78K0-NS-A In-Circuit Emulator	U14889E
IE-78001-R-A In-Circuit Emulator	U14142E
IE-78K0-R-EX1 In-Circuit Emulator	To be prepared

**Caution** The related documents listed above are subject to change without notice. Be sure to use the latest version of each document for designing.

**Documents Related to Flash Memory Writing**

Document Name	Document No.
PG-FP3 Flash Memory Programmer User's Manual	U13502E

**Other Related Documents**

www.datasheet4u.com

Document Name	Document No.
SEMICONDUCTORS SELECTION GUIDE - Products & Packages -	X13769E
Semiconductor Device Mounting Technology Manual	C10535E
Quality Grades on NEC Semiconductor Devices	C11531E
NEC Semiconductor Device Reliability/Quality Control System	C10983E
Guide to Prevent Damage for Semiconductor Devices by Electrostatic Discharge (ESD)	C11892E

**Caution** The related documents listed above are subject to change without notice. Be sure to use the latest version of each document for designing.

[MEMO]

[www.datasheet4u.com](http://www.datasheet4u.com)

## NOTES FOR CMOS DEVICES

## ① PRECAUTION AGAINST ESD FOR SEMICONDUCTORS

Note:

Strong electric field, when exposed to a MOS device, can cause destruction of the gate oxide and ultimately degrade the device operation. Steps must be taken to stop generation of static electricity as much as possible, and quickly dissipate it once, when it has occurred. Environmental control must be adequate. When it is dry, humidifier should be used. It is recommended to avoid using insulators that easily build static electricity. Semiconductor devices must be stored and transported in an anti-static container, static shielding bag or conductive material. All test and measurement tools including work bench and floor should be grounded. The operator should be grounded using wrist strap. Semiconductor devices must not be touched with bare hands. Similar precautions need to be taken for PW boards with semiconductor devices on it.

## ② HANDLING OF UNUSED INPUT PINS FOR CMOS

Note:

No connection for CMOS device inputs can be cause of malfunction. If no connection is provided to the input pins, it is possible that an internal input level may be generated due to noise, etc., hence causing malfunction. CMOS devices behave differently than Bipolar or NMOS devices. Input levels of CMOS devices must be fixed high or low by using a pull-up or pull-down circuitry. Each unused pin should be connected to  $V_{DD}$  or GND with a resistor, if it is considered to have a possibility of being an output pin. All handling related to the unused pins must be judged device by device and related specifications governing the devices.

## ③ STATUS BEFORE INITIALIZATION OF MOS DEVICES

Note:

Power-on does not necessarily define initial status of MOS device. Production process of MOS does not define the initial operation status of the device. Immediately after the power source is turned ON, the devices with reset function have not yet been initialized. Hence, power-on does not guarantee out-pin levels, I/O settings or contents of registers. Device is not initialized until the reset signal is received. Reset operation must be executed immediately after power-on for devices having reset function.

**Note:** Purchase of NEC I<sup>2</sup>C components conveys a license under the Philips I<sup>2</sup>C Patent Rights to use these components in an I<sup>2</sup>C system, provided that the system conforms to the I<sup>2</sup>C Standard Specification as defined by Philips.

FIP and IEBus are trademarks of NEC Corporation.

Windows is either a registered trademark or trademark of Microsoft Corporation in the United States and/or other countries.

PC/AT is a trademark of International Business Machines Corporation.

HP9000 series 700 and HP-UX are trademarks of Hewlett-Packard Company.

SPARCstation is a trademark of SPARC International, Inc.

Solaris and SunOS are trademarks of Sun Microsystems, Inc.



## Regional Information

Some information contained in this document may vary from country to country. Before using any NEC product in your application, please contact the NEC office in your country to obtain a list of authorized representatives and distributors. They will verify:

[www.datasheet4u.com](http://www.datasheet4u.com)

- Device availability
- Ordering information
- Product release schedule
- Availability of related technical literature
- Development environment specifications (for example, specifications for third-party tools and components, host computers, power plugs, AC supply voltages, and so forth)
- Network requirements

In addition, trademarks, registered trademarks, export restrictions, and other legal issues may also vary from country to country.

**NEC Electronics Inc. (U.S.)**

Santa Clara, California  
 Tel: 408-588-6000  
 800-366-9782  
 Fax: 408-588-6130  
 800-729-9288

**NEC do Brasil S.A.**

Electron Devices Division  
 Guarulhos-SP, Brasil  
 Tel: 11-6462-6810  
 Fax: 11-6462-6829

**NEC Electronics (Europe) GmbH**

Duesseldorf, Germany  
 Tel: 0211-65 03 01  
 Fax: 0211-65 03 327

- Branch The Netherlands  
 Eindhoven, The Netherlands  
 Tel: 040-244 58 45  
 Fax: 040-244 45 80

- Branch Sweden  
 Taeby, Sweden  
 Tel: 08-63 80 820  
 Fax: 08-63 80 388

- Filiale Italiana  
 Milano, Italy  
 Tel: 02-667541  
 Fax: 02-66754299

**NEC Electronics (France) S.A.**

Vélizy-Villacoublay, France  
 Tel: 01-3067-58-00  
 Fax: 01-3067-58-99

**NEC Electronics (France) S.A.  
 Representación en España**

Madrid, Spain  
 Tel: 091-504-27-87  
 Fax: 091-504-28-60

**NEC Electronics (UK) Ltd.**

Milton Keynes, UK  
 Tel: 01908-691-133  
 Fax: 01908-670-290

**NEC Electronics Hong Kong Ltd.**

Hong Kong  
 Tel: 2886-9318  
 Fax: 2886-9022/9044

**NEC Electronics Hong Kong Ltd.**

Seoul Branch  
 Seoul, Korea  
 Tel: 02-528-0303  
 Fax: 02-528-4411

**NEC Electronics Shanghai, Ltd.**

Shanghai, P.R. China  
 Tel: 021-6841-1138  
 Fax: 021-6841-1137

**NEC Electronics Taiwan Ltd.**

Taipei, Taiwan  
 Tel: 02-2719-2377  
 Fax: 02-2719-5951

**NEC Electronics Singapore Pte. Ltd.**

Novena Square, Singapore  
 Tel: 253-8311  
 Fax: 250-3583

• **The information in this document is current as of February, 2002. The information is subject to change without notice. For actual design-in, refer to the latest publications of NEC's data sheets or data books, etc., for the most up-to-date specifications of NEC semiconductor products. Not all products and/or types are available in every country. Please check with an NEC sales representative for availability and additional information.**

• No part of this document may be copied or reproduced in any form or by any means without prior written consent of NEC. NEC assumes no responsibility for any errors that may appear in this document.

• NEC does not assume any liability for infringement of patents, copyrights or other intellectual property rights of third parties by or arising from the use of NEC semiconductor products listed in this document or any other liability arising from the use of such products. No license, express, implied or otherwise, is granted under any patents, copyrights or other intellectual property rights of NEC or others.

• Descriptions of circuits, software and other related information in this document are provided for illustrative purposes in semiconductor product operation and application examples. The incorporation of these circuits, software and information in the design of customer's equipment shall be done under the full responsibility of customer. NEC assumes no responsibility for any losses incurred by customers or third parties arising from the use of these circuits, software and information.

• While NEC endeavours to enhance the quality, reliability and safety of NEC semiconductor products, customers agree and acknowledge that the possibility of defects thereof cannot be eliminated entirely. To minimize risks of damage to property or injury (including death) to persons arising from defects in NEC semiconductor products, customers must incorporate sufficient safety measures in their design, such as redundancy, fire-containment, and anti-failure features.

• NEC semiconductor products are classified into the following three quality grades:

"Standard", "Special" and "Specific". The "Specific" quality grade applies only to semiconductor products developed based on a customer-designated "quality assurance program" for a specific application. The recommended applications of a semiconductor product depend on its quality grade, as indicated below. Customers must check the quality grade of each semiconductor product before using it in a particular application.

"Standard": Computers, office equipment, communications equipment, test and measurement equipment, audio and visual equipment, home electronic appliances, machine tools, personal electronic equipment and industrial robots

"Special": Transportation equipment (automobiles, trains, ships, etc.), traffic control systems, anti-disaster systems, anti-crime systems, safety equipment and medical equipment (not specifically designed for life support)

"Specific": Aircraft, aerospace equipment, submersible repeaters, nuclear reactor control systems, life support systems and medical equipment for life support, etc.

The quality grade of NEC semiconductor products is "Standard" unless otherwise expressly specified in NEC's data sheets or data books, etc. If customers wish to use NEC semiconductor products in applications not intended by NEC, they must contact an NEC sales representative in advance to determine NEC's willingness to support a given application.

(Note)

(1) "NEC" as used in this statement means NEC Corporation and also includes its majority-owned subsidiaries.

(2) "NEC semiconductor products" means any semiconductor product developed or manufactured by or for NEC (as defined above).