



GaAs MMIC DBS 4X2 IF SWITCH UPG183GR

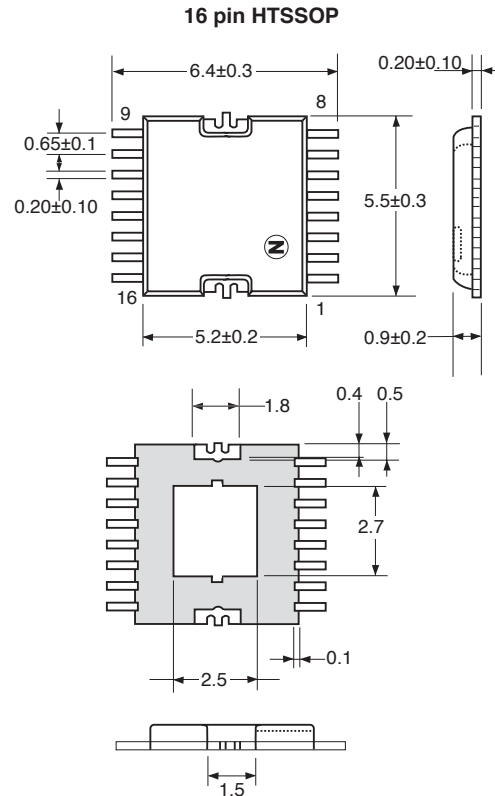
FEATURES

- FOUR INDEPENDENT IF CHANNELS
- INTEGRAL SWITCHING TO CHANNEL INPUT TO EITHER CHANNEL OUTPUT
- INSERTION LOSS PER CHANNEL:
7 dB TYP ($Z_0 = 50 \Omega$)
- FREQUENCY RANGE:
950 MHz to 2150 MHz
- CHANNEL TO CHANNEL ISOLATION:
26.5 dB TYP
- SMALL 16 PIN HTSSOP PACKAGE

DESCRIPTION

NEC's UPG183GR is intended for use in Direct Broadcast Satellite (DBS) applications within the Low Noise Block (LNB) down converter, for systems where at least two LNB outputs are required. It offers four intermediate frequency amplifier channels that can independently select 1 of 4 IF inputs. It is housed in a very small 16 pin plastic HTSSOP package, available on tape-and-reel, easy to install and contributes to miniaturizing the systems.

OUTLINE DIMENSIONS (Units in mm)



ELECTRICAL CHARACTERISTICS

($T_A = +25^\circ\text{C}$, unless otherwise specified, $V_{\text{CONT}1}$ to $V_{\text{CONT}8} = 0/+5 \text{ V}$, $P_{\text{IN}} = 0 \text{ dBm}$, $Z_0 = 50 \Omega$, Each Port)

PART NUMBER PACKAGE OUTLINE			UPG183GR 16 pin HTSSOP		
SYMBOLS	PARAMETERS AND CONDITIONS	UNITS	MIN	TYP	MAX
LINS 1	Insertion Loss 1, $f = 0.95 \text{ GHz}$ to 1.5 GHz	dB	—	7.0	9.0
LINS 2	Insertion Loss 2, $f = 1.5 \text{ GHz}$ to 2.15 GHz	dB	—	8.0	10.0
ΔLINS	Insertion Loss Flatness, LINS (0.95 GHz) — LINS (2.15 GHz)	dB	—	1.5	3.0
ISOL 1	Channel Isolation 1, $f = 0.95 \text{ GHz}$ to 1.5 GHz	dB	24	26.5	—
ISOL 2	Channel Isolation 2, $f = 1.5 \text{ GHz}$ to 2.15 GHz	dB	22	23.5	—
RL(OUT)	Output Return Loss, $f = 0.95 \text{ GHz}$ to 2.15 GHz	dB	10	14	—
I _{CONT}	Control Current ¹ , $V_{\text{CONT}} = +5 \text{ V}/0 \text{ V}$, RFOFF	mA	—	—	0.5

Notes:

1. Per one control pin.

ABSOLUTE MAXIMUM RATINGS¹ (T_A = +25°C)

SYMBOLS	PARAMETERS	UNITS	RATINGS
V _{CONT1-8}	Control Voltage 1-8	V	-1.0 to +6.0
P _{TOT}	Total Power Dissipation ²	W	2
P _{IN}	Input Power	dBm	+ 10
T _A	Operating Ambient Temp.	°C	-40 to +85
T _{STG}	Storage Temperature	°C	-65 to +150

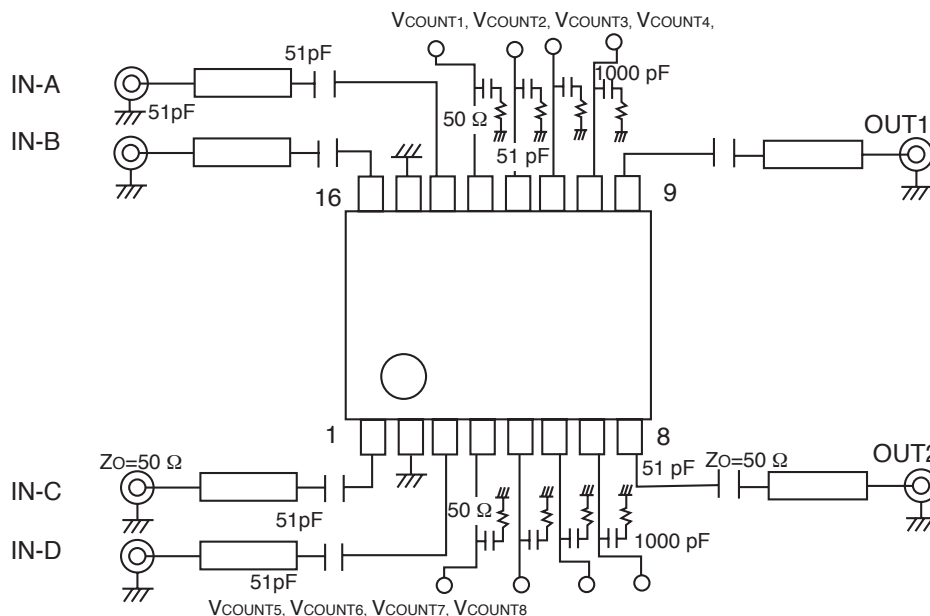
RECOMMENDED OPERATING CONDITIONS (T_A = +25°C)

SYMBOLS	PARAMETERS	UNITS	MIN	TYP	MAX
V _{CONT(H)}	Control Voltage (High)	V	+4.5	+5	+5.5
V _{CONT(L)}	Control Voltage (Low)	V	-0.5	0	+0.5

Notes:

1. Operation in excess of any one of these parameters may result in permanent damage.
2. Mounted on a 50x50x1.6 mm double copper clad epoxy glass PWB, T_A = +85°C.

EVALUATION CIRCUIT (V_{CONT1} to V_{CONT8} = 0/+5 V, P_{IN} = 0 dBm, Z_o = 50 Ω, DC Blocking Capacitor = 51 pF)

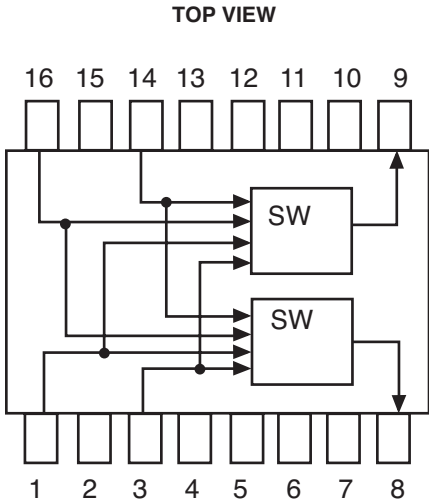


CHANNEL SELECT TRUTH TABLE

ON CHANNEL		CONTROL PIN							
OUT1	OUT2	V _{CONT1}	V _{CONT2}	V _{CONT3}	V _{CONT4}	V _{CONT5}	V _{CONT6}	V _{CONT7}	V _{CONT8}
IN-A	-	High	Low	High	Low	-	-	-	-
IN-B	-	High	Low	Low	High	-	-	-	-
IN-C	-	Low	High	High	Low	-	-	-	-
IN-D	-	Low	High	Low	High	-	-	-	-
-	IN-A	-	-	-	-	High	Low	High	Low
-	IN-B	-	-	-	-	High	Low	Low	High
-	IN-C	-	-	-	-	Low	High	High	Low
-	IN-D	-	-	-	-	Low	High	Low	High

PIN CONNECTION AND INTERNAL BLOCK DIAGRAM

PIN NO.	CONNECTION	PIN NO.	CONNECTION
1	IN-C	9	OUT1
2	GND	10	VCONT4
3	IN-D	11	VCONT3
4	VCONT5	12	VCONT2
5	VCONT6	13	VCONT1
6	VCONT7	14	IN-A
7	VCONT8	15	GND
8	OUT2	16	IN-B



ORDERING INFORMATION

PART NUMBER	PACKAGE	QUANTITY
UPG183GR-E1-A	16-pin Plastic HTSSOP	Qty. 3k pcs/Reel

Notes:
 1. Carrier tape, 12 mm wide.

Life Support Applications
 These NEC products are not intended for use in life support devices, appliances, or systems where the malfunction of these products can reasonably be expected to result in personal injury. The customers of CEL using or selling these products for use in such applications do so at their own risk and agree to fully indemnify CEL for all damages resulting from such improper use or sale.

Subject: Compliance with EU Directives

CEL certifies, to its knowledge, that semiconductor and laser products detailed below are compliant with the requirements of European Union (EU) Directive 2002/95/EC Restriction on Use of Hazardous Substances in electrical and electronic equipment (RoHS) and the requirements of EU Directive 2003/11/EC Restriction on Penta and Octa BDE.

CEL Pb-free products have the same base part number with a suffix added. The suffix –A indicates that the device is Pb-free. The –AZ suffix is used to designate devices containing Pb which are exempted from the requirement of RoHS directive (*). In all cases the devices have Pb-free terminals. All devices with these suffixes meet the requirements of the RoHS directive.

This status is based on CEL’s understanding of the EU Directives and knowledge of the materials that go into its products as of the date of disclosure of this information.

Restricted Substance per RoHS	Concentration Limit per RoHS (values are not yet fixed)	Concentration contained in CEL devices	
		-A	-AZ
Lead (Pb)	< 1000 PPM	Not Detected	(*)
Mercury	< 1000 PPM	Not Detected	
Cadmium	< 100 PPM	Not Detected	
Hexavalent Chromium	< 1000 PPM	Not Detected	
PBB	< 1000 PPM	Not Detected	
PBDE	< 1000 PPM	Not Detected	

If you should have any additional questions regarding our devices and compliance to environmental standards, please do not hesitate to contact your local representative.

Important Information and Disclaimer: Information provided by CEL on its website or in other communications concerning the substance content of its products represents knowledge and belief as of the date that it is provided. CEL bases its knowledge and belief on information provided by third parties and makes no representation or warranty as to the accuracy of such information. Efforts are underway to better integrate information from third parties. CEL has taken and continues to take reasonable steps to provide representative and accurate information but may not have conducted destructive testing or chemical analysis on incoming materials and chemicals. CEL and CEL suppliers consider certain information to be proprietary, and thus CAS numbers and other limited information may not be available for release.

In no event shall CEL’s liability arising out of such information exceed the total purchase price of the CEL part(s) at issue sold by CEL to customer on an annual basis.

See CEL Terms and Conditions for additional clarification of warranties and liability.