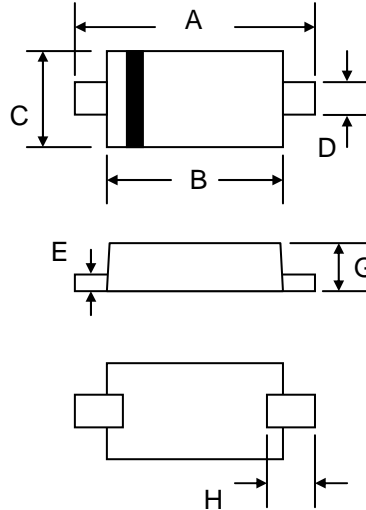


Features

- **Low Profile 1.08mm Max. Case Height**
- Glass Passivated Die Construction
- Low Forward Voltage Drop, High Efficiency
- Surge Overload Rating to 30A Peak
- Ultra-Fast Recovery Time
- Ideally Suited for Automatic Assembly
- Plastic Material – UL Recognition Flammability Classification 94V-0



SOD-123FL		
Dim	Min	Max
A	3.30	3.70
B	2.60	2.95
C	1.65	1.95
D	0.75	1.35
E	0.10	0.20
G	0.98	1.08
H	0.50	0.80
All Dimensions in mm		

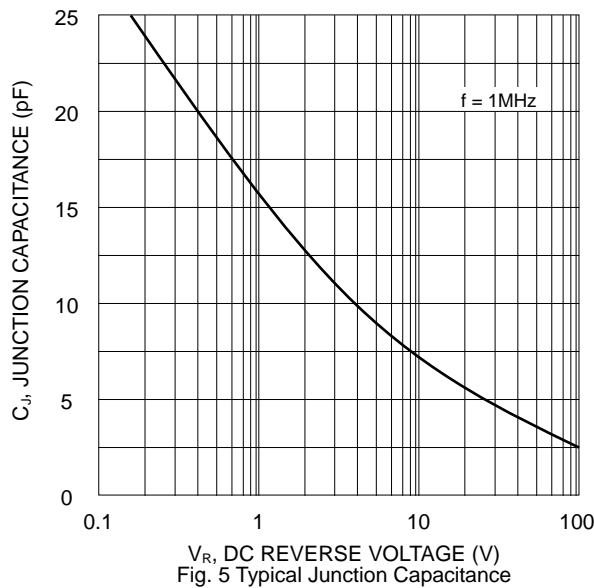
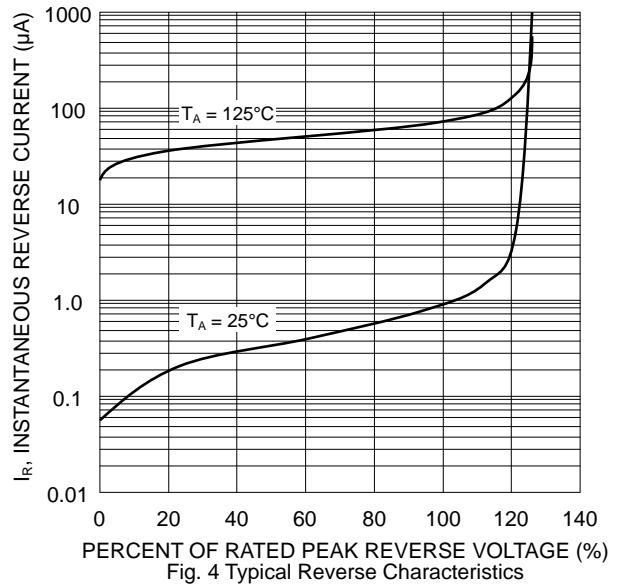
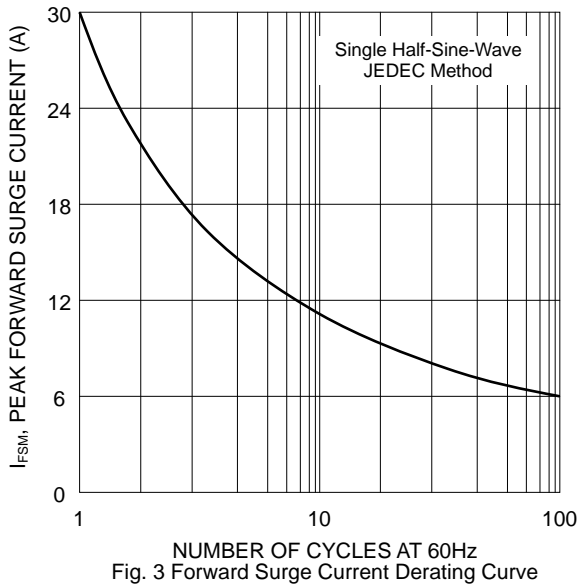
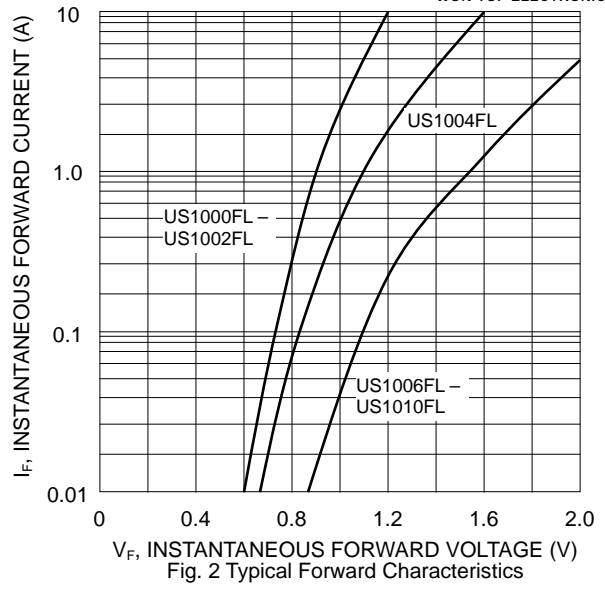
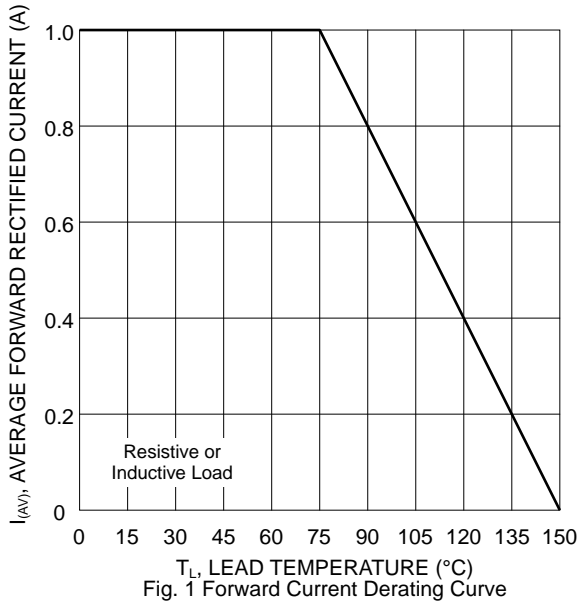
Mechanical Data

- Case: SOD-123FL, Molded Plastic
- Terminals: Plated Leads Solderable per MIL-STD-202, Method 208
- Polarity: Cathode Band
- Weight: 0.017 grams (approx.)
- Marking: Device Code, See Page 3
- **Lead Free: For RoHS / Lead Free Version, Add "-LF" Suffix to Part Number, See Page 4**

Maximum Ratings and Electrical Characteristics @ $T_A=25^\circ\text{C}$ unless otherwise specified

Characteristic	Symbol	US 1000FL	US 1001FL	US 1002FL	US 1004FL	US 1006FL	US 1008FL	US 1010FL	Unit	
Peak Repetitive Reverse Voltage	V_{RRM}								V	
Working Peak Reverse Voltage	V_{RWM}	50	100	200	400	600	800	1000		
DC Blocking Voltage	V_R									
RMS Reverse Voltage	$V_{R(RMS)}$	35	70	140	280	420	560	700	V	
Average Rectified Output Current @ $T_L = 75^\circ\text{C}$	I_O	1.0							A	
Non-Repetitive Peak Forward Surge Current 8.3ms Single Half Sine-Wave Superimposed on Rated Load (JEDEC Method)	I_{FSM}	30							A	
Forward Voltage @ $I_F = 1.0\text{A}$	V_{FM}	1.0		1.3		1.7			V	
Peak Reverse Current @ $T_A = 25^\circ\text{C}$ At Rated DC Blocking Voltage @ $T_A = 125^\circ\text{C}$	I_{RM}					5.0		200		μA
Reverse Recovery Time (Note 1)	t_{rr}	50				75				nS
Typical Junction Capacitance (Note 2)	C_J	10							pF	
Thermal Resistance Junction to Ambient (Note 3)	R_{JA}					325				$^\circ\text{C/W}$
Thermal Resistance Junction to Ambient (Note 4)	R_{JA}					82				
Thermal Resistance Junction to Lead (Note 3)	R_{JL}					26				
Thermal Resistance Junction to Lead (Note 4)	R_{JL}					21				
Operating and Storage Temperature Range	T_J, T_{STG}	-55 to +150							$^\circ\text{C}$	

- Note: 1. Measured with $I_F = 0.5\text{A}$, $I_R = 1.0\text{A}$, $I_{RR} = 0.25\text{A}$.
 2. Measured at 1.0 MHz and applied reverse voltage of 4.0 V DC.
 3. Mounted on FR-4 P.C. Board with minimum recommended pad size.
 4. Mounted on FR-4 P.C. Board with 700mm² copper pads.

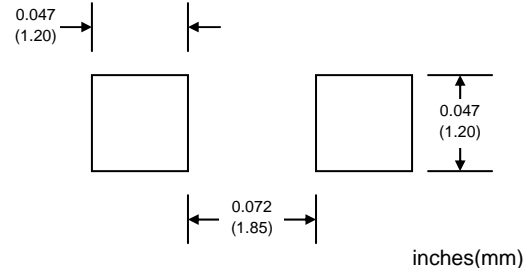


MARKING INFORMATION



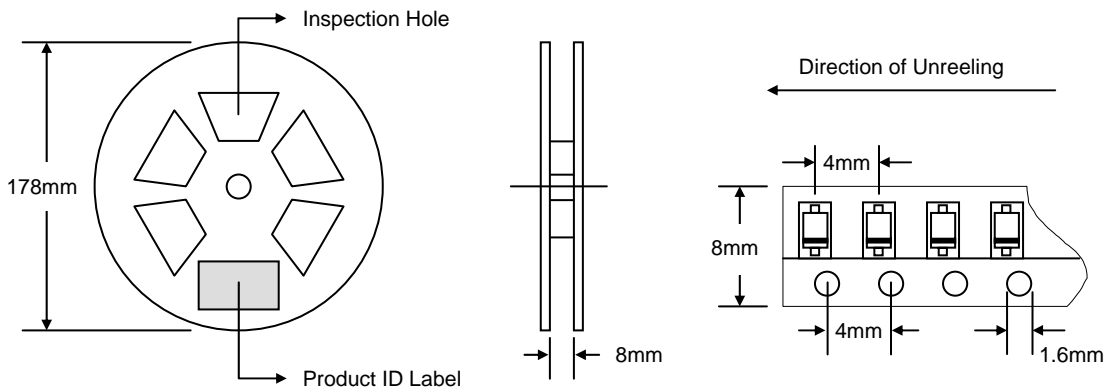
Cathode = Polarity Band
 U1x = Device Code
 x = A (US1000FL)
 B (US1001FL)
 D (US1002FL)
 G (US1004FL)
 J (US1006FL)
 K (US1008FL)
 M (US1010FL)

RECOMMENDED FOOTPRINT



PACKAGING INFORMATION

TAPE & REEL



Reel Diameter (mm)	Quantity (PCS)	Inner Box Size L x W x H (mm)	Quantity (PCS)	Carton Size L x W x H (mm)	Quantity (PCS)	Approx. Gross Weight (KG)
178	3,000	195 x 135 x 195	30,000	370 x 370 x 420	240,000	10.0

Note: 1. Anti-static plastic reel, white, water clear or blue color. Inspection hole might be varied in different alignment.
 2. Components are packed in accordance with EIA standard 481-1 and 481-2.

ORDERING INFORMATION

Product No.	Package Type	Shipping Quantity
US1000FL-T1	SDO-123FL	3000/Tape & Reel
US1001FL-T1	SDO-123FL	3000/Tape & Reel
US1002FL-T1	SDO-123FL	3000/Tape & Reel
US1004FL-T1	SDO-123FL	3000/Tape & Reel
US1006FL-T1	SDO-123FL	3000/Tape & Reel
US1008FL-T1	SDO-123FL	3000/Tape & Reel
US1010FL-T1	SDO-123FL	3000/Tape & Reel

1. Shipping quantity given is for minimum packing quantity only. For minimum order quantity, please consult the Sales Department.
2. **To order RoHS / Lead Free version (with Lead Free finish), add "-LF" suffix to part number above. For example, US1000FL-T1-LF.**

WON-TOP ELECTRONICS and  are registered trademarks of Won-Top Electronics Co., Ltd (WTE). WTE has checked all information carefully and believes it to be correct and accurate. However, WTE cannot assume any responsibility for inaccuracies. Furthermore, this information does not give the purchaser of semiconductor devices any license under patent rights to manufacturer. WTE reserves the right to change any or all information herein without further notice.

WARNING: DO NOT USE IN LIFE SUPPORT EQUIPMENT. WTE power semiconductor products are not authorized for use as critical components in life support devices or systems without the express written approval.

Won-Top Electronics Co., Ltd.
No. 44 Yu Kang North 3rd Road,
Chine Chen Dist., Kaohsiung 806, Taiwan
Phone: 886-7-822-5408 or 886-7-822-5410
Fax: 886-7-822-5417
Email: sales@wontop.com
Internet: <http://www.wontop.com>

We power your everyday.