



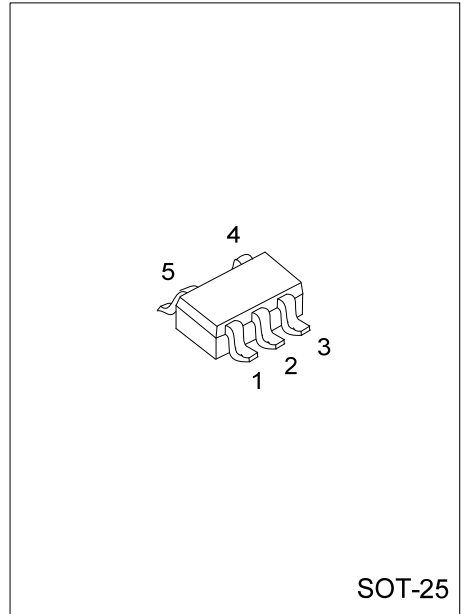
SINGLE-CHANNEL HIGH-SPEED MOSFET DRIVER

DESCRIPTION

The UTC **US2829** is a single-channel high-speed MOS-FET driver. The device is fabricated by use of BICMOS outputs to achieve high switching speed. The outputs are capable of delivering peak currents up to 2A into capacitive loads.

FEATURES

- * Low-cost single-channel high-speed MOSFET driver
- * 2A peak output current
- * 25ns max rise/fall times and 40ns max propagation delay, 1nF load
- * Low power dissipation: $I_{CC}=15\mu A(\text{Max})$ @ $T_a=25^\circ C$
- * Broad V_{CC} operating range: 4V to 14V

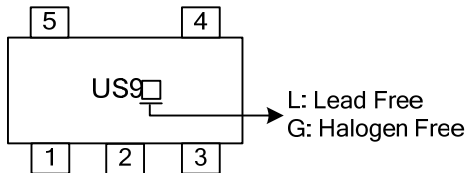


ORDERING INFORMATION

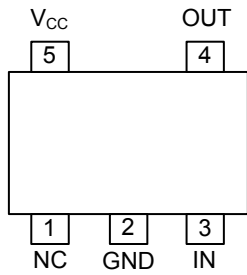
Ordering Number		Package	Packing
Lead Free	Halogen Free		
US2829L-AF5-R	US2829G-AF5-R	SOT-25	Tape Reel

<p>US2829L-AF5-R</p> <p>(1) Packing Type (2) Package Type (3) Lead Free</p>	<p>(1) R: Tape Reel (2) AF5: SOT-25 (3) H: Halogen Free, L: Lead Free</p>
---	---

MARKING



■ PIN CONFIGURATION



■ PIN DESCRIPTION

PIN NO.	PIN NAME	DESCRIPTION
1	NC	Not connected
2	GND	Ground Connection
3	IN	Driver input
4	OUT	Driver output, OUT= IN
5	V _{cc}	Driver supply voltage/regulator output voltage

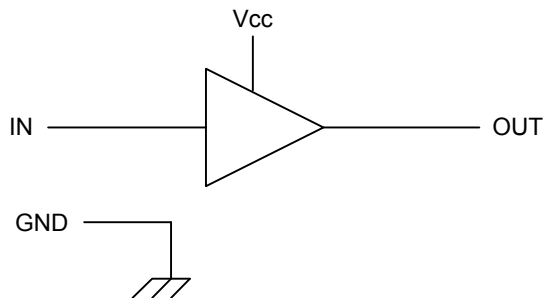
■ FUNCTION TABLE

INPUT(IN)	OUTPUT(OUT)
H	H
L	L

H: High Level

L: Low Level

■ LOGIC DIAGRAM



■ ABSOLUTE MAXIMUM RATING

PARAMETER	SYMBOL	RATINGS	UNIT
Supply Voltage	V_{CC}	-0.3 ~ +15	V
Input Voltage	V_{IN}	-0.3 ~ $V_{CC} + 0.5$	V
Output Voltage	V_{OUT}	-0.5 ~ $V_{CC} + 0.5$	V
Continuous Output Current	I_{OUT}	±100	mA
Power Dissipation	P_D	437	mW
Derated Above 25°C		3.5	mW/°C
Operating Temperature	T_{OPR}	-40 ~ + 125	°C
Storage Temperature	T_{STG}	-65 ~ + 150	°C

Note: Absolute maximum ratings are those values beyond which the device could be permanently damaged.

Absolute maximum ratings are stress ratings only and functional device operation is not implied.

■ RECOMMENDED OPERATING CONDITIONS

PARAMETER	SYMBOL	MIN	TYP	MAX	UNIT
Supply Voltage	V_{CC}	4		14	V
Input Voltage	V_{IN}	-0.3		V_{CC}	V
Operating Temperature	T_{OPR}	-40		125	°C

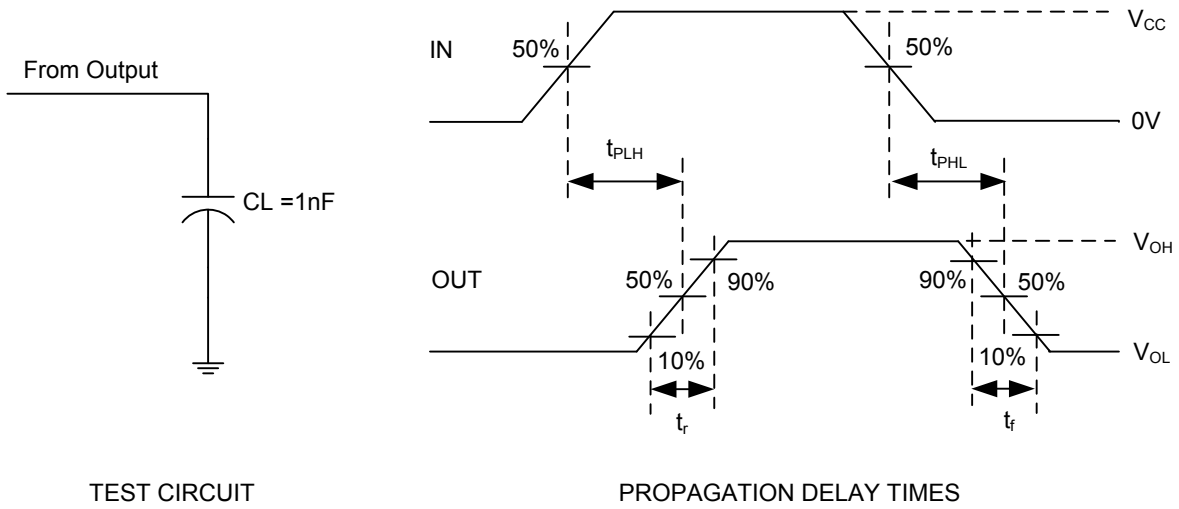
■ ELECTRICAL CHARACTERISTICS (Ta=25°C , unless otherwise specified)

PARAMETER	SYMBOL	TEST CONDITIONS	MIN	TYP	MAX	UNIT
High-Level Output Voltage	V_{OH}	$V_{CC}=10V, I_{OH}=-1mA$	9.75	9.9		V
		$V_{CC}=10V, I_{OH}=-100mA$	8	9.1		V
Low-Level Output Voltage	V_{OL}	$V_{CC}=10V, I_{OL}=1mA$		0.18	0.25	V
		$V_{CC}=10V, I_{OL}=100mA$		1	2	V
Positive-going input threshold voltage	V_{T+}	$V_{CC}=5V$		3.3	4	V
		$V_{CC}=10V$		6.6	7	V
		$V_{CC}=14V$		9.3	10	V
Negative-going input threshold voltage	V_{T-}	$V_{CC}=5V$	1	1.7		V
		$V_{CC}=10V$	2	3.3		V
		$V_{CC}=14V$	2.5	4.6		V
Input voltage hysteresis	$V_{T+}-V_{T-}$		1.3		V	
Input Leakage Current	$I_{I(LEAK)}$	$V_{CC}=10V, V_{IN}=0$ or V_{CC}		0.2		μA
Supply Current	I_{CC}	$V_{CC}=10V, V_{IN}=V_{CC}$ or GND, $I_{OUT}=0$		0.1	15	μA
Input Capacitance	C_{IN}	$V_{CC}=10V$		5	10	pF

■ SWITCHING CHARACTERISTICS (see TEST CIRCUIT AND WAVEFORMS)

PARAMETER	SYMBOL	TEST CONDITIONS	MIN	TYP	MAX	UNIT
Propagation delay from input (IN) to output(OUT)	t_{PLH} t_{PHL}	$V_{CC}=14V, C_L=1nF$			40	ns
		$V_{CC}=10V, C_L=1nF$		24	45	ns
		$V_{CC}=5V, C_L=1nF$				50
Output transition time	t_r/t_f	$V_{CC}=14V, C_L=1nF$			25	ns
		$V_{CC}=10V, C_L=1nF$		14	30	ns
		$V_{CC}=5V, C_L=1nF$				35

■ TEST CIRCUIT AND WAVEFORMS



Note: C_L includes probe and jig capacitance.
 All input pulses are supplied by generators having the following characteristics: P_{RR} ≤ 1MHz, Z_O = 50Ω,
 t_R ≤ 6ns, t_F ≤ 6ns.

UTC assumes no responsibility for equipment failures that result from using products at values that exceed, even momentarily, rated values (such as maximum ratings, operating condition ranges, or other parameters) listed in products specifications of any and all UTC products described or contained herein. UTC products are not designed for use in life support appliances, devices or systems where malfunction of these products can be reasonably expected to result in personal injury. Reproduction in whole or in part is prohibited without the prior written consent of the copyright owner. The information presented in this document does not form part of any quotation or contract, is believed to be accurate and reliable and may be changed without notice.