



4th Generation USB2.0 Flash Media Controller with Integrated Card Power FETs

PRODUCT FEATURES

Datasheet

- Complete System Solution for interfacing SmartMedia[™] (SM) or xD Picture Card[™] (xD)¹, Memory Stick[™] (MS), High Speed Memory Stick (HSMS), Memory Stick PRO (MSPRO), MS Duo[™], Secure Digital (SD), Mini-Secure Digital (Mini-SD), TransFlash (SD), MultiMediaCard[™] (MMC), Reduced Size MultiMediaCard (RS-MMC), NAND Flash, Compact Flash[™] (CF) and CF Ultra[™] I & II, and CF form-factor ATA hard drives to USB2.0 bus
 - Supports USB Bulk Only Mass Storage Compliant Bootable BIOS
- Support for simultaneous operation of all above devices. (only one at a time of each of the following groups supported: CF or ATA drive, SM or XD or NAND, SD or MMC)
- On-Chip 4-Bit High Speed Memory Stick and MS PRO Hardware Circuitry
- On-Chip firmware reads and writes High Speed Memory Stick and MS PRO
- 1-bit ECC correction performed in hardware for maximum efficiency
- Hardware support for SD Security Command Extensions
- On-chip power FETs for supplying flash media card power with minimum board components
- USB Bus Power Certified
- 3.3 Volt I/O with 5V input tolerance on VBUS/GPIO3
- Complete USB Specification 2.0 Compatibility for Bus Powered Operation
 - Includes USB2.0 Transceiver
 - A Bi-directional Control and a Bi-directional Bulk Endpoint are provided.
- 8051 8 bit microprocessor
 - Provides low speed control functions
 - 30 Mhz execution speed at 4 cycles per instruction average
 - 12K Bytes of internal SRAM for general purpose scratchpad
 - 768 Bytes of internal SRAM for general purpose scratchpad or program execution while re-flashing external ROM
- Double Buffered Bulk Endpoint
 - Bi-directional 512 Byte Buffer for Bulk Endpoint
 - 64 Byte RX Control Endpoint Buffer
 - 64 Byte TX Control Endpoint Buffer
- Internal or External Program Memory Interface
 - 64K Byte Internal Code Space or Optional 64K Byte External Code Space using Flash, SRAM or EPROM memory.
- On Board 24Mhz Crystal Driver Circuit
- Can be clocked by 48MHz external source
- On-Chip 1.8V Regulator for Low Power Core Operation
- Internal PLL for 480Mhz USB2.0 Sampling, Configurable MCU clock
- Supports firmware upgrade via USB bus if “boot block” Flash program memory is used
- 15 GPIOs for special function use: LED indicators, button inputs, power control to memory devices, etc.
 - Inputs capable of generating interrupts with either edge sensitivity
 - Attribute bit controlled features:
 - Activity LED polarity/operation/blink rate
 - Full or Partial Card compliance checking
 - Bus or Self Powered
 - LUN configuration and assignment
 - Write Protect Polarity
 - SmartDetach[™] Detach from USB when no Card Inserted for Notebook apps
 - Cover Switch operation for xD compliance
 - Inquiry Command operation
 - SD Write Protect operation
 - Older CF card support
 - Force USB 1.1 reporting
 - Internal or External Power FET operation
- Compatible with Microsoft WinXP, WinME, Win2K SP3, Apple OS10, Softconnex, and Linux Multi-LUN Mass Storage Class Drivers
- Win2K, Win98/98SE and Apple OS8.6 and OS9 Multi-LUN Mass Storage Class Drivers available from SMSC
- 128 Pin VTQFP Lead-free RoHS Compliant Package (1.0mm height, 14mm x14mm footprint)
- 124 Pin DQFN Lead-free RoHS Compliant Package (0.8mm height, 10mm x10mm footprint)

¹.xD Picture Card not applicable to USB2227

ORDER NUMBERS:**USB2227/USB2228-NU-05 FOR 128 PIN, VTQFP LEAD-FREE ROHS COMPLIANT PACKAGE****USB2227/USB2228-AHXS-XX FOR 124 PIN, DQFN LEAD-FREE ROHS COMPLIANT PACKAGE**

80 Arkay Drive
Hauppauge, NY 11788
(631) 435-6000
FAX (631) 273-3123

Copyright © 2006 SMSC or its subsidiaries. All rights reserved.

Circuit diagrams and other information relating to SMSC products are included as a means of illustrating typical applications. Consequently, complete information sufficient for construction purposes is not necessarily given. Although the information has been checked and is believed to be accurate, no responsibility is assumed for inaccuracies. SMSC reserves the right to make changes to specifications and product descriptions at any time without notice. Contact your local SMSC sales office to obtain the latest specifications before placing your product order. The provision of this information does not convey to the purchaser of the described semiconductor devices any licenses under any patent rights or other intellectual property rights of SMSC or others. All sales are expressly conditional on your agreement to the terms and conditions of the most recently dated version of SMSC's standard Terms of Sale Agreement dated before the date of your order (the "Terms of Sale Agreement"). The product may contain design defects or errors known as anomalies which may cause the product's functions to deviate from published specifications. Anomaly sheets are available upon request. SMSC products are not designed, intended, authorized or warranted for use in any life support or other application where product failure could cause or contribute to personal injury or severe property damage. Any and all such uses without prior written approval of an Officer of SMSC and further testing and/or modification will be fully at the risk of the customer. Copies of this document or other SMSC literature, as well as the Terms of Sale Agreement, may be obtained by visiting SMSC's website at <http://www.smsc.com>. SMSC is a registered trademark of Standard Microsystems Corporation ("SMSC"). Product names and company names are the trademarks of their respective holders.

SMSC DISCLAIMS AND EXCLUDES ANY AND ALL WARRANTIES, INCLUDING WITHOUT LIMITATION ANY AND ALL IMPLIED WARRANTIES OF MERCHANTABILITY, FITNESS FOR A PARTICULAR PURPOSE, TITLE, AND AGAINST INFRINGEMENT AND THE LIKE, AND ANY AND ALL WARRANTIES ARISING FROM ANY COURSE OF DEALING OR USAGE OF TRADE. IN NO EVENT SHALL SMSC BE LIABLE FOR ANY DIRECT, INCIDENTAL, INDIRECT, SPECIAL, PUNITIVE, OR CONSEQUENTIAL DAMAGES; OR FOR LOST DATA, PROFITS, SAVINGS OR REVENUES OF ANY KIND; REGARDLESS OF THE FORM OF ACTION, WHETHER BASED ON CONTRACT; TORT; NEGLIGENCE OF SMSC OR OTHERS; STRICT LIABILITY; BREACH OF WARRANTY; OR OTHERWISE; WHETHER OR NOT ANY REMEDY OF BUYER IS HELD TO HAVE FAILED OF ITS ESSENTIAL PURPOSE, AND WHETHER OR NOT SMSC HAS BEEN ADVISED OF THE POSSIBILITY OF SUCH DAMAGES.



Datasheet

Table of Contents

Chapter 1	General Description	6
Chapter 2	Acronyms	7
Chapter 3	Pin Configuration	8
Chapter 4	Block Diagram	10
Chapter 5	Pin Descriptions	11
5.1	PIN Descriptions	11
5.2	Buffer Type Descriptions	20
Chapter 6	DC Parameters	21
6.1	Maximum Guaranteed Ratings	21
6.2	Recommended Operating Conditions.....	22
6.3	Capacitance	24
Chapter 7	Package Outlines	25
Chapter 8	GPIO Usage	27

List of Tables

Table 5.1	USB2227/USB2228 Buffer Type Descriptions	20
Table 6.1	DC Electrical Characteristics	22
Table 7.1	USB2227/USB2228 128-Pin VTQFP Package Parameters	25
Table 7.2	USB2227/USB2228 124-Pin DQFN Package Parameters	26
Table 8.1	GPIO Usage (ROM Rev 0x00)	27



Datasheet

List of Figures

Figure 3.1	USB2227/USB2228 128-Pin VTQFP	8
Figure 3.2	USB2227/USB2228 124-Pin DQFN	9
Figure 4.1	USB2227/USB2228 Block Diagram	10
Figure 7.1	USB2227/USB2228 128-Pin VTQFP Package Outline	25
Figure 7.2	USB2227/USB2228 124-Pin DQFN Package Outline	26

Chapter 1 General Description

The USB2227/USB2228 is a USB2.0 Bulk Only Mass Storage Class Peripheral Controller intended for supporting CompactFlash (CF and CF Ultra I/II) in True IDE Mode only, SmartMedia (SM) and xD cards, Memory Stick (MS), Memory Stick DUO (MSDUO) and Memory Stick Pro (MSPRO), Secure Digital (SD), and MultiMediaCard (MMC) flash memory devices. It provides a single chip solution for the most popular flash memory cards in the market.

The device consists of a USB2.0 PHY and SIE, buffers, Fast 8051 microprocessor with expanded scratchpad, and program SRAM, and CF, MS, SM and SD controllers. The SD controller supports both SD and MMC devices. SM controller supports both SM and xD cards.

Provisions for external Flash Memory up to 64K bytes for program storage is provided.

12K bytes of scratchpad SRAM and 768 Bytes of program SRAM are also provided.

Fifteen GPIO pins are provided for indicators, external serial EEPROM for OEM id and system configuration information, and other special functions.

Internal power FETs are provided to directly supply power to the xD/SM, MMC/SD and MS/MSPRO cards.

The internal ROM program is capable of implementing any combination of single or multi-LUN CF/SD/MMC/SM/MS reader functions with individual card power control and activity indication. SMSC also provides licenses** for Win98 and Win2K drivers and setup utilities. Note: Please check with SMSC for precise features and capabilities for the current ROM code release.

*Note: In order to develop, make, use, or sell readers and/or other products using or incorporating any of the SMSC devices made the subject of this document or to use related SMSC software programs, technical information and licenses under patent and other intellectual property rights from or through various persons or entities, including without limitation media standard companies, forums, and associations, and other patent holders may be required. These media standard companies, forums, and associations include without limitation the following: Sony Corporation (Memory Stick, Memory Stick Pro); SD3 LLC (Secure Digital); MultiMedia Card Association (MultiMediaCard); the SSFDC Forum (SmartMedia); the Compact Flash Association (Compact Flash); and Fuji Photo Film Co., Ltd., Olympus Optical Co., Ltd., and Toshiba Corporation (xD-Picture Card). SMSC does not make such licenses or technical information available; does not promise or represent that any such licenses or technical information will actually be obtainable from or through the various persons or entities (including the media standard companies, forums, and associations), or with respect to the terms under which they may be made available; and is not responsible for the accuracy or sufficiency of, or otherwise with respect to, any such technical information.

SMSC's obligations (if any) under the Terms of Sale Agreement, or any other agreement with any customer, or otherwise, with respect to infringement, including without limitation any obligations to defend or settle claims, to reimburse for costs, or to pay damages, shall not apply to any of the devices made the subject of this document or any software programs related to any of such devices, or to any combinations involving any of them, with respect to infringement or claimed infringement of any existing or future patents related to solid state disk or other flash memory technology or applications ("Solid State Disk Patents"). By making any purchase of any of the devices made the subject of this document, the customer represents, warrants, and agrees that it has obtained all necessary licenses under then-existing Solid State Disk Patents for the manufacture, use and sale of solid state disk and other flash memory products and that the customer will timely obtain at no cost or expense to SMSC all necessary licenses under Solid State Disk Patents; that the manufacture and testing by or for SMSC of the units of any of the devices made the subject of this document which may be sold to the customer, and any sale by SMSC of such units to the customer, are valid exercises of the customer's rights and licenses under such Solid State Disk Patents; that SMSC shall have no obligation for royalties or otherwise under any Solid State Disk Patents by reason of any such manufacture, use, or sale of such units; and that SMSC shall have no obligation for any costs or expenses related to the customer's obtaining or having obtained rights or licenses under any Solid State Disk Patents.

SMSC MAKES NO WARRANTIES, EXPRESS, IMPLIED, OR STATUTORY, IN REGARD TO INFRINGEMENT OR OTHER VIOLATION OF INTELLECTUAL PROPERTY RIGHTS. SMSC DISCLAIMS AND EXCLUDES ANY AND ALL WARRANTIES AGAINST INFRINGEMENT AND THE LIKE.

No license is granted by SMSC expressly, by implication, by estoppel or otherwise, under any patent, trademark, copyright, mask work right, trade secret, or other intellectual property right.

**To obtain this software program the appropriate SMSC Software License Agreement must be executed and in effect. Forms of these Software License Agreements may be obtained by contacting SMSC.

Chapter 2 Acronyms

- SM:** SmartMedia
- SMC:** SmartMedia Controller
- FM:** Flash Media
- FMC:** Flash Media Controller
- CF:** Compact Flash
- CFC:** CompactFlash Controller
- SD:** Secure Digital
- SDC:** Secure Digital Controller
- MMC:** MultiMediaCard
- MS:** Memory Stick
- MSC:** Memory Stick Controller
- TPC:** Transport Protocol Code.
- ECC:** Error Checking and Correcting
- CRC:** Cyclic Redundancy Checking

Chapter 3 Pin Configuration

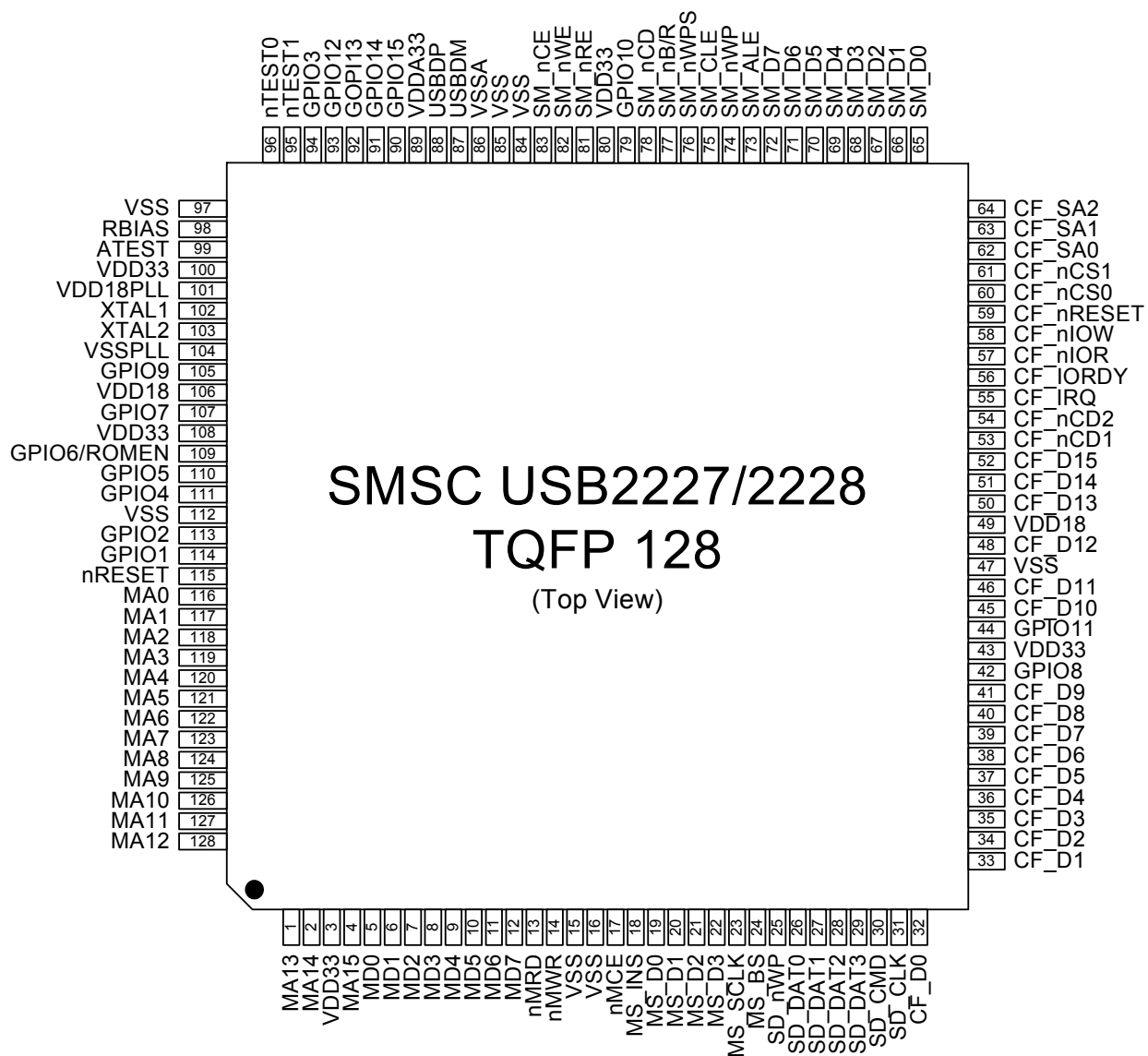


Figure 3.1 USB2227/USB2228 128-Pin VTQFP

Chapter 4 Block Diagram

Revision 1.91 (10-13-06)

10
 DATASHEET

SMSC USB2227/USB2228

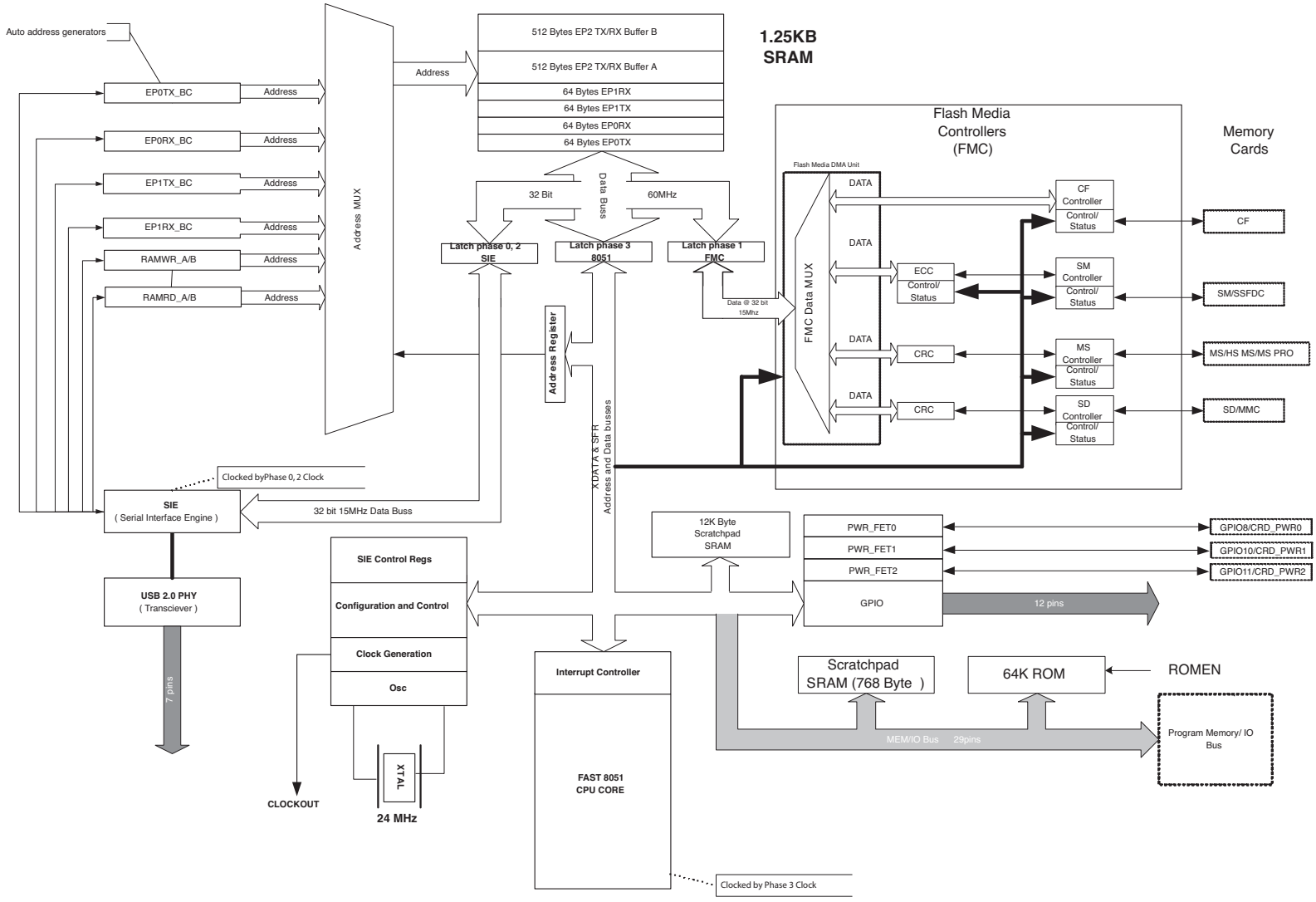


Figure 4.1 USB2227/USB2228 Block Diagram

Chapter 5 Pin Descriptions

This section provides a detailed description of each signal. The signals are arranged in functional groups according to their associated interface.

The “n” symbol in the signal name indicates that the active, or asserted state occurs when the signal is at a low voltage level. When “n” is not present before the signal name, the signal is asserted when at the high voltage level.

The terms assertion and negation are used exclusively. This is done to avoid confusion when working with a mixture of “active low” and “active high” signal. The term assert, or assertion indicates that a signal is active, independent of whether that level is represented by a high or low voltage. The term negate, or negation indicates that a signal is inactive.

5.1 PIN Descriptions

SYMBOL	128-PIN VTQFP	124-PIN DQFN	BUFFER TYPE	DESCRIPTION
CompactFlash (In True IDE mode) INTERFACE				
CF_nCS1	61	A31	O8PU	CF Chip Select 1: This pin is the active low chip select 1 signal for the CF ATA device.
CF_nCS0	60	B28	O8PU	CF Chip Select 0: This pin is the active low chip select 0 signal for the task file registers of CF ATA device in the True IDE mode.
CF_SA2	64	B30	O8	CF Register Address 2: This pin is the register select address bit 2 for the CF ATA device.
CF_SA1	63	A32	O8	CF Register Address 1: This pin is the register select address bit 1 for the CF ATA device.
CF_SA0	62	B29	O8	CF Register Address 0: This pin is the register select address bit 0 for the CF ATA device.
CF_IRQ	55	B26	IPD	CF Interrupt: This is the active high interrupt request signal from the CF device.
CF_D[15:8]	52 51 50 48 46 45 41 40	A26 B24 A25 A24 B22 A23 A21 A20	I/O8PD	CF Data 15-8: The bi-directional data signals CF_D15-CF_D8 in True IDE mode data transfer. In the True IDE Mode, all of task file register operation occur on the CF_D[7:0], while the data transfer is on CF_D[15:0]. The bi-directional data signal has an internal weak pull-down resistor.

SYMBOL	128-PIN VTQFP	124-PIN DQFN	BUFFER TYPE	DESCRIPTION
CF_D[7:0]	39 38 37 36 35 34 33 32	B19 A19 B18 A18 B17 A17 B16 B15	I/O8PD	CF Data 7-0: The bi-directional data signals CF_D7-CF_D0 in the True IDE mode data transfer. In the True IDE Mode, all of task file register operation occur on the CF_D[7:0], while the data transfer is on CF_D[15:0]. The bi-directional data signal has an internal weak pull-down resistor.
CF_IORDY	56	A28	IPU	IO Ready: This pin is active high input signal. This pin has an internally controlled weak pull-up resistor.
CF_nCD2	54	A27	IPU	CF Card Detection2: This card detection pin is connected to the ground on the CF device, when the CF device is inserted. This pin has an internally controlled weak pull-up resistor.
CF_nCD1	53	B25	IPU	CF Card Detection1: This card detection pin is connected to ground on the CF device, when the CF device is inserted. This pin has an internally controlled weak pull-up resistor.
CF_nRESET	59	A30	O8	CF Hardware Reset: This pin is an active low hardware reset signal to CF device.
CF_nIOR	57	A29	O8	CF IO Read: This pin is an active low read strobe signal for CF device.
CF_nIOW	58	B27	O8	CF IO Write Strobe: This pin is an active low write strobe signal for CF device.
SmartMedia INTERFACE				
SM_nWP	74	B35	O8PD	SM Write Protect: This pin is an active low write protect signal for the SM device. This pin has a weak pull-down resistor that is permanently enabled.
SM_ALE	73	A37	O8PD	SM Address Strobe: This pin is an active high Address Latch Enable signal for the SM device. This pin has a weak pull-down resistor that is permanently enabled.

Datasheet

SYMBOL	128-PIN VTQFP	124-PIN DQFN	BUFFER TYPE	DESCRIPTION
SM_CLE	75	A38	O8PD	<p>SM Command Strobe:</p> <p>This pin is an active high Command Latch Enable signal for the SM device.</p> <p>This pin has a weak pull-down resistor that is permanently enabled.</p>
SM_D[7:0]	72 71 70 69 68 67 66 65	B34 A36 A35 B33 A34 B32 A33 B31	I/O8PD	<p>SM Data 7-0:</p> <p>These pins are the bi-directional data signal SM_D7-SM_D0.</p> <p>The bi-directional data signal has an internal weak pull-down resistor.</p>
SM_nRE	81	A41	08PU	<p>SM Read Enable:</p> <p>This pin is an active low read strobe signal for SM device.</p> <p>When using the internal FET, this pin has an internal weak pull-up resistor that is tied to the output of the internal Power FET.</p>
			08	If an external FET is used (Internal FET is disabled), then the internal pull-up is not available (external pull-ups must be used, and should be connected to the applicable Card Power Supply).
SM_nWE	82	B39	08PU	<p>SM Write Enable:</p> <p>This pin is an active low write strobe signal for SM device.</p> <p>When using the internal FET, this pin has an internal weak pull-up resistor that is tied to the output of the internal Power FET.</p>
			08	If an external FET is used (Internal FET is disabled), then the internal pull-up is not available (external pull-ups must be used, and should be connected to the applicable Card Power Supply).
SM_nWPS	76	B36	IPU	<p>SM Write Protect Switch:</p> <p>A write-protect seal is detected, when this pin is low.</p> <p>This pin has an internally controlled weak pull-up resistor.</p>
SM_nB/R	77	A39	I	<p>SM Busy or Data Ready:</p> <p>This pin is connected to the BSY/RDY pin of the SM device.</p> <p>An external pull-up resistor is required on this signal. The pull-up resistor must be pulled up to the same power source that powers the SM/NAND flash device.</p>

SYMBOL	128-PIN VTQFP	124-PIN DQFN	BUFFER TYPE	DESCRIPTION
SM_nCE	83	A42	O8PU	SM Chip Enable: This pin is the active low chip enable signal to the SM device. When using the internal FET, this pin has an internal weak pull-up resistor that is tied to the output of the internal Power FET.
			08	If an external FET is used (Internal FET is disabled), then the internal pull-up is not available (external pull-ups must be used, and should be connected to the applicable Card Power Supply).
SM_nCD	78	B37	IPU	SM Card Detection: This is the card detection signal from SM device to indicate if the device is inserted. This pin has an internally controlled weak pull-up resistor.
MEMORY STICK INTERFACE				
MS_BS	24	A12	O8	MS Bus State: This pin is connected to the BS pin of the MS device. It is used to control the Bus States 0, 1, 2 and 3 (BS0, BS1, BS2 and BS3) of the MS device.
MS_SDIO/M S_D0	19	B9	I/O8PD	MS System Data In/Out: This pin is a bi-directional data signal for the MS device. Most significant bit (MSB) of each byte is transmitted first by either MSC or MS device. The bi-directional data signal has an internal weak pull-down resistor.
MS_D1	20	A10	I/O8PD	MS System Data In/Out: This pin is a bi-directional data signal for the MS device. This pin has internally controlled weak pull-up and pull-down resistors for various operational modes.
MS_D[3:2]	22 21	A11 B10	I/O8PD	MS System Data In/Out: This pin is a bi-directional data signal for the MS device. The bi-directional data signal has an internal weak pull-down resistor.
MS_INS	18	A9	IPU	MS Card Insertion: This pin is the card detection signal from the MS device to indicate, if the device is inserted. This pin has an internally controlled weak pull-up resistor.

Datasheet

SYMBOL	128-PIN VTQFP	124-PIN DQFN	BUFFER TYPE	DESCRIPTION
MS_SCLK	23	B11	O8	MS System CLK: This pin is an output clock signal to the MS device. The clock frequency is software configurable.
SD INTERFACE				
SD_DAT[3:0]	29 28 27 26	A15 B13 A14 B12	I/O8PU	SD Data 3-0: These are bi-directional data signals. These pins have internally controlled weak pull-up resistors.
SD_CLK	31	A16	O8	SD Clock: This is an output clock signal to SD/MMC device. The clock frequency is software configurable.
SD_CMD	30	B14	I/O8PU	SD Command: This is a bi-directional signal that connects to the CMD signal of SD/MMC device. This pin has an internally controlled weak pull-up resistor.
SD_nWP	25	A13	IPD	SD Write Protected: This pin is an input signal with an internal weak pull-down. This pin has an internally controlled weak pull-down resistor.
USB INTERFACE				
USBDM USBDP	87 88	A44 B41	IO-U	USB Bus Data: These pins connect to the USB bus data signals.
RBIAS	98	A49	I	USB Transceiver Bias: A 12.0k Ω , \pm 1.0% resistor is attached from VSSA to this pin, in order to set the transceiver's internal bias currents.
ATEST	99	B47	AIO	Analog Test: This signal is used for testing the analog section of the chip and should be connected to VDDA33 for normal operation.
VDD18PLL	101	B48		1.8v Power for the PLL
VSSPLL	104	A52		PLL Ground Reference: Ground Reference for 1.8v PLL power
VDDA33	89	A45		3.3v Analog Power
VSSA	86	A43		Analog Ground Reference: Analog Ground Reference for 3.3v Analog Power.

SYMBOL	128-PIN VTQFP	124-PIN DQFN	BUFFER TYPE	DESCRIPTION
XTAL1/ CLKIN	102	A51	ICLKx	Crystal Input/External Clock Input: 24Mhz Crystal or external clock input. This pin can be connected to one terminal of the crystal or can be connected to an external 24Mhz clock when a crystal is not used. Note: The 'MA[2:0] pins will be sampled while nRESET is asserted, and the value will be latched upon nRESET negation. This will determine the clock source and value.
XTAL2	103	B49	OCLKx	Crystal Output: 24Mhz Crystal This is the other terminal of the crystal, or left open when an external clock source is used to drive XTAL1/CLKIN. It may not be used to drive any external circuitry other than the crystal circuit.
MEMORY/IO INTERFACE				
MD[7:0]	12 11 10 9 8 7 6 5	B6 A6 B5 A5 A4 B4 A3 B3	I/O8PU	Memory Data Bus: When ROMEN bit of GPIO_IN1 register = 0, these signals are used to transfer data between the internal CPU and the external program memory. These pins have internally controlled weak pull-up resistors.
MA[15:3]	4 2 1 128 127 126 125 124 123 122 121 120 119	A2 A1 B1 B60 A64 B59 A63 B58 A62 B57 A61 A60 B56	O8	Memory Address Bus: These signals address memory locations within the external memory.

Datasheet

SYMBOL	128-PIN VTQFP	124-PIN DQFN	BUFFER TYPE	DESCRIPTION
MA2/ SEL_CLKDR V	118	A59	I/O8PD	<p>Memory Address Bus:</p> <p>MA2 Addresses memory locations within the external memory.</p> <p>SEL_CLKDRV. During nRESET assertion, this pins will select the operating clock mode (crystal or externally driven clock source), and a weak pull-down resistor is enabled. When nRESET is negated, the value will be internally latched and this pin will revert to MA2 functionality, the internal pull-down will be disabled.</p> <p>'0' = Crystal operation (24MHz only) '1' = Externally driven clock source (24MHz or 48MHz)</p> <p>Note: If the latched value is '1', then the MA2 pin is tri-stated when the following conditions are true:</p> <ol style="list-style-type: none"> 1. IDLE bit (PCON.0) is 1. 2. INT2 is negated 3. SLEEP bit of CLOCK_SEL is 1. <p>If the latched value is '0', then the MA2 pin will function identically to the MA[15:3] pins at all times (other than during nRESET assertion).</p>
MA[1:0]/CLK_ SEL[1:0]	117 116	B55 A58	I/O8PD	<p>Memory Address Bus:</p> <p>MA[1:0]. These signals address memory locations within the external memory.</p> <p>SEL[1:0]. During nRESET assertion, these pins will select the operating frequency of the external clock, and the corresponding weak pull-down resistors are enabled. When nRESET is negated, the value on these pins will be internal latched and these pins will revert to MA[1:0] functionality, the internal pull-downs will be disabled.</p> <p>SEL[1:0] = '00'. 24MHz SEL[1:0] = '01'. RESERVED SEL[1:0] = '10'. RESERVED SEL[1:0] = '11'. 48MHz</p> <p>Note: If the latched value is '1', then the corresponding MA pin is tri-stated when the following conditions are true:</p> <ol style="list-style-type: none"> 1. IDLE bit (PCON.0) is 1. 2. INT2 is negated 3. SLEEP bit of CLOCK_SEL is 1. <p>If the latched value is '0', then the corresponding MA pin will function identically to the MA[15:3] pins at all times (other than during nRESET assertion).</p>
nMWR	14	B7	O8	<p>Memory Write Strobe:</p> <p>Program Memory Write; active low</p>
nMRD	13	A7	O8	<p>Memory Read Strobe:</p> <p>Program Memory Read; active low</p>

SYMBOL	128-PIN VTQFP	124-PIN DQFN	BUFFER TYPE	DESCRIPTION
nMCE	17	B8	O8	Memory Chip Enable: Program Memory Chip Enable; active low. This signal is asserted, when any of the following conditions are no longer met: 1. IDLE bit (PCON.0) is 1. 2. INT2 is negated 3. SLEEP bit of CLOCK_SEL is 1. Note: This signal is held to a logic 'high' while nRESET is asserted.
MISC				
GPIO1	114	A57	I/O8	General Purpose I/O: This pin may be used either as input, edge sensitive interrupt input, or output.
GPIO2	113	B53	I/O8	General Purpose I/O: This pin may be used either as input, edge sensitive interrupt input, or output.
GPIO3	94	B44	I/O8	General Purpose I/O: This pin may be used either as input, edge sensitive interrupt input, or output.
GPIO4	111	A56	I/O8	General Purpose I/O: This pin may be used either as input, edge sensitive interrupt input, or output.
GPIO5	110	B52	I/O8	General Purpose I/O: This pin may be used either as input, edge sensitive interrupt input, or output.
GPIO6/ ROMEN	109	A55	I/O8	GPIO6, ROMEN: This pin has an internal weak pull-up resistor that is enabled or disabled by the state of nRESET. The pull-up is enabled when nRESET is active. The pull-up is disabled, when the nRESET is inactive (some clock cycles later, after the rising edge of nRESET). The state of this pin is latched internally on the rising edge of nRESET to determine if internal or external program memory is used. The state latched is stored in ROMEN bit of GPIO_IN1 register.
			I/O8	After the rising edge of nRESET, this pin may be used as GPIO6 or RXD. When pulled low via an external weak pull-down resistor, an external program memory should be connected to the memory data bus. The USB2227/USB2228 uses this external bus for program execution. When this pin is left unconnected or pulled high by a weak pull-up resistor, the USB2227/USB2228 uses the internal ROM for program execution.

Datasheet

SYMBOL	128-PIN VTQFP	124-PIN DQFN	BUFFER TYPE	DESCRIPTION
GPIO7	107	A54	I/O8	General Purpose I/O: This pin may be used either as input, edge sensitive interrupt input, or output.
GPIO8/ CRD_PWR0	42	B20	I/O8	General Purpose I/O or Card Power: GPIO: This pin may be used either as input, edge sensitive interrupt input, or output.
				CRD_PWR: Card Power drive of 3.3V @ 100mA.
GPIO9	105	B50	I/O8	General Purpose I/O: This pin may be used either as input, edge sensitive interrupt input, or output.
GPIO10/ CRD_PWR1	79	A40	I/O8	General Purpose I/O or Card Power: GPIO: These pins may be used either as input, edge sensitive interrupt input, or output.
				CRD_PWR: Card Power drive of 3.3V @ 100mA.
GPIO11/ CRD_PWR2	44	B21	I/O8	General Purpose I/O or Card Power: GPIO: This pin may be used either as input, edge sensitive interrupt input, or output.
				CRD_PWR: Card Power drive of 3.3V @ 200mA.
GPIO[15:12]	90 91 92 93	B42 A46 B43 A47	I/O8	General Purpose I/O: These pins may be used either as input, or output.
nRESET	115	B54	IS	RESET input: This active low signal is used by the system to reset the chip. The active low pulse should be at least 1μs wide.
nTEST[1:0]	95 96	A48 B45	I	TEST input: These signals are used for testing the chip. User should normally tie them high externally, if the test function is not used.
DIGITAL POWER, GROUNDS, and NO CONNECTS				
VDD18	49 106	B23 A53		1.8v Digital Core Power: +1.8V Core power All VDD18 pins must be connected together on the circuit board.
VDD33	3 43 80 100 108	B2 A22 B38 A50 B51		3.3v Power & Voltage Regulator Input: 3.3V Power & Regulator Input. pins 100 & 108 supply 3.3V power to the internal 1.8V regulators.

SYMBOL	128-PIN VTQFP	124-PIN DQFN	BUFFER TYPE	DESCRIPTION
VSS	15 16 47 84 85 97 112	A8 B40		Ground: Ground Reference

Notes:

- Hot-insertion capable card connectors are required for all flash media. It is required for SD connector to have Write Protect switch. This allows the chip to detect MMC card.
- nMCE is normally asserted except when the 8051 is in standby mode.
- VDD18 (Pin 106) and VDD18PLL (Pin 101) must have a 10uF +/-20% Low-ESR (equivalent series resistance) <0.1 ohm bypass capacitor to VSSA. These capacitors must be as close to these pins as possible.

5.2 Buffer Type Descriptions

Table 5.1 USB2227/USB2228 Buffer Type Descriptions

BUFFER	DESCRIPTION
I	Input
IPU	Input with internal weak pull-up resistor.
IPD	Input with internal weak pull-down resistor.
IS	Input with Schmitt trigger
I/O8	Input/Output buffer with 8mA sink and 8mA source.
I/O8PU	Input/Output buffer with 8mA sink and 8mA source, with an internal weak pull-up resistor.
I/O8PD	Input/Output buffer with 8mA sink and 8mA source, with an internal weak pull-down resistor.
O8	Output buffer with 8mA sink and 8mA source.
O8PU	Output buffer with 8mA sink and 8mA source, with an internal weak pull-up resistor.
O8PD	Output buffer with 8mA sink and 8mA source, with an internal weak pull-down resistor.
ICLKx	XTAL clock input
OCLKx	XTAL clock output
I/O-U	Analog Input/Output Defined in USB specification
AIO	Analog Input/Output

Chapter 6 DC Parameters

6.1 Maximum Guaranteed Ratings

PARAMETER	SYMBOL	MIN	MAX	UNITS	COMMENTS
Storage Temperature	T_A	-55	150	°C	
Lead Temperature			325	°C	Soldering < 10 seconds
3.3V supply voltage	V_{DD33} , V_{DDA33}	-0.5	4.0	V	
Voltage on GPIO3 & USBDP/DM pins		-0.5	$(3.3V \text{ supply voltage} + 2) \leq 6$	V	
Voltage on GPIO8,10&11		-0.5	$V_{DD33} + 0.3$	V	When internal power FET operation of these pins is enabled, these pins may be simultaneously shorted to ground or any voltage up to 3.63V indefinitely, without damage to the device as long as V_{DD33} and V_{DDA33} are less than 3.63V and T_A is less than 70°C.
Voltage on any signal pin		-0.5	$V_{DD33} + 0.3$	V	
Voltage on XTAL1		-0.5	4.0	V	
Voltage on XTAL2		-0.5	$V_{DD18} + 0.3$	V	

Note: Stresses above the specified parameters may cause permanent damage to the device. This is a stress rating only and functional operation of the device at any condition above those indicated in the operation sections of this specification is not implied.

Note: When powering this device from laboratory or system power supplies, it is important that the Absolute Maximum Ratings not be exceeded or device failure can result. Some power supplies exhibit voltage spikes on their outputs when the AC power is switched on or off. In addition, voltage transients on the AC power line may appear on the DC output. When this possibility exists, it is suggested that a clamp circuit be used.

6.2 Recommended Operating Conditions

PARAMETER	SYMBOL	MIN	MAX	UNITS	COMMENTS
Operating Temperature	T_A	0	70	°C	
3.3V supply voltage	V_{DD33} , V_{DDA33}	3.0	3.6	V	
Voltage on GPIO3 & USBDP/DM pins		-0.3	5.5	V	If any 3.3V supply voltage drops below 3.0V, then the MAX becomes: $(3.3V \text{ supply voltage}) + 0.5 \leq 5.5$
Voltage on any signal pin		-0.3	V_{DD33}	V	
Voltage on XTAL1		-0.3	V_{DDA33}	V	
Voltage on XTAL2		-0.3	V_{DD18}	V	

Table 6.1 DC Electrical Characteristics

PARAMETER	SYMBOL	MIN	TYP	MAX	UNITS	COMMENTS
I,IPU & IPD Type Input Buffer						
Low Input Level	V_{ILI}			0.8	V	TTL Levels
High Input Level	V_{IHI}	2.0			V	
Pull Down	PD		72		μA	
Pull Up	PU		58		μA	
IS Type Input Buffer						
Low Input Level	V_{ILI}			0.8	V	TTL Levels
High Input Level	V_{IHI}	2.0			V	
Hysteresis	V_{HYSI}		500		mV	
ICLK Input Buffer						
Low Input Level	V_{ILCK}			0.4	V	
High Input Level	V_{IHCK}	2.2			V	
Input Leakage (All I and IS buffers)						
Low Input Leakage	I_{IL}	-10		+10	μA	$V_{IN} = 0$
High Input Leakage	I_{IH}	-10		+10	mA	$V_{IN} = V_{DD33}$

Datasheet

PARAMETER	SYMBOL	MIN	TYP	MAX	UNITS	COMMENTS
O8, O8PU & O8PD Type Buffer						
Low Output Level	V_{OL}			0.4	V	$I_{OL} = 8 \text{ mA @ } V_{DD33} = 3.3\text{V}$
High Output Level	V_{OH}	$V_{DD33} - 0.4$			V	$I_{OH} = -8\text{mA @ } V_{DD33} = 3.3\text{V}$
Output Leakage	I_{OL}	-10		+10	μA	$V_{IN} = 0 \text{ to } V_{DD33}$ (Note 6.1)
Pull Down	PD		72		μA	
Pull Up	PU		58		μA	
I/O8, I/O8PU & I/O8PD Type Buffer						
Low Output Level	V_{OL}			0.4	V	$I_{OL} = 8 \text{ mA @ } V_{DD33} = 3.3\text{V}$
High Output Level	V_{OH}	$V_{DD33} - 0.4$			V	$I_{OH} = -8 \text{ mA @ } V_{DD33} = 3.3\text{V}$
Output Leakage	I_{OL}	-10		+10	μA	$V_{IN} = 0 \text{ to } V_{DD33}$ (Note 6.1)
Pull Down	PD		72		μA	
Pull Up	PU		58		μA	
IO-U (Note 6.2)						
Integrated Power FET for GPIO8 & GPIO10 (and GPIO11 when used with Firmware version -03 or older)						
Output Current	I_{OUT}	100			mA	GPIO8 or 10; $V_{dropFET} = 0.23\text{V}$
Short Circuit Current Limit	I_{SC}			140	mA	GPIO8 or 10; $V_{outFET} = 0\text{V}$
On Resistance	$R_{DS(ON)}$			2.1	Ω	GPIO8 or 10; $I_{FET} = 70\text{mA}$
Output Voltage Rise Time	t_{DSON}			800	μs	GPIO8 or 10; $C_{LOAD} = 10\mu\text{F}$

PARAMETER	SYMBOL	MIN	TYP	MAX	UNITS	COMMENTS
Integrated Power FET for GPIO11 (only when used with Firmware version -04 or later)						
Output Current	I_{OUT}	200			mA	GPIO11; $V_{dropFET} = 0.46V$
Short Circuit Current Limit	I_{SC}			181	mA	GPIO11; $V_{outFET} = 0V$
On Resistance	R_{DSON}			2.1	Ω	GPIO11; $I_{FET} = 70mA$
Output Voltage Rise Time	t_{DSON}			800	μs	GPIO11; $C_{LOAD} = 10\mu F$
Supply Current Unconfigured	I_{CCINIT}		55	80	mA	
Supply Current Active (Full Speed)	I_{CC}		75	90	mA	
Supply Current Active (High Speed)	I_{CC}		75	100	mA	
Supply Current Standby	I_{CSBY}		305	420	μA	

Note 6.1 Output leakage is measured with the current pins in high impedance.

Note 6.2 See Appendix A for USB DC electrical characteristics.

Note 6.3 The Maximum power dissipation parameters of the package should not be exceeded

Note 6.4 The assignment of each Integrated Card Power FET to a designated Card Connector is controlled by both firmware and the specific board implementation. Firmware will default to the settings listed in [Table 8.1, "GPIO Usage \(ROM Rev 0x00\)," on page 27.](#)

6.3 Capacitance

$T_A = 25^{\circ}C$; $f_c = 1MHz$; $V_{DD18}, V_{DD18PLL} = 1.8V$

PARAMETER	SYMBOL	LIMITS			UNIT	TEST CONDITION
		MIN	TYP	MAX		
Clock Input Capacitance	C_{IN}			20	pF	All pins except USB pins (and pins under test tied to AC ground)
Input Capacitance	C_{IN}			10	pF	
Output Capacitance	C_{OUT}			20	pF	

Datasheet

Chapter 7 Package Outlines

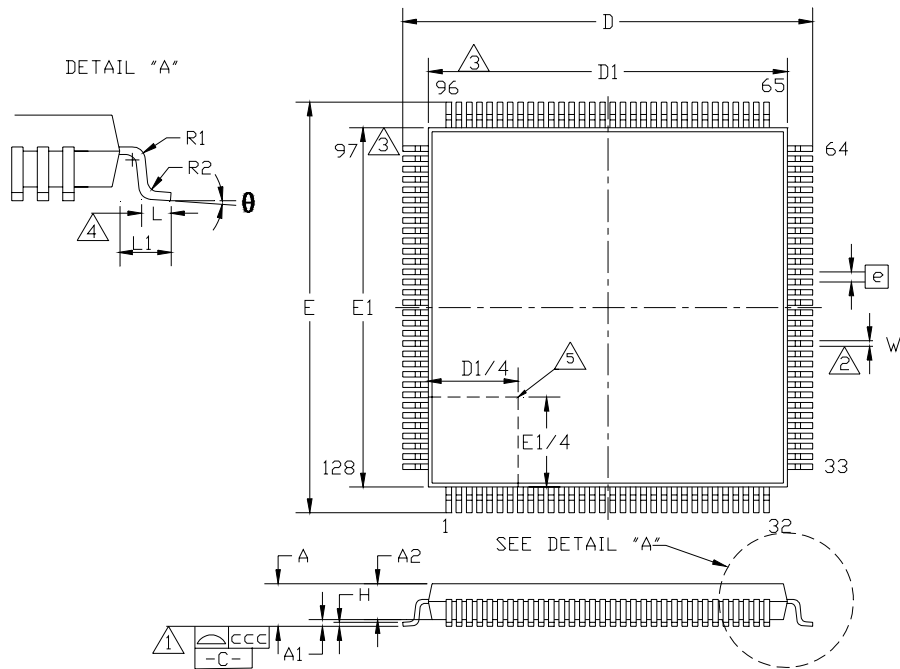


Figure 7.1 USB2227/USB2228 128-Pin VTQFP Package Outline

Table 7.1 USB2227/USB2228 128-Pin VTQFP Package Parameters

	MIN	NOMINAL	MAX	REMARKS
A	~	~	1.20	Overall Package Height
A1	0.05	~	0.15	Standoff
A2	0.95	~	1.05	Body Thickness
D	15.80	~	16.20	X Span
D1	13.80	~	14.20	X body Size
E	15.80	~	16.20	Y Span
E1	13.80	~	14.20	Y body Size
H	0.09	~	0.20	Lead Frame Thickness
L	0.45	0.60	0.75	Lead Foot Length
L1	~	1.00	~	Lead Length
e	0.40 Basic			Lead Pitch
q	0°	~	7°	Lead Foot Angle
W	0.13	0.18	0.23	Lead Width
R1	0.08	~	~	Lead Shoulder Radius
R2	0.08	~	0.20	Lead Foot Radius
ccc	~	~	0.08	Coplanarity

Notes:

- Controlling Unit: millimeter.
- Tolerance on the true position of the leads is ± 0.035 mm maximum.
Package body dimensions D1 and E1 do not include the mold protrusion.
- Maximum mold protrusion is 0.25 mm.
- Dimension for foot length L measured at the gauge plane 0.25 mm above the seating plane.
- Details of pin 1 identifier are optional but must be located within the zone indicated.

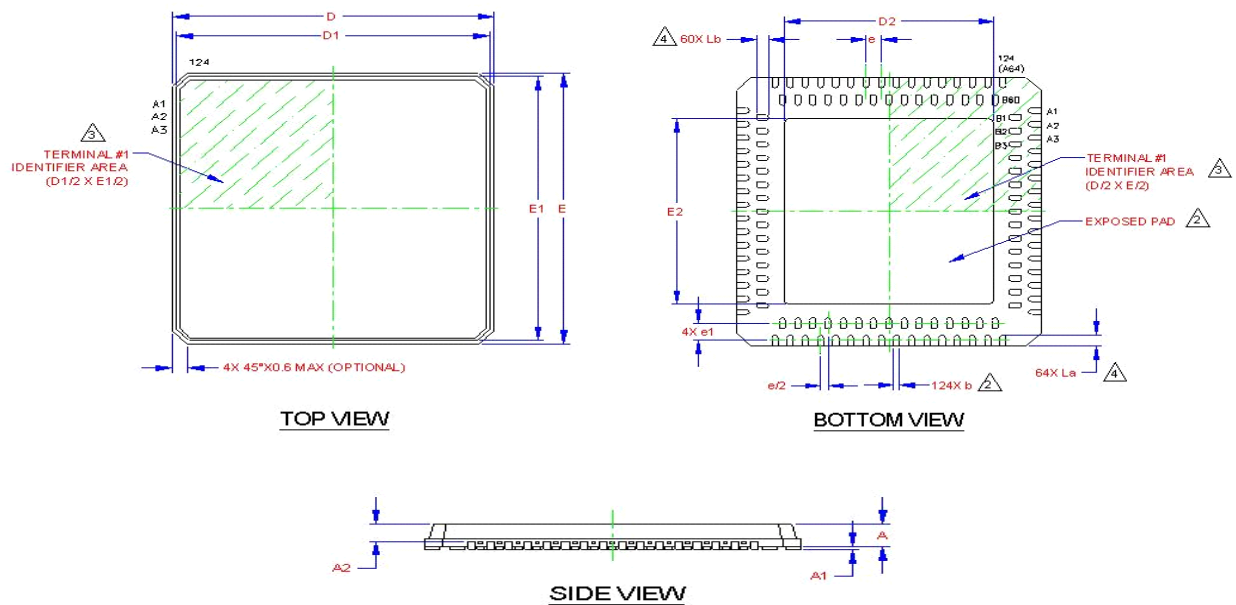


Figure 7.2 USB2227/USB2228 124-Pin DQFN Package Outline

Table 7.2 USB2227/USB2228 124-Pin DQFN Package Parameters

SYMBOL	MIN	NOM	MAX	NOTE	REMARK
A	~	0.80	0.85	~	OVERALL PKG HEIGHT
A1	0	0.01	0.05	~	STANDOFF
A2	~	0.65	0.70	~	MOLD THICKNESS
D/E	9.90	10.00	10.10	~	"X" / "Y" BODY SIZE
D1/E1	9.65	9.75	9.85	~	"X" / "Y" MOLD SIZE
D2/E2	SEE VARIATIONS			2	"X" / "Y" EXPOSED PAD SIZE
La	0.30	0.40	0.50	4	OUTER TERMINAL LENGTH
Lb	0.30	0.40	0.50	4	INNER TERMINAL LENGTH
b	0.18	~	0.22	2	TERMINAL WIDTH
e	0.50 BSC			~	TERMINAL PITCH
e1	0.65 BSC			~	OUTER-INNER ROW DISTANCE
D2 / E2 VARIATIONS					
	MIN	NOM	MAX	NOTE	CATALOG PART
	6.75	6.90	7.05	2	USB2228

Notes:

- All dimensions are in millimeter.
- Position tolerance of each terminal and exposed pad is $\pm 0.05\text{mm}$ at maximum material condition. Dimensions "b" applies to plated terminal and is measured between 0.20 and 0.25mm from the terminal tip.
- Details of terminal #1 identifier are optional but must be located within the area indicated.
- Rounded inner tips on terminals are optional.

Chapter 8 GPIO Usage

Table 8.1 GPIO Usage (ROM Rev 0x00)

NAME	ACTIVE LEVEL	SYMBOL	DESCRIPTION AND NOTE
GPIO1	H	Flash Media Activity LED/ xD_Door	Indicates media activity. Media or USB cable must not be removed with LED lit. Also may be used for xD Door functionality
GPIO2	H	EE_CS	Serial EE PROM chip select
GPIO3	H	V_BUS	USB V bus detect
GPIO4	H	EE_DIN/EE_DOUT/xDID	Serial EE PROM input/output and xD Identify
GPIO5	H	HS_IND/SD_CD	HS Indicator LED or SD Card Detect Switch input
GPIO6	H	A16/ROMEN	A16 address line connect for DFU or debug LED indicator optional.
GPIO7	H	EE_CLK/ UNCONF_LED	Serial EE PROM clock output or Unconfigured LED.
GPIO8	L	MS_PWR_CTRL/ CRD_PWR0	Memory Stick Card Power Control, or Internal Power FET0.
GPIO9	L	CF_PWR_CTRL	CompactFlash Card Power Control
GPIO10	L	SM_PWR_CTRL/ CRD_PWR1	SmartMedia Card Power Control, or Internal Power FET1.
GPIO11	L	SD/MMC_PWR_CTRL/ CRD_PWR2	SD/MMC Card Power Control, or Internal Power FET2.
GPIO12	H	MS_ACT_IND/ Media Activity	Memory Stick Activity Indicator, or Media Activity LED.
GPIO13	H	CF_ACT_IND	CompactFlash Activity Indicator
GPIO14	H	SM_ACT_IND	SmartMedia Activity Indicator
GPIO15	H	SD/MMC_ACT_IND	SD/MMC Activity Indicator