

DATA SHEET

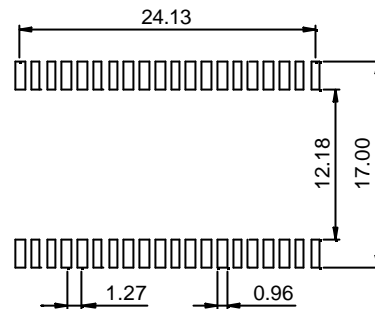
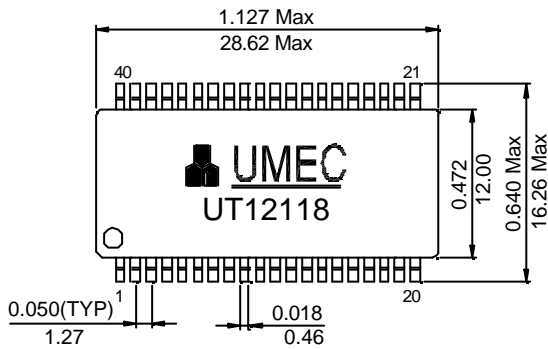
UM MODEL NO.: UT12118	SPECIFICATION				REV.	1/1
	FAST ETHERNET 10BASE-T/100BASE-TX TRANSFORMER MODULES				B5	05/31

ELECTRICAL SPECIFICATIONS @25⁰C :

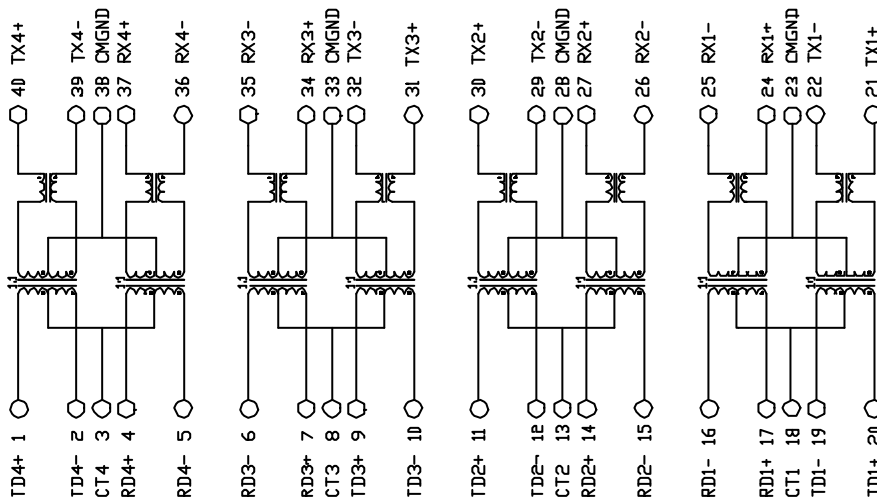
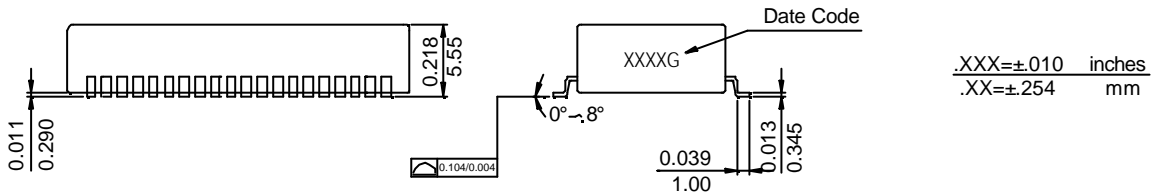
Inductance (uH MIN)	Turn Ratio	Insertion Loss (dB MAX)	Return Loss (dB MAX)				Crosstalk (dB MIN)				Diff. To Com. Mode Rej. (dB MIN)		Hi-pot (Vrms MIN)
I _{dc} =8mA	15.75Hz 1V	0.1-100MHz	2-30 MHz	40MHz	50MHz	60-80MHz	1KHz	30MHz	60MHz	100MHz	1-60 MHz	60-200MHz	LEAKAGE CURRENT 0.5mAmax.2 SEC.
350	1CT:1CT	-1.0	-18	-14.4	-13.1	-12	-55	-45	-40	-33	-37	-25	1500

Operating temperature is 0°C to 70°C.

DIMENSIONS & SCHEMATIC :



SUGGESTED PAD LAYOUT



- NOTE: 1. Packaging information-tape and reel according to item no. "SO40" of data sheet 01-00.
 2. For RoHS compliant products:
 a.) UMEC Ordering Code: **TG-UT12118**
 b.) Date Code suffix to "G" (xxxxG).
 c.) Solder: Sn/Ag/Cu.
 3. Specifications are subject to change without prior notice.

