



UT4NP03

Preliminary

Power MOSFET

DUAL ENHANCEMENT MODE (N-CHANNEL / P-CHANNEL)

DESCRIPTION

The UTC **UT4NP03** incorporates a N-channel MOSFET and a P-channel MOSFET, it uses UTC's advanced technology to provide customers a minimum on-state resistance, high switching speed, low gate charge and cost effectiveness.

The UTC **UT4NP03** is universally applied in low voltage applications.

FEATURES

*N-CHANNEL

$R_{DS(on)} \leq 45 \text{ m}\Omega @ V_{GS}=10V, I_D=2.0A$

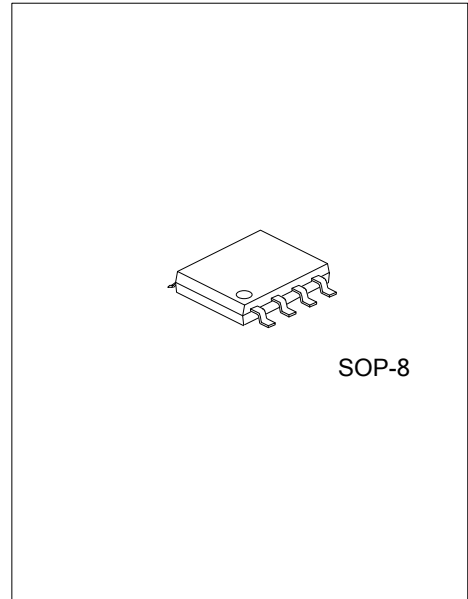
$R_{DS(on)} \leq 62 \text{ m}\Omega @ V_{GS}=4.5V, I_D=2.0A$

*P-CHANNEL

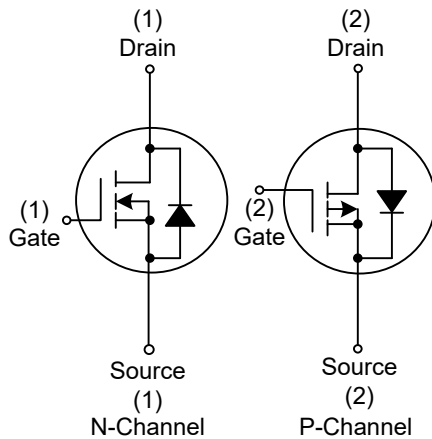
$R_{DS(on)} \leq 96 \text{ m}\Omega @ V_{GS}=-10V, I_D=-2.0A$

$R_{DS(on)} \leq 130 \text{ m}\Omega @ V_{GS}=-4.5V, I_D=-2.0A$

* High switching speed



SYMBOL



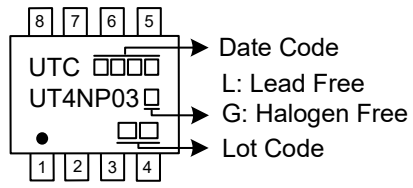
ORDERING INFORMATION

Ordering Number		Package	Pin Assignment								Packing
Lead Free	Halogen Free		1	2	3	4	5	6	7	8	
UT4NP03L-S08-R	UT4NP03G-S08-R	SOP-8	S1	G1	S2	G2	D2	D2	D1	D1	Tape Reel

Note: Pin Assignment: G: Gate D: Drain S: Source

UT4NP03G-S08-R	(1)Packing Type	(1) R: Tape Reel
	(2)Package Type	(2) S08: SOP-8
	(3)Green Package	(3) G: Halogen Free and Lead Free, L: Lead Free

■ MARKING



■ ABSOLUTE MAXIMUM RATINGS ($T_C=25^\circ\text{C}$, unless otherwise specified)

PARAMETER	SYMBOL	RATINGS		UNIT	
		N-CH	P-CH		
Drain-Source Voltage	V_{DSS}	30	-30	V	
Gate-Source Voltage	V_{GSS}	± 20	± 20	V	
Drain Current	Continuous $T_C=25^\circ\text{C}$	I_D	4	-4	A
	Pulsed	I_{DM}	8	-8	A
Power Dissipation ($T_A=25^\circ\text{C}$)	P_D	0.8		W	
Junction Temperature	T_J	+150		$^\circ\text{C}$	
Range of Storage Temperature	T_{STG}	-55 ~ +150		$^\circ\text{C}$	

Notes: 1. Absolute maximum ratings are those values beyond which the device could be permanently damaged.

Absolute maximum ratings are stress ratings only and functional device operation is not implied.

2. Repetitive Rating : Pulse width limited by maximum junction temperature.

■ THERMAL DATA

PARAMETER	SYMBOL	RATINGS	UNIT
Junction to Ambient	θ_{JA}	156	$^\circ\text{C/W}$

Note: Device mounted on FR-4 substrate PC board, 2oz copper, with 1inch square copper plate.

■ ELECTRICAL CHARACTERISTICS ($T_J=25^\circ\text{C}$, unless otherwise specified)

N-Channel

PARAMETER	SYMBOL	TEST CONDITIONS	MIN	TYP	MAX	UNIT
OFF CHARACTERISTICS						
Drain-Source Breakdown Voltage	BV_{DSS}	$I_D=250\mu\text{A}, V_{GS}=0\text{V}$	30			V
Drain-Source Leakage Current	I_{DSS}	$V_{DS}=30\text{V}, V_{GS}=0\text{V}, T_J=25^\circ\text{C}$			1	μA
Gate-Source Leakage Current	I_{GSS}	Forward $V_{GS}=+20\text{V}$			+100	nA
		Reverse $V_{GS}=-20\text{V}$			-100	nA
ON CHARACTERISTICS						
Gate Threshold Voltage	$V_{GS(TH)}$	$V_{DS}=V_{GS}, I_D=250\mu\text{A}$	1.0		3.0	V
Static Drain-Source On-State Resistance (Note)	$R_{DS(ON)}$	$V_{GS}=10\text{V}, I_D=2.0\text{A}$			45	m Ω
		$V_{GS}=4.5\text{V}, I_D=2.0\text{A}$			62	m Ω
DYNAMIC PARAMETERS						
Input Capacitance	C_{ISS}	$V_{GS}=0\text{V}, V_{DS}=25\text{V}, f=1.0\text{MHz}$		160		pF
Output Capacitance	C_{OSS}			40		pF
Reverse Transfer Capacitance	C_{RSS}			32		pF
SWITCHING PARAMETERS						
Total Gate Charge (Note)	Q_G	$V_{GS}=24\text{V}, V_{DS}=10\text{V}, I_D=4.0\text{A}, I_G=1\text{mA}$		10		nC
Gate to Source Charge	Q_{GS}			3		nC
Gate to Drain Charge	Q_{GD}			2		nC
Turn-ON Delay Time (Note)	$t_{D(ON)}$	$V_{DD}=20\text{V}, V_{GS}=10\text{V}, I_D=4.0\text{A}, R_G=3\Omega$		4		ns
Rise Time	t_R			14		ns
Turn-OFF Delay Time	$t_{D(OFF)}$			15		ns
Fall-Time	t_F			28		ns
SOURCE- DRAIN DIODE RATINGS AND CHARACTERISTICS						
Maximum Continuous Drain-Source Diode Forward Current	I_S				4	A
Maximum Pulsed Drain-Source Diode Forward Current	I_{SM}				8	A
Drain-Source Diode Forward Voltage (Note)	V_{SD}	$I_S=4.0\text{A}, V_{GS}=0\text{V}$			1.4	V

■ ELECTRICAL CHARACTERISTICS (Cont.)

P-Channel

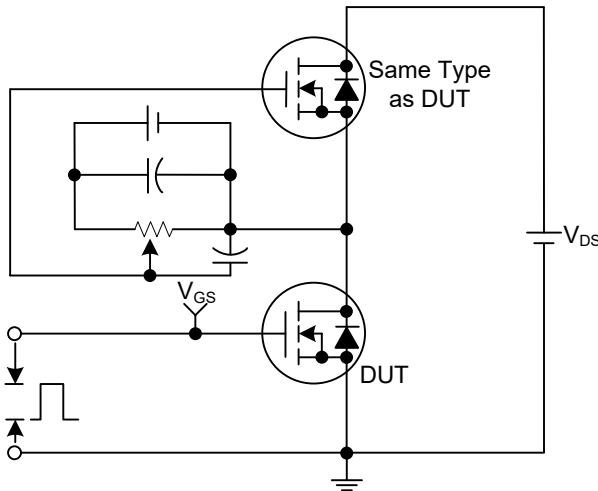
PARAMETER	SYMBOL	TEST CONDITIONS	MIN	TYP	MAX	UNIT
OFF CHARACTERISTICS						
Drain-Source Breakdown Voltage	BV_{DSS}	$I_D=-250\mu A, V_{GS}=0V$	-30			V
Drain-Source Leakage Current	I_{DSS}	$V_{DS}=-30V, V_{GS}=0V, T_J=25^\circ C$			-1	μA
Gate-Source Leakage Current	Forward	I_{GSS}			+100	nA
	Reverse				-100	nA
ON CHARACTERISTICS						
Gate Threshold Voltage	$V_{GS(TH)}$	$V_{DS}=V_{GS}, I_D=-250\mu A$	-1.0		-3.0	V
Static Drain-Source On-State Resistance (Note)	$R_{DS(ON)}$	$V_{GS}=-10V, I_D=-2.0A$			96	m Ω
		$V_{GS}=-4.5V, I_D=-2.0A$			130	m Ω
DYNAMIC PARAMETERS						
Input Capacitance	C_{ISS}	$V_{GS}=0V, V_{DS}=-25V, f=1.0MHz$		560		pF
Output Capacitance	C_{OSS}			340		pF
Reverse Transfer Capacitance	C_{RSS}			275		pF
SWITCHING PARAMETERS						
Total Gate Charge (Note)	Q_G	$V_{DS}=-24V, V_{GS}=-10V, I_D=-4.0A, I_G=-1mA$		14		nC
Gate to Source Charge	Q_{GS}			3		nC
Gate to Drain Charge	Q_{GD}			2.5		nC
Turn-ON Delay Time (Note)	$t_{D(ON)}$	$V_{DD}=-20V, V_{GS}=-10V, I_D=-4.0A, R_G=3\Omega$		4		ns
Rise Time	t_R			16		ns
Turn-OFF Delay Time	$t_{D(OFF)}$			15		ns
Fall-Time	t_F			20		ns
SOURCE- DRAIN DIODE RATINGS AND CHARACTERISTICS						
Maximum Continuous Drain-Source Diode Forward Current	I_S				-4	A
Maximum Pulsed Drain-Source Diode Forward Current	I_{SM}				-8	A
Drain-Source Diode Forward Voltage (Note)	V_{SD}	$I_S=-4.0A, V_{GS}=0V$			-2.5	V

Notes: 1. Pulse Test: Pulse width $\leq 300\mu s$, Duty cycle $\leq 2\%$.

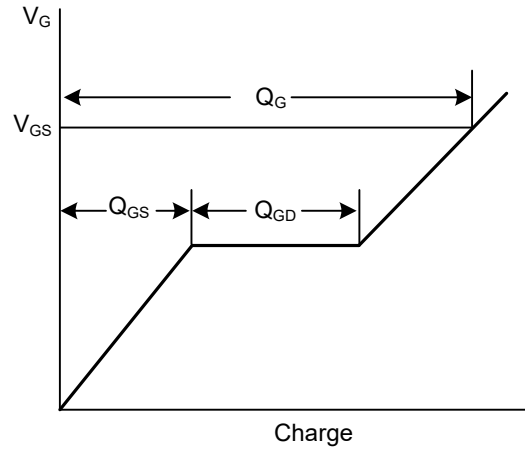
2. Essentially independent of operating temperature.

TEST CIRCUITS AND WAVEFORMS

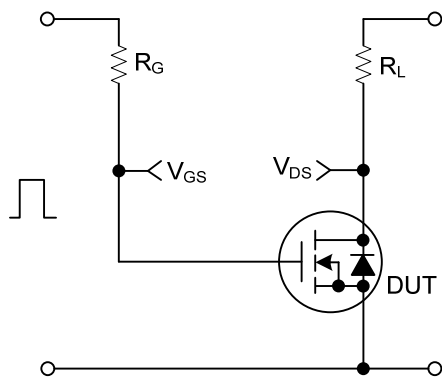
N-CHANNEL



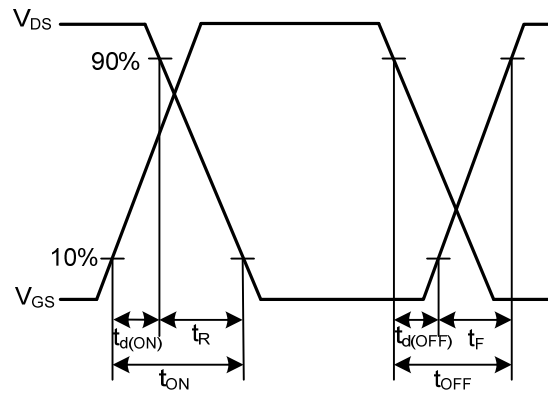
Gate Charge Test Circuit



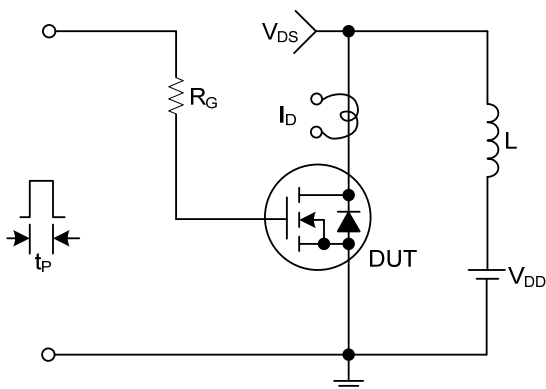
Gate Charge Waveforms



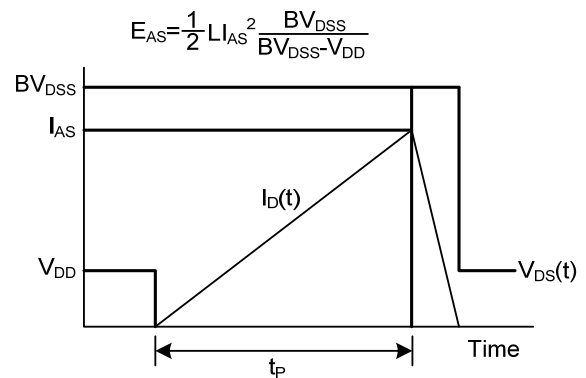
Resistive Switching Test Circuit



Resistive Switching Waveforms



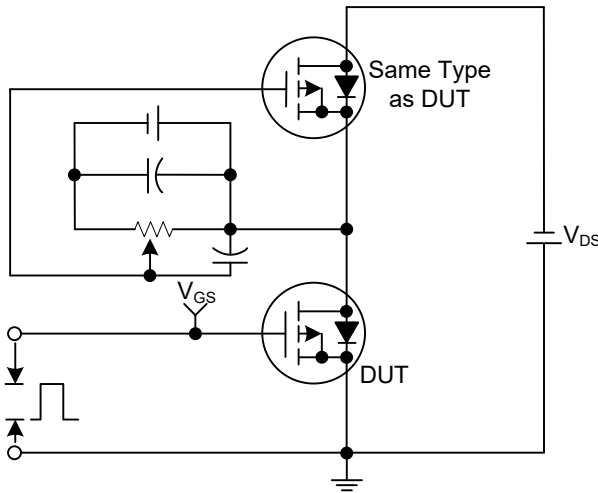
Unclamped Inductive Switching Test Circuit



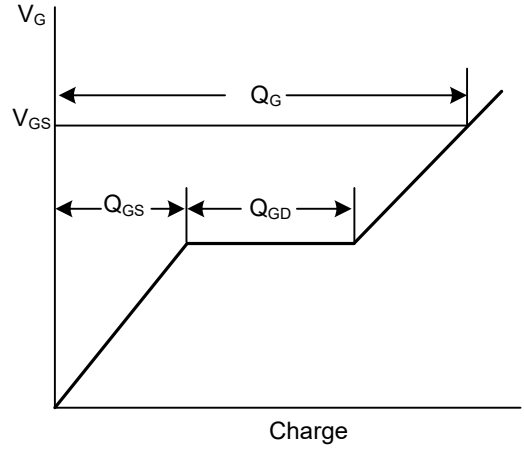
Unclamped Inductive Switching Waveforms

■ TEST CIRCUITS AND WAVEFORMS

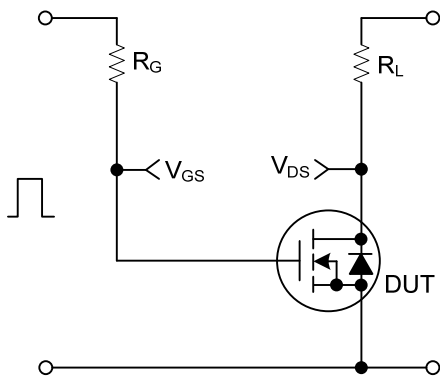
P-CHANNEL



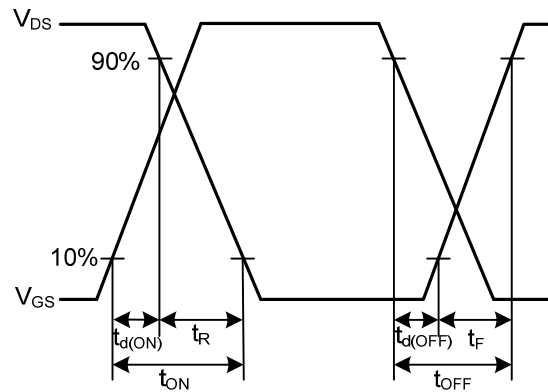
Gate Charge Test Circuit



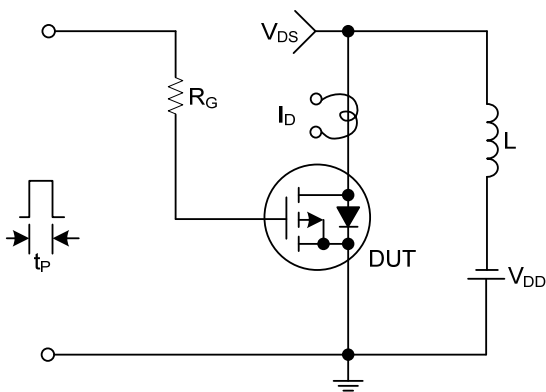
Gate Charge Waveforms



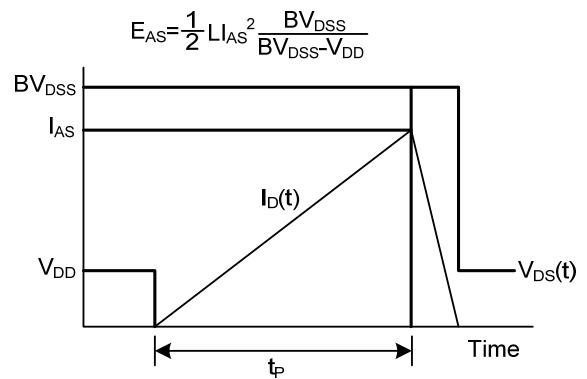
Resistive Switching Test Circuit



Resistive Switching Waveforms



Unclamped Inductive Switching Test Circuit



Unclamped Inductive Switching Waveforms

UTC assumes no responsibility for equipment failures that result from using products at values that exceed, even momentarily, rated values (such as maximum ratings, operating condition ranges, or other parameters) listed in products specifications of any and all UTC products described or contained herein. UTC products are not designed for use in life support appliances, devices or systems where malfunction of these products can be reasonably expected to result in personal injury. Reproduction in whole or in part is prohibited without the prior written consent of the copyright owner. UTC reserves the right to make changes to information published in this document, including without limitation specifications and product descriptions, at any time and without notice. This document supersedes and replaces all information supplied prior to the publication hereof.