

UT54ACS164245S

RadHard Schmitt CMOS 16-bit Bidirectional MultiPurpose Transceiver

Datasheet



April, 2002

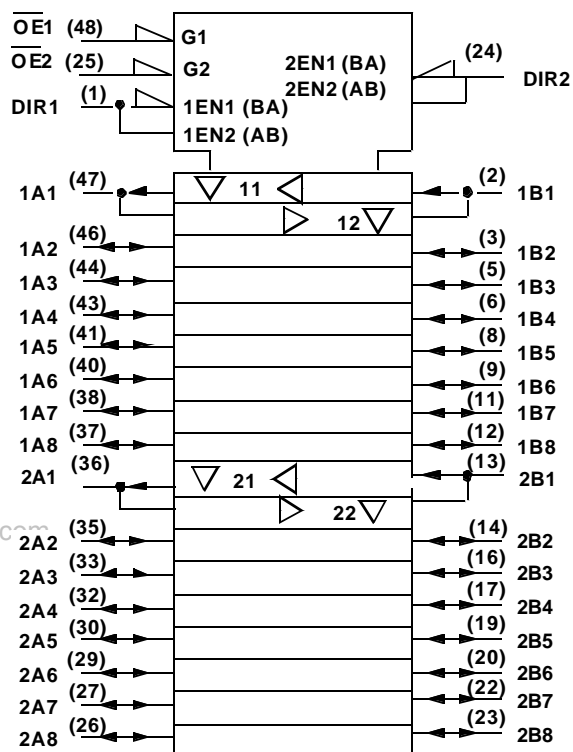
FEATURES

- Voltage translation
 - 5V bus to 3.3V bus
 - 3.3V bus to 5V bus
- Cold sparing
 - 1M Ω minimum input impedance power-off
- 0.6 μ m Commercial RadHardTM CMOS
 - Total dose: 100K rad(Si)
 - Single Event Latchup immune
- High speed, low power consumption
- Schmitt trigger inputs to filter noisy signals
- Available QML Q or V processes
- Standard Microcircuit Drawing 5962-98580
- Package:
 - 48-lead flatpack, 25 mil pitch (.390 x .640)

DESCRIPTION

The 16-bit wide UT54ACS164245S MultiPurpose transceiver is built using UTMC's Commercial RadHardTM epitaxial CMOS technology and is ideal for space applications. This high speed, low power UT54ACS164245S transceiver is designed to perform multiple functions including: asynchronous two-way communication, signal buffering, voltage translation, and cold sparing. With V_{DD} equal to zero volts, the UT54ACS164245S outputs and inputs present a minimum impedance of 1M Ω making it ideal for "cold spare" applications. Balanced outputs and low "on" output impedance make the UT54ACS164245S well suited for driving high capacitance loads and low impedance backplanes. The UT54ACS164245S enables system designers to interface 3.3 volt CMOS compatible components with 5 volt CMOS components. For voltage translation, the A port interfaces with the 3.3 volt bus; the B port interfaces with the 5 volt bus. The direction control (DIR_x) controls the direction of data flow. The output enable (\overline{OE}_x) overrides the direction control and disables both ports. These signals can be driven from either port A or B. The direction and output enable controls operate these devices as either two independent 8-bit transceivers or one 16-bit transceiver.

LOGIC SYMBOL



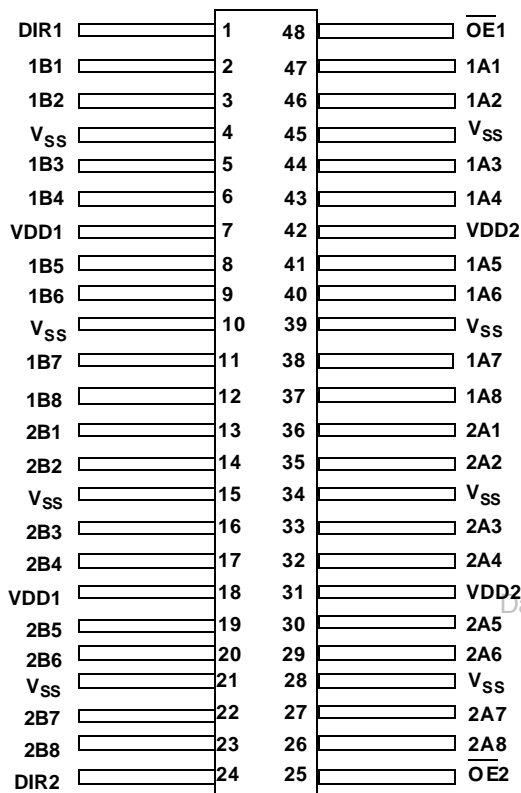
PIN DESCRIPTION

Pin Names	Description
\overline{OE}_x	Output Enable Input (Active Low)
DIR_x	Direction Control Inputs
xAx	Side A Inputs or 3-State Outputs (3.3V Port)
xBx	Side B Inputs or 3-State Outputs (5V Port)

FUNCTION TABLE

ENABLE \overline{OE}_x	DIRECTION DIR_x	OPERATION
L	L	B Data To A Bus
L	H	A Data To B Bus
H	X	Isolation

PINOUTS

48-Lead Flatpack
Top ViewPOWER TABLE¹

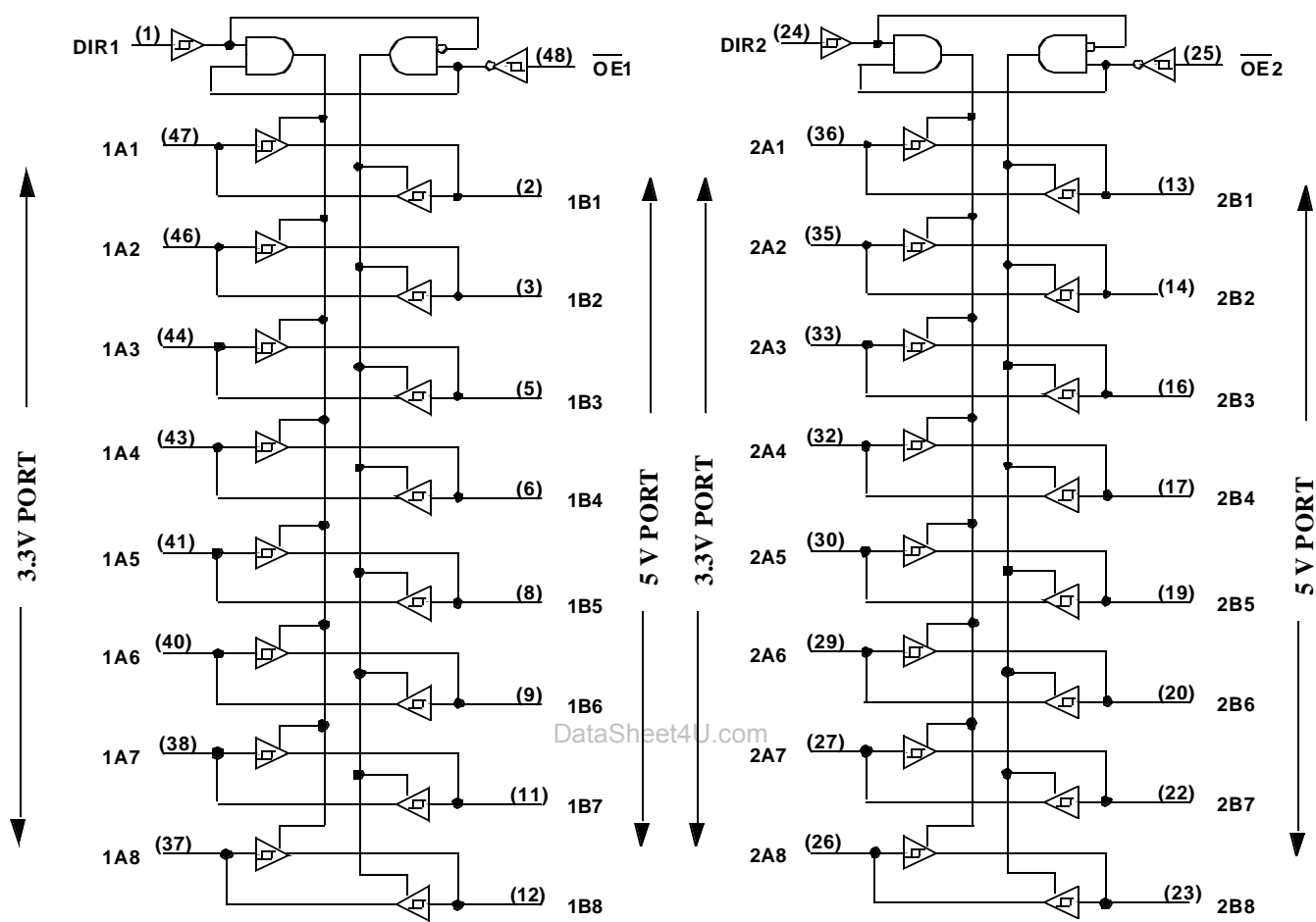
Port B	Port A	OPERATION
5 Volts	3.3 Volts	Voltage Translator
5 Volts	5 Volts	Non Translating
3.3 Volts	3.3 Volts	Non Translating
V _{SS}	V _{SS}	Cold Spare
V _{SS}	3.3V or 5V	Port B Cold Spare

NOTE:

1. V_{DD2} cannot be tied to V_{SS} while power is applied to V_{DD1}.

Control signals DIRx and $\overline{\text{OEx}}$ are 5 volt tolerant inputs. When V_{DD2} is at 3.3 volts, either 3.3 or 5 volt CMOS logic levels can be applied to all control inputs. For proper operation connect power to all V_{DD} and ground all V_{SS} pins (i.e., no floating V_{DD} or V_{SS} input pins). Tie unused inputs to V_{SS}. If V_{DD1} and V_{DD2} are not powered up together, then V_{DD2} should be powered up first for proper control of OE and DIR. Until V_{DD2} reaches 2.75V ± 5%, control of the outputs by OE and DIR cannot be guaranteed. During operation of the part, after power up, insure V_{DD1} ≥ V_{DD2}. Tie unused inputs to V_{SS}.

LOGIC DIAGRAM



et4U.com

DataSheet4U.com

DataShee

RADIATION HARDNESS SPECIFICATIONS¹

PARAMETER	LIMIT	UNITS
Total Dose	1.0E5	rad(Si)
SEL Latchup	>120	MeV-cm ² /mg
Neutron Fluence ²	1.0E14	n/cm ²

Notes:

1. Logic will not latchup during radiation exposure within the limits defined in the table.
2. Not tested, inherent of CMOS technology.

ABSOLUTE MAXIMUM RATINGS¹

SYMBOL	PARAMETER	LIMIT (Mil only)	UNITS
V _{IO}	Voltage any pin	-3 to V _{DD1} +.3	V
V _{DD1}	Supply voltage	-0.3 to 6.0	V
V _{DD2}	Supply voltage	-0.3 to 6.0	V
T _{STG}	Storage Temperature range	-65 to +150	°C
T _J	Maximum junction temperature	+175	°C
Θ _{JC}	Thermal resistance junction to case	20	°C/W
I _I	DC input current	±10	mA
P _D	Maximum power dissipation	1	W

Note:

1. Stresses outside the listed absolute maximum ratings may cause permanent damage to the device. This is a stress rating only, functional operation of the device at these or any other conditions beyond limits indicated in the operational sections is not recommended. Exposure to absolute maximum rating conditions for extended periods may affect device reliability and performance.

DUAL SUPPLY OPERATING CONDITIONS

SYMBOL	PARAMETER	LIMIT	UNITS
V _{DD1}	Supply voltage	3.0 to 3.6 or 4.5 to 5.5	V
V _{DD2}	Supply voltage	3.0 to 3.6 or 4.5 to 5.5	V
V _{IN}	Input voltage any pin	0 to V _{DD1}	V
T _C	Temperature range	-55 to + 125	°C

DC ELECTRICAL CHARACTERISTICS¹(-55°C < T_C < +125°C) (T_C = -55°C to +125°C for "C" screening and -40°C to +125°C for "W" screening)

SYMBOL	PARAMETER	CONDITION	MIN	MAX	UNIT
V _{T+}	Schmitt Trigger, positive going threshold ²	V _{DD} from 3.00 to 5.5		.7V _{DD}	V
V _{T-}	Schmitt Trigger, negative going threshold ²	V _{DD} from 3.00 to 5.5	.3V _{DD}		V
V _{H1}	Schmitt Trigger range of hysteresis ¹⁰	V _{DD} from 4.5 to 5.5	0.6		V
V _{H2}	Schmitt Trigger range of hysteresis ¹⁰	V _{DD} from 3.00 to 3.6	0.4		V
I _{IN}	Input leakage current ¹⁰	V _{DD} from 3.6 to 5.5 V _{IN} = V _{DD} or V _{SS}	-1	3	μA
I _{OZ}	Three-state output leakage current ¹⁰	V _{DD} from 3.6 to 5.5 V _{IN} = V _{DD} or V _{SS}	-1	3	μA
I _{CS}	Cold sparing leakage current ³	V _{IN} = 5.5 V _{DD} = V _{SS}	-1	5	μA
I _{OS1}	Short-circuit output current ^{6, 11}	V _O = V _{DD} or V _{SS} V _{DD} from 4.5 to 5.5	-200	200	mA
I _{OS2}	Short-circuit output current ^{6, 11}	V _O = V _{DD} or V _{SS} V _{DD} from 3.00 to 3.6	-100	100	mA
V _{OL1}	Low-level output voltage ^{4, 10}	I _{OL} = 8mA I _{OL} = 100μA V _{DD} = 4.5		0.4 0.2	V
V _{OL2}	Low-level output voltage ^{4, 10}	I _{OL} = 8mA I _{OL} = 100μA V _{DD} = 3.00		0.5 0.2	V
V _{OH1}	High-level output voltage ^{4, 10}	I _{OH} = -8mA I _{OH} = -100μA V _{DD} = 4.5	V _{DD} - 0.7 V _{DD} - 0.2		V
V _{OH2}	High-level output voltage ^{4, 10}	I _{OH} = -8mA I _{OH} = -100μA V _{DD} = 3.00	V _{DD} - 0.9 V _{DD} - 0.2		V

P_{total1}	Power dissipation ^{5,7,8}	$C_L = 50\text{pF}$ V_{DD} from 4.5 to 5.5		2.0	mW/ MHz
P_{total2}	Power dissipation ^{5,7,8}	$C_L = 50\text{pF}$ V_{DD} from 3.00 to 3.6		1.5	mW/ MHz
I_{DD}	Standby Supply Current V_{DD1} or V_{DD2} Pre-Rad 25°C Pre-Rad -55°C to +125°C Post-Rad 25°C	$V_{IN} = V_{DD}$ or V_{SS} $V_{DD} = 5.5$ $\overline{OE} = V_{DD}$ $\overline{OE} = V_{DD}$ $\overline{OE} = V_{DD}$		10 100 500	μA μA μA
C_{IN}	Input capacitance ⁹	$f = 1\text{MHz @ } 0\text{V}$ V_{DD} from 3.00 to 5.5		15	pF
C_{OUT}	Output capacitance ⁹	$f = 1\text{MHz @ } 0\text{V}$ V_{DD} from 3.00 to 5.5		15	pF

Notes:

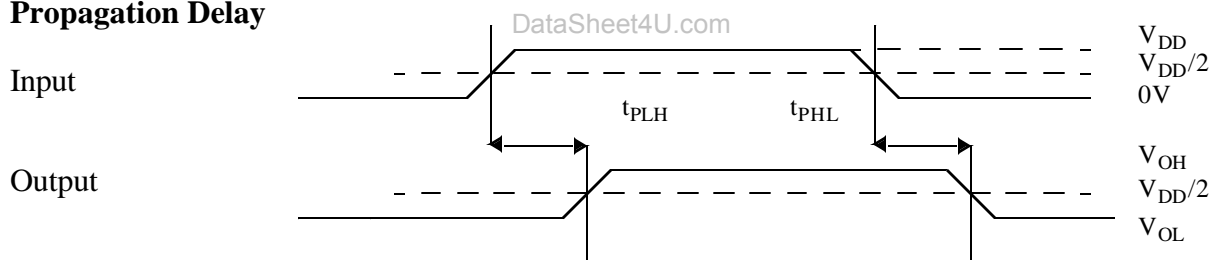
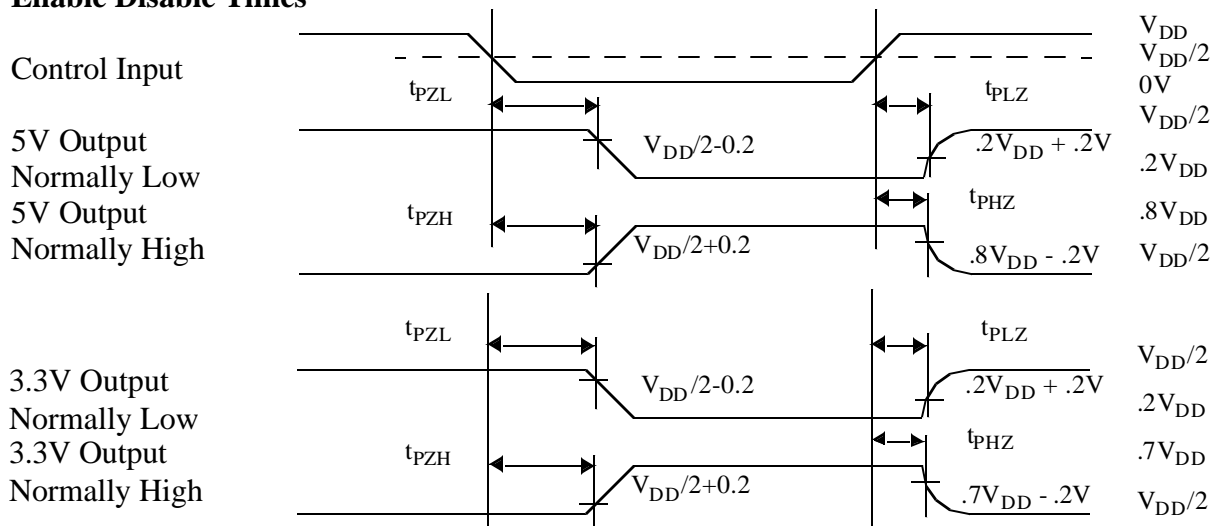
- All specifications valid for radiation dose $\leq 1\text{E}5$ rad(Si) per MIL-STD-883, Method 1019.
- Functional tests are conducted in accordance with MIL-STD-883 with the following input test conditions: $V_{IH} = V_{IH}(\text{min}) + 20\%$, $- 0\%$; $V_{IL} = V_{IL}(\text{max}) + 0\%$, $- 50\%$, as specified herein, for TTL, CMOS, or Schmitt compatible inputs. Devices may be tested using any input voltage within the above specified range, but are guaranteed to $V_{IH}(\text{min})$ and $V_{IL}(\text{max})$.
- All combinations of OEx and DIRx
- Per MIL-PRF-38535, for current density $\leq 5.0\text{E}5$ amps/cm², the maximum product of load capacitance (per output buffer) times frequency should not exceed 3,765 pF-MHz.
- Guaranteed by characterization.
- Not more than one output may be shorted at a time for maximum duration of one second.
- Power does not include power contribution of any CMOS output sink current.
- Power dissipation specified per switching output.
- Capacitance measured for initial qualification and when design changes may affect the value. Capacitance is measured between the designated terminal and V_{SS} at frequency of 1MHz and a signal amplitude of 50mV rms maximum.
- Guaranteed; tested on a sample of pins per device.
- Supplied as a design limit, but not guaranteed or tested.

AC ELECTRICAL CHARACTERISTICS¹ (Port B = 5 Volt, Port A = 3.3 Volt)(V_{DD1} = 5V ±10%; V_{DD2} = 3.00V to 3.6V, -55°C < T_C < +125°C) (T_C = -55°C to +125°C for "C" screening and -40°C to +125°C for "W" screening)

SYMBOL	PARAMETER	MINIMUM	MAXIMUM	UNIT
t _{PLH}	Propagation delay Data to Bus	1	20	ns
t _{PHL}	Propagation delay Data to Bus	1	20	ns
t _{PZL}	Output enable time $\overline{\text{OEx}}$ to Bus	1	18	ns
t _{PZH}	Output enable time $\overline{\text{OEx}}$ to Bus	1	18	ns
t _{PLZ}	Output disable time $\overline{\text{OEx}}$ to Bus high impedance	1	20	ns
t _{PHZ}	Output disable time $\overline{\text{OEx}}$ to Bus high impedance	1	20	ns
t _{PZL} ²	Output enable time DIRx to Bus	1	18	ns
t _{PZH} ²	Output enable time DIRx to Bus	1	18	ns
t _{PLZ} ²	Output disable time DIRx to Bus high impedance	1	20	ns
t _{PHZ} ²	Output disable time DIRx to Bus high impedance	1	20	ns

Notes:

- All specifications valid for radiation dose ≤ 1E5 rad(Si) per MIL-STD-883, Method 1019.
- DIRx to bus times are guaranteed by design, but not tested. OEx to bus times are tested.

Propagation Delay**Enable Disable Times**

et4U.com

DataShee

DataSheet4U.com

DataSheet4U.com

www.DataSheet4U.com

AC ELECTRICAL CHARACTERISTICS¹ (Port A = Port B, 5 Volt Operation)(V_{DD1} = 5V ±10%; V_{DD2} = 5.0V ±10%, -55°C < T_C < +125°C)

SYMBOL	PARAMETER	MINIMUM	MAXIMUM	UNIT
t _{PLH}	Propagation delay Data to Bus	1	15	ns
t _{PHL}	Propagation delay Data to Bus	1	15	ns
t _{PZL}	Output enable time $\overline{\text{OEx}}$ to Bus	1	12	ns
t _{PZH}	Output enable time $\overline{\text{OEx}}$ to Bus	1	12	ns
t _{PLZ}	Output disable time $\overline{\text{OEx}}$ to Bus high impedance	1	15	ns
t _{PHZ}	Output disable time $\overline{\text{OEx}}$ to Bus high impedance	1	15	ns
t _{PZL} ²	Output enable time DIRx to Bus	1	12	ns
t _{PZH} ²	Output enable time DIRx to Bus	1	12	ns
t _{PLZ} ²	Output disable time DIRx to Bus high impedance	1	15	ns
t _{PHZ} ²	Output disable time DIRx to Bus high impedance	1	15	ns

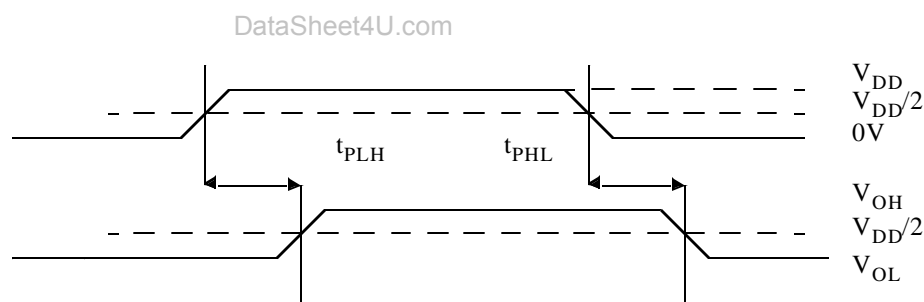
Notes:

- All specifications valid for radiation dose ≤ 1E5 rad(Si) per MIL-STD-883, Method 1019.
- DIRx to bus times are guaranteed by design, but not tested. OEx to bus times are tested

Propagation Delay

Input

Output

**Enable Disable Times**

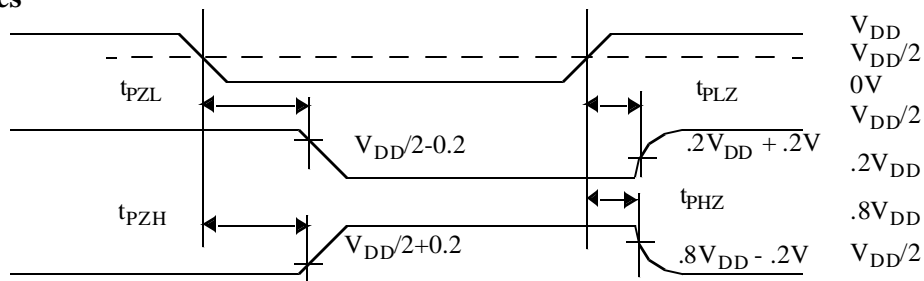
Control Input

5V Output

Normally Low

5V Output

Normally High



AC ELECTRICAL CHARACTERISTICS¹ (Port A = Port B, 3.3 Volt Operation)(V_{DD1} = 3.00V to 3.6V; V_{DD2} = 3.00V to 3.6V, -55°C < T_C < +125°C)

SYMBOL	PARAMETER	MINIMUM	MAXIMUM	UNIT
t _{PLH}	Propagation delay Data to Bus	1	20	ns
t _{PHL}	Propagation delay Data to Bus	1	20	ns
t _{PZL}	Output enable time $\overline{\text{OEx}}$ to Bus	1	18	ns
t _{PZH}	Output enable time $\overline{\text{OEx}}$ to Bus	1	18	ns
t _{PLZ}	Output disable time $\overline{\text{OEx}}$ to Bus high impedance	1	20	ns
t _{PHZ}	Output disable time $\overline{\text{OEx}}$ to Bus high impedance	1	20	ns
t _{PZL} ²	Output enable time DIRx to Bus	1	18	ns
t _{PZH} ²	Output enable time DIRx to Bus	1	18	ns
t _{PLZ} ²	Output disable time DIRx to Bus high impedance	1	20	ns
t _{PHZ} ²	Output disable time DIRx to Bus high impedance	1	20	ns

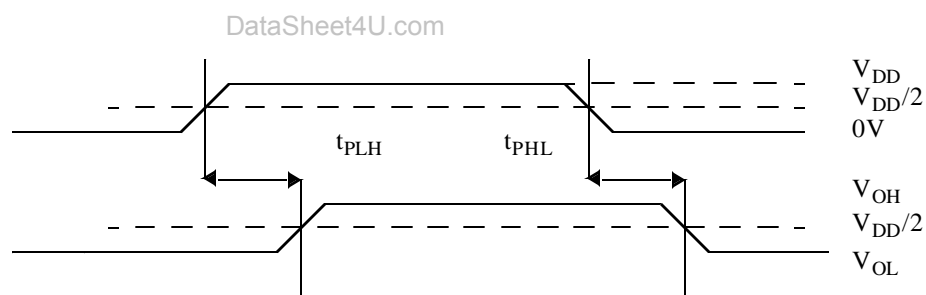
Notes:

- All specifications valid for radiation dose ≤ 1E5 rad(Si) per MIL-STD-883, Method 1019.
- DIRx to bus times are guaranteed by design, but not tested. OEx to bus times are tested.

Propagation Delay

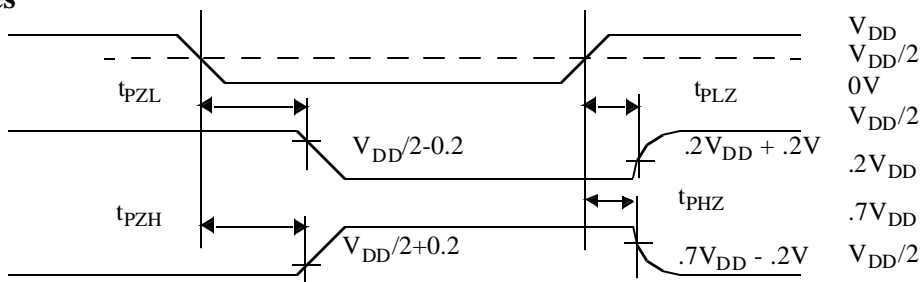
Input

Output

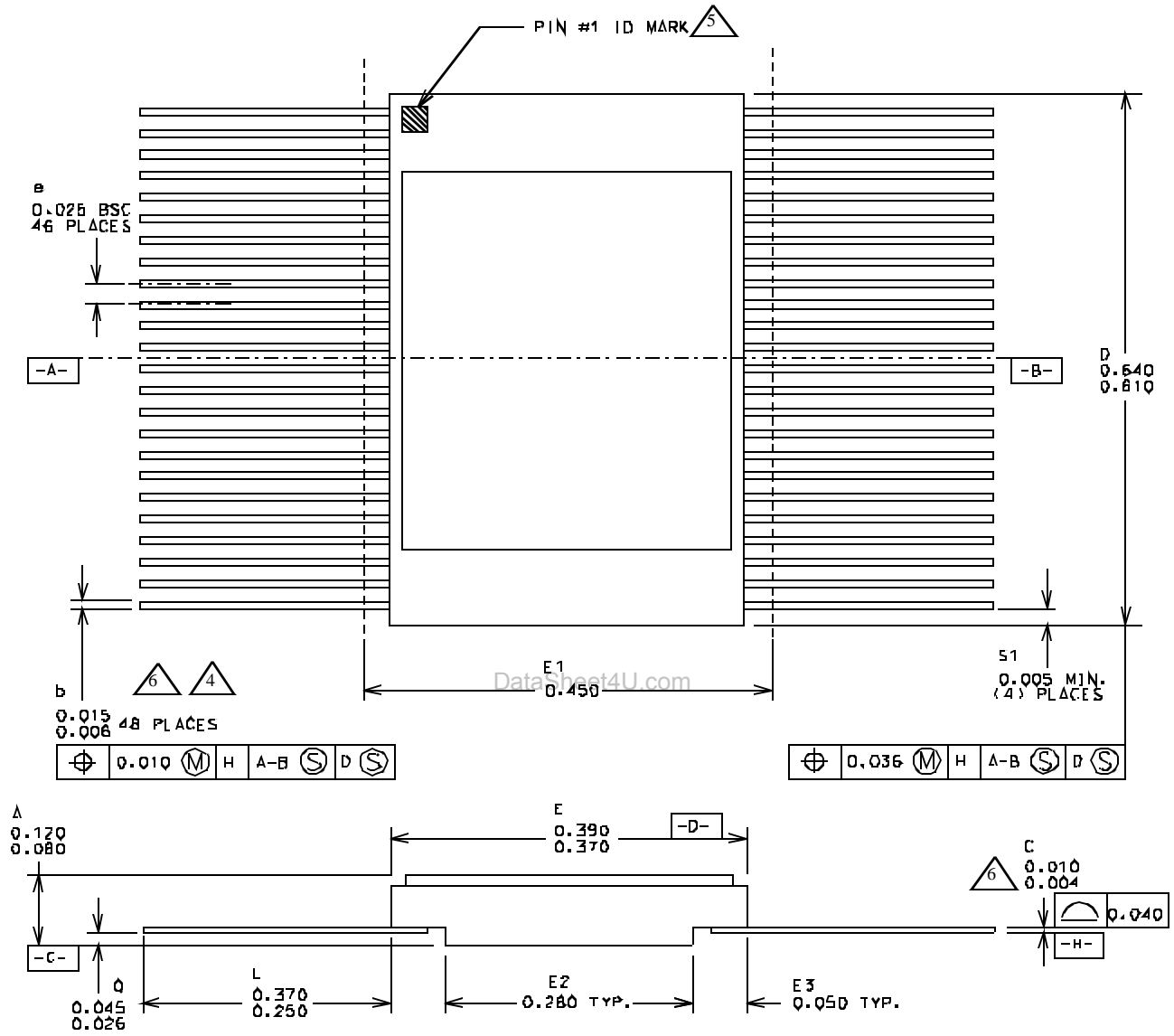
**Enable Disable Times**

Control Input

3.3V Output
Normally Low
3.3V Output
Normally High



PACKAGE

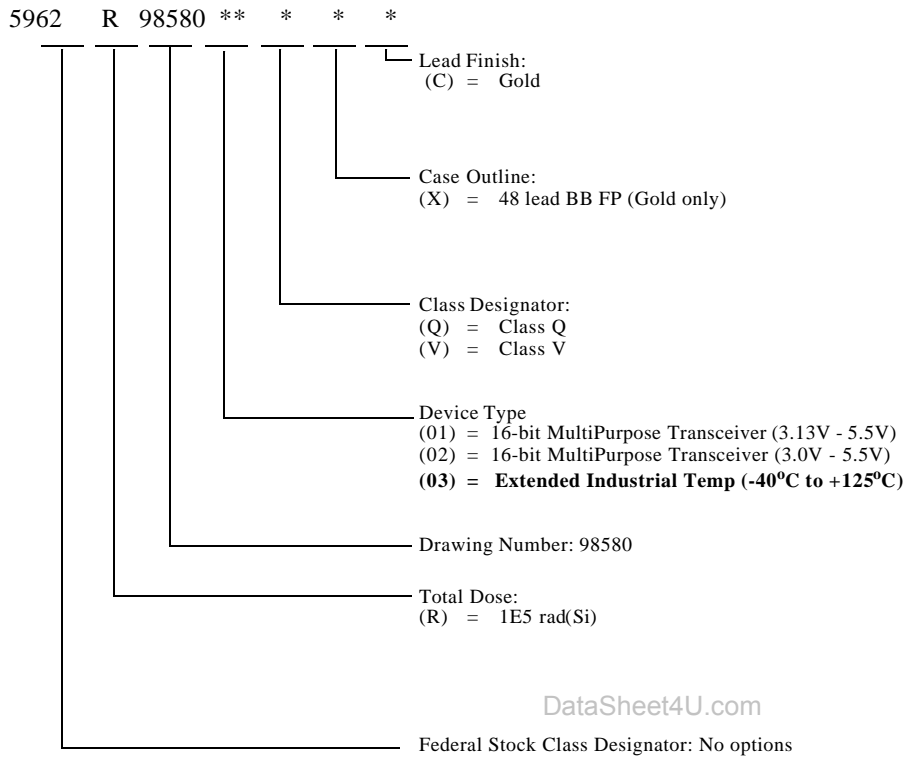


1. All exposed metallized areas are gold plated over electroplated nickel per MIL-PRF-38535.
2. The lid is electrically connected to VSS.
3. Lead finishes are in accordance with MIL-PRF-38535.
4. Lead position and colanarity are not measured.
5. ID mark symbol is vendor option.
6. With solder, increase maximum by 0.003.

Figure 1. 48-Lead Flatpack

ORDERING INFORMATION

UT54ACS164245S: SMD



Notes:

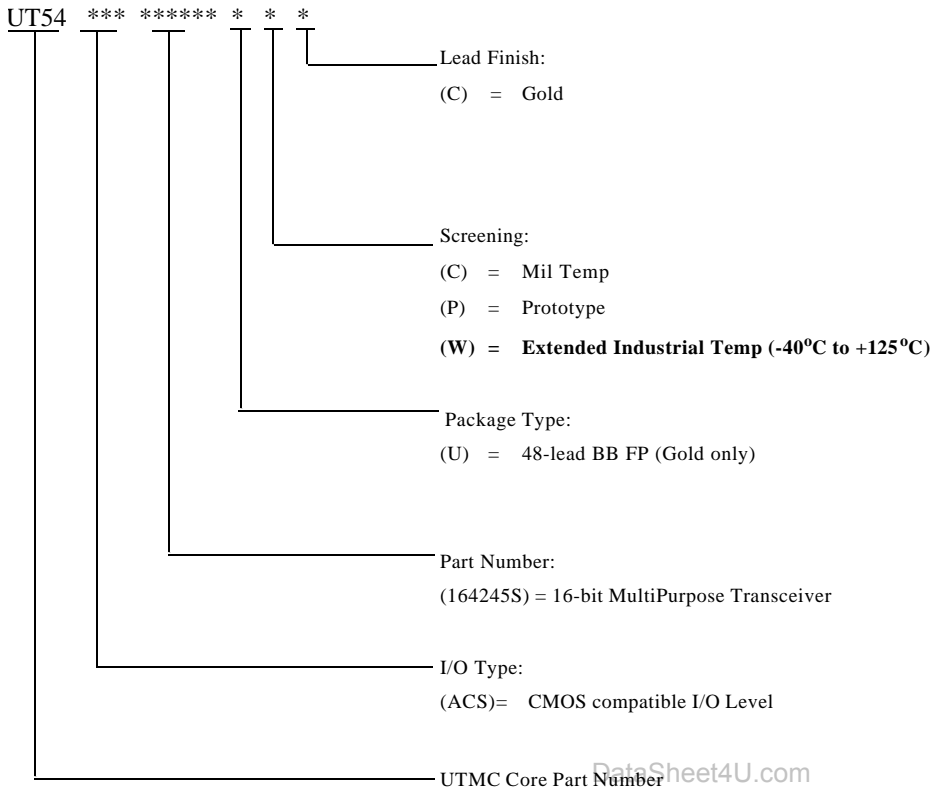
- Total dose radiation must be specified when ordering. QML Q and QML V not available without radiation hardening.

et4U.com

DataShee

DataSheet4U.com

UT54ACS164245S



Notes:

1. Military Temperature Range flow per UTMC Manufacturing Flows Document. Devices are tested -55C, room temp, and 125C. Radiation n either tested nor guaranteed.
2. Prototype flow per UTMC Manufacturing Flows Document Tested at 25C only. Lead finish is gold only.
3. **Extended Industrial Temperature Range Flow per UTMC Manufacturing Flows Document. Devices are tested at -40°C, room temp, and +125°C. Radiation is neither tested nor guaranteed**

et4U.com

DataSheet4U.com