



UT71XX

CMOS IC

THREE-TERMINAL LOW POWER VOLTAGE REGULATORS

DESCRIPTION

The UTC **UT71XX** series is a set of three- Terminal low power voltage regulators implemented in CMOS technology. They are available with several fixed output voltages ranging from 1.5V~7.0V. The advantage of CMOS technology is low voltage dropout and low quiescent current.

Although designed primarily as fixed voltage regulators, these devices can be used with external components to obtain variable voltages and currents.

FEATURES

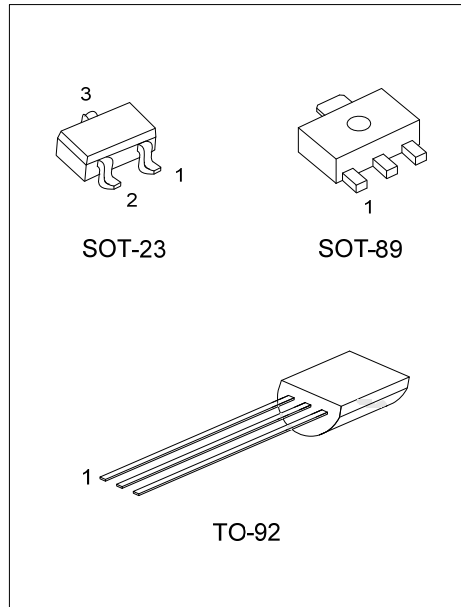
- * Accurate output voltage range ($\pm 2.4\%$)
- * Low power consumption
- * Low voltage dropout
- * Low temperature coefficient
- * Wide operating voltage (24V Max.)

ORDERING INFORMATION

Ordering Number			Package	Pin Assignment			Packing
Normal	Lead free	Halogen Free		1	2	3	
UT71XX-AB3-C-R	UT71XXL-AB3-C-R	UT71XXG-AB3-C-R	SOT-89	G	I	O	Tape Reel
UT71XX-AE3-5-R	UT71XXL-AE3-5-R	UT71XXG-AE3-5-R	SOT-23	G	O	I	Tape Reel
UT71XX-T92-B-B	UT71XXL-T92-B-B	UT71XXG-T92-B-B	TO-92	O	G	I	Tape Box
UT71XX-T92-B-K	UT71XXL-T92-B-K	UT71XXG-T92-B-K	TO-92	O	G	I	Bulk
UT71XX-T92-C-B	UT71XXL-T92-C-B	UT71XXG-T92-C-B	TO-92	G	I	O	Tape Box
UT71XX-T92-C-K	UT71XXL-T92-C-K	UT71XXG-T92-C-K	TO-92	G	I	O	Bulk

Note: Pin assignment: I: V_{IN} O: V_{OUT} G: Ground

<p>UT71^{xx}L-AB3-C-R</p>	<p>(1) B: Tape Box, K: Bulk, R: Tape Reel</p> <p>(2) refer to Pin Assignment</p> <p>(3) AB3: SOT-89, AE3: SOT-23, T92: TO-92</p> <p>(4) G: Halogen Free, L: Lead Free, Blank: Pb/Sn</p> <p>(5) xx: refer to Marking Information</p>
-----------------------------------	---

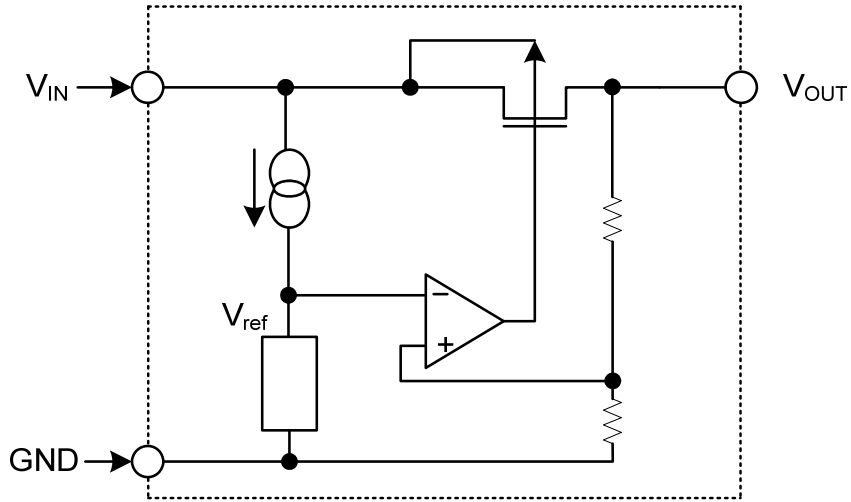


Lead-free: UT71XXL
 Halogen-free: UT71XXG

■ MARKING INFORMATION

PACKAGE	VOLTAGE CODE	MARKING
SOT-89	15:1.5V 18:1.8V 20:2.0V	<p>Date Code Voltage Code UT71XX 1 2 3 L: Lead Free G: Halogen Free</p>
TO-92	25:2.5V 27:2.7V 28:2.8V 30:3.0V 33:3.3V 36:3.6V 44:4.4V	<p>UTC Voltage Code Pin Code UT71XX 1 2 3 L: Lead Free G: Halogen Free Date Code</p>
SOT-23	45:4.5V 50:5.0V 70:7.0V	<p>3 Voltage Code Pin Code 7XX 2 1 L: Lead Free G: Halogen Free</p>

■ BLOCK DIAGRAM



■ ABSOLUTE MAXIMUM RATINGS

PARAMETER	SYMBOL	RATINGS	UNIT
Supply Voltage	V_{CC}	-0.3 ~ +28	V
Power Dissipation	SOT-23	150	mW
	SOT-89/TO-92	200	
Operating Temperature	T_{OPR}	0 ~ +70	°C
Storage Temperature	T_{STG}	-40 ~ +125	°C

Note: Absolute maximum ratings are those values beyond which the device could be permanently damaged. Absolute maximum ratings are stress ratings only and functional device operation is not implied.

■ ELECTRICAL CHARACTERISTICS (Ta=25°C)

FOR UT7115

PARAMETER	SYMBOL	TEST CONDITIONS	MIN	TYP	MAX	UNIT
Output Voltage	V_{OUT}	$V_{IN}=3.5V, I_{OUT}=10mA$	1.464	1.5	1.536	V
Input Voltage	V_{IN}				24	V
Load Regulation	ΔV_{OUT}	$V_{IN}=3.5V, 1mA \leq I_{OUT} \leq 20mA$		60	100	mV
Voltage Dropout	V_D	$I_{OUT}=1mA$		60		mV
Output Current	I_{OUT}	$V_{IN}=3.5V$	20	30		mA
Current Consumption	I_{SS}	$V_{IN}=3.5V, \text{No load}$		4	6.0	μA
Line Regulation	$\frac{\Delta V_{OUT}}{\Delta V_{IN} \times V_{OUT}}$	$2.5V \leq V_{IN} \leq 24V, I_{OUT}=0.5mA$		0.2		%/V
Temperature Coefficient	$\frac{\Delta V_{OUT}}{\Delta Ta}$	$V_{IN}=3.5V, I_{OUT}=10mA$ $0^\circ C < Ta < 70^\circ C$		±0.2		mV/°C

FOR UT7118

PARAMETER	SYMBOL	TEST CONDITIONS	MIN	TYP	MAX	UNIT
Output Voltage	V_{OUT}	$V_{IN}=3.8V, I_{OUT}=10mA$	1.757	1.8	1.843	V
Input Voltage	V_{IN}				24	V
Load Regulation	ΔV_{OUT}	$V_{IN}=3.8V, 1mA \leq I_{OUT} \leq 20mA$		60	100	mV
Voltage Dropout	V_D	$I_{OUT}=1mA$		60		mV
Output Current	I_{OUT}	$V_{IN}=3.8V$	20	30		mA
Current Consumption	I_{SS}	$V_{IN}=3.8V, \text{No load}$		4	6.0	μA
Line Regulation	$\frac{\Delta V_{OUT}}{\Delta V_{IN} \times V_{OUT}}$	$2.8V \leq V_{IN} \leq 24V, I_{OUT}=0.5mA$		0.2		%/V
Temperature Coefficient	$\frac{\Delta V_{OUT}}{\Delta Ta}$	$V_{IN}=3.8V, I_{OUT}=10mA$ $0^\circ C < Ta < 70^\circ C$		±0.25		mV/°C

FOR UT7120

PARAMETER	SYMBOL	TEST CONDITIONS	MIN	TYP	MAX	UNIT
Output Voltage	V_{OUT}	$V_{IN}=4V, I_{OUT}=10mA$	1.952	2.0	2.048	V
Input Voltage	V_{IN}				24	V
Load Regulation	ΔV_{OUT}	$V_{IN}=4V, 1mA \leq I_{OUT} \leq 20mA$		60	100	mV
Voltage Dropout	V_D	$I_{OUT}=1mA$		60		mV
Output Current	I_{OUT}	$V_{IN}=4V$	20	30		mA
Current Consumption	I_{SS}	$V_{IN}=4V, \text{No load}$		4	6.0	μA
Line Regulation	$\frac{\Delta V_{OUT}}{\Delta V_{IN} \times V_{OUT}}$	$3V \leq V_{IN} \leq 24V, I_{OUT}=0.5mA$		0.2		%/V
Temperature Coefficient	$\frac{\Delta V_{OUT}}{\Delta Ta}$	$V_{IN}=4V, I_{OUT}=10mA$ $0^\circ C < Ta < 70^\circ C$		±0.3		mV/°C

■ ELECTRICAL CHARACTERISTICS(Cont.)

FOR UT7125

PARAMETER	SYMBOL	TEST CONDITIONS	MIN	TYP	MAX	UNIT
Output Voltage	V_{OUT}	$V_{IN}=4.5V, I_{OUT}=10mA$	2.440	2.5	2.560	V
Input Voltage	V_{IN}				24	V
Load Regulation	ΔV_{OUT}	$V_{IN}=4.5V, 1mA \leq I_{OUT} \leq 20mA$		60	100	mV
Voltage Dropout	V_D	$I_{OUT}=1mA$		60		mV
Output Current	I_{OUT}	$V_{IN}=4.5V$	20	30		mA
Current Consumption	I_{SS}	$V_{IN}=4.5V, \text{No load}$		4	6.0	μA
Line Regulation	$\frac{\Delta V_{OUT}}{\Delta V_{IN} \times V_{OUT}}$	$3.5V \leq V_{IN} \leq 24V, I_{OUT}=0.5mA$		0.2		%/V
Temperature Coefficient	$\frac{\Delta V_{OUT}}{\Delta T_a}$	$V_{IN}=4.5V, I_{OUT}=10mA$ $0^\circ C < T_a < 70^\circ C$		± 0.35		mV/ $^\circ C$

FOR UT7127

PARAMETER	SYMBOL	TEST CONDITIONS	MIN	TYP	MAX	UNIT
Output Voltage	V_{OUT}	$V_{IN}=4.7V, I_{OUT}=10mA$	2.635	2.7	2.765	V
Input Voltage	V_{IN}				24	V
Load Regulation	ΔV_{OUT}	$V_{IN}=4.7V, 1mA \leq I_{OUT} \leq 20mA$		60	100	mV
Voltage Dropout	V_D	$I_{OUT}=1mA$		60		mV
Output Current	I_{OUT}	$V_{IN}=4.7V$	20	30		mA
Current Consumption	I_{SS}	$V_{IN}=4.7V, \text{No load}$		4	6.0	μA
Line Regulation	$\frac{\Delta V_{OUT}}{\Delta V_{IN} \times V_{OUT}}$	$3.7V \leq V_{IN} \leq 24V, I_{OUT}=0.5mA$		0.2		%/V
Temperature Coefficient	$\frac{\Delta V_{OUT}}{\Delta T_a}$	$V_{IN}=4.7V, I_{OUT}=10mA$ $0^\circ C < T_a < 70^\circ C$		± 0.4		mV/ $^\circ C$

FOR UT7128

PARAMETER	SYMBOL	TEST CONDITIONS	MIN	TYP	MAX	UNIT
Output Voltage	V_{OUT}	$V_{IN}=4.8V, I_{OUT}=10mA$	2.732	2.8	2.867	V
Input Voltage	V_{IN}				24	V
Load Regulation	ΔV_{OUT}	$V_{IN}=4.8V, 1mA \leq I_{OUT} \leq 20mA$		60	100	mV
Voltage Dropout	V_D	$I_{OUT}=1mA$		60		mV
Output Current	I_{OUT}	$V_{IN}=4.8V$	20	30	-	mA
Current Consumption	I_{SS}	$V_{IN}=4.8V, \text{No load}$		4	6.0	μA
Line Regulation	$\frac{\Delta V_{OUT}}{\Delta V_{IN} \times V_{OUT}}$	$3.8V \leq V_{IN} \leq 24V, I_{OUT}=1mA$		0.2		%/V
Temperature Coefficient	$\frac{\Delta V_{OUT}}{\Delta T_a}$	$V_{IN}=4.8V, I_{OUT}=10mA$ $0^\circ C < T_a < 70^\circ C$		± 0.4		mV/ $^\circ C$

FOR UT7130

PARAMETER	SYMBOL	TEST CONDITIONS	MIN	TYP	MAX	UNIT
Output Voltage	V_{OUT}	$V_{IN}=5V, I_{OUT}=10mA$	2.928	3.0	3.072	V
Input Voltage	V_{IN}				24	V
Load Regulation	ΔV_{OUT}	$V_{IN}=5V, 1mA \leq I_{OUT} \leq 20mA$		60	100	mV
Voltage Dropout	V_D	$I_{OUT}=1mA$		60		mV
Output Current	I_{OUT}	$V_{IN}=5V$	20	30	-	mA
Current Consumption	I_{SS}	$V_{IN}=5V, \text{No load}$		4	6.0	μA
Line Regulation	$\frac{\Delta V_{OUT}}{\Delta V_{IN} \times V_{OUT}}$	$4V \leq V_{IN} \leq 24V, I_{OUT}=1mA$		0.2		%/V
Temperature Coefficient	$\frac{\Delta V_{OUT}}{\Delta T_a}$	$V_{IN}=5V, I_{OUT}=10mA$ $0^\circ C < T_a < 70^\circ C$		± 0.45		mV/ $^\circ C$

■ ELECTRICAL CHARACTERISTICS(Cont.)

FOR UT7133

PARAMETER	SYMBOL	TEST CONDITIONS	MIN	TYP	MAX	UNIT
Output Voltage	V_{OUT}	$V_{IN}=5.5V, I_{OUT}=10mA$	3.220	3.3	3.379	V
Input Voltage	V_{IN}				24	V
Load Regulation	ΔV_{OUT}	$V_{IN}=5.5V, 1mA \leq I_{OUT} \leq 30mA$		60	100	mV
Voltage Dropout	V_D	$I_{OUT}=1mA$		60		mV
Output Current	I_{OUT}	$V_{IN}=5.5V$	20	30		mA
Current Consumption	I_{SS}	$V_{IN}=5.5V, \text{No load}$		4	6.0	μA
Line Regulation	$\frac{\Delta V_{OUT}}{\Delta V_{IN} \times V_{OUT}}$	$4.5V \leq V_{IN} \leq 24V, I_{OUT}=1mA$		0.2		%/V
Temperature Coefficient	$\frac{\Delta V_{OUT}}{\Delta Ta}$	$V_{IN}=5.5V, I_{OUT}=10mA$ $0^\circ C < Ta < 70^\circ C$		± 0.5		mV/ $^\circ C$

FOR UT7136

PARAMETER	SYMBOL	TEST CONDITIONS	MIN	TYP	MAX	UNIT
Output Voltage	V_{OUT}	$V_{IN}=5.6V, I_{OUT}=10mA$	3.513	3.6	3.686	V
Input Voltage	V_{IN}				24	V
Load Regulation	ΔV_{OUT}	$V_{IN}=5.6V, 1mA \leq I_{OUT} \leq 30mA$		60	100	mV
Voltage Dropout	V_D	$I_{OUT}=1mA$		60		mV
Output Current	I_{OUT}	$V_{IN}=5.6V$	20	30		mA
Current Consumption	I_{SS}	$V_{IN}=5.6V, \text{No load}$		3	6.0	μA
Line Regulation	$\frac{\Delta V_{OUT}}{\Delta V_{IN} \times V_{OUT}}$	$4.6V \leq V_{IN} \leq 24V, I_{OUT}=1mA$		0.2		%/V
Temperature Coefficient	$\frac{\Delta V_{OUT}}{\Delta Ta}$	$V_{IN}=5.6V, I_{OUT}=10mA$ $0^\circ C < Ta < 70^\circ C$		± 0.6		mV/ $^\circ C$

FOR UT7144

PARAMETER	SYMBOL	TEST CONDITIONS	MIN	TYP	MAX	UNIT
Output Voltage	V_{OUT}	$V_{IN}=6.4V, I_{OUT}=10mA$	4.294	4.4	4.505	V
Input Voltage	V_{IN}				24	V
Load Regulation	ΔV_{OUT}	$V_{IN}=6.4V, 1mA \leq I_{OUT} \leq 30mA$		60	100	mV
Voltage Dropout	V_D	$I_{OUT}=1mA$		60		mV
Output Current	I_{OUT}	$V_{IN}=6.4V$	20	30		mA
Current Consumption	I_{SS}	$V_{IN}=6.4V, \text{No load}$		4	7.5	μA
Line Regulation	$\frac{\Delta V_{OUT}}{\Delta V_{IN} \times V_{OUT}}$	$5.4V \leq V_{IN} \leq 24V, I_{OUT}=1mA$		0.2		%/V
Temperature Coefficient	$\frac{\Delta V_{OUT}}{\Delta Ta}$	$V_{IN}=6.4V, I_{OUT}=10mA$ $0^\circ C < Ta < 70^\circ C$		± 0.7		mV/ $^\circ C$

FOR UT7145

PARAMETER	SYMBOL	TEST CONDITIONS	MIN	TYP	MAX	UNIT
Output Voltage	V_{OUT}	$V_{IN}=6.5V, I_{OUT}=10mA$	4.392	4.5	4.608	V
Input Voltage	V_{IN}				24	V
Load Regulation	ΔV_{OUT}	$V_{IN}=6.5V, 1mA \leq I_{OUT} \leq 30mA$		60	100	mV
Voltage Dropout	V_D	$I_{OUT}=1mA$		60		mV
Output Current	I_{OUT}	$V_{IN}=6.5V$	20	30		mA
Current Consumption	I_{SS}	$V_{IN}=6.5V, \text{No load}$		4	7.5	μA
Line Regulation	$\frac{\Delta V_{OUT}}{\Delta V_{IN} \times V_{OUT}}$	$5.5V \leq V_{IN} \leq 24V, I_{OUT}=1mA$		0.2		%/V
Temperature Coefficient	$\frac{\Delta V_{OUT}}{\Delta Ta}$	$V_{IN}=6.5V, I_{OUT}=10mA$ $0^\circ C < Ta < 70^\circ C$		± 0.7		mV/ $^\circ C$

■ ELECTRICAL CHARACTERISTICS(Cont.)

FOR UT7150

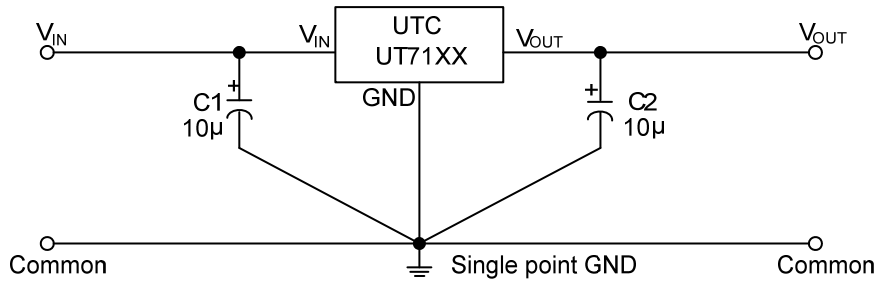
PARAMETER	SYMBOL	TEST CONDITIONS	MIN	TYP	MAX	UNIT
Output Voltage	V_{OUT}	$V_{IN}=7V, I_{OUT}=10mA$	4.88	5.0	5.12	V
Input Voltage	V_{IN}				24	V
Load Regulation	ΔV_{OUT}	$V_{IN}=7V, 1mA \leq I_{OUT} \leq 30mA$		60	100	mV
Voltage Dropout	V_D	$I_{OUT}=1mA$		60		mV
Output Current	I_{OUT}	$V_{IN}=7V$	20	30		mA
Current Consumption	I_{SS}	$V_{IN}=7V, \text{No load}$		5	9.0	μA
Line Regulation	$\frac{\Delta V_{OUT}}{\Delta V_{IN} \times V_{OUT}}$	$6V \leq V_{IN} \leq 24V, I_{OUT}=1mA$		0.2		%/V
Temperature Coefficient	$\frac{\Delta V_{OUT}}{\Delta T_a}$	$V_{IN}=7V, I_{OUT}=10mA$ $0^\circ C < T_a < 70^\circ C$		± 0.75		mV/ $^\circ C$

FOR UT7170

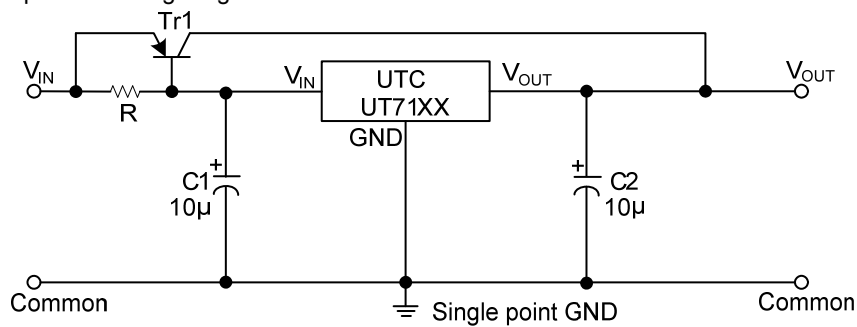
PARAMETER	SYMBOL	TEST CONDITIONS	MIN	TYP	MAX	UNIT
Output Voltage	V_{OUT}	$V_{IN}=9V, I_{OUT}=10mA$	6.832	7.0	7.168	V
Input Voltage	V_{IN}				24	V
Load Regulation	ΔV_{OUT}	$V_{IN}=9V, 1mA \leq I_{OUT} \leq 30mA$		60	100	mV
Voltage Dropout	V_D	$I_{OUT}=1mA$		60		mV
Output Current	I_{OUT}	$V_{IN}=9V$	20	30		mA
Current Consumption	I_{SS}	$V_{IN}=9V, \text{No load}$		5	12.5	μA
Line Regulation	$\frac{\Delta V_{OUT}}{\Delta V_{IN} \times V_{OUT}}$	$8V \leq V_{IN} \leq 24V, I_{OUT}=1mA$		0.2		%/V
Temperature Coefficient	$\frac{\Delta V_{OUT}}{\Delta T_a}$	$V_{IN}=9V, I_{OUT}=10mA$ $0^\circ C < T_a < 70^\circ C$		± 1.05		mV/ $^\circ C$

■ TYPICAL APPLICATION CIRCUIT

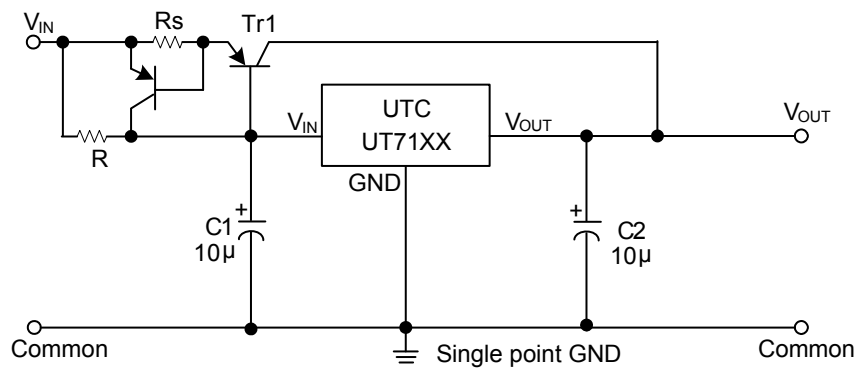
The basic circuits using the UTC **UT71XX** series



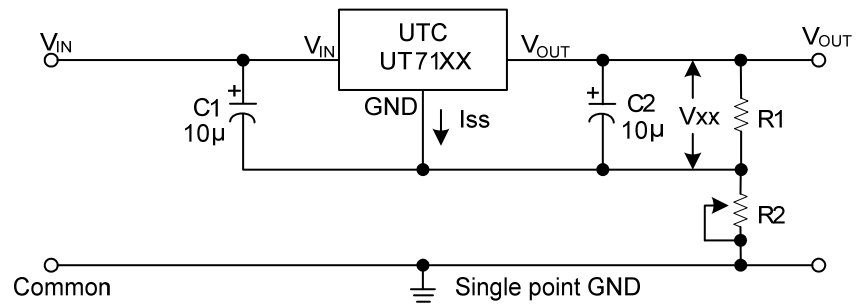
High output current positive voltage regulator



Short-circuit protection for Tr1



Circuit for increasing output voltage

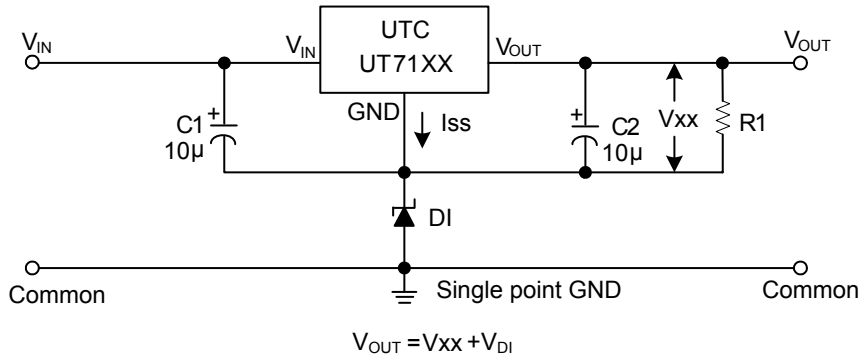


$$V_{OUT} = V_{xx} \left(1 + \frac{R_2}{R_1}\right) + I_{ss} R_2$$

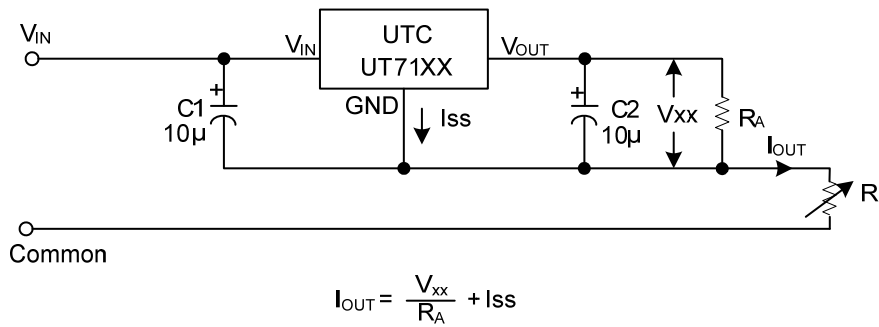
$$\approx V_{xx} \left(1 + \frac{R_2}{R_1}\right)$$

■ TYPICAL APPLICATION CIRCUIT(cont.)

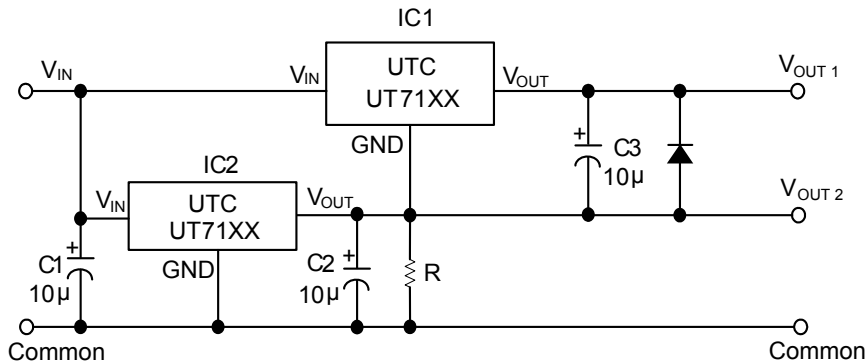
Circuit for increasing output voltage



Constant current regulator



Dual supply



UTC assumes no responsibility for equipment failures that result from using products at values that exceed, even momentarily, rated values (such as maximum ratings, operating condition ranges, or other parameters) listed in products specifications of any and all UTC products described or contained herein. UTC products are not designed for use in life support appliances, devices or systems where malfunction of these products can be reasonably expected to result in personal injury. Reproduction in whole or in part is prohibited without the prior written consent of the copyright owner. The information presented in this document does not form part of any quotation or contract, is believed to be accurate and reliable and may be changed without notice.