

UTC3308 LINEAR INTEGRATED CIRCUIT

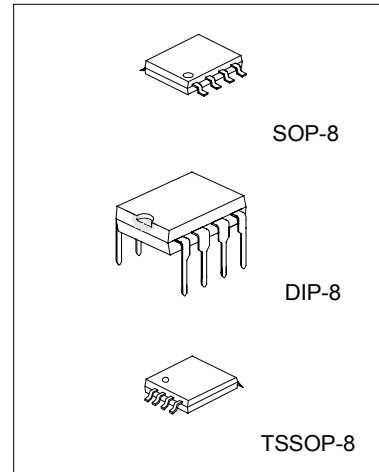
SINGLE-SUPPLY DUAL HIGH CURRENT OPERATIONAL AMPLIFIER

DESCRIPTION

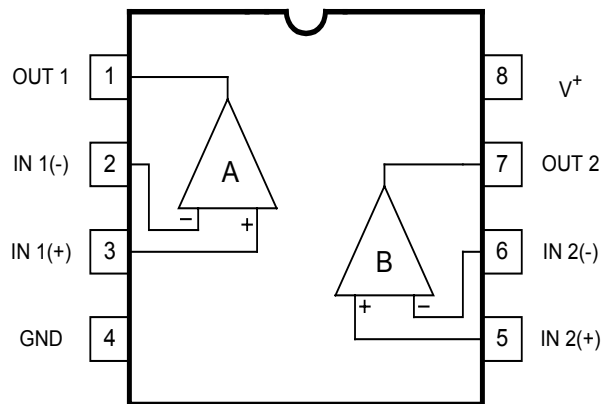
The UTC 3308 integrated circuit is a high gain, high output current, high output voltage swing dual operational amplifier capable of driving 150mA, specially for CD ROM, DVD devices.

FEATURES

- *Single Supply
- *Operating Voltage (+3V~+15V) ($\pm 1.5V \sim \pm 7.5V$)
- *High Output Current (150mA)
- *High Frequency Noise Rejection
- *Internal Enhanced Frequency Compensation



PIN CONFIGURATIONS



UTC3308 LINEAR INTEGRATED CIRCUIT

ABSOLUTE MAXIMUM RATINGS (Ta=25°C)

PARAMETER	SYMBOL	VALUE	UNIT
Supply Voltage	V+	15V / ±7.5V	V
Differential Input Voltage	V _{ID}	15	V
Input Voltage	V _I	-0.3 ~ +15	V
Power Dissipation	P _D	300	mW
Operating Temperature	Topr	-20 to +75	°C
Storage Temperature	Tstg	-40 to +125	°C

ELECTRICAL CHARACTERISTICS (Ta=25°C, V⁺=5V)

PARAMETER	SYMBOL	TEST CONDITIONS	MIN	TYP	MAX	UNIT
Input Offset Voltage	V _{IO}	R _S =0Ω		2	5	mV
Input Offset Current	I _{IO}			5	100	nA
Input Bias Current	I _B			100	500	nA
Large Signal Voltage Gain	A _V	R _L =2kΩ	88	100		dB
Input Common Voltage Range	V _{ICM}		V ⁺ -2			V
Maximum Output Voltage Swing 1	V _{OM1}	R _L ≥2kΩ	3.5			V
Maximum Output Voltage Swing 2	V _{OM2}	I _O =70mA	3.2			V
Common Mode Rejection Ratio	CMR		80	90		dB
Supply Voltage Rejection Ratio	SVR		80	90		dB
Operating Current	I _{CC}	R _L =∞	3	4	5	mA
Slew Rate	SR			1.0		V/μs
Unity Gain Bandwidth	GB			1.3		MHz
Operating Voltage Range	V ⁺				15	V