

# UTC KA8602 LINEAR INTEGRATED CIRCUIT

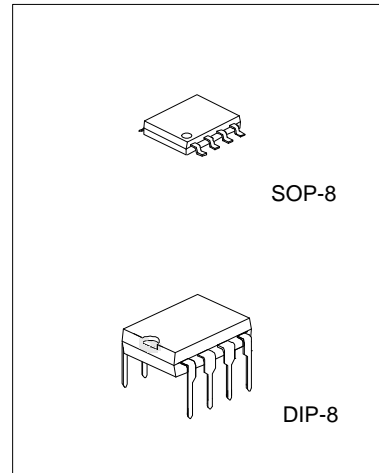
## LOW VOLTAGE AUDIO POWER AMPLIFIER

### DESCRIPTION

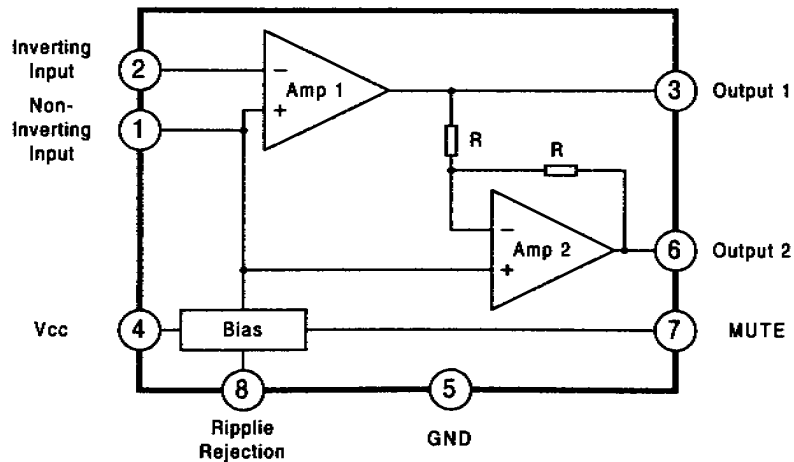
The UTC KA8602 is the audio power amplifier available for low voltage. The UTC KA8602 supplies differential outputs for maximizing output swing at low voltages. The UTC KA8602 does not need coupling capacitors to the speaker. The gain of this amplifier is controlled easily by two external resistors.

### FEATURES

- \*Wide operating supply voltage:  $V_{cc}=2V\sim 16V$
- \*Low quiescent supply current(  $I_{cc}=2.7mA$ , typ)
- \*Medium output power(  $P_o=250mW$  at  $V_{cc}=6V$ ,  $R_L=32\Omega$ , THD=10%
- \*Load impedance range: 8~100ohm
- \*Mute function ( $I_{cc}=65\mu A$ , typ)
- \*Minimum number of external parts required.
- \*Low distortion



### BLOCK DIAGRAM



# UTC KA8602 LINEAR INTEGRATED CIRCUIT

## ABSOLUTE MAXIMUM RATINGS(Ta=25°C)

PARAMETER	SYMBOL	VALUE	UNIT
Supply Voltage	Vcc	-1~18	V
Output Current	Io	+250	mA
Maximum Input, Ripple Rejection, Mute Pin Voltage	Vi(max)	-1~Vcc+1	V
Applied Output Voltage( Output Pin When Disabled)	Vo	-1~Vcc+1	V
Temperature Junction	Tj	-55 ~ 150	°C

## PIN CONFIGURATIONS

PIN	NAME	DESCRIPTION
1	Input(+)	Analog Ground for the amplifiers. A 1 $\mu$ F capacitor at this pin ( with a 5 $\mu$ F capacitor at pin 8) provides 52dB( typ) of power supply rejection. Turn-on time of the circuit is affected by the capacitor on this pin. This pin can be used as an alternative input.
2	Input(-)	Amplifier input. The input capacitor and resistor set low frequency roll-off and input impedance. The feedback resistor is connected between this pin and output 1.
3	Output 1	Amplifier 1' s output. The DC level is about (Vcc-0.7V)/2.
4	Vcc	DC supply voltage is applied to this pin( Vcc=2~16V).
5	GND	Ground pin.
6	Output 2	Amplifier 2' s output. This signal is equal in amplitude, but 180° out of phase with that output 1, the DC level is about (Vcc-0.7V)/2.
7	Mute	This pin can be used to power down the IC to conserve power, or for muting, or both. When at a logic "LOW" (less than 0.8V), the IC is enabled for normal operation. When at a logic "HIGH" (2V to Vcc), the IC is disabled. If Mute is open, that is equivalent to a logic "LOW" .
8	Ripple Rejection	A capacitor at this pin increase power supply rejection, and affects turn-on time. This pin can be left open if the capacitor at pin 1 is sufficient.

## RECOMMENDED OPERATION CONDITIONS(Ta=25°C)

PARAMETER	SYMBOL	VALUE	UNIT
Supply Voltage	Vcc	2~16	V
Load Impedance	ZL	8~100	$\Omega$
Peak Load Current	IL(peak)	+200	mA
Differential Gain(5KHz Bandwidth)	$\Delta$ Gv	0~46	dB
Voltage at Mute	Vi(mute)	0~Vcc	V
Ambient Temperature	Ta	-20~470	°C

# UTC KA8602 LINEAR INTEGRATED CIRCUIT

## ELECTRICAL CHARACTERISTICS (V<sub>CC</sub>=6V, T<sub>a</sub>=25°C, unless otherwise specified)

PARAMETER	SYMBOL	TEST CONDITIONS	MIN	TYP	MAX	UNIT
<b>DC PARAMETER</b>						
Operating Current	I <sub>CC</sub>	V <sub>CC</sub> =3V, Mute=0.8V		2.7	4	mA
		V <sub>CC</sub> =16V, Mute=0.8V		3.3	5	mA
		V <sub>CC</sub> =3V, Mute=2V		65	100	μA
Output Voltage	V <sub>O</sub>	RL=16Ω, R1=75KΩ				
		V <sub>CC</sub> =3V	1	1.15	1.25	V
		V <sub>CC</sub> =6V		2.65		V
		V <sub>CC</sub> =12V		5.65		V
Output Offset Voltage	V <sub>OO</sub>	V <sub>CC</sub> =6V, R <sub>f</sub> =75KΩ, R <sub>L</sub> =32Ω	-30	0	30	mV
Output High Level	V <sub>OH</sub>	2V<V <sub>CC</sub> <16V, I <sub>out</sub> =-75mA		V <sub>CC</sub> -1		V
Output Low Level	V <sub>OL</sub>	2V<V <sub>CC</sub> <16V, I <sub>out</sub> =75mA		0.16		V
Input Bias Current	I <sub>bias</sub>			-100	-200	nA
Equivalent Resistance	R <sub>EQ</sub>	Pin 1	100	150	220	KΩ
		Pin 8	18	25	40	KΩ
<b>AC PARAMETER</b>						
Open Loop Gain of Amp. 1	G <sub>v1</sub>		80			dB
Open Loop Gain of Amp. 2	G <sub>v2</sub>	f=1KHz, R <sub>L</sub> =32Ω	-0.35	0	0.35	dB
Output Power	P <sub>O</sub>	V <sub>CC</sub> =3V, R <sub>L</sub> =6Ω, THD<10%	55			mW
		V <sub>CC</sub> =6V, R <sub>L</sub> =32Ω, THD<10%	250			mW
		V <sub>CC</sub> =12V, R <sub>L</sub> =100Ω, THD<10%	400			mW
Total Harmonic Distortion (f=1KHz)	THD	V <sub>CC</sub> =6V, R <sub>L</sub> =32Ω, P <sub>O</sub> =125mW		0.5	1	%
		V <sub>CC</sub> <3V, R <sub>L</sub> =8Ω, P <sub>O</sub> =20mW		0.5		%
		V <sub>CC</sub> <12V, R <sub>L</sub> =32Ω, P <sub>O</sub> =200mW		0.6		%
Gain Bandwidth Product	GBW			1.5		MHz
Power Supply Rejection (V <sub>CC</sub> =6V, ΔV <sub>CC</sub> =3V)	PSRR	C1=∞, C2=0.01μF	50			dB
		C1=0.1μF, C2=0, f=1KHz		12		dB
		C1=1μF, C2=5μF, f=1KHz		52		dB
Muting	G <sub>v</sub> (mute)	Mute=2V, 1KHz<f<20KHz	70			dB

## APPLICATION CIRCUIT

# UTC KA8602 LINEAR INTEGRATED CIRCUIT

