

UTC TEA2025A LINEAR INTEGRATED CIRCUIT

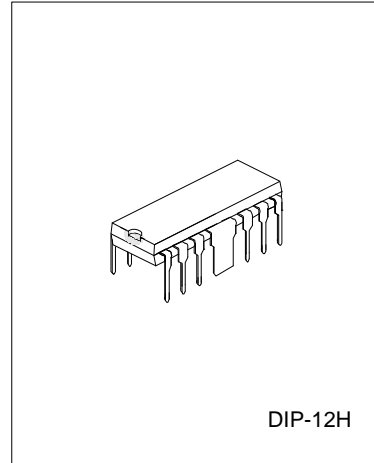
2.3W DUAL AUDIO POWER AMPLIFIER

DESCRIPTION

The UTC TEA2025A is a monolithic integrated circuit, consisting of a 2-channel power amplifier. It is suitable for stereo and bridge amplifier application of radio cassette tape recorders.

FEATURES

- *High output power
 - Stereo: $P_o=2.3W$ (Typ) at $V_{cc}=9V$, $R_L=4\Omega$
 - Bridge: $P_o=4.7W$ (Typ) at $V_{cc}=9V$, $R_L=8\Omega$
- *Low switching distortion at high frequency
- *Small shock noise at the time of power on/off due to a built-in muting circuit
- *Good ripple rejection due to a built-in ripple filter
- *Good channel separation
- *Soft tone at the time of output straiten
- *Closed loop voltage gain fixed 45dB (Bridge: 51dB) but availability with external resistor added
- *Minimum number of external parts required
- *Easy to design radiator fin



BLOCK DIAGRAM

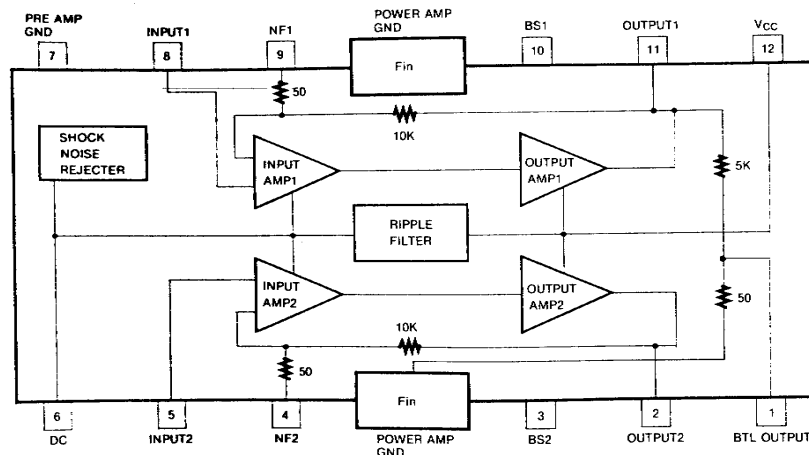


Fig. 1

UTC TEA2025A LINEAR INTEGRATED CIRCUIT

ABSOLUTE MAXIMUM RATINGS

PARAMETER	SYMBOL	VALUE	UNIT
Supply Voltage	Vs	15	V
Power Dissipation	Pd	4*	W
Operating Temperature	Topr	-20 ~ +70	°C
Storage Temperature	Tstg	-40 ~ +150	°C

ELECTRICAL CHARACTERISTICS (Ta=25°C, Vcc=9V, Rg=600Ω, Unless otherwise specified)

PARAMETER	SYMBOL	TEST CONDITIONS	MIN	TYP	MAX	UNIT
Operating Supply Voltage	Vcc			9	11	V
Quiescent Current	Icc	Vi=0, Stereo		40	55	mA
Closed Loop Voltage Gain	Av	Stereo, Vi=-45dBm	43	45	47	dB
		Bridge, Vi=-45dBm	49	51	53	dB
Channel Balance	CB	Stereo	-1	0	+1	dB
Output Power	PO	Stereo, RL=4Ω, THD=10%	1.7	2.3		W
		Stereo, RL=8Ω, THD=10%		1.3		W
		Bridge, RL=8Ω, THD=10%		4.7		W
Total Harmonic Distortion	THD	Stereo, Po=250mW, RL=4Ω		0.3	1.5	%
		Bridge, Po=250mW, RL=4Ω		0.5		%
Input Resistance	Ri		21	30		kΩ
Ripple Rejection	RR	Stereo, Rg=0Ω, Vr=150mV, f=100Hz	40	46		dB
Output Noise Voltage	VNO	Stereo, Rg=0Ω		0.3	1	mV
		Stereo, Rg=10KΩ		0.5	2	mV
Cross-Talk	CT	Stereo, Rg=10KΩ, Vo=0dBm	40	55		dB

UTC TEA2025A LINEAR INTEGRATED CIRCUIT

APPLICATION CIRCUIT: Stereo Amplifier

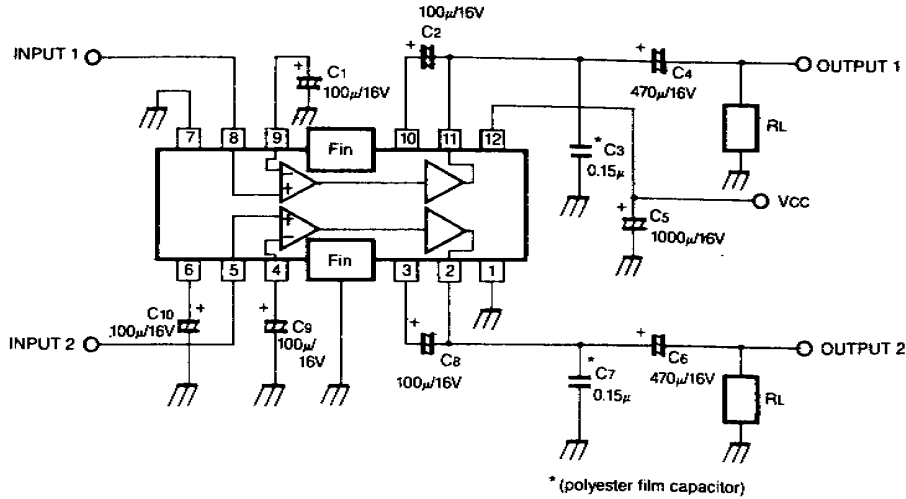


Fig. 2

APPLICATION CIRCUIT: Bridge Amplifier

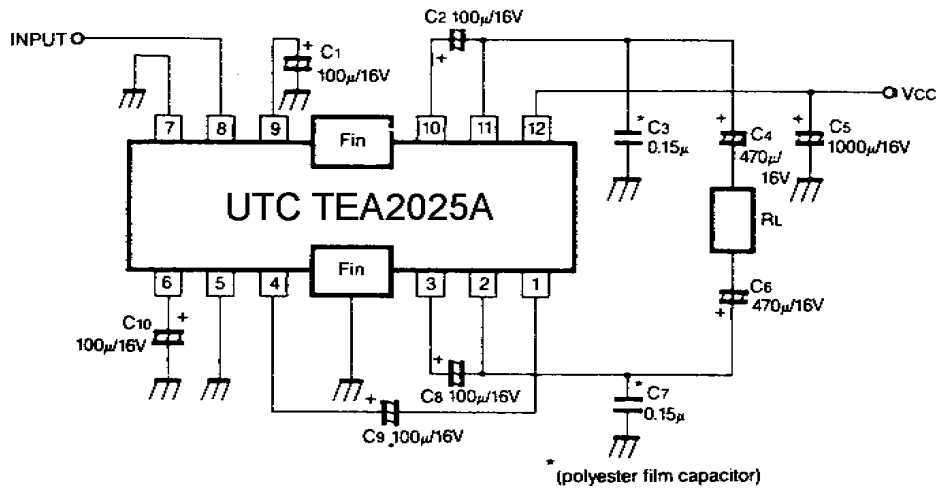


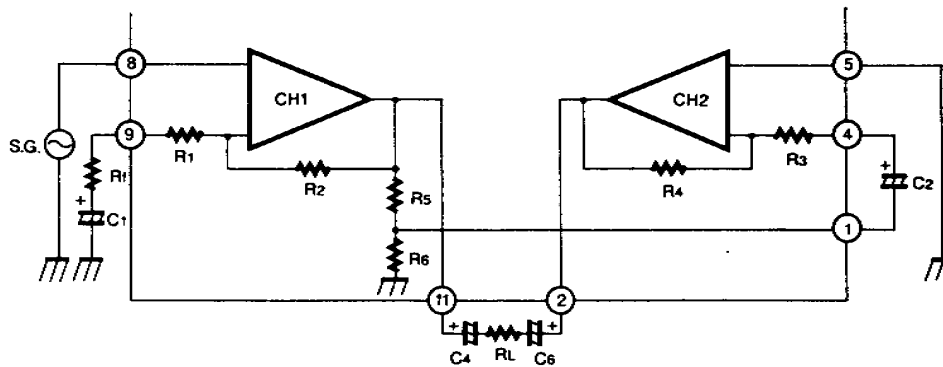
Fig. 3

UTC TEA2025A LINEAR INTEGRATED CIRCUIT

VOLTAGE GAIN ADJUSTMENT

1. Stereo application

2. Bridge application



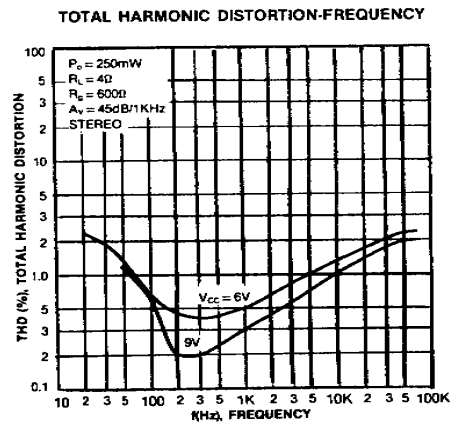
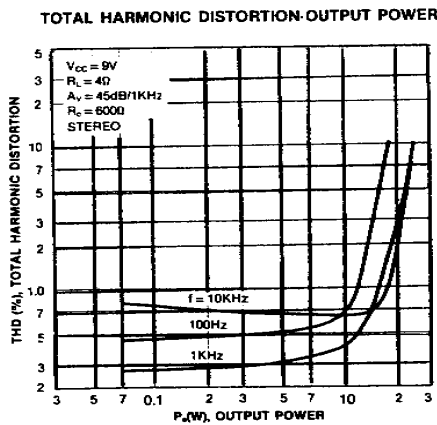
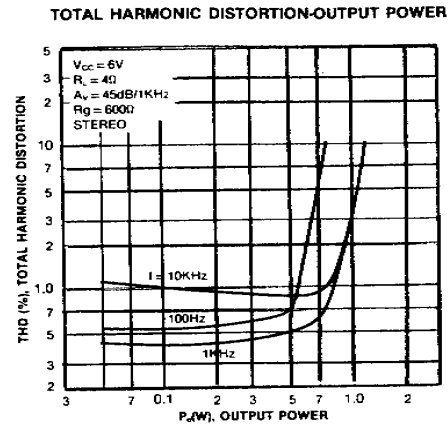
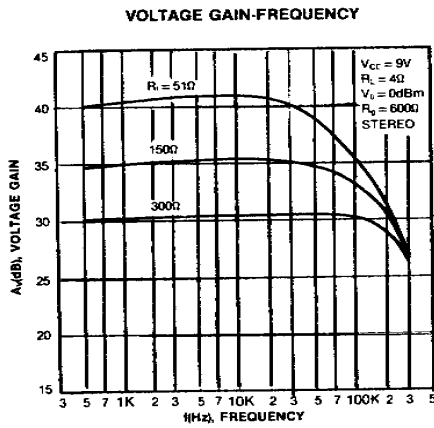
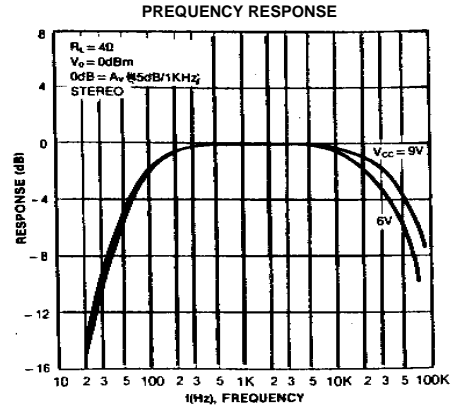
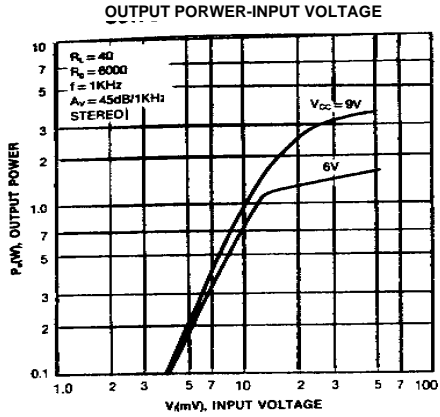
i) Fixed voltage gain (Pin 9 connected to GND directly)

$$A_v = 20 \log \frac{R_2}{R_1} + 6 \text{ (dB)}$$

ii) Variable voltage gain (R_f and C_1 connected with pin 9)

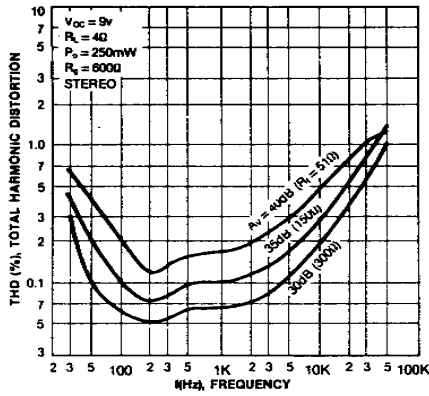
$$A_v = 20 \log \frac{R_2}{R_1 + R_f} + 6 \text{ (dB)}$$

UTC TEA2025A LINEAR INTEGRATED CIRCUIT

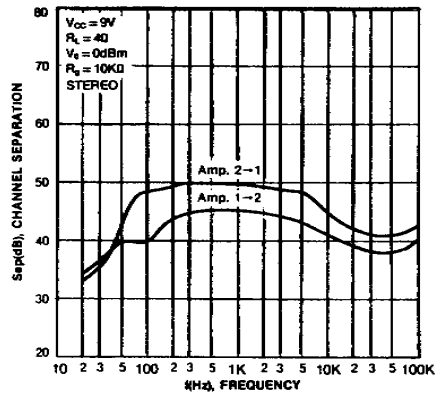


UTC TEA2025A LINEAR INTEGRATED CIRCUIT

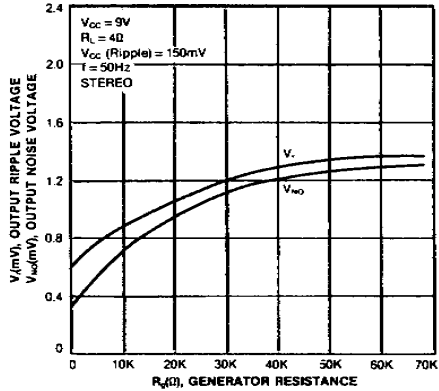
TOTAL HARMONIC DISTORTION-FREQUENCY



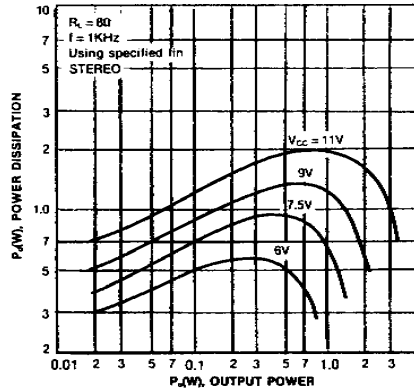
CHANNEL SEPARATION-FREQUENCY



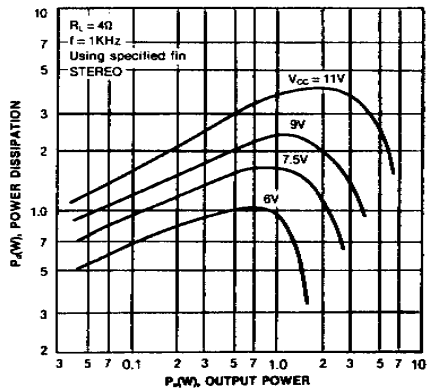
OUTPUT RIPPLE VOLTAGE-GENERATOR RESISTANCE
OUTPUT NOISE VOLTAGE



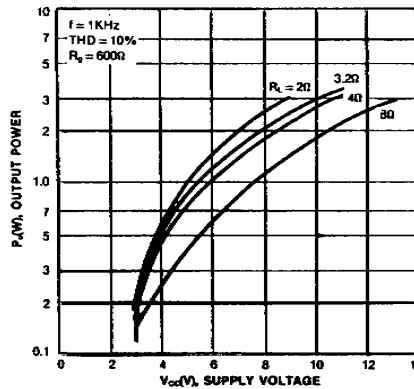
POWER DISSIPATION-OUTPUT POWER



POWER DISSIPATION -OUTPUT POWER

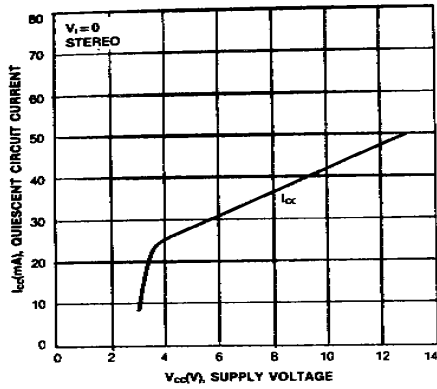


OUTPUT POWER-SUPPLY VOLTAGE

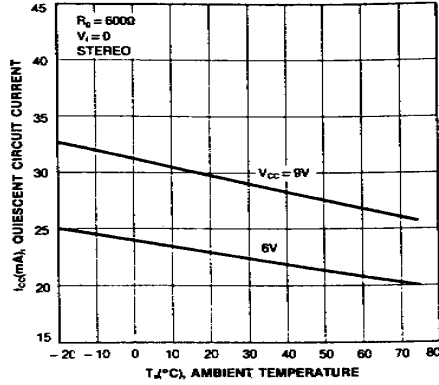


UTC TEA2025A LINEAR INTEGRATED CIRCUIT

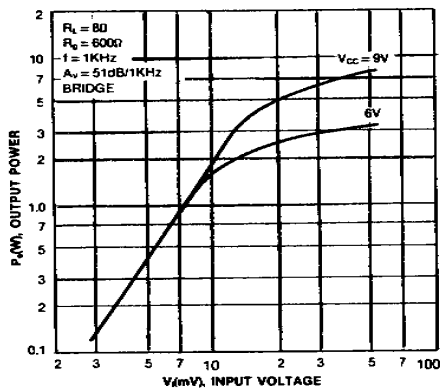
QUIESCENT CIRCUIT CURRENT SUPPLY VOLTAGE



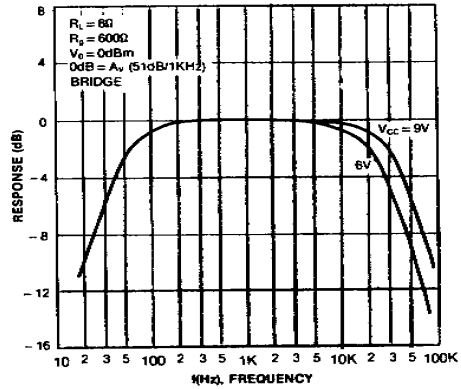
QUIESCENT CIRCUIT CURRENT AMBIENT TEMPERATURE



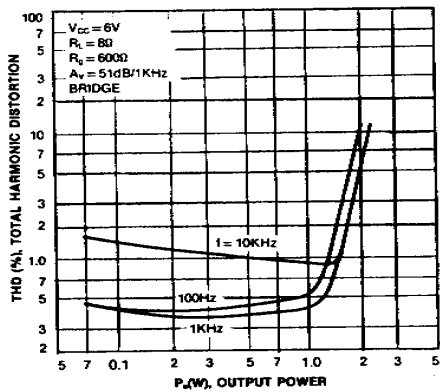
OUTPUT POWER-INPUT VOLTAGE



FREQUENCY RESPONSE



TOTAL HARMONIC DISTORTION-OUTPUT POWER



TOTAL HARMONIC DISTORTION-OUTPUT POWER

