



### 2-BIT BIDIRECTIONAL VOLTAGE-LEVEL TRANSLATOR FOR OPEN-DRAIN AND PUSH-PULL APPLICATION

#### DESCRIPTION

This 2-bit non-inverting translator is a bidirectional voltage-level translator and can be used to establish digital switching compatibility between mixed-voltage systems. It uses two separate configurable power supply rails, with the A ports supporting operating voltages from 1.65V to 3.6V while it tracks the  $V_{CCA}$  supply, and the B ports supporting operating voltages from 2.3V to 5.5V while it tracks the  $V_{CCB}$  supply.

This allows the support of both lower and higher logic signal levels while providing bidirectional translation capabilities between any of the 1.8V, 2.5V, 3.3V, and 5V voltage nodes.

When the output-enable (OE) input is low, all I/Os are placed in the high-impedance state, which significantly reduces the power-supply quiescent current consumption.

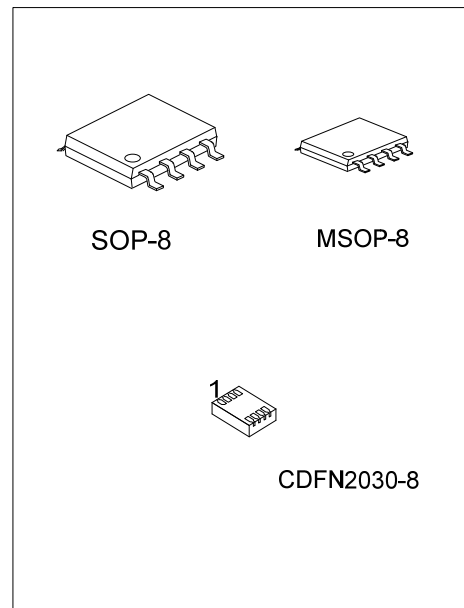
To ensure the high-impedance state during power-up or power-down, OE should be tied to GND through a pull-down resistor; the minimum value of the resistor is determined by the current-sourcing capability of the driver.

#### FEATURES

- \* 1.65V to 3.6V on A Port and 2.3V to 5.5V on B Port ( $V_{CCA} \leq V_{CCB}$ )
- \* No Direction-Control Signal Needed
- \* No Power-Supply Sequencing Required – Either  $V_{CCA}$  or  $V_{CCB}$  Can be Ramped First
- \*  $I_{OFF}$  Supports Partial-Power-Down Mode Operation

#### APPLICATION

- \* Handset
- \* Smartphone
- \* Tablet
- \* Desktop PC



### ORDERING INFORMATION

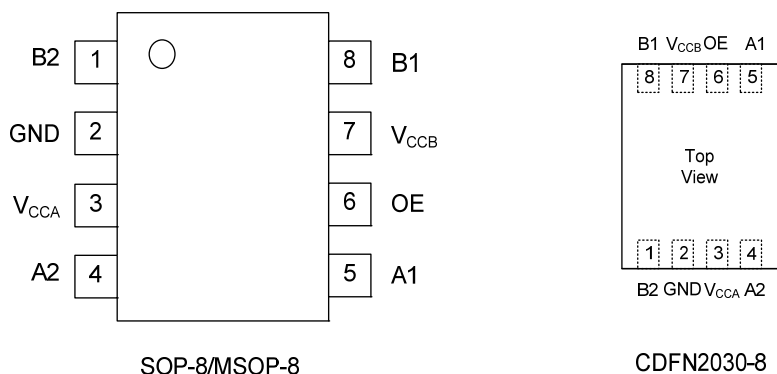
Ordering Number		Package	Packing
Lead Free	Halogen Free		
UTXS0102L-S08-R	UTXS0102G-S08-R	SOP-8	Tape Reel
UTXS0102L-SM1-R	UTXS0102G-SM1-R	MSOP-8	Tape Reel
UTXS0102L-CK08-2030-R	UTXS0102G-CK08-2030-R	CDFN2030-8	Tape Reel

<p>UTXS0102G-S08-R</p> <p>(1) Packing Type (2) Package Type (3) Green Package</p>	<p>(1) R: Tape Reel (2) S08: SOP-8, SM1: MSOP-8, CK08-2030: CDFN2030-8 (3) G: Halogen Free and Lead Free, L: Lead Free</p>
---	--

### MARKING

SOP-8 / MSOP-8	CDFN2030-8
<p>8 7 6 5 → Date Code UTC □□□□ L: Lead Free UTXS0102 □ → G: Halogen Free □□ → Lot Code 1 2 3 4</p>	<p>UTXS 0102 • □□□□ → Date Code</p>

### ■ PIN CONFIGURATION



### ■ PIN DESCRIPTION

PIN NO.	PIN NAME	I/O	DESCRIPTION
1	B2	I/O	Input/output B2. Referenced to V <sub>CCB</sub>
2	GND		Ground
3	V <sub>CCA</sub>		A-Port supply voltage $1.65V \leq V_{CCA} \leq 3.6V$ , $V_{CCA} \leq V_{CCB}$
4	A2	I/O	Input/output A2. Referenced to V <sub>CCA</sub>
5	A1	I/O	Input/output A1. Referenced to V <sub>CCA</sub>
6	OE	I	3-state output-mode enable. Pull OE low to place all outputs in 3-state mode. Referenced to V <sub>CCA</sub>
7	V <sub>CCB</sub>		B-Port supply voltage $2.3V \leq V_{CCB} \leq 5.5V$
8	B1	I/O	Input/output B1. Referenced to V <sub>CCB</sub>

Note: I=Input, O=Output, I/O=Input and Output.

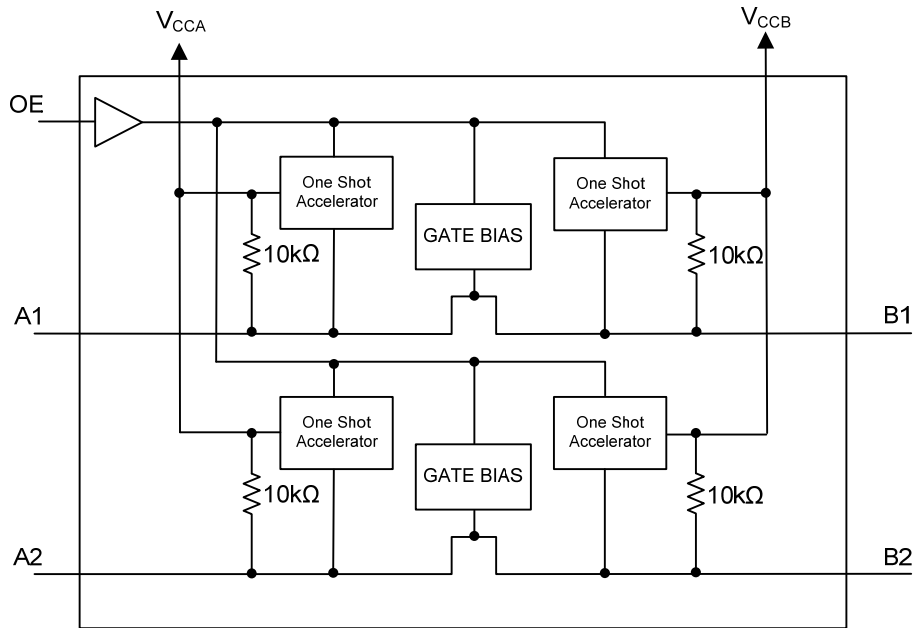
### ■ FUNCTION TABLE

SUPPLY VOLTAGE		INPUT	INPUT/OUTPUT	
V <sub>CCA</sub>	V <sub>CCB</sub>	OE	A <sub>n</sub>	B <sub>n</sub>
1.65V ~ V <sub>CCB</sub>	2.3V ~ 5.5V	L	Z	Z
1.65V ~ V <sub>CCB</sub>	2.3V ~ 5.5V	H	Input or Output	Output or Input
GND	GND	X	Z	Z

Notes: 1. H = High voltage level ; L = Low voltage level ; X = Don't care ; Z = high-impedance OFF-state

2. When either V<sub>CCA</sub> or V<sub>CCB</sub> is at GND level, the device goes into power-down mode.

■ BLOCK DIAGRAM



### ■ ABSOLUTE MAXIMUM RATING

PARAMETER		SYMBOL	RATINGS	UNIT
Supply Voltage		$V_{CCA}$	-0.5 ~ 4.6	V
Supply Voltage		$V_{CCB}$	-0.5 ~ 6.5	V
Input Voltage	A Port	$V_{IN}$	-0.5 ~ 4.6	V
	B Port		-0.5 ~ 6.5	V
Voltage Range Applied to Any Output In the High-Impedance or Power-Off State	A Port	$V_{OUT}$	-0.5 ~ 4.6	V
	B Port		-0.5 ~ 6.5	V
Voltage Range Applied to Any Output In the High or Low State	A Port	$V_{OUT}$	-0.5 ~ $V_{CCA}+0.5$	V
	B Port		-0.5 ~ $V_{CCB}+0.5$	V
Input Clamp Current	$V_{IN}<0$	$I_{IK}$	-50	mA
Output Clamp Current	$V_{OUT}<0$	$I_{OK}$	-50	mA
Continuous Output Current		$I_{OUT}$	±50	mA
Continuous Current Through $V_{CCA}$ , $V_{CCB}$ , or GND		$I_{CC} / I_{GND}$	±100	mA
Storage Temperature		$T_{STG}$	-65 ~ +150	°C

Note: Absolute maximum ratings are those values beyond which the device could be permanently damaged. Absolute maximum ratings are stress ratings only and functional device operation is not implied.

### ■ RECOMMENDED OPERATING CONDITIONS ( $T_A=25^\circ\text{C}$ , unless otherwise specified)

PARAMETER		SYMBOL	TEST CONDITIONS	MIN	TYP	MAX	UNIT
Supply Voltage (Note 3)		$V_{CCA}$		1.65		3.6	V
Supply Voltage (Note 3)		$V_{CCB}$		2.3		5.5	V
Input Voltage		$V_{IN}$		0		$V_{CCI}$	V
Output Voltage	A Port I/Os	$V_{OUT}$	$V_{CCA}=1.65\text{V}\sim 3.6\text{V}$ , $V_{CCB}=2.3\text{V}\sim 5.5\text{V}$	0		3.6	V
	B Port I/Os			0		5.5	V
High-Level Input Voltage	A Port I/Os	$V_{IH}$	$V_{CCA}=1.65\text{V}\sim 1.95\text{V}$ , $V_{CCB}=2.3\text{V}\sim 5.5\text{V}$	$V_{CCI}-0.2$		$V_{CCI}$	V
				$V_{CCI}-0.4$		$V_{CCI}$	V
	B Port I/Os		$V_{CCA}=1.65\text{V}\sim 3.6\text{V}$ , $V_{CCB}=2.3\text{V}\sim 5.5\text{V}$	$V_{CCI}-0.4$		$V_{CCI}$	V
	OE Input			$V_{CCA}\times 0.65$		5.5	V
Low-Level Input Voltage	A Port I/Os	$V_{IL}$	$V_{CCA}=1.65\text{V}\sim 3.6\text{V}$ , $V_{CCB}=2.3\text{V}\sim 5.5\text{V}$	0		0.15	V
	B Port I/Os			0		0.15	V
	OE Input			0		$V_{CCA}\times 0.35$	V
Input Transition Rise or Fall Rate	A Port I/Os	$\Delta t/\Delta v$	$V_{CCA}=1.65\text{V}\sim 3.6\text{V}$ , $V_{CCB}=2.3\text{V}\sim 5.5\text{V}$			10	ns/V
	B Port I/Os					10	ns/V
	OE Input					10	ns/V
Operating Temperature		$T_A$		-40		+125	°C

- Notes: 1.  $V_{CCI}$  is the supply voltage associated with the input port.  
 2.  $V_{CCO}$  is the supply voltage associated with the output port.  
 3.  $V_{CCA}$  must be less than or equal to  $V_{CCB}$ , and  $V_{CCA}$  must not exceed 3.6V.

■ ELECTRICAL CHARACTERISTICS (T<sub>A</sub>=25°C, unless otherwise specified)

PARAMETER		SYMBOL	TEST CONDITIONS	MIN	TYP	MAX	UNIT
Port A Output High Voltage		V <sub>OHA</sub>	V <sub>CCA</sub> =1.65V~3.6V, V <sub>CCB</sub> =2.3V~5.5V, I <sub>OH</sub> =-20μA, V <sub>IB</sub> ≥ V <sub>CCB</sub> -0.4V	V <sub>CCA</sub> ×0.67			V
Port A Output Low Voltage		V <sub>OLA</sub>	V <sub>CCA</sub> =1.65V~3.6V, V <sub>CCB</sub> =2.3V~5.5V, I <sub>OL</sub> =1mA, V <sub>IB</sub> ≤ 0.15V			0.4	V
Port B Output High Voltage		V <sub>OHB</sub>	V <sub>CCA</sub> =1.65V~3.6V, V <sub>CCB</sub> =2.3V~5.5V, I <sub>OH</sub> =-20μA V <sub>IA</sub> ≥ V <sub>CCA</sub> -0.2V	V <sub>CCB</sub> ×0.67			V
Port B Output Low Voltage		V <sub>OLB</sub>	V <sub>CCA</sub> =1.65V~3.6V, V <sub>CCB</sub> =2.3V~5.5V, I <sub>OL</sub> =1mA, V <sub>IA</sub> ≤ 0.15V			0.4	V
Input Leakage Current	OE	I <sub>I(LEAK)</sub>	V <sub>CCA</sub> =1.65V~3.6V, V <sub>CCB</sub> =2.3V~5.5V			±1	μA
Power OFF Leakage Current	A Port	I <sub>OFF</sub>	V <sub>CCA</sub> =0V, V <sub>CCB</sub> =0V~5.5V			±1	μA
	B Port		V <sub>CCA</sub> =0V~3.6V, V <sub>CCB</sub> =0V			±1	μA
High-Impedance State Output Current	A or B Port	I <sub>OZ</sub>	V <sub>CCA</sub> =1.65V~3.6V, V <sub>CCB</sub> =2.3V~5.5V, OE=GND			±1	μA
Supply Current	I <sub>CCA</sub>	V <sub>I</sub> =V <sub>O</sub> =Open, I <sub>O</sub> =0A	V <sub>CCA</sub> =1.65V~V <sub>CCB</sub> , V <sub>CCB</sub> =2.3V~5.5V			2.4	μA
			V <sub>CCA</sub> =3.6V, V <sub>CCB</sub> =0V			2.2	μA
			V <sub>CCA</sub> =0V, V <sub>CCB</sub> =5.5V			-1	μA
	I <sub>CCB</sub>		V <sub>CCA</sub> =1.65V~V <sub>CCB</sub> , V <sub>CCB</sub> =2.3V~5.5V			12	μA
			V <sub>CCA</sub> =3.6V, V <sub>CCB</sub> =0V			-1	μA
			V <sub>CCA</sub> =0V, V <sub>CCB</sub> =5.5V			1	μA
	I <sub>CCA</sub> +I <sub>CCB</sub>		V <sub>I</sub> =V <sub>CCI</sub> or GND, I <sub>O</sub> =0A	V <sub>CCA</sub> =1.65V~V <sub>CCB</sub> , V <sub>CCB</sub> =2.3V~5.5V			14.4
Input Capacitance	OE	C <sub>IN</sub>	V <sub>CCA</sub> =3.3V, V <sub>CCB</sub> =3.3V		2.5	pF	
Output Capacitance	A Port	C <sub>IO</sub>	V <sub>CCA</sub> =3.3V, V <sub>CCB</sub> =3.3V		5	pF	
	B Port				6	pF	

- Notes: 1. V<sub>CCI</sub> is the supply voltage associated with the input port.  
 2. V<sub>CCO</sub> is the supply voltage associated with the output port.  
 3. V<sub>CCA</sub> must be less than or equal to V<sub>CCB</sub>, and V<sub>CCA</sub> must not exceed 3.6V.

■ SWITCHING CHARACTERISTICS (T<sub>A</sub>=25°C, unless otherwise specified)

PARAMETER		SYMBOL	TEST CONDITIONS		MIN	TYP	MAX	UNIT			
Propagation Delay From Input (A) to Output (B)	Push-Pull Driving	t <sub>PHL</sub>	V <sub>CCA</sub> =1.8V±0.15V	V <sub>CCB</sub> =2.5V±0.2V			5.3	ns			
				V <sub>CCB</sub> =3.3V±0.3V			5.4	ns			
				V <sub>CCB</sub> =5V±0.5V			6.8	ns			
	V <sub>CCB</sub> =2.5V±0.2V			2.3		8.8	ns				
	V <sub>CCB</sub> =3.3V±0.3V			2.4		9.6	ns				
	V <sub>CCB</sub> =5V±0.5V			2.6		10	ns				
	Open-Drain Driving		V <sub>CCA</sub> =2.5V±0.2V	V <sub>CCB</sub> =2.5V±0.2V					3.2	ns	
				V <sub>CCB</sub> =3.3V±0.3V					3.7	ns	
				V <sub>CCB</sub> =5V±0.5V					3.8	ns	
	V <sub>CCB</sub> =2.5V±0.2V			1.7		6.3	ns				
	V <sub>CCB</sub> =3.3V±0.3V			2.0		6.0	ns				
	V <sub>CCB</sub> =5V±0.5V			2.1		5.8	ns				
Push-Pull Driving	V <sub>CCA</sub> =3.3V±0.3V	V <sub>CCB</sub> =3.3V±0.3V					2.4	ns			
		V <sub>CCB</sub> =5V±0.5V					3.1	ns			
		V <sub>CCB</sub> =3.3V±0.3V	1.3		4.2	ns					
V <sub>CCB</sub> =5V±0.5V		1.4		4.6	ns						
Open-Drain Driving		V <sub>CCA</sub> =1.8V±0.15V	V <sub>CCB</sub> =2.5V±0.2V					4.4	ns		
			V <sub>CCB</sub> =3.3V±0.3V					4.5	ns		
	V <sub>CCB</sub> =5V±0.5V						4.7	ns			
V <sub>CCB</sub> =2.5V±0.2V	1.9			5.3	ns						
V <sub>CCB</sub> =3.3V±0.3V	1.1			4.4	ns						
V <sub>CCB</sub> =5V±0.5V	1.2			4.0	ns						
Propagation Delay From Input (B) to Output (A)	Push-Pull Driving	t <sub>PLH</sub>	V <sub>CCA</sub> =2.5V±0.2V	V <sub>CCB</sub> =2.5V±0.2V			3.0	ns			
				V <sub>CCB</sub> =3.3V±0.3V					3.6	ns	
				V <sub>CCB</sub> =5V±0.5V					4.3	ns	
	V <sub>CCB</sub> =2.5V±0.2V			1.8		4.7	ns				
	V <sub>CCB</sub> =3.3V±0.3V			2.6		4.2	ns				
	V <sub>CCB</sub> =5V±0.5V			1.2		4.0	ns				
	Open-Drain Driving		V <sub>CCA</sub> =3.3V±0.3V	V <sub>CCB</sub> =3.3V±0.3V					2.5	ns	
				V <sub>CCB</sub> =5V±0.5V					3.3	ns	
				V <sub>CCB</sub> =3.3V±0.3V	1.0		124	ns			
	V <sub>CCB</sub> =5V±0.5V			1.0		97	ns				
	Push-Pull Driving			V <sub>CCA</sub> =1.8V±0.15V	V <sub>CCB</sub> =2.5V±0.2V					6.8	ns
					V <sub>CCB</sub> =3.3V±0.3V					7.1	ns
V <sub>CCB</sub> =5V±0.5V							7.5	ns			
V <sub>CCB</sub> =2.5V±0.2V	45		260		ns						
V <sub>CCB</sub> =3.3V±0.3V	36		208		ns						
V <sub>CCB</sub> =5V±0.5V	27		198		ns						
Propagation Delay From Input (A) to Output (B)	Push-Pull Driving	t <sub>PLH</sub>	V <sub>CCA</sub> =2.5V±0.2V	V <sub>CCB</sub> =2.5V±0.2V			3.5	ns			
				V <sub>CCB</sub> =3.3V±0.3V					4.1	ns	
				V <sub>CCB</sub> =5V±0.5V					4.4	ns	
	V <sub>CCB</sub> =2.5V±0.2V			43		250	ns				
	V <sub>CCB</sub> =3.3V±0.3V			36		206	ns				
	V <sub>CCB</sub> =5V±0.5V			27		190	ns				
	Open-Drain Driving		V <sub>CCA</sub> =3.3V±0.3V	V <sub>CCB</sub> =3.3V±0.3V					4.2	ns	
				V <sub>CCB</sub> =5V±0.5V					4.4	ns	
				V <sub>CCB</sub> =3.3V±0.3V	36		204	ns			
	V <sub>CCB</sub> =5V±0.5V			28		165	ns				

■ SWITCHING CHARACTERISTICS (Cont.)

PARAMETER		SYMBOL	TEST CONDITIONS		MIN	TYP	MAX	UNIT		
Propagation Delay From Input (B) to Output (A)	Push-Pull Driving	t <sub>PLH</sub>	V <sub>CCA</sub> =1.8V±0.15V	V <sub>CCB</sub> =2.5V±0.2V			5.3	ns		
				V <sub>CCB</sub> =3.3V±0.3V			4.5	ns		
				V <sub>CCB</sub> =5V±0.5V			0.5	ns		
	Open-Drain Driving			V <sub>CCB</sub> =2.5V±0.2V	45		175	ns		
				V <sub>CCB</sub> =3.3V±0.3V	36		140	ns		
				V <sub>CCB</sub> =5V±0.5V	27		102	ns		
	Push-Pull Driving			V <sub>CCB</sub> =2.5V±0.2V			2.5	ns		
				V <sub>CCB</sub> =3.3V±0.3V			1.6	ns		
				V <sub>CCB</sub> =5V±0.5V			1.0	ns		
	Open-Drain Driving		V <sub>CCB</sub> =2.5V±0.2V	44		170	ns			
			V <sub>CCB</sub> =3.3V±0.3V	37		140	ns			
			V <sub>CCB</sub> =5V±0.5V	27		103	ns			
	Push-Pull Driving		V <sub>CCA</sub> =3.3V±0.3V	V <sub>CCB</sub> =3.3V±0.3V			2.5	ns		
				V <sub>CCB</sub> =5V±0.5V			2.6	ns		
				V <sub>CCB</sub> =3.3V±0.3V	3.0		139	ns		
	V <sub>CCB</sub> =5V±0.5V			3.0		105	ns			
	Enable Time From Input (OE) to Output (A or B)			t <sub>en</sub>	V <sub>CCA</sub> =1.8V±0.15V	V <sub>CCB</sub> =2.5V±0.2V			200	ns
						V <sub>CCB</sub> =3.3V±0.3V			200	ns
V <sub>CCB</sub> =5V±0.5V							200	ns		
V <sub>CCA</sub> =2.5V±0.2V		V <sub>CCB</sub> =2.5V±0.2V					200	ns		
		V <sub>CCB</sub> =3.3V±0.3V					200	ns		
		V <sub>CCB</sub> =5V±0.5V				200	ns			
Disable Time From Input (OE) to Output (A or B)	t <sub>dis</sub>	V <sub>CCA</sub> =1.8V±0.15V	V <sub>CCB</sub> =2.5V±0.2V			50	ns			
			V <sub>CCB</sub> =3.3V±0.3V			40	ns			
			V <sub>CCB</sub> =5V±0.5V			35	ns			
		V <sub>CCA</sub> =2.5V±0.2V	V <sub>CCB</sub> =2.5V±0.2V			50	ns			
			V <sub>CCB</sub> =3.3V±0.3V			40	ns			
			V <sub>CCB</sub> =5V±0.5V			35	ns			
Input Rise Time (A Port Rise Time)	Push-Pull Driving	t <sub>rA</sub>	V <sub>CCA</sub> =1.8V±0.15V	V <sub>CCB</sub> =2.5V±0.2V	3.2		9.5	ns		
				V <sub>CCB</sub> =3.3V±0.3V	2.3		9.3	ns		
				V <sub>CCB</sub> =5V±0.5V	2.0		7.6	ns		
	Open-Drain Driving			V <sub>CCB</sub> =2.5V±0.2V	38		165	ns		
				V <sub>CCB</sub> =3.3V±0.3V	30		132	ns		
				V <sub>CCB</sub> =5V±0.5V	22		95	ns		
	Push-Pull Driving			V <sub>CCA</sub> =2.5V±0.2V	V <sub>CCB</sub> =2.5V±0.2V	2.8		7.4	ns	
					V <sub>CCB</sub> =3.3V±0.3V	2.6		6.6	ns	
					V <sub>CCB</sub> =5V±0.5V	1.8		5.6	ns	
	Open-Drain Driving		V <sub>CCB</sub> =2.5V±0.2V		3.0		149	ns		
			V <sub>CCB</sub> =3.3V±0.3V		28		121	ns		
			V <sub>CCB</sub> =5V±0.5V		24		89	ns		
	Push-Pull Driving		V <sub>CCA</sub> =3.3V±0.3V		V <sub>CCB</sub> =3.3V±0.3V	2.3		5.6	ns	
					V <sub>CCB</sub> =5V±0.5V	1.9		4.8	ns	
					V <sub>CCB</sub> =3.3V±0.3V	25		116	ns	
	V <sub>CCB</sub> =5V±0.5V			19		85	ns			



■ SWITCHING CHARACTERISTICS (Cont.)

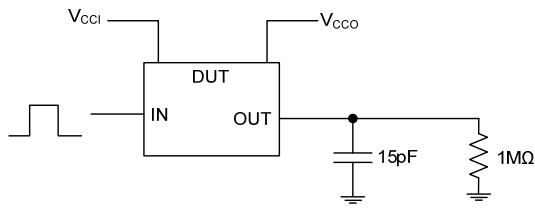
PARAMETER		SYMBOL	TEST CONDITIONS	MIN	TYP	MAX	UNIT	
Input Rise Time (B Port Rise Time)	Push-Pull Driving	$t_{rB}$	$V_{CCA}=1.8V\pm0.15V$	$V_{CCB}=2.5V\pm0.2V$	4.0		10.8	ns
				$V_{CCB}=3.3V\pm0.3V$	2.7		9.1	ns
				$V_{CCB}=5V\pm0.5V$	2.7		7.6	ns
	Open-Drain Driving			$V_{CCB}=2.5V\pm0.2V$	34		145	ns
				$V_{CCB}=3.3V\pm0.3V$	23		106	ns
				$V_{CCB}=5V\pm0.5V$	10		58	ns
	Push-Pull Driving		$V_{CCA}=2.5V\pm0.2V$	$V_{CCB}=2.5V\pm0.2V$	3.2		8.3	ns
				$V_{CCB}=3.3V\pm0.3V$	2.9		7.2	ns
				$V_{CCB}=5V\pm0.5V$	2.4		6.1	ns
	Open-Drain Driving			$V_{CCB}=2.5V\pm0.2V$	35		151	ns
				$V_{CCB}=3.3V\pm0.3V$	24		112	ns
				$V_{CCB}=5V\pm0.5V$	12		64	ns
	Push-Pull Driving		$V_{CCA}=3.3V\pm0.3V$	$V_{CCB}=3.3V\pm0.3V$	2.5		6.4	ns
				$V_{CCB}=5V\pm0.5V$	2.1		7.4	ns
				Open-Drain Driving	$V_{CCB}=3.3V\pm0.3V$	26		116
	$V_{CCB}=5V\pm0.5V$				14		72	ns
	Input Fall Time (A Port Fall Time)			Push-Pull Driving	$t_{fA}$	$V_{CCA}=1.8V\pm0.15V$	$V_{CCB}=2.5V\pm0.2V$	2.0
$V_{CCB}=3.3V\pm0.3V$		1.9					6.0	ns
$V_{CCB}=5V\pm0.5V$		1.7					13.3	ns
Open-Drain Driving		$V_{CCB}=2.5V\pm0.2V$	4.4				6.9	ns
		$V_{CCB}=3.3V\pm0.3V$	4.3				6.4	ns
		$V_{CCB}=5V\pm0.5V$	4.2				6.1	ns
Push-Pull Driving		$V_{CCA}=2.5V\pm0.2V$	$V_{CCB}=2.5V\pm0.2V$	1.9			5.7	ns
			$V_{CCB}=3.3V\pm0.3V$	1.9			5.5	ns
			$V_{CCB}=5V\pm0.5V$	1.8			5.3	ns
Open-Drain Driving			$V_{CCB}=2.5V\pm0.2V$	4.4			6.9	ns
			$V_{CCB}=3.3V\pm0.3V$	4.3			6.2	ns
			$V_{CCB}=5V\pm0.5V$	4.2			5.8	ns
Push-Pull Driving		$V_{CCA}=3.3V\pm0.3V$	$V_{CCB}=3.3V\pm0.3V$	2.0			5.4	ns
			$V_{CCB}=5V\pm0.5V$	1.9			5.0	ns
			Open-Drain Driving	$V_{CCB}=3.3V\pm0.3V$		4.3		6.1
$V_{CCB}=5V\pm0.5V$				4.2			5.7	ns
Input Fall Time (B Port Fall Time)			Push-Pull Driving	$t_{fB}$		$V_{CCA}=1.8V\pm0.15V$	$V_{CCB}=2.5V\pm0.2V$	2.9
	$V_{CCB}=3.3V\pm0.3V$	2.8					16.2	ns
	$V_{CCB}=5V\pm0.5V$	2.8					16.2	ns
	Open-Drain Driving	$V_{CCB}=2.5V\pm0.2V$	6.9				13.8	ns
		$V_{CCB}=3.3V\pm0.3V$	7.5				16.2	ns
		$V_{CCB}=5V\pm0.5V$	7.0				16.2	ns
	Push-Pull Driving	$V_{CCA}=2.5V\pm0.2V$	$V_{CCB}=2.5V\pm0.2V$		2.2		7.8	ns
			$V_{CCB}=3.3V\pm0.3V$		2.4		6.7	ns
			$V_{CCB}=5V\pm0.5V$		2.6		6.6	ns
	Open-Drain Driving		$V_{CCB}=2.5V\pm0.2V$		5.1		8.8	ns
			$V_{CCB}=3.3V\pm0.3V$		5.4		9.4	ns
			$V_{CCB}=5V\pm0.5V$		5.4		10.4	ns
	Push-Pull Driving	$V_{CCA}=3.3V\pm0.3V$	$V_{CCB}=3.3V\pm0.3V$		2.3		7.4	ns
			$V_{CCB}=5V\pm0.5V$		2.4		7.6	ns
			Open-Drain Driving		$V_{CCB}=3.3V\pm0.3V$	5.0		7.6
	$V_{CCB}=5V\pm0.5V$				4.8		8.3	ns

■ SWITCHING CHARACTERISTICS (Cont.)

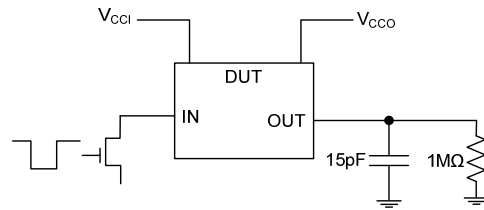
PARAMETER		SYMBOL	TEST CONDITIONS	MIN	TYP	MAX	UNIT
Data Rate	Push-Pull Driving	$f_{data}$	$V_{CCA}=1.8V\pm0.15V$	$V_{CCB}=2.5V\pm0.2V$		21	Mbps
				$V_{CCB}=3.3V\pm0.3V$		22	Mbps
				$V_{CCB}=5V\pm0.5V$		24	Mbps
	Open-drain Driving			$V_{CCB}=2.5V\pm0.2V$		2	Mbps
				$V_{CCB}=3.3V\pm0.3V$		2	Mbps
				$V_{CCB}=5V\pm0.5V$		2	Mbps
Pulse Duration	Push-Pull Driving	$t_w$	$V_{CCA}=1.8V\pm0.15V$	$V_{CCB}=2.5V\pm0.2V$	47		ns
				$V_{CCB}=3.3V\pm0.3V$	45		ns
				$V_{CCB}=5V\pm0.5V$	41		ns
	Open-drain Driving			$V_{CCB}=2.5V\pm0.2V$	500		ns
				$V_{CCB}=3.3V\pm0.3V$	500		ns
				$V_{CCB}=5V\pm0.5V$	500		ns
Data Rate	Push-Pull Driving	$f_{data}$	$V_{CCA}=2.5V\pm0.2V$	$V_{CCB}=2.5V\pm0.2V$		20	Mbps
				$V_{CCB}=3.3V\pm0.3V$		22	Mbps
				$V_{CCB}=5V\pm0.5V$		24	Mbps
	Open-drain Driving			$V_{CCB}=2.5V\pm0.2V$		2	Mbps
				$V_{CCB}=3.3V\pm0.3V$		2	Mbps
				$V_{CCB}=5V\pm0.5V$		2	Mbps
Pulse Duration	Push-Pull Driving	$t_w$	$V_{CCA}=2.5V\pm0.2V$	$V_{CCB}=2.5V\pm0.2V$	50		ns
				$V_{CCB}=3.3V\pm0.3V$	45		ns
				$V_{CCB}=5V\pm0.5V$	41		ns
	Open-drain Driving			$V_{CCB}=2.5V\pm0.2V$	500		ns
				$V_{CCB}=3.3V\pm0.3V$	500		ns
				$V_{CCB}=5V\pm0.5V$	500		ns
Data Rate	Push-Pull Driving	$f_{data}$	$V_{CCA}=3.3V\pm0.3V$	$V_{CCB}=3.3V\pm0.3V$		23	Mbps
				$V_{CCB}=5V\pm0.5V$		24	Mbps
	Open-drain Driving			$V_{CCB}=3.3V\pm0.3V$		2	Mbps
				$V_{CCB}=5V\pm0.5V$		2	Mbps
Pulse Duration	Push-Pull Driving	$t_w$	$V_{CCA}=3.3V\pm0.3V$	$V_{CCB}=3.3V\pm0.3V$	43		ns
				$V_{CCB}=5V\pm0.5V$	41		ns
	Open-drain Driving			$V_{CCB}=3.3V\pm0.3V$	500		ns
				$V_{CCB}=5V\pm0.5V$	500		ns

TEST CIRCUIT AND WAVEFORMS

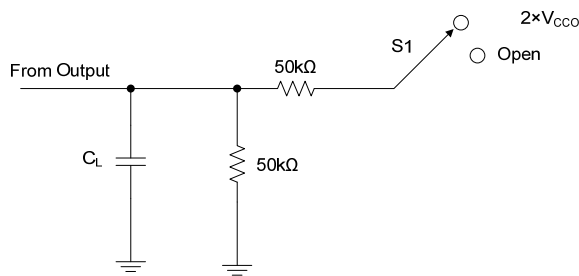
Load Circuits



Data Rate, Pulse Duration, Propagation Delay, Output Rise-Time and Fall-Time Measurement Using a Push-Pull Driver

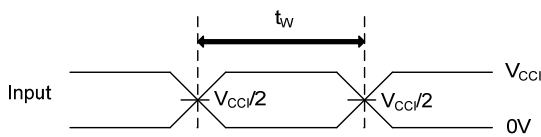


Data Rate, Pulse Duration, Propagation Delay, Output Rise-Time and Fall-Time Measurement Using an Open-Drain Driver

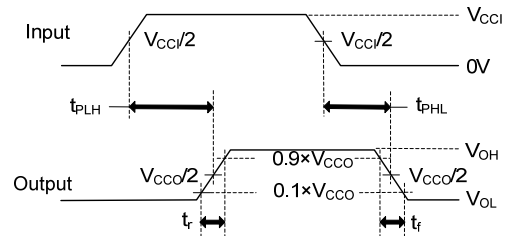


TEST	S1
$t_{PLZ}/t_{PZL}$	$2 \times V_{CCO}$
$t_{PHZ}/t_{PZH}$	Open

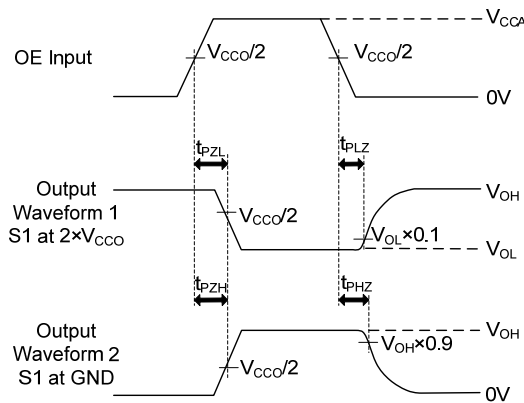
- Notes: 1.  $C_L$  includes probe and jig capacitance.
- 2.  $t_{en}$  is the same as  $t_{PZL}$  and  $t_{PZH}$ .
- 3.  $t_{dis}$  is the same as  $t_{PLZ}$  and  $t_{PHZ}$ .
- 3.  $V_{CC1}$  is the supply voltage associated with the input.
- 4.  $V_{CCO}$  is the supply voltage associated with the output.



PULSE DURATION



PROPAGATION DELAY TIMES



ENABLE AND DISABLE TIMES

## ■ DETAILED DESCRIPTION

### Overview

The **UTXS0102** device is a directionless voltage-level translator specifically designed for translating logic voltage levels. The A port is able to accept I/O voltages ranging from 1.65V to 3.6V, while the B port can accept I/O voltages from 2.3V to 5.5V. The device is a pass gate architecture with edge rate accelerators (one shots) to improve the overall data rate. 10kΩ pull-up resistors, commonly used in open-drain applications, have been conveniently integrated so that an external resistor is not needed. While this device is designed for open-drain applications, the device can also translate push-pull CMOS logic outputs.

### Architecture

The **UTXS0102** architecture does not require a direction-control signal to control the direction of data flow from A to B or from B to A.

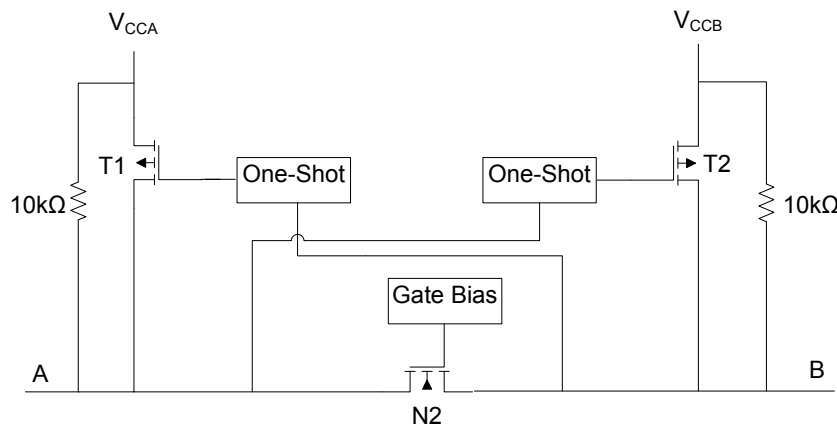


Figure 1. Architecture of UTXS0102 I/O Cell

Each A-port I/O has an internal 10kΩ pull up resistor to  $V_{CCA}$ , and each B-port I/O has an internal 10kΩ pull-up resistor to  $V_{CCB}$ . The output one-shots detect rising edges on the A or B ports. During a rising edge, the one-shot turns on the PMOS transistors (T1, T2) for a short duration, which speeds up the low-to-high transition.

### Input Driver Requirements

The fall time ( $t_{fA}$ ,  $t_{fB}$ ) of a signal depends on the output impedance of the external device driving the data I/Os of the **UTXS0102**. Similarly, the  $t_{PHL}$  and max data rates also depend on the output impedance of the external driver. The values for  $t_{fA}$ ,  $t_{fB}$ ,  $t_{PHL}$ , and maximum data rates in the data sheet assume that the output impedance of the external driver is less than 50Ω.

### Power-Up

During operation, ensure that  $V_{CCA} \leq V_{CCB}$  at all times. During power-up sequencing,  $V_{CCA} \geq V_{CCB}$  does not damage the device, so any power supply can be ramped up first.

### Enable and Disable

The **UTXS0102** has an OE input that is used to disable the device by setting OE low, which places all I/Os in the Hi-Z state. The disable time ( $t_{dis}$ ) indicates the delay between the time when OE goes low and when the outputs actually get disabled (Hi-Z). The enable time ( $t_{en}$ ) indicates the amount of time the user must allow for the one-shot circuitry to become operational after OE is taken high.

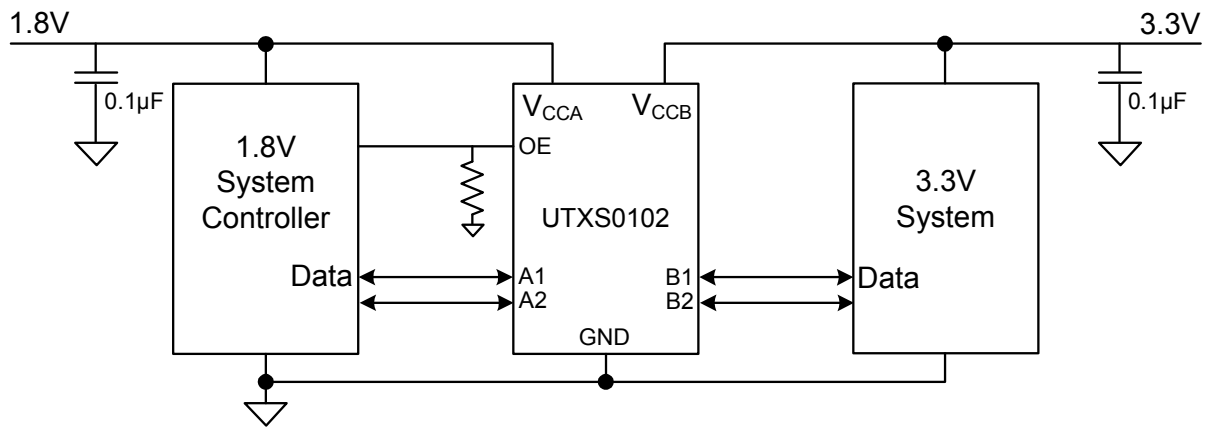
### Pull-up or Pull-down Resistors on I/O Lines

Each A-port I/O has an internal 10kΩ pull-up resistor to  $V_{CCA}$ , and each B-port I/O has an internal 10 kΩ pull-up resistor to  $V_{CCB}$ . If a smaller value of pull-up resistor is required, an external resistor must be added from the I/O to  $V_{CCA}$  or  $V_{CCB}$  (in parallel with the internal 10 kΩ resistors).

### Device Functional Modes

The **UTXS0102** device has two functional modes, enabled and disabled. To disable the device set the OE input low, which places all I/Os in a high impedance state. Setting the OE input high will enable the device.

■ TYPICAL APPLICATION CIRCUIT



UTC assumes no responsibility for equipment failures that result from using products at values that exceed, even momentarily, rated values (such as maximum ratings, operating condition ranges, or other parameters) listed in products specifications of any and all UTC products described or contained herein. UTC products are not designed for use in life support appliances, devices or systems where malfunction of these products can be reasonably expected to result in personal injury. Reproduction in whole or in part is prohibited without the prior written consent of the copyright owner. UTC reserves the right to make changes to information published in this document, including without limitation specifications and product descriptions, at any time and without notice. This document supersedes and replaces all information supplied prior to the publication hereof.