

## TFT LCD Approval Specification

# MODEL NO.: V420H2 – L01

Customer: _____
Approved by: _____
Note:

Approved By	TV Head Division	
	Chao-Chun Chung	

Reviewed By	QA Dept.	Product Development Div.
	Hsin-Nan Chen	WT Lin

Prepared By	LCD TV Marketing and Product Management Div.	
	CY Chang	Justin wang

**CONTENTS**

REVISION HISTORY .....	4
1. GENERAL DESCRIPTION .....	5
1.1 OVERVIEW .....	5
1.2 FEATURES .....	5
1.3 APPLICATION .....	5
1.4 GENERAL SPECIFICATIONS .....	5
1.5 MECHANICAL SPECIFICATIONS .....	6
2. ABSOLUTE MAXIMUM RATINGS .....	7
2.1 ABSOLUTE RATINGS OF ENVIRONMENT .....	7
2.2 PACKAGE STORAGE .....	8
2.3 ELECTRICAL ABSOLUTE RATINGS .....	8
2.3.1 TFT LCD MODULE .....	8
2.3.2 BACKLIGHT INVERTER UNIT .....	8
3. ELECTRICAL CHARACTERISTICS .....	9
3.1 TFT LCD MODULE .....	9
3.2 BACKLIGHT CONNECTOR PIN CONFIGURATION .....	12
3.2.1 LAMP SPECIFICATION .....	12
3.2.2 ELECTRICAL SPECIFICATION .....	12
3.2.3 INVERTER INTERFACE CHARACTERISTICS .....	14
4. BLOCK DIAGRAM OF INTERFACE .....	16
4.1 TFT LCD MODULE .....	16
5. INPUT TERMINAL PIN ASSIGNMENT .....	17
5.1 TFT LCD Module Input .....	17
5.3 INVERTER UNIT .....	20
5.4 BLOCK DIAGRAM OF INTERFACE .....	21
5.5 LVDS INTERFACE .....	23
5.6 COLOR DATA INPUT ASSIGNMENT .....	24
6. INTERFACE TIMING .....	25
6.1 INPUT SIGNAL TIMING SPECIFICATIONS .....	25

7. OPTICAL CHARACTERISTICS.....	29
7.1 TEST CONDITIONS.....	29
7.2 OPTICAL SPECIFICATIONS.....	30
8. PRECAUTIONS.....	33
8.1 ASSEMBLY AND HANDLING PRECAUTIONS.....	33
8.2 SAFETY PRECAUTIONS.....	33
9. DEFINITION OF LABELS.....	34
9.1 CMO MODULE LABEL.....	34
10. PACKAGING.....	35
10.1 PACKAGING SPECIFICATIONS.....	35
10.2 PACKAGING METHOD.....	35
11. MECHANICAL CHARACTERISTIC.....	37



## 1. GENERAL DESCRIPTION

### 1.1 OVERVIEW

V420H2-L01 is a 42" TFT Liquid Crystal Display module with 12-CCFL Backlight unit and 2ch-LVDS interface.

This module supports 1920 x 1080 Full HDTV format and can display 16.7M colors (8-bit/color). The inverter module for backlight is built-in.

### 1.2 FEATURES

- High brightness (450 nits)
- High contrast ratio (5000:1)
- Fast response time (Gray to gray average 6.5 ms)
- High color saturation (NTSC 72%)
- Full HDTV (1920 x 1080 pixels) resolution, true HDTV format
- DE (Data Enable) only mode
- LVDS (Low Voltage Differential Signaling) interface
- Optimized response time for 60 Hz frame rate
- Ultra wide viewing angle : Super MVA technology
- RoHS compliance

### 1.3 APPLICATION

- Standard Living Room TVs.
- Public Display Application.
- Home Theater Application.
- MFM Application.

### 1.4 GENERAL SPECIFICATIONS

Item	Specification	Unit	Note
Active Area	930.24(H) x 523.26 (V) (42.02" diagonal)	mm	(1)
Bezel Opening Area	939 (H) x 531 (V)	mm	
Driver Element	a-si TFT active matrix	-	-
Pixel Number	1920 x R.G.B. x 1080	pixel	-
Pixel Pitch(Sub Pixel)	0.1615 (H) x 0.4845 (V)	mm	-
Pixel Arrangement	RGB vertical stripe	-	-
Display Colors	16.7M	color	-
Display Operation Mode	Transmissive mode / Normally black	-	-
Surface Treatment	Anti-Glare coating (Haze 11%)	-	(2)

Note (1) Please refer to the attached drawings in chapter 9 for more information about the front and back outlines.

Note (2) The spec. of the surface treatment is temporarily for this phase. CMO reserves the rights to change this feature.

**1.5 MECHANICAL SPECIFICATIONS**

Item		Min.	Typ.	Max.	Unit	Note
Module Size	Horizontal (H)	982.0	983.0	984.0	mm	(1), (2)
	Vertical (V)	575.0	576.0	577.0	mm	
	Depth (D)	49.8	50.8	51.8	mm	
Weight		-	9800	-	g	-

Note (1) Please refer to the attached drawings for more information of front and back outline dimensions.

Note (2) Module Depth is between bezel to inverter cover.

**2. ABSOLUTE MAXIMUM RATINGS****2.1 ABSOLUTE RATINGS OF ENVIRONMENT**

Item	Symbol	Value		Unit	Note
		Min.	Max.		
Storage Temperature	TST	-20	+60	°C	(1)
Operating Ambient Temperature	TOP	0	50	°C	(1), (2)
Shock (Non-Operating)	SNOP	-	50	G	(3), (5)
Vibration (Non-Operating)	VNOP	-	1.0	G	(4), (5)

Note (1) Temperature and relative humidity range is shown in the figure below.

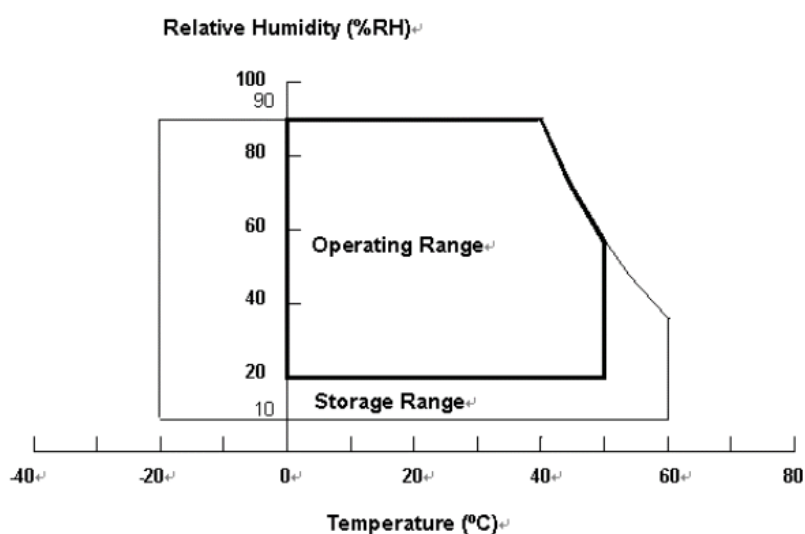
- (a) 90 %RH Max. ( $T_a \leq 40$  °C).
- (b) Wet-bulb temperature should be 39 °C Max. ( $T_a > 40$  °C).
- (c) No condensation.

Note (2) The maximum operating temperature is based on the test condition that the surface temperature of display area is less than or equal to 65 °C with LCD module alone in a temperature controlled chamber. Thermal management should be considered in final product design to prevent the surface temperature of display area from being over 65 °C. The range of operating temperature may degrade in case of improper thermal management in final product design.

Note (3) 11 ms, half sine wave, 1 time for  $\pm X$ ,  $\pm Y$ ,  $\pm Z$ .

Note (4) 10 ~ 200 Hz, 10 min, 1 time each X, Y, Z.

Note (5) At testing Vibration and Shock, the fixture in holding the module has to be hard and rigid enough so that the module would not be twisted or bent by the fixture.



**2.2 PACKAGE STORAGE**

When storing modules as spares for a long time, the following precaution is necessary.

- (a) Do not leave the module in high temperature, and high humidity for a long time, It is highly recommended to store the module with temperature from 0 to 35 °C at normal humidity without condensation.
- (b) The module shall be stroed in dark place. Do not store the TFT-LCD module in direct sunlight or fluorescent light.

**2.3 ELECTRICAL ABSOLUTE RATINGS****2.3.1 TFT LCD MODULE**

Item	Symbol	Value		Unit	Note
		Min.	Max.		
Power Supply Voltage	VCC	-0.3	13.5	V	(1)
Logic Input Voltage	VIN	-0.3	3.6	V	

**2.3.2 BACKLIGHT INVERTER UNIT**

Item	Symbol	Value		Unit	Note
		Min.	Max.		
Lamp Voltage	VW	—	3000	VRMS	
Power Supply Voltage	VBL	0	30	V	(1)
Control Signal Level	—	-0.3	7	V	(1), (3)

Note (1) Permanent damage to the device may occur if maximum values are exceeded. Function operation should be restricted to the conditions described under Normal Operating Conditions.

Note (2) No moisture condensation or freezing.

Note (3) The control signals include On/Off Control and Internal PWM Control.



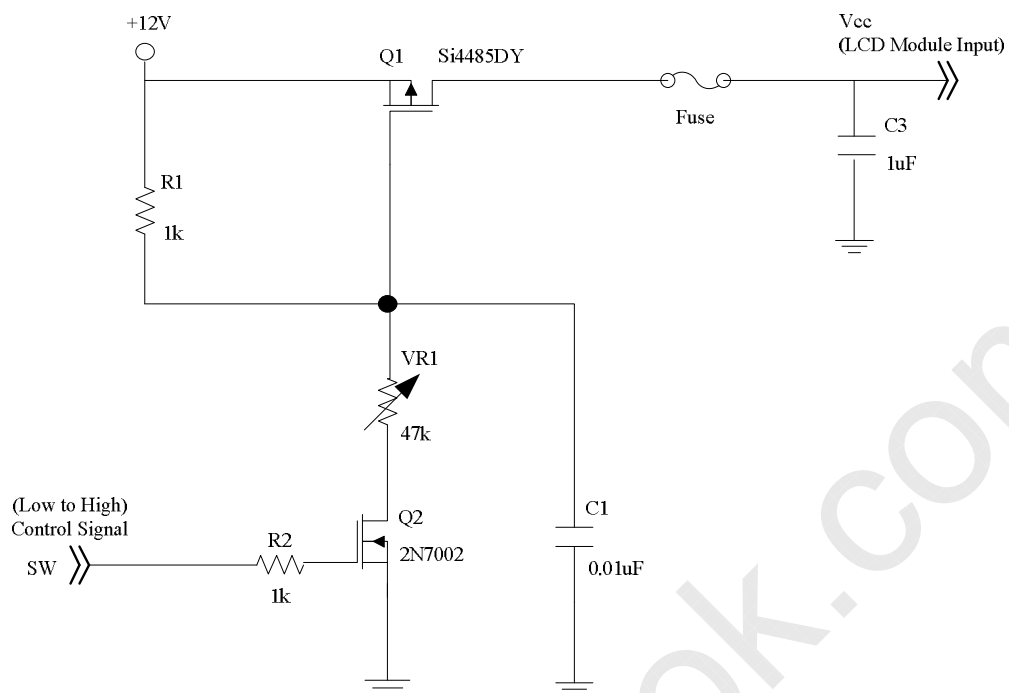
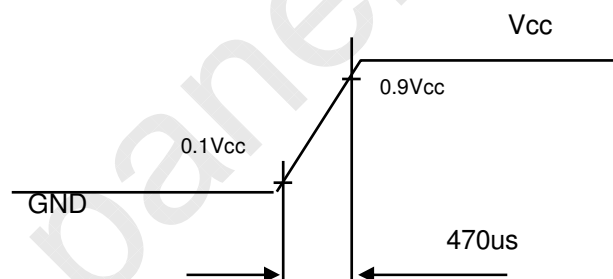
**3. ELECTRICAL CHARACTERISTICS****3.1 TFT LCD MODULE**

(Ta = 25 ± 2 °C)

Parameter		Symbol	Value			Unit	Note
			Min.	Typ.	Max.		
Power Supply Voltage		V <sub>CC</sub>	10.8	12	13.2	V	(1)
Rush Current		I <sub>RUSH</sub>	—	—	3.5	A	(2)
Power Supply Current	White Pattern	—	—	0.98	—	A	(3)
	Horizontal Stripe	—	—	0.98	1.2	A	
	Black Pattern	—	—	0.51	—	A	
LVDS interface	Differential Input High Threshold Voltage	V <sub>LVTH</sub>	+100	—	—	mV	(4)
	Differential Input Low Threshold Voltage	V <sub>LVTL</sub>	—	—	-100	mV	
	Common Input Voltage	V <sub>CM</sub>	1.0	1.2	1.4	V	
	Differential input voltage	V <sub>ID</sub>	200	—	600	mV	
	Terminating Resistor	R <sub>T</sub>	—	100	—	ohm	
CMOS interface	Input High Threshold Voltage	V <sub>IH</sub>	2.7	—	3.3	V	
	Input Low Threshold Voltage	V <sub>IL</sub>	0	—	0.7	V	

Note (1) The module should be always operated within the above ranges.

Note (2) Measurement condition:

**Vcc rising time is 470us**

Note (3) The specified power supply current is under the conditions at  $V_{cc} = 12\text{ V}$ ,  $T_a = 25 \pm 2\text{ }^\circ\text{C}$ ,  $f_v = 60\text{ Hz}$ , whereas a power dissipation check pattern below is displayed.



a. White Pattern

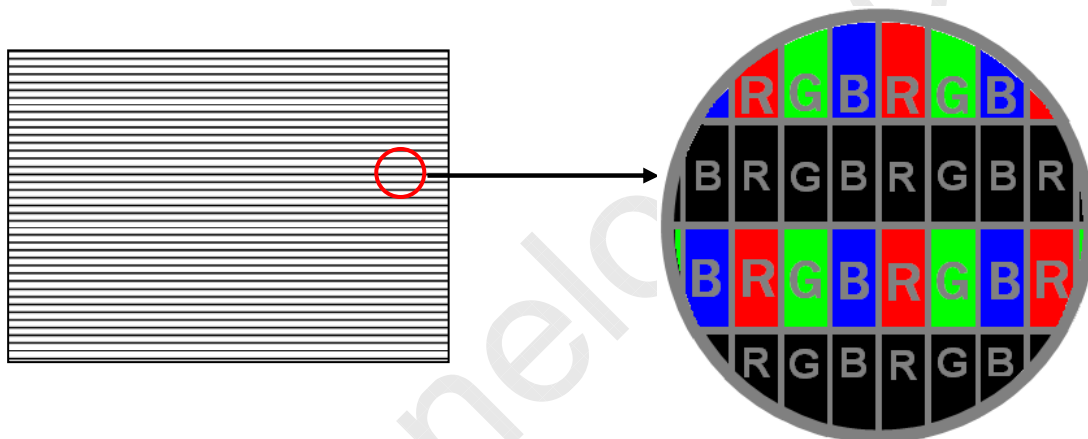


Active Area

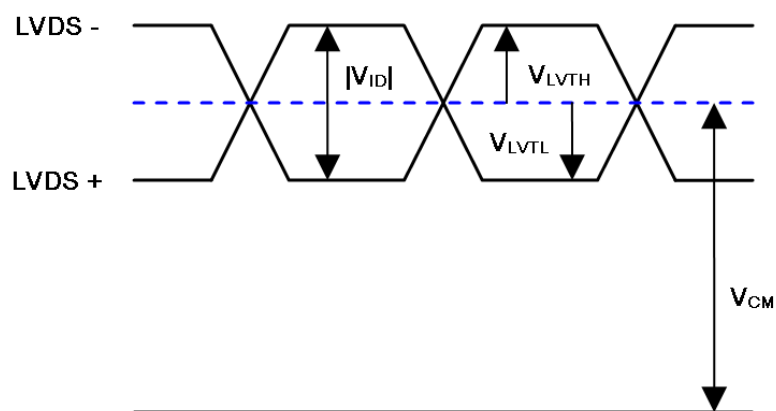
b. Black Pattern



Active Area



Note (4) The LVDS input characteristics are as follows:



**3.2 BACKLIGHT CONNECTOR PIN CONFIGURATION****3.2.1 LAMP SPECIFICATION**

(Ta = 25 ± 2 °C)

Parameter	Symbol	Value			Unit	Note
		Min.	Typ.	Max.		
Lamp Input Voltage	VL	-	1090	-	V <sub>RMS</sub>	
Lamp Current	IL	10.0	10.5	11.0	mA <sub>RMS</sub>	(1)
		8.5	9.0	9.5		
Lamp Turn On Voltage	VS	-	-	1910	V <sub>RMS</sub>	Ta = 0 °C (2)
		-	-	1560	V <sub>RMS</sub>	Ta = 25 °C (2)
Operating Frequency	FL	35	-	70	KHz	(3)
Lamp Life Time	LBL	50,000	-	-	Hrs	(4)

**3.2.2 ELECTRICAL SPECIFICATION**

(Ta = 25 ± 2 °C)

Parameter	Symbol	Value			Unit	Note
		Min.	Typ.	Max.		
Power Consumption	P <sub>BL</sub>	-	130	142	W	(5),(6) IL = 10.5mA
		-	110	122		(5),(6) IL = 9.0mA
Power Supply Voltage	V <sub>BL</sub>	22.8	24.0	25.2	VDC	
Power Supply Current	I <sub>BL</sub>	-	5.4	5.9	A	Non Dimming
		-	4.6	5.1		
Input Ripple Noise	-	-	-	912	mVP-P	V <sub>BL</sub> =22.8V
Oscillating Frequency	F <sub>w</sub>	39	42	45	kHz	(3)
Dimming Frequency	F <sub>B</sub>	150	160	170	Hz	
Minimum Duty Ratio	D <sub>MIN</sub>	-	20	-	%	

Note (1) Lamp current is measured by utilizing AC current probe and its value is average by measuring master and slave board.

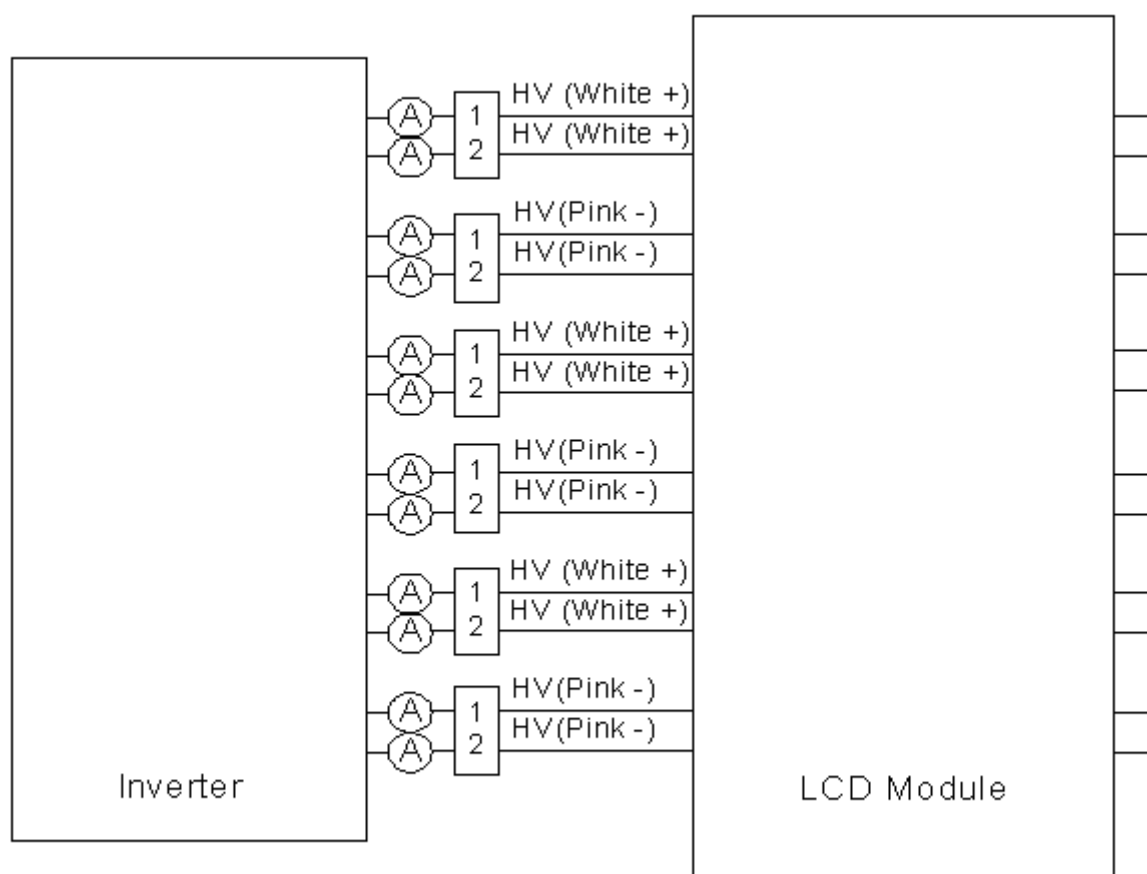
Note (2) The lamp starting voltage V<sub>S</sub> should be applied to the lamp for more than 1 second after startup. Otherwise the lamp may not be turned on.

Note (3) The lamp frequency may produce interference with horizontal synchronous frequency of the display input signals, and it may result in line flow on the display. In order to avoid interference, the lamp frequency should be detached from the horizontal synchronous frequency and its harmonics as far as possible.

Note (4) The life time of a lamp is defined as when the brightness is larger than 50% of its original value and the effective discharge length is longer than 80% of its original length (Effective discharge length is defined as an area that has equal to or more than 70% brightness compared to the brightness at the center point of lamp.) as the time in which it continues to operate under the condition at  $T_a = 25 \pm 2^\circ\text{C}$  and  $I_L = 8.5 \sim 11.0\text{mA}_{\text{rms}}$ .

Note (5) The power supply capacity should be higher than the total inverter power consumption  $P_{\text{BL}}$ . Since the pulse width modulation (PWM) mode was applied for backlight dimming, the driving current changed as PWM duty on and off. The transient response of power supply should be considered for the changing loading when inverter dimming.

Note (6) The measurement condition of Max. value is based on 42" backlight unit under input voltage 24V, average lamp current 9.3 mA & 10.8 mA and lighting 30 minutes later.



**3.2.3 INVERTER INTERFACE CHARACTERISTICS**

Parameter		Symbol	Test Condition	Value			Unit	Note
				Min.	Typ.	Max.		
On/Off Control Voltage	ON	$V_{BLON}$	—	2.0	—	5.0	V	
	OFF		—	0	—	0.8	V	
Internal PWM Control Voltage	MAX	$V_{IPWM}$	—	2.85	3.0	3.15	V	Max. Duty Ratio
	MIN		—	—	0	—	V	Min. Duty Ratio
Status Signal	HI	Status	—	3.0	3.3	3.6	V	Normal
	LO		—	0	—	0.8	V	Abnormal
VBL Rising Time		$Tr1$	—	30	—	—	ms	10%-90% $V_{BL}$
VBL Falling Time		$Tf1$	—	30	—	—	ms	
Control Signal Rising Time		$Tr$	—	—	—	100	ms	
Control Signal Falling Time		$Tf$	—	—	—	100	ms	
PWM Signal Rising Time		$T_{PWMR}$	—	—	—	50	us	
PWM Signal Falling Time		$T_{PWMF}$	—	—	—	50	us	
Input Impedance		$R_{IN}$	—	1	—	—	M $\Omega$	
PWM Delay Time		$T_{PWM}$	—	100	—	—	ms	
BLON Delay Time		$T_{on}$	—	300	—	—	ms	
BLON Off Time		$T_{on1}$	—	300	—	—	ms	

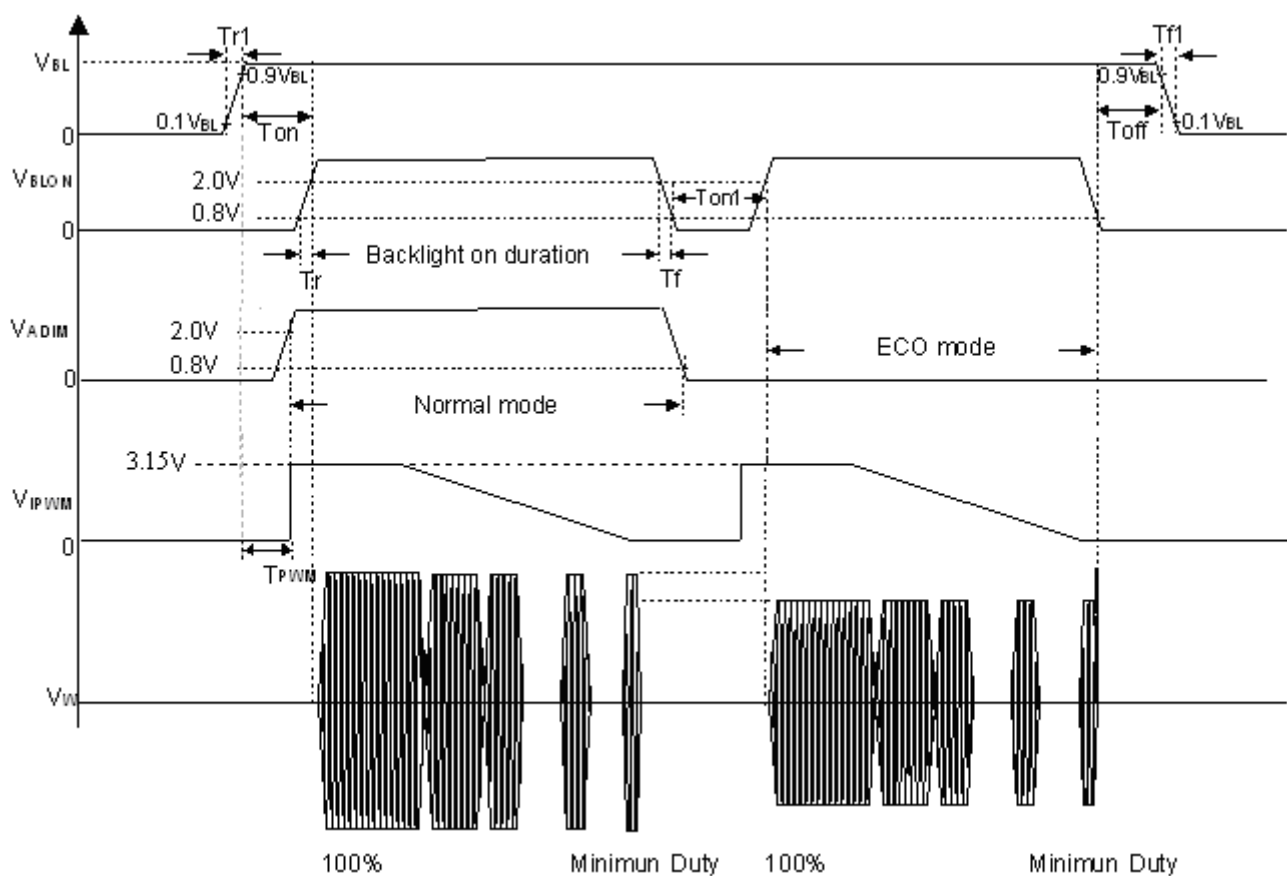
Note (1) The Dimming signal should be valid before backlight turns on by BLON signal. It is inhibited to change the internal/external PWM signal during backlight turn on period.

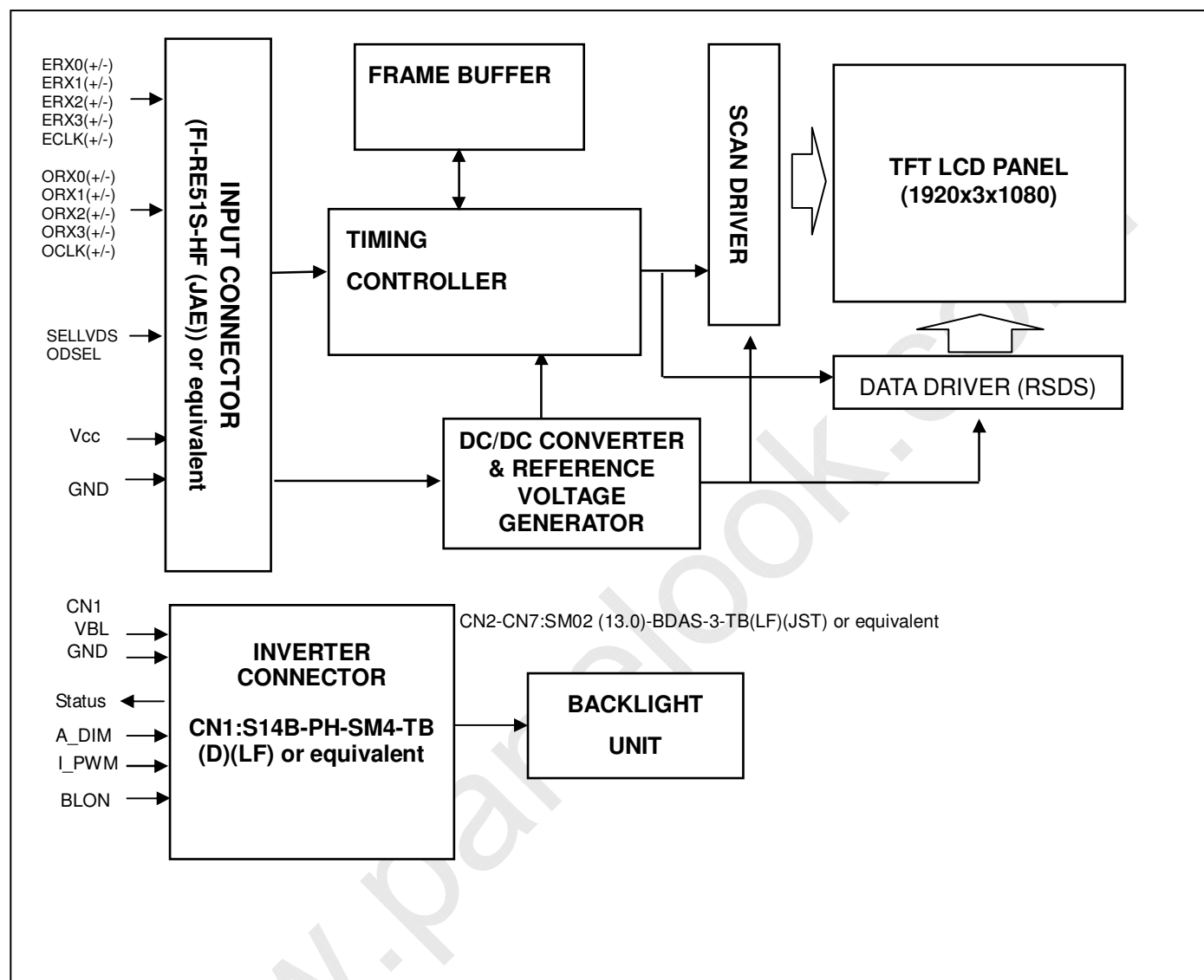
Note (2) The power sequence and control signal timing are shown in the following figure. For a certain reason, the inverter has a possibility to be damaged with wrong power sequence and control signal timing.

Note (3) While system is turned ON or OFF, the power sequences must follow as below descriptions:

Turn ON sequence: VBL → PWM signal → BLON

Turn OFF sequence: BLOFF → PWM signal → VBL



**4. BLOCK DIAGRAM OF INTERFACE****4.1 TFT LCD MODULE**

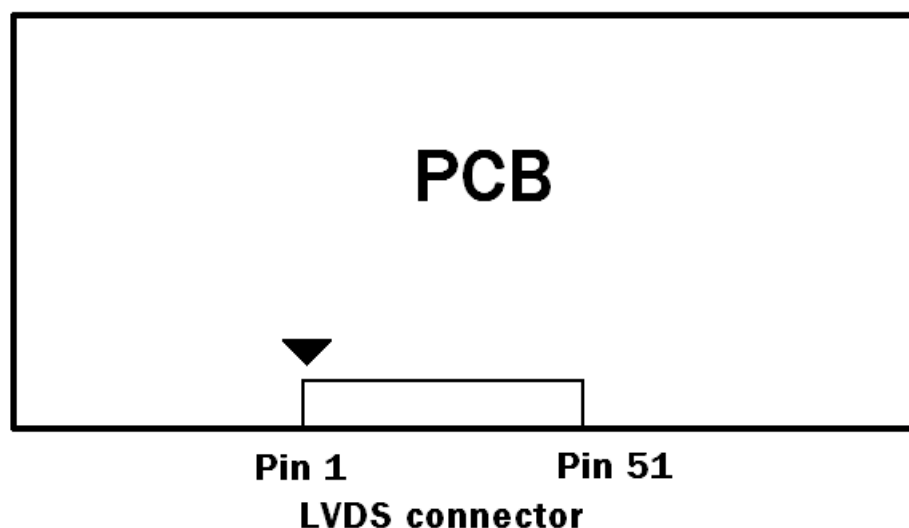


**5. INPUT TERMINAL PIN ASSIGNMENT****5.1 TFT LCD Module Input**

Pin	Name	Description	Note
1	GND	Ground	
2	N.C.	No Connection	
3	N.C.	No Connection	
4	N.C.	No Connection	(2)
5	N.C.	No Connection	
6	N.C.	No Connection	
7	SELLVDS	LVDS data format Selection	(3)(5)
8	N.C.	No Connection	(2)
9	ODSEL	Overdrive Lookup Table Selection	(4)(6)
10	N.C.	No Connection	(2)
11	GND	Ground	
12	ERX0-	Even pixel Negative LVDS differential data input. Channel 0	
13	ERX0+	Even pixel Positive LVDS differential data input. Channel 0	
14	ERX1-	Even pixel Negative LVDS differential data input. Channel 1	(7)
15	ERX1+	Even pixel Positive LVDS differential data input. Channel 1	
16	ERX2-	Even pixel Negative LVDS differential data input. Channel 2	
17	ERX2+	Even pixel Positive LVDS differential data input. Channel 2	
18	GND	Ground	
19	ECLK-	Even pixel Negative LVDS differential clock input	(7)
20	ECLK+	Even pixel Positive LVDS differential clock input	
21	GND	Ground	
22	ERX3-	Even pixel Negative LVDS differential data input. Channel 3	(7)
23	ERX3+	Even pixel Positive LVDS differential data input. Channel 3	
24	N.C.	No Connection	
25	N.C.	No Connection	(2)
26	GND	Ground	
27	GND	Ground	
28	ORX0-	Odd pixel Negative LVDS differential data input. Channel 0	
29	ORX0+	Odd pixel Positive LVDS differential data input. Channel 0	
30	ORX1-	Odd pixel Negative LVDS differential data input. Channel 1	(7)
31	ORX1+	Odd pixel Positive LVDS differential data input. Channel 1	
32	ORX2-	Odd pixel Negative LVDS differential data input. Channel 2	
33	ORX2+	Odd pixel Positive LVDS differential data input. Channel 2	
34	GND	Ground	
35	OCLK-	Odd pixel Negative LVDS differential clock input.	(7)
36	OCLK+	Odd pixel Positive LVDS differential clock input.	
37	GND	Ground	
38	ORX3-	Odd pixel Negative LVDS differential data input. Channel 3	(7)
39	ORX3+	Odd pixel Positive LVDS differential data input. Channel 3	
40	N.C.	No Connection	
41	N.C.	No Connection	(2)
42	GND	Ground	
43	GND	Ground	
44	GND	Ground	
45	GND	Ground	
46	GND	Ground	
47	N.C.	No Connection	(2)

48	VCC	+12V power supply	
49	VCC	+12V power supply	
50	VCC	+12V power supply	
51	VCC	+12V power supply	

Note (1) LVDS connector pin order defined as follows



Note (2) Reserved for internal use. Please leave it open.

Note (3) Low = Open or connect to GND: VESA Format, High = Connect to +3.3V: JEIDA Format.

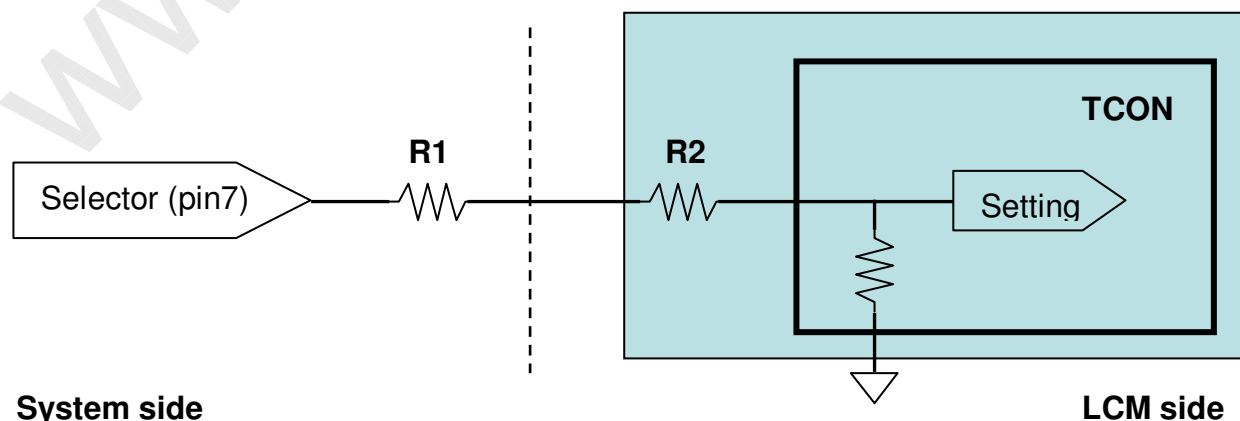
Note (4) Overdrive lookup table selection. The overdrive lookup table should be selected in accordance with the frame rate to optimize image quality.

Low = Open or connect to GND, High = Connect to +3.3V

ODSEL	Note
L or open	Lookup table was optimized for 60 Hz frame rate.
H	Lookup table was optimized for 50 Hz frame rate.

Note (5) LVDS signal pin connected to the LCM side has the following diagram.

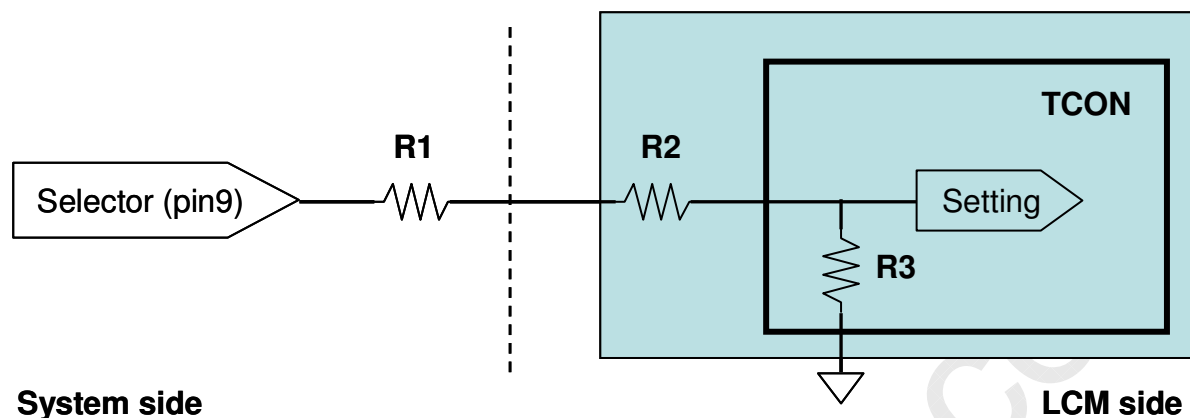
R1 in the system side should be less than 1K Ohm. ( $R1 < 1K \text{ Ohm}$ )



System side:  $R1 < 1K$

Note (6) ODSEL signal pin connected to the LCM side has the following diagram.

R1 in the system side should be less than 1K Ohm. ( $R1 < 1K \text{ Ohm}$ )



**System side**

**LCM side**

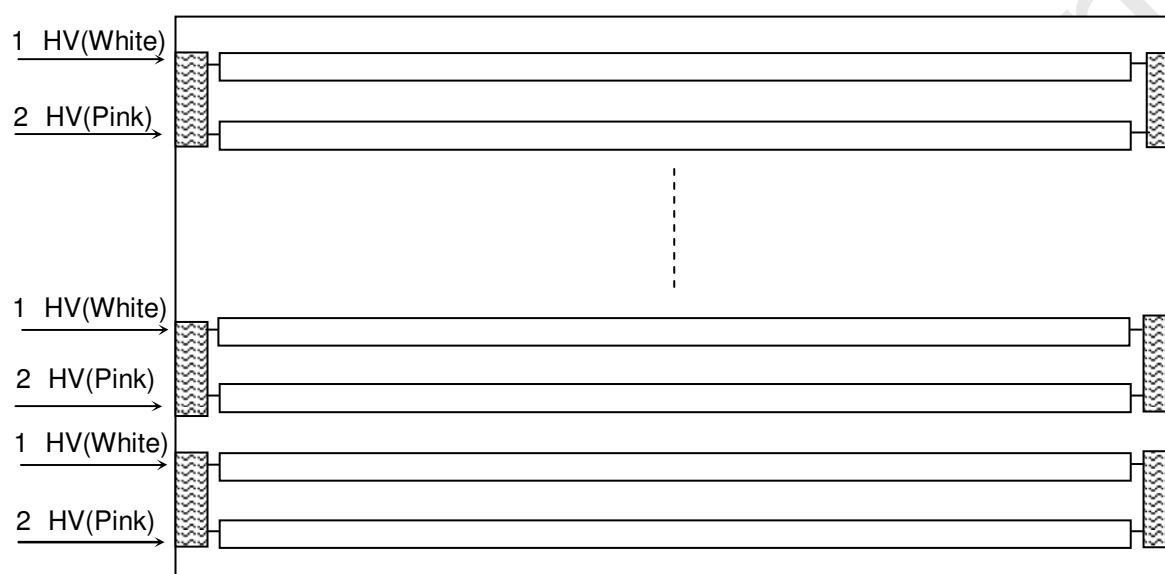
Notes

Note (7) Two pixel data send into the module for every clock cycle. The first pixel of the frame is odd pixel and the second pixel is even pixel.

### 5.2 BACKLIGHT UNIT

The pin configuration for the housing and the leader wire is shown in the table below.

Pin	Name	Description	Wire Color
1	HV	High Voltage	White
2	HV	High Voltage	Pink



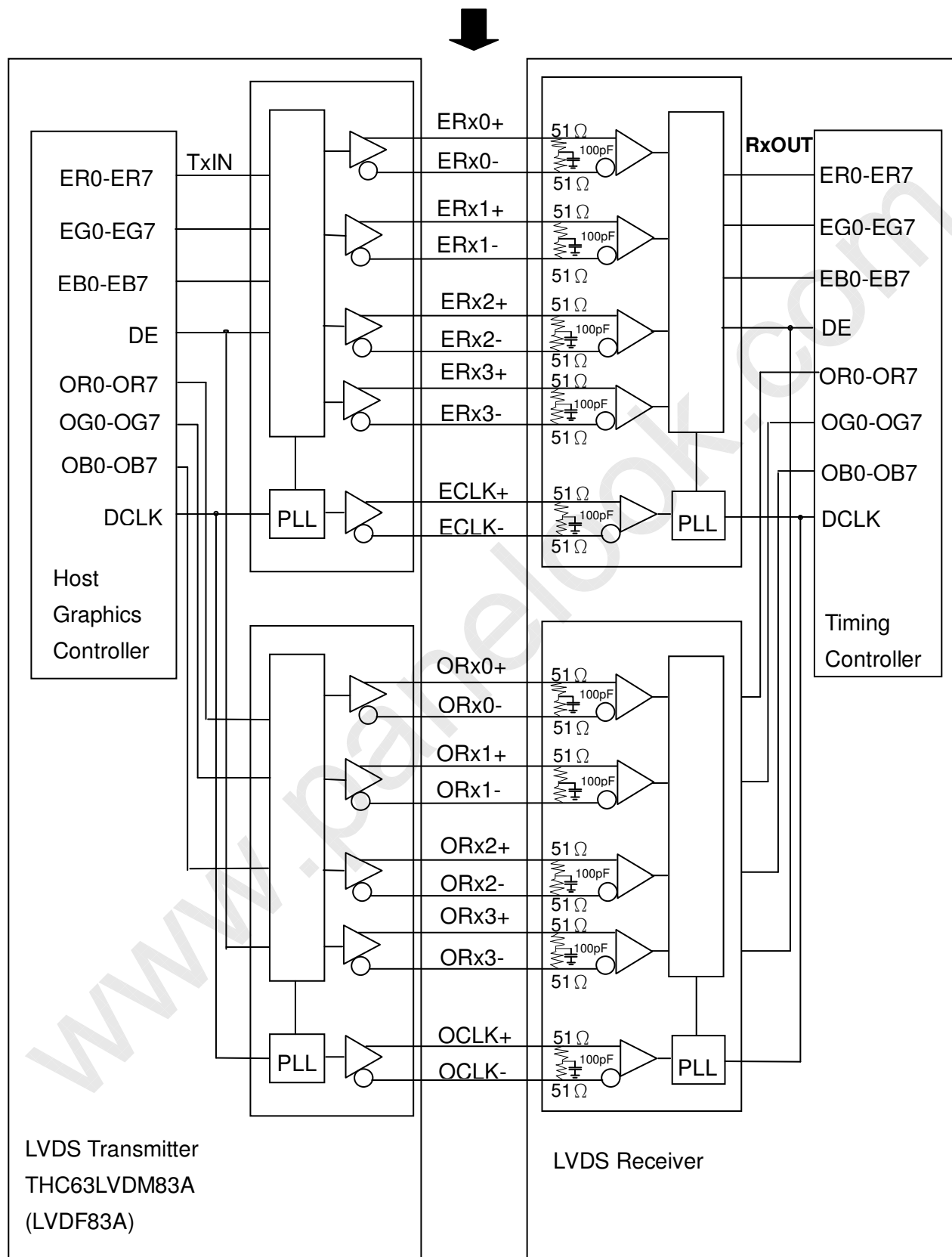
### 5.3 INVERTER UNIT

CN1: S14B-PH-SM3-TB(D)(LF)(JST) or equivalent

Pin No	Symbol	Feature
1	VBL	+24V
2		
3		
4		
5		
6	GND	GND
7		
8		
9		
10		
11	STATUS	Normal (3.3V) Abnormal(GND)
12	A_DIM	Amplitude Dimming Control HI(2.0V~5.0V) LO(0V~0.8V)
13	I_PWM	Internal PWM Control Signal
14	BLON	BL ON/OFF

CN2-CN7: SM02 -BDAS-3-TB(JST) or equivalent

Pin No.	Symbol	Description
1	CCFL HOT	CCFL high voltage
2	CCFL HOT	CCFL high voltage

**5.4 BLOCK DIAGRAM OF INTERFACE**

ER0~ER7: Even pixel R data

EG0~EG7: Even pixel G data

EB0~EB7: Even pixel B data

OR0~OR7: Odd pixel R data

OG0~OG7: Odd pixel G data

OB0~OB7: Odd pixel B data

DE: Data enable signal

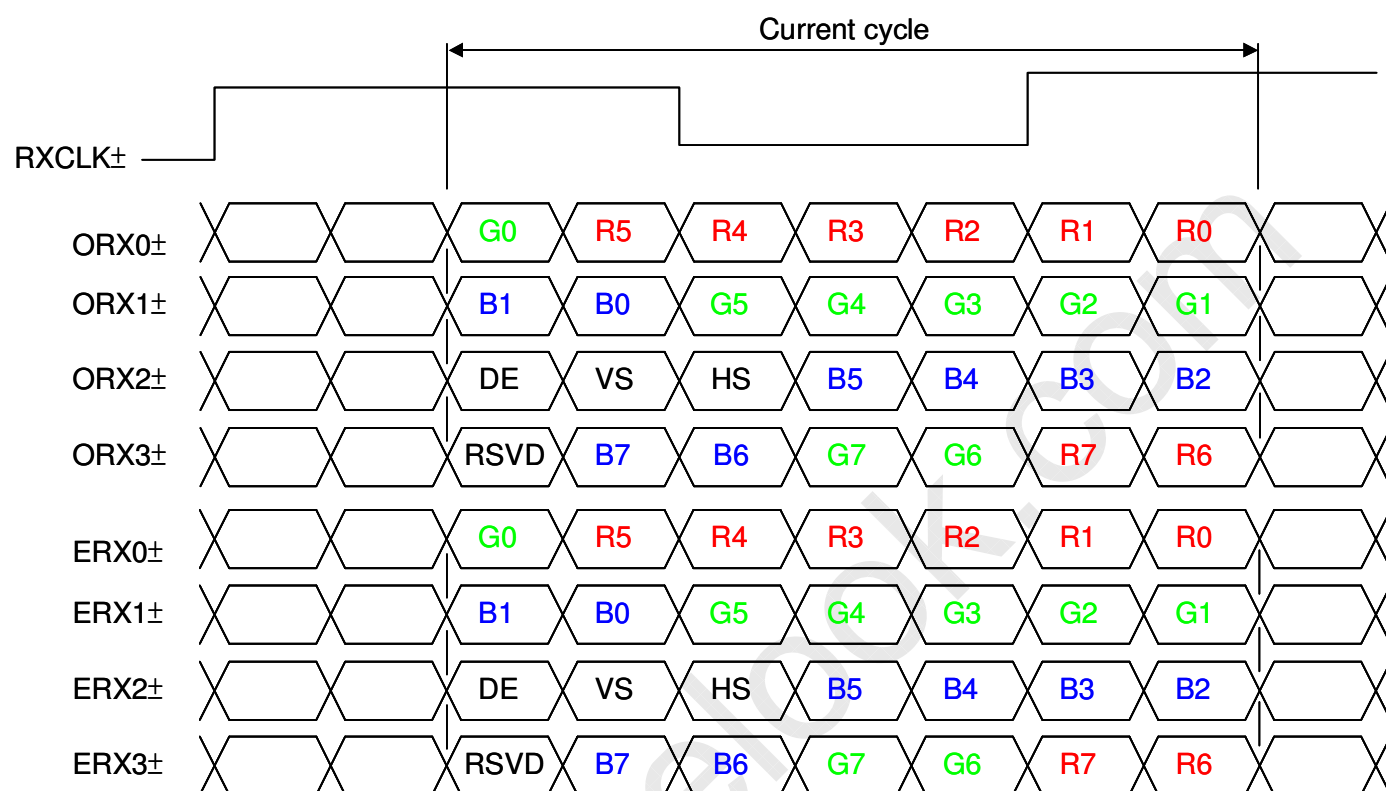
DCLK: Data clock signal

Notes (1) The system must have the transmitter to drive the module.

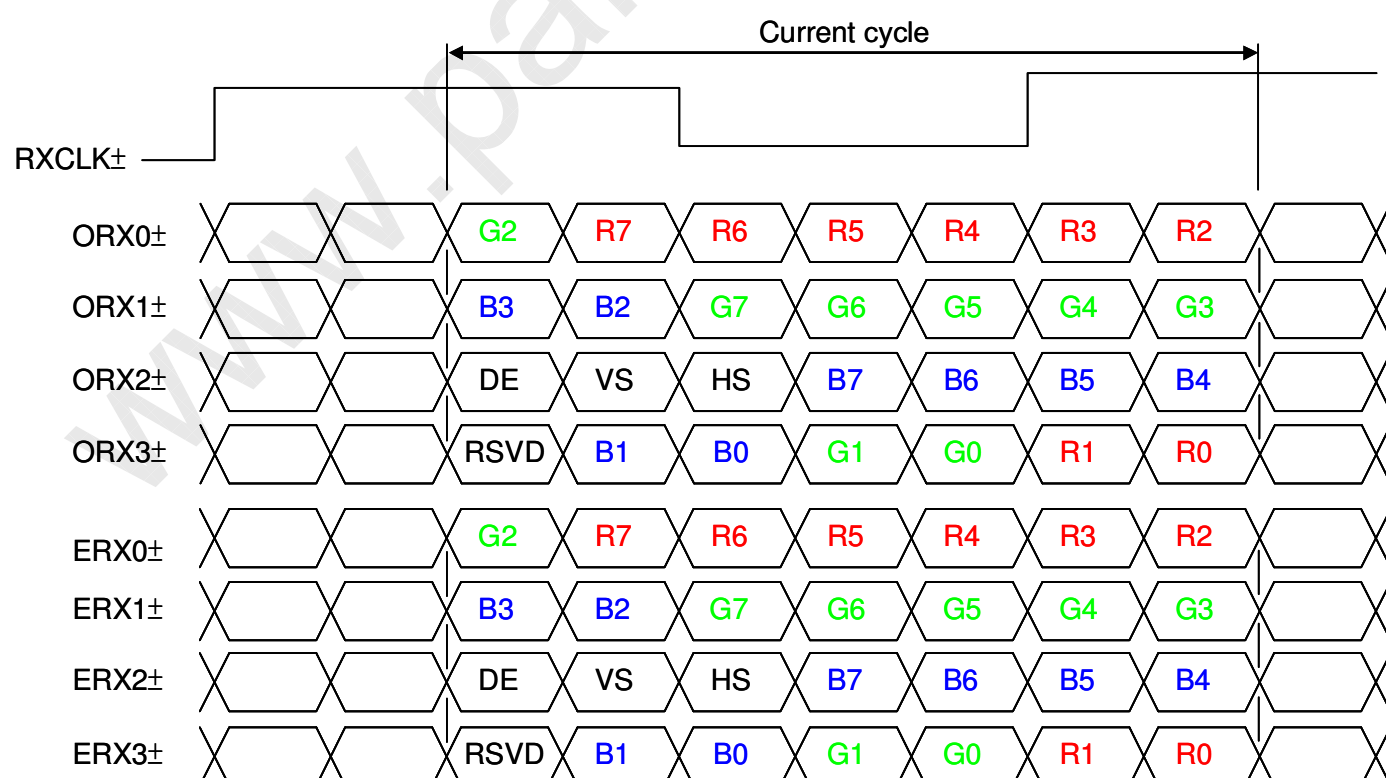
Notes (2) LVDS cable impedance shall be 50 ohms per signal line or about 100 ohms per twist-pair line when it is used differentially.

**5.5 LVDS INTERFACE**

VESA LVDS format : (SELLVDS pin=L or open)



JEDIA LVDS format : (SELLVDS pin=H)



R0~R7: Pixel R Data (7; MSB, 0; LSB)

G0~G7: Pixel G Data (7; MSB, 0; LSB)

B0~B7: Pixel B Data (7; MSB, 0; LSB)

DE : Data enable signal

DCLK : Data clock signal

Notes: (1) RSVD (reserved) pins on the transmitter shall be "H" or "L".

**5.6 COLOR DATA INPUT ASSIGNMENT**

The brightness of each primary color (red, green and blue) is based on the 8-bit gray scale data input for the color. The higher the binary input, the brighter the color. The table below provides the assignment of the color versus data input.

Color		Data Signal																							
		Red								Green								Blue							
		R7	R6	R5	R4	R3	R2	R1	R0	G7	G6	G5	G4	G3	G2	G1	G0	B7	B6	B5	B4	B3	B2	B1	B0
Basic Colors	Black	0	0	0	0	0	0	0	0	0	0	0	0	0	0	0	0	0	0	0	0	0	0	0	0
	Red	1	1	1	1	1	1	1	1	0	0	0	0	0	0	0	0	0	0	0	0	0	0	0	0
	Green	0	0	0	0	0	0	0	0	1	1	1	1	1	1	1	1	0	0	0	0	0	0	0	0
	Blue	0	0	0	0	0	0	0	0	0	0	0	0	0	0	0	0	1	1	1	1	1	1	1	1
	Cyan	0	0	0	0	0	0	0	0	1	1	1	1	1	1	1	1	1	1	1	1	1	1	1	1
	Magenta	1	1	1	1	1	1	1	1	0	0	0	0	0	0	0	0	1	1	1	1	1	1	1	1
	Yellow	1	1	1	1	1	1	1	1	1	1	1	1	1	1	1	1	0	0	0	0	0	0	0	0
	White	1	1	1	1	1	1	1	1	1	1	1	1	1	1	1	1	1	1	1	1	1	1	1	1
Gray Scale Of Red	Red (0) / Dark	0	0	0	0	0	0	0	0	0	0	0	0	0	0	0	0	0	0	0	0	0	0	0	
	Red (1)	0	0	0	0	0	0	0	1	0	0	0	0	0	0	0	0	0	0	0	0	0	0	0	
	Red (2)	0	0	0	0	0	0	1	0	0	0	0	0	0	0	0	0	0	0	0	0	0	0	0	
	⋮	⋮	⋮	⋮	⋮	⋮	⋮	⋮	⋮	⋮	⋮	⋮	⋮	⋮	⋮	⋮	⋮	⋮	⋮	⋮	⋮	⋮	⋮	⋮	
	⋮	⋮	⋮	⋮	⋮	⋮	⋮	⋮	⋮	⋮	⋮	⋮	⋮	⋮	⋮	⋮	⋮	⋮	⋮	⋮	⋮	⋮	⋮	⋮	
	Red (253)	1	1	1	1	1	1	0	1	0	0	0	0	0	0	0	0	0	0	0	0	0	0	0	
	Red (254)	1	1	1	1	1	1	1	0	0	0	0	0	0	0	0	0	0	0	0	0	0	0	0	
	Red (255)	1	1	1	1	1	1	1	1	0	0	0	0	0	0	0	0	0	0	0	0	0	0	0	
Gray Scale Of Green	Green (0) / Dark	0	0	0	0	0	0	0	0	0	0	0	0	0	0	0	0	0	0	0	0	0	0	0	
	Green (1)	0	0	0	0	0	0	0	0	0	0	0	0	0	0	0	1	0	0	0	0	0	0	0	
	Green (2)	0	0	0	0	0	0	0	0	0	0	0	0	0	0	1	0	0	0	0	0	0	0	0	
	⋮	⋮	⋮	⋮	⋮	⋮	⋮	⋮	⋮	⋮	⋮	⋮	⋮	⋮	⋮	⋮	⋮	⋮	⋮	⋮	⋮	⋮	⋮	⋮	
	⋮	⋮	⋮	⋮	⋮	⋮	⋮	⋮	⋮	⋮	⋮	⋮	⋮	⋮	⋮	⋮	⋮	⋮	⋮	⋮	⋮	⋮	⋮	⋮	
	Green (253)	0	0	0	0	0	0	0	0	1	1	1	1	1	1	0	1	0	0	0	0	0	0	0	
	Green (254)	0	0	0	0	0	0	0	0	1	1	1	1	1	1	1	0	0	0	0	0	0	0	0	
	Green (255)	0	0	0	0	0	0	0	0	1	1	1	1	1	1	1	1	0	0	0	0	0	0	0	
Gray Scale Of Blue	Blue (0) / Dark	0	0	0	0	0	0	0	0	0	0	0	0	0	0	0	0	0	0	0	0	0	0	0	
	Blue (1)	0	0	0	0	0	0	0	0	0	0	0	0	0	0	0	0	0	0	0	0	0	0	1	
	Blue (2)	0	0	0	0	0	0	0	0	0	0	0	0	0	0	0	0	0	0	0	0	0	0	1	
	⋮	⋮	⋮	⋮	⋮	⋮	⋮	⋮	⋮	⋮	⋮	⋮	⋮	⋮	⋮	⋮	⋮	⋮	⋮	⋮	⋮	⋮	⋮	⋮	
	⋮	⋮	⋮	⋮	⋮	⋮	⋮	⋮	⋮	⋮	⋮	⋮	⋮	⋮	⋮	⋮	⋮	⋮	⋮	⋮	⋮	⋮	⋮	⋮	
	Blue (253)	0	0	0	0	0	0	0	0	0	0	0	0	0	0	0	0	1	1	1	1	1	1	0	
	Blue (254)	0	0	0	0	0	0	0	0	0	0	0	0	0	0	0	0	1	1	1	1	1	1	0	
	Blue (255)	0	0	0	0	0	0	0	0	0	0	0	0	0	0	0	0	1	1	1	1	1	1	1	

Note (1) 0: Low Level Voltage, 1: High Level Voltage



**6. INTERFACE TIMING****6.1 INPUT SIGNAL TIMING SPECIFICATIONS**

(Ta = 25 ± 2 °C)

The input signal timing specifications are shown as the following table and timing diagram.

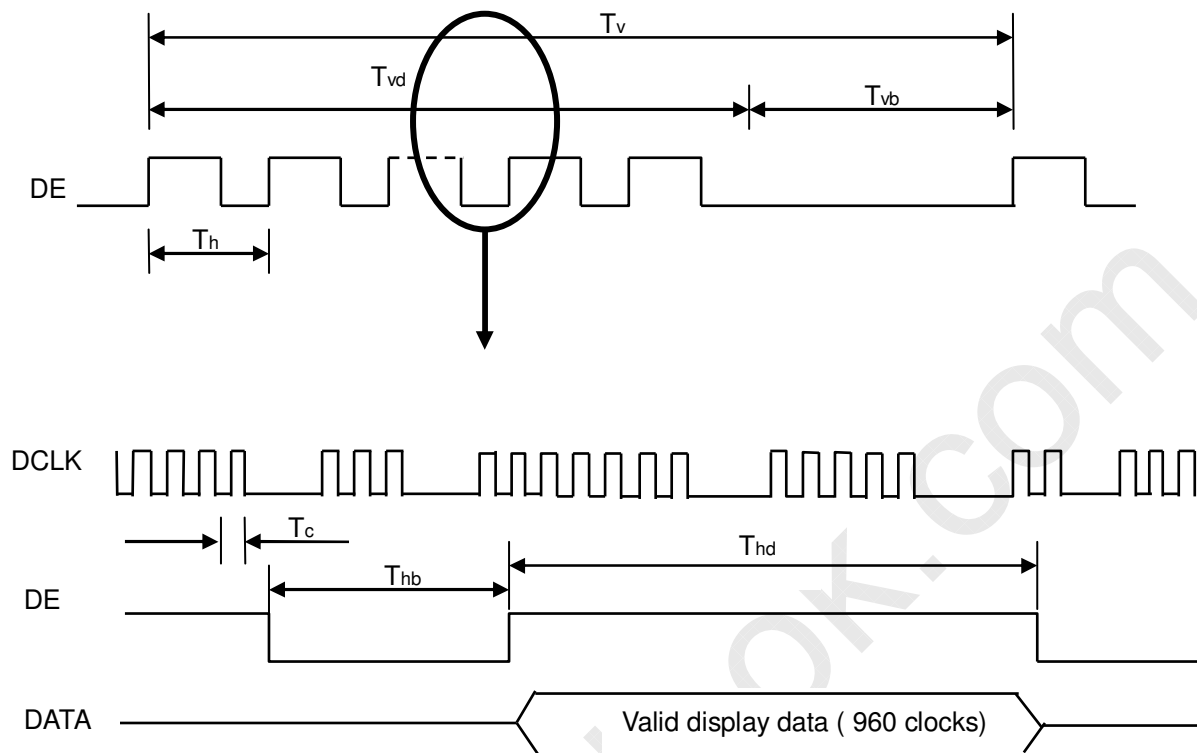
Signal	Item	Symbol	Min.	Typ.	Max.	Unit	Note
LVDS Receiver Clock	Frequency	$F_{clk_{in}}$ (=1/TC)	60	74.25	80	MHz	
	Input cycle to cycle jitter	$T_{rcj}$	—	—	200	ps	(3)
	Spread spectrum modulation range	$F_{clk_{in\_mod}}$	$F_{clk_{in}}-2\%$	—	$F_{clk_{in}}+2\%$	MHz	(4)
	Spread spectrum modulation frequency	$F_{SSM}$			200	KHz	
LVDS Receiver Data	Setup Time	$T_{lvsu}$	600	—	—	ps	(5)
	Hold Time	$T_{lvhd}$	600	—	—	ps	
Vertical Active Display Term	Frame Rate	$F_{r5}$	47	50	53	Hz	(6)
		$F_{r6}$	57	60	63	Hz	
	Total	$T_v$	1115	1125	1135	Th	$T_v=T_{vd}+T_{vb}$
	Display	$T_{vd}$	1080	1080	1080	Th	—
	Blank	$T_{vb}$	35	45	55	Th	—
Horizontal Active Display Term	Total	$T_h$	1050	1100	1150	Tc	$T_h=T_{hd}+T_{hb}$
	Display	$T_{hd}$	960	960	960	Tc	—
	Blank	$T_{hb}$	90	140	190	Tc	—

Note (1) Please make sure the range of pixel clock has follow the below equation :

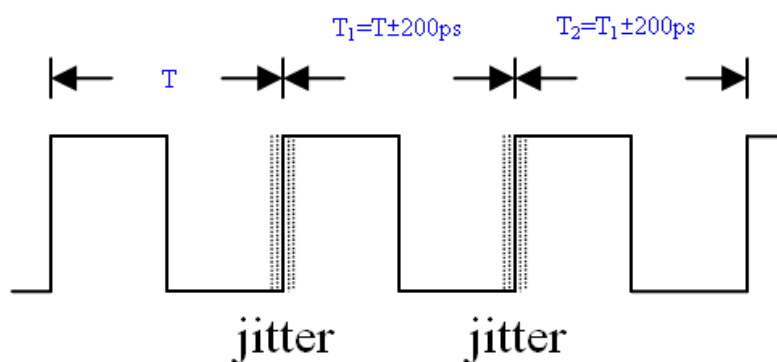
$$F_{clk_{in}(max)} \geq F_{r6} \times T_v \times T_h$$

$$F_{r5} \times T_v \times T_h \geq F_{clk_{in}(min)}$$

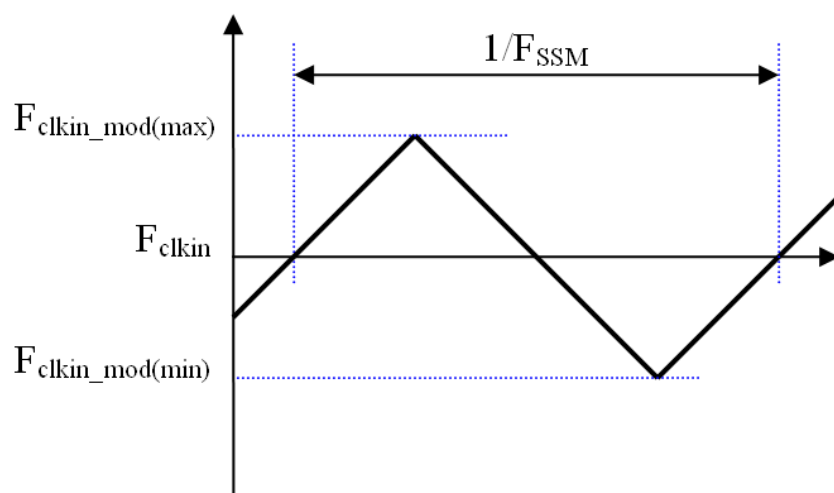
Note (2) This module is operated in DE only mode and please follow the input signal timing diagram below :



Note (3) The input clock cycle-to-cycle jitter is defined as below figures.  $Trcl = |T_1 - T_2|$

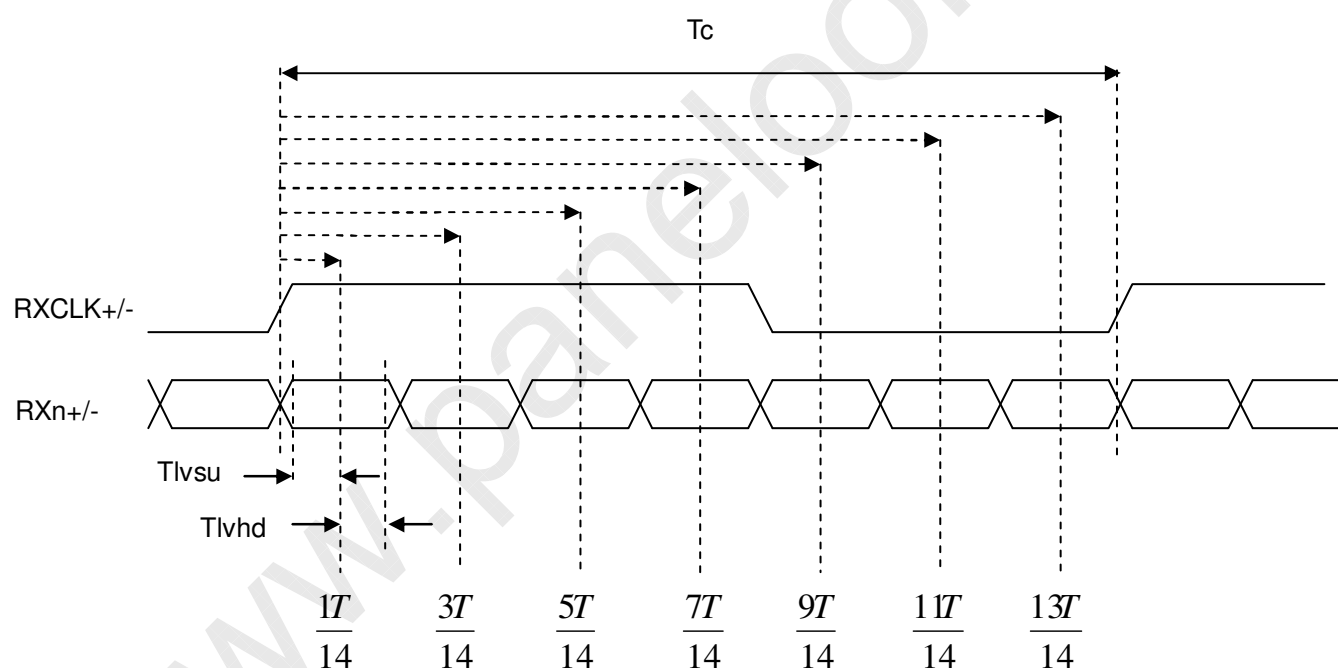


Note (4) The SSCG (Spread spectrum clock generator) is defined as below figures.



Note (5) The LVDS timing diagram and setup/hold time is defined and showing as the following figures.

### LVDS RECEIVER INTERFACE TIMING DIAGRAM

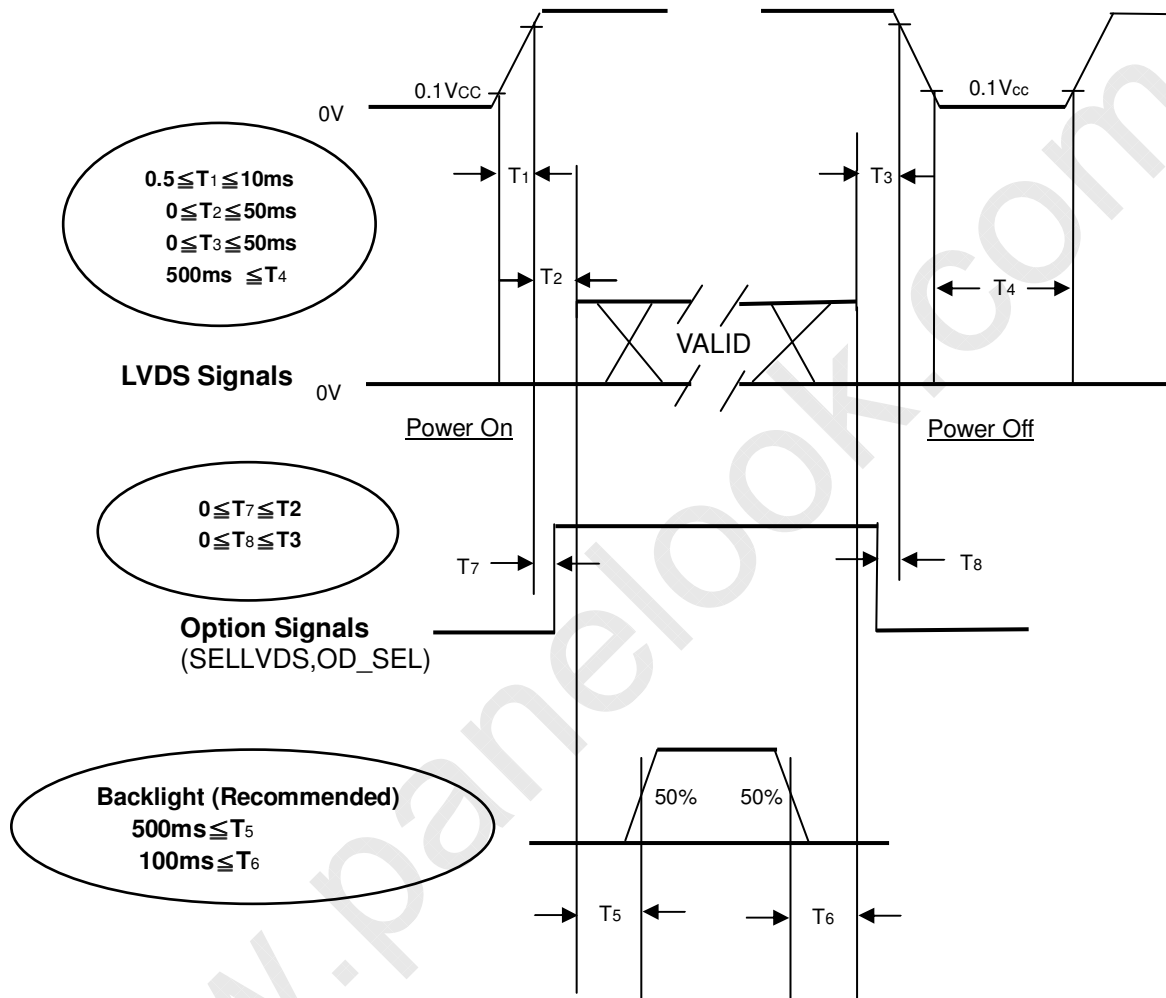


Note (6) : (ODSEL) = H/L or open for 50/60Hz frame rate. Please refer to 5.1 for detail information

**6.2 POWER ON/OFF SEQUENCE**

(Ta = 25 ± 2 °C)

To prevent a latch-up or DC operation of LCD module, the power on/off sequence should be as the diagram below.

**Power ON/OFF Sequence**

Note (1) The supply voltage of the external system for the module input should follow the definition of Vcc.

Note (2) Apply the lamp voltage within the LCD operation range. When the backlight turns on before the LCD operation or the LCD turns off before the backlight turns off, the display may momentarily become abnormal screen.

Note (3) In case of Vcc is in off level, please keep the level of input signals on the low or high impedance. If  $T_2 < 0$ , that maybe cause electrical overstress failure.

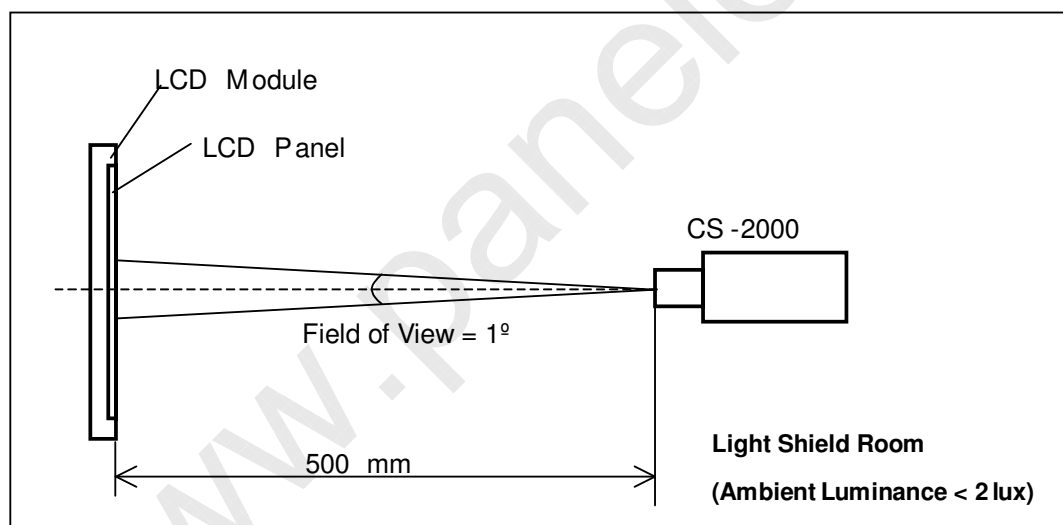
Note (4) T4 should be measured after the module has been fully discharged between power off and on period.

Note (5) Interface signal shall not be kept at high impedance when the power is on.

**7. OPTICAL CHARACTERISTICS****7.1 TEST CONDITIONS**

Item	Symbol	Value	Unit
Ambient Temperature	Ta	25±2	oC
Ambient Humidity	Ha	50±10	%RH
Supply Voltage	VCC	12	V
Input Signal	According to typical value in "3. ELECTRICAL CHARACTERISTICS"		
Lamp Current	IL	10.5/9.0	mA
Oscillating Frequency (Inverter)	FW	42±3	KHz
Vertical Frame Rate	Fr	60	Hz

The LCD module should be stabilized at given temperature for 1 hour to avoid abrupt temperature change during measuring. In order to stabilize the luminance, the measurement should be executed after lighting backlight for 1 hour in a windless room.



**7.2 OPTICAL SPECIFICATIONS**

The relative measurement methods of optical characteristics are shown in 7.2. The following items should be measured under the test conditions described in 7.1 and stable environment shown in 7.1.

Item		Symbol	Condition	Min.	Typ.	Max.	Unit	Note
Contrast Ratio		CR	$\theta_x=0^\circ, \theta_y=0^\circ$ Viewing angle at normal direction	3700	5000	-	-	Note (2)
Response Time		Gray to gray		-	6.5	12	ms	Note (3)
Center Luminance of White	Normal Mode	LC		360	450		cd/m <sup>2</sup>	Note (4)
	ECO Mode	LC		320	400			Note (7)
White Variation		$\delta W$		-	-	1.3	-	Note (6)
Cross Talk		CT		-	-	4	%	Note (5)
Color Chromaticity	Red	Rx		Typ. -0.03	Typ. +0.03	0.631	-	-
		Ry				0.321	-	
	Green	Gx				0.286	-	
		Gy				0.603	-	
	Blue	Bx	0.148			-		
		By	0.051			-		
	White	Wx	0.280			-		
		Wy	0.285			-		
Color Gamut		C.G	68	72	-	%	NTSC	
Viewing Angle	Horizontal	$\theta_{x+}$	CR $\geq$ 20	80	88	-	Deg.	Note (1)
		$\theta_{x-}$		80	88	-		
	Vertical	$\theta_{Y+}$		80	88	-		
		$\theta_{Y-}$		80	88	-		

Note (1) Definition of Viewing Angle ( $\theta_x, \theta_y$ ):

Viewing angles are measured by Conoscope Cono-80

Note (2) Definition of Contrast Ratio (CR):

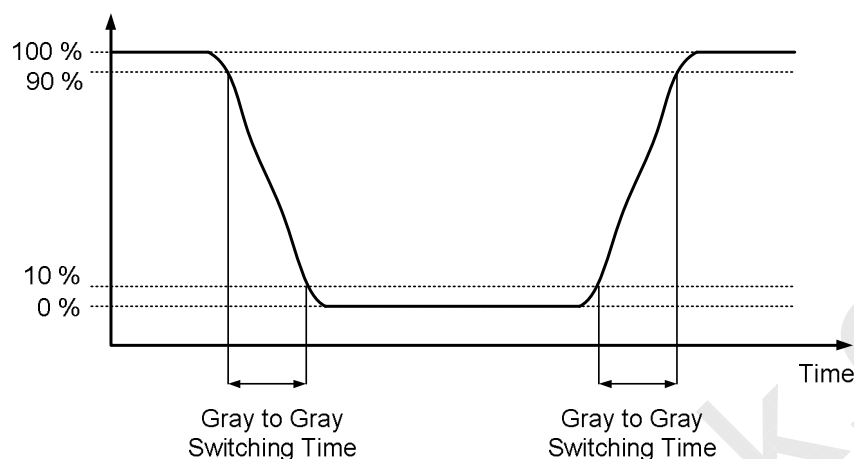
The contrast ratio can be calculated by the following expression.

$$\text{Contrast Ratio (CR)} = \frac{\text{Surface Luminance with all white pixels}}{\text{Surface Luminance with all black pixels}}$$

CR = CR (5), where CR (X) is corresponding to the Contrast Ratio of the point X at the figure in Note (6).

Note (3) Definition of Gray-to-Gray Switching Time:

### Optical Response



The driving signal means the signal of gray level 0, 31, 63, 95, 127, 159, 191, 223 and 255.

Gray to gray average time means the average switching time of gray level 0, 31, 63, 95, 127, 159, 191, 223 and 255 to each other.

Note (4) Definition of Luminance of White ( $L_C$ ,  $L_{AVE}$ ):

Measure the luminance of gray level 255 at center point and 5 points

$L_C = L(5)$ , where  $L(X)$  is corresponding to the luminance of the point  $X$  at the figure in Note (6).

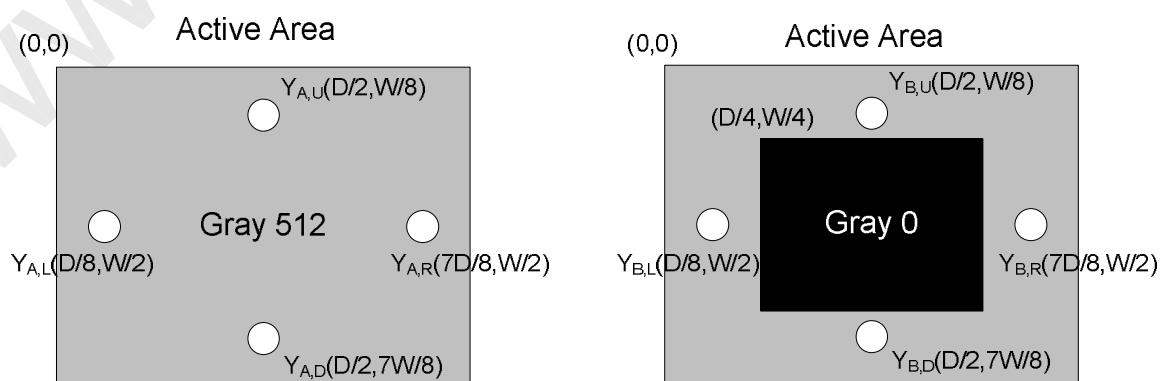
Note (5) Definition of Cross Talk (CT):

$$CT = |Y_B - Y_A| / Y_A \times 100 (\%)$$

Where:

$Y_A$  = Luminance of measured location without gray level 0 pattern (cd/m<sup>2</sup>)

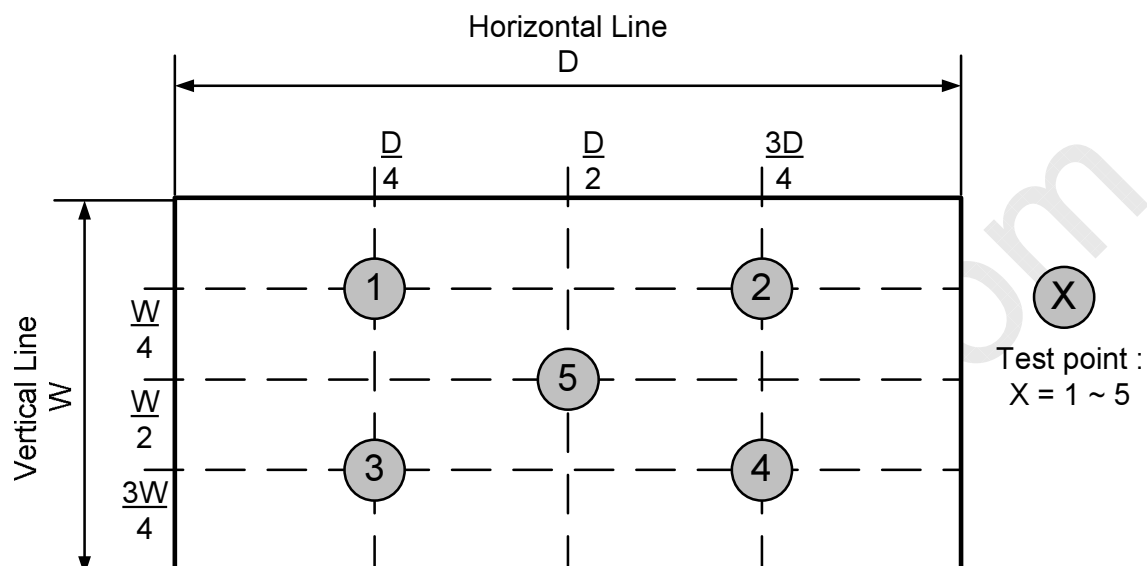
$Y_B$  = Luminance of measured location with gray level 0 pattern (cd/m<sup>2</sup>)



Note (6) Definition of White Variation ( $\delta W$ ):

Measure the luminance of gray level 255 at 5 points

$$\delta W = \text{Maximum [L (1), L (2), L (3), L (4), L (5)]} / \text{Minimum [L (1), L (2), L (3), L (4), L (5)]}$$



Note (7) ECO mode:

ECO mode was selected by inverter pin: A\_DIM.



## 8. PRECAUTIONS

### 8.1 ASSEMBLY AND HANDLING PRECAUTIONS

- [ 1 ] Do not apply rough force such as bending or twisting to the module during assembly.
- [ 2 ] It is recommended to assemble or to install a module into the user's system in clean working areas. The dust and oil may cause electrical short or worsen the polarizer.
- [ 3 ] Do not apply pressure or impulse to the module to prevent the damage of LCD panel and Backlight.
- [ 4 ] Always follow the correct power-on sequence when the LCD module is turned on. This can prevent the damage and latch-up of the CMOS LSI chips.
- [ 5 ] Do not plug in or pull out the I/F connector while the module is in operation.
- [ 6 ] Do not disassemble the module.
- [ 7 ] Use a soft dry cloth without chemicals for cleaning, because the surface of polarizer is very soft and easily scratched.
- [ 8 ] Moisture can easily penetrate into LCD module and may cause the damage during operation.
- [ 9 ] When storing modules as spares for a long time, the following precaution is necessary.
  - [ 9.1 ] Do not leave the module in high temperature, and high humidity for a long time. It is highly recommended to store the module with temperature from 0 to 35°C at normal humidity without condensation.
  - [ 9.2 ] The module shall be stored in dark place. Do not store the TFT-LCD module in direct sunlight or fluorescent light.
- [ 10 ] When ambient temperature is lower than 10°C, the display quality might be reduced. For example, the response time will become slow, and the starting voltage of CCFL will be higher than that of room temperature.

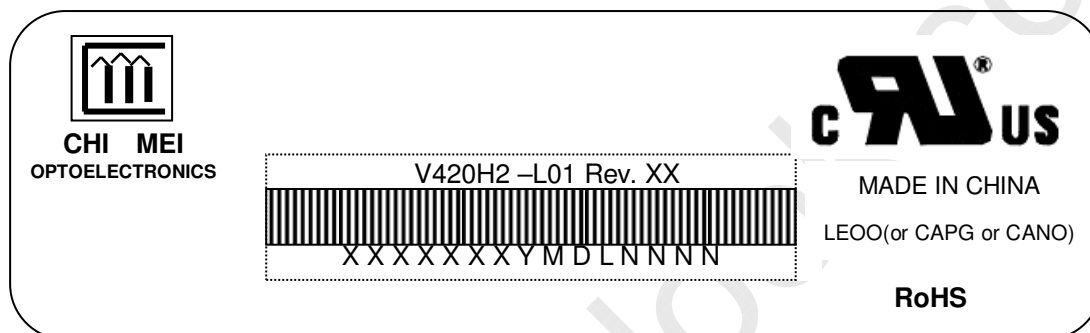
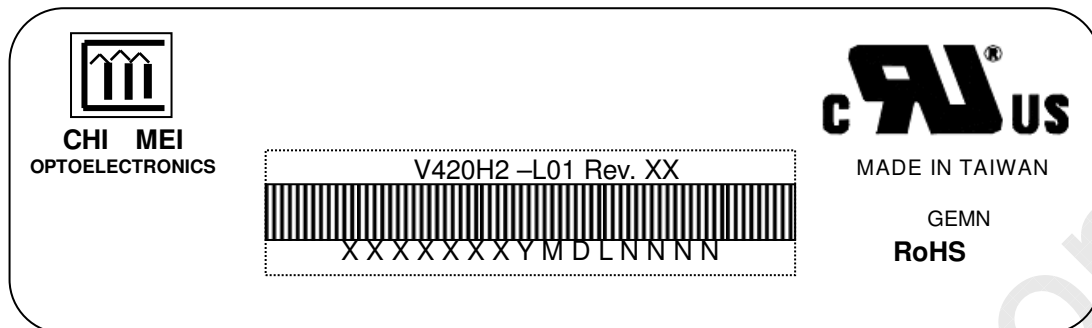
### 8.2 SAFETY PRECAUTIONS

- [ 1 ] The startup voltage of a Backlight is approximately 1000 Volts. It may cause an electrical shock while assembling with the inverter. Do not disassemble the module or insert anything into the Backlight unit.
- [ 2 ] If the liquid crystal material leaks from the panel, it should be kept away from the eyes or mouth. In case of contact with hands, skin or clothes, it has to be washed away thoroughly with soap.
- [ 3 ] After the module's end of life, it is not harmful in case of normal operation and storage.

**9. DEFINITION OF LABELS**

**9.1 CMO MODULE LABEL**

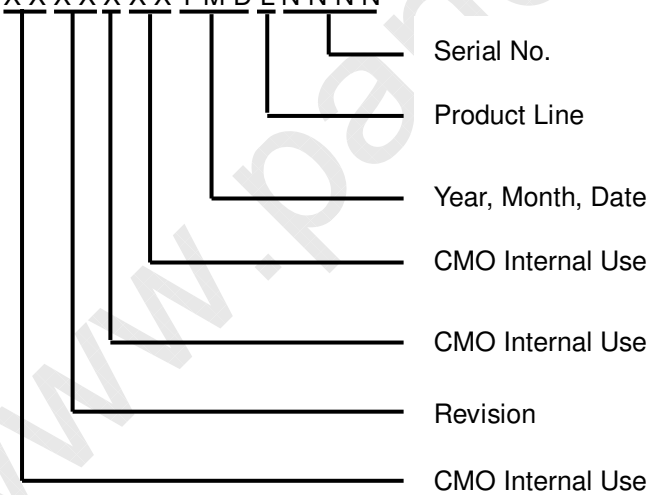
The barcode nameplate is pasted on each module as illustration, and its definitions are as following explanation.



Model Name: V420H2-L01

Revision: Rev. XX, for example: A0, A1... B1, B2... or C1, C2...etc.

Serial ID: X X X X X X Y M D L N N N N



Serial ID includes the information as below:

Manufactured Date:

Year: 2010=0, 2011=1,2012=2...etc.

Month: 1~9, A~C, for Jan. ~ Dec.

Day: 1~9, A~Y, for 1st to 31st, exclude I ,O, and U.

Revision Code: Cover all the change

Serial No.: Manufacturing sequence of product

Product Line: 1 -> Line1, 2 -> Line 2, ...etc.

**10. PACKAGING****10.1 PACKAGING SPECIFICATIONS**

- (1) 4 LCD TV modules / 1 Box
- (2) Box dimensions : 1085(L)x296(W)x653(H)mm
- (3) Weight : Approx. 43Kg(4 modules per carton)

**10.2 PACKAGING METHOD**

Figures 10-1 and 10-2 are the packing method

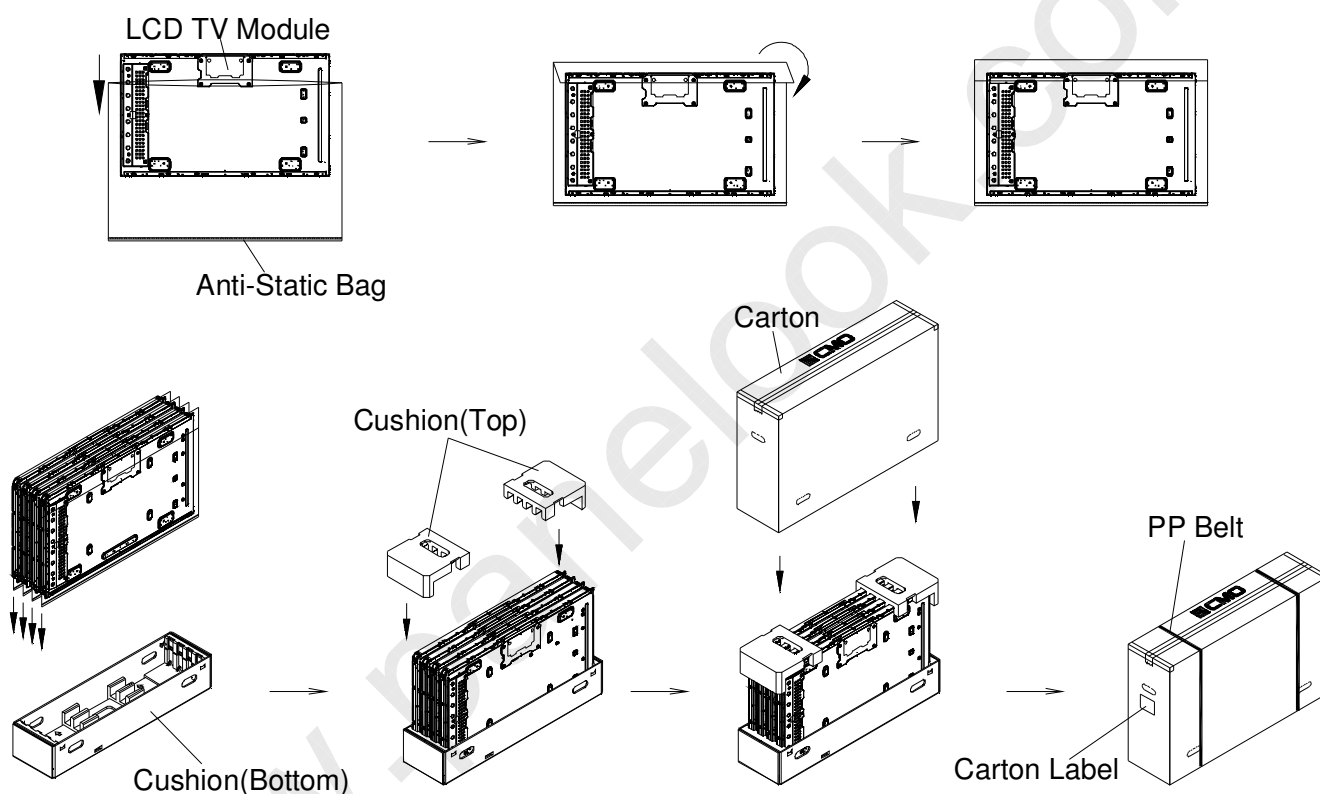


Figure.10-1 packing method

### Sea / Land Transportation (40ft HQ / 40ft Container)

### Air Transportation

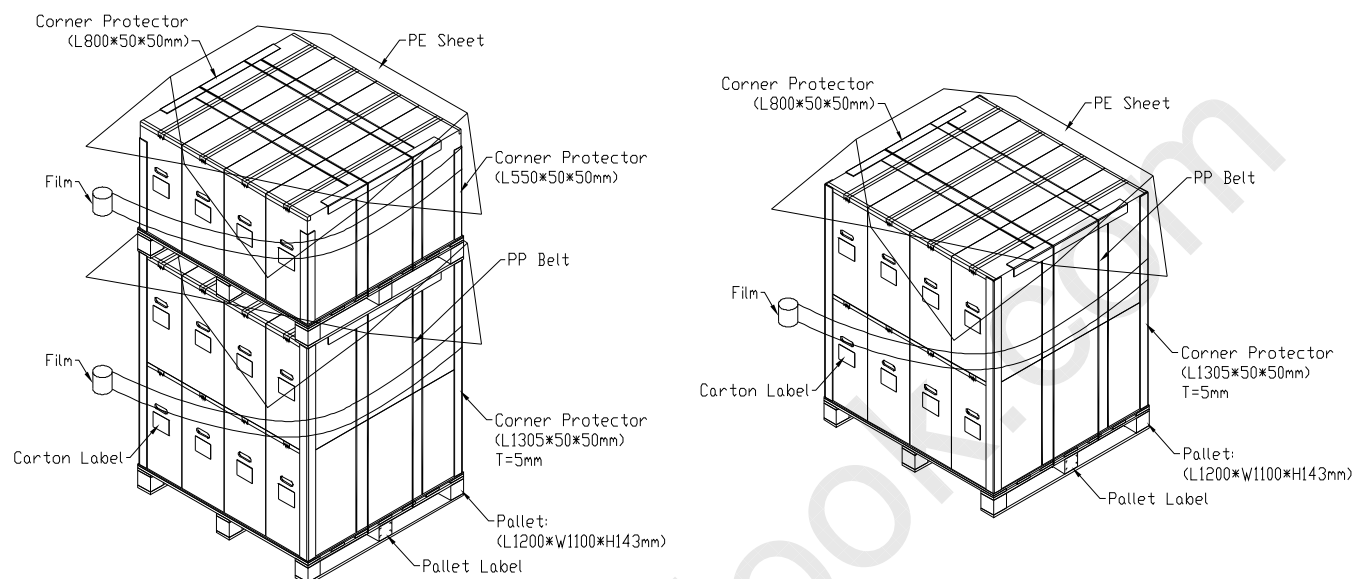


Figure.10-2 packing method

**11. MECHANICAL CHARACTERISTIC**

