



Miniature Variable Attenuator VAC Series

- ◆ DC to 1.5GHz
- ◆ 1 W
- ◆ Resin SMD package
- ◆ Thick Film Chip

Specifications

Frequency Range	DC to 1.5GHz
Attenuation	0 to 15dB
Insertion loss at 0dB	DC to 1GHz 0.6dB
	1GHz to 1.5GHz 1.2dB
Average Power	1 W
Impedance	50 Ohm
Operating Temperature	-40°C to +105°C

Features

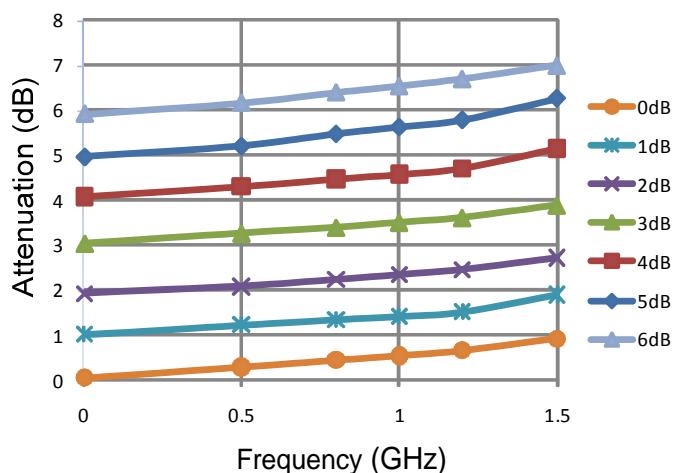
- Continuous variable : 0~15dB
- Power rating : 1W
- Able to be mounted soldered on the PCB
- Wide frequency range: DC ~ 1.5GHz available
- Low VSWR
- Low insertion loss
- High performance, competitive price
- Wide attenuation range
- Impedance: 50Ω or 75Ω
- Operating temperature:-40°C ~ +105°C
- Compared with digital attenuators, zero distortion, no extra IP3, lower noise, higher reliability.
- At least 500 circles operation.
- Customized attenuation values available

Attenuation (dB)	FREQ.RANGE (GHz)	Attenuation Accuracy(dB)
0 to 15	DC to 1	1
	1 to 1.5	1.5

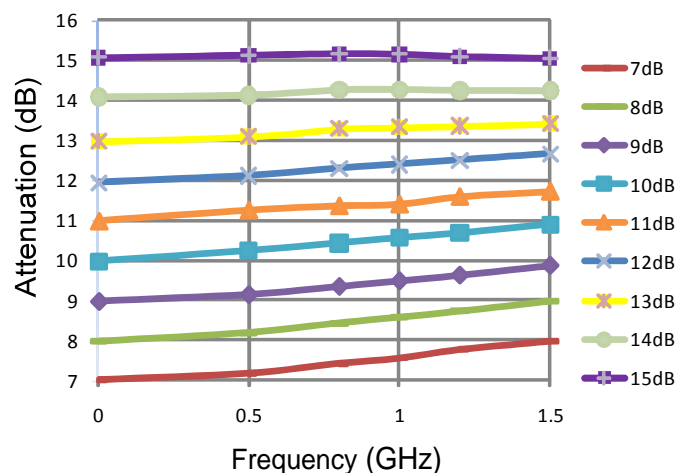
Attenuation (dB)	FREQ.RANGE (GHz)	Typical VSWR:1
0 to 15	DC to 1.5	1.45

Characteristic

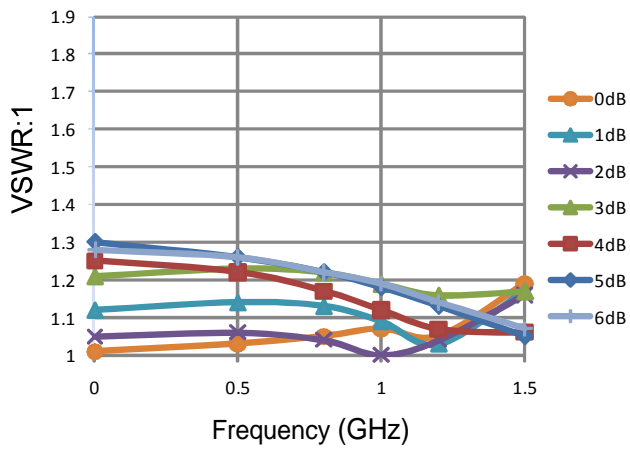
The testing curves of VAC18(0 to 6 dB)



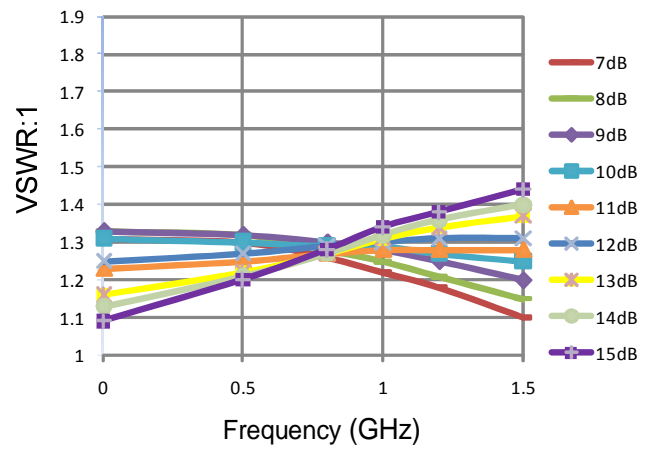
The testing curves of VAC18(7 to 15 dB)



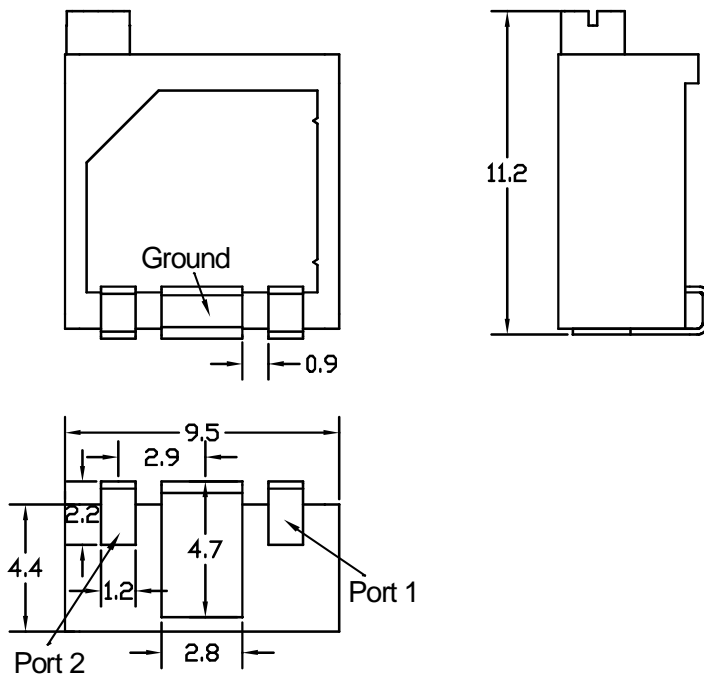
The testing curves of VAC18(0 to 6 dB)



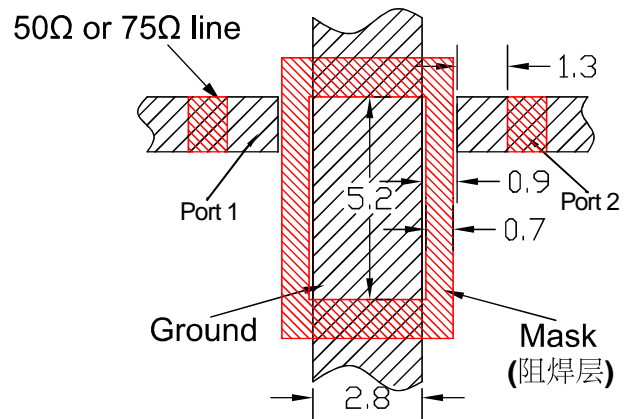
The testing curves of VAC18(7 to 15 dB)



Package Outlines(mm)



Recommended PCB Layout



注意：制作PCB时，请做上推荐图中的阻焊层。