


Helping Customers Innovate, Improve & Grow



Description

Vectron's VC-709 Crystal Oscillator is a quartz stabilized, differential output oscillator, operating off a 2.5 or 3.3 volt supply in a hermetically sealed 7x5 ceramic package.

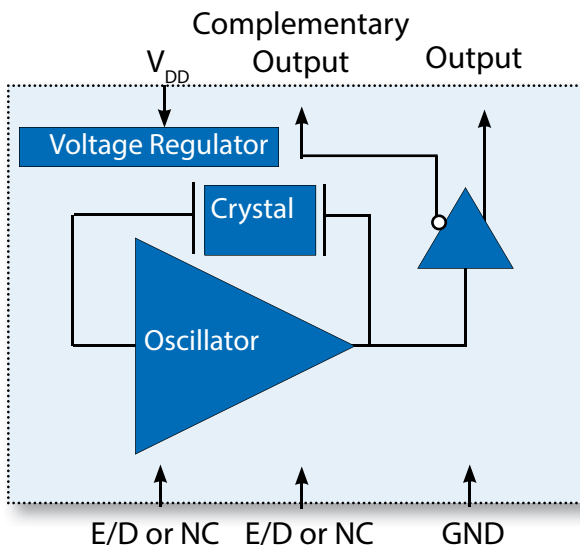
Features

- Ultra Low Jitter Performance, 3rd OT or Fundamental Crystal Design
- 13.500-220.0000MHz Output Frequencies
- Low Power
- 400ps max Rise and Fall Time
- Excellent Power Supply Rejection Ratio
- Enable/Disable
- 3.3 or 2.5V operation
- -10/70°C or -40/85°C Operation
- Hermetically Sealed 7.0x5.0 mm Ceramic Package
- Product is compliant to RoHS directive  and fully compatible with lead free assembly

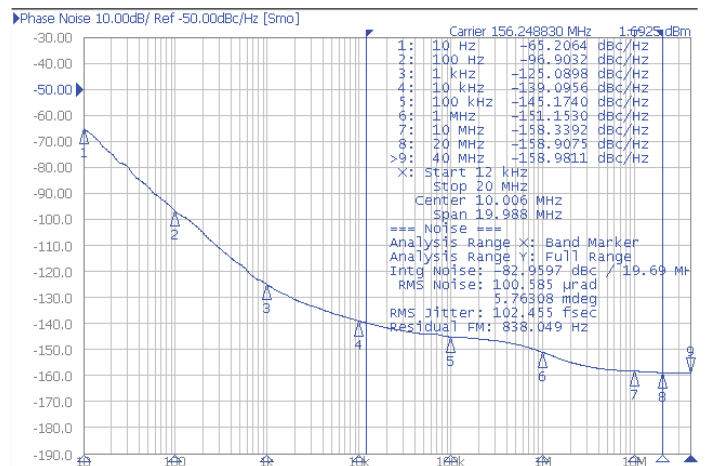
Applications

- PCI Express
- Ethernet, GbE, Synchronous Ethernet
- Fiber Channel
- Enterprise Servers
- Telecom
- Clock source for A/D's, D/A's
- Driving FPGA's
- Test and Measurement
- PON
- Medical
- COTS

Block Diagram



Phase Noise



Performance Specifications

Table 1. Electrical Performance, LVPECL Option					
Parameter	Symbol	Min	Typical	Maximum	Units
Voltage ¹	V_{DD}	3.135 2.375	3.3 2.5	3.465 2.625	V V
Current ² , 3.3V 2.5V	I_{DD}			45 42	mA
Frequency					
Nominal Frequency : 3.3V Supply 2.5V Supply	f_N	13.5 125.0		220.000 220.000	MHz
Stability ³ (Ordering Option)		±20, ±25, ±50 or ±100			ppm
Outputs					
Output Logic Levels ² Output Logic High Output Logic Low	V_{OH} V_{OL}	$V_{DD}-1.025$ $V_{DD}-1.810$		$V_{DD}-0.880$ $V_{DD}-1.650$	V V
Output Rise and Fall Time ²	t_R/t_F			400	ps
Load		50 ohms into $V_{DD}-2.0V$			
Duty Cycle ⁴		45		55	%
Jitter ⁵ , 156.250MHz 12kHz-50MHz 12kHz -20MHz 10kHz-1MHz	ϕJ			200 150 100	fs fs fs
Period Jitter ⁶ , 156.250MHz, RMS P/P Cycle-Cycle ⁶ RMS P/P Random Jitter ⁷ Deterministic Jitter ⁷	ϕJ		1.1 10.5 1.9 17.7 2.2 0	2.2 21.0 3.8 35.4 4.4	ps ps ps ps ps ps
Enable/Disable					
Outputs Enabled ⁸ Outputs Disabled	V_{IH} V_{IL}	$0.7*V_{DD}$		$0.3*V_{DD}$	V V
Disable Time	t_D			200	ns
Enable/Disable Leakage Current				±200	uA
Start-Up Time	t_{SU}			10	ms
Operating Temp. (Ordering Option)	T_{OP}	-10/70 or -40/85			°C
Package Size		7.0 x 5.0 x 1.5			mm

1. The VC-709 power supply pin should be filtered, eg, a 10uf, 0.1uf and 0.01uf capacitor.
2. Figure 1 defines the test circuit and Figure 2 defines these parameters.
3. Includes calibration tolerance, operating temperature, supply voltage variations, aging and IR reflow.
4. Duty Cycle is defined as the On/Time Period.
5. Measured using an Agilent E5052.
6. Measured using a LeCroy Wavemaster 8600A, 90K samples
7. Measured using a Wavecrest SIA3300C, 90K samples.
8. Outputs will be Enabled if Enable/Disable is left open.

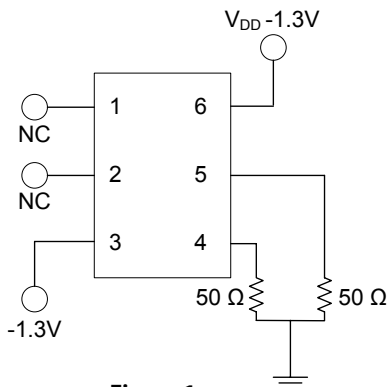


Figure 1.

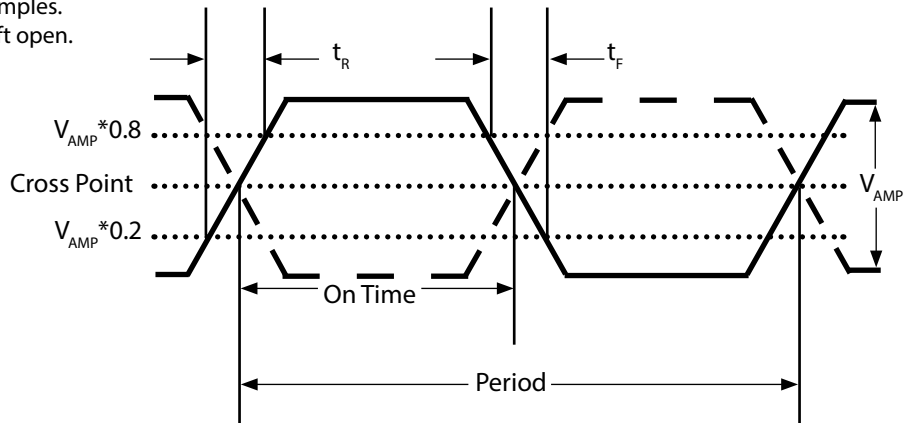


Figure 2.

Performance Specifications

Table 2. Electrical Performance, LVDS Option

Parameter	Symbol	Min	Typical	Maximum	Units
Supply					
Voltage ¹	V_{DD}	3.135 2.375	3.3 2.5	3.465 2.625	V V
Current ² , 3.3V 2.5V	I_{DD}			17 14	mA
Frequency					
Nominal Frequency	f_N	13.5		220.000	MHz
Stability ³ (Ordering Option)		±20, ±25, ±50 or ±100			ppm
Outputs					
Output Logic Levels ² Output Logic High Output Logic Low	V_{OH} V_{OL}	0.9	1.43 1.10	1.6	V V
Output Amplitude		250	350	450	mV
Differential Output Error				50	mV
Offset Voltage		1.125	1.25	1.375	V
Offset Voltage Error				50	mV
Output Leakage Current, Outputs Disabled				10	uA
Output Rise and Fall Time ³	t_R/t_F			400	ps
Load		100 ohms differential			
Duty Cycle ⁴		45		55	%
Jitter ⁵ , 156.250MHz 12kHz - 50MHz 12kHz - 20MHz 10kHz - 1MHz	ϕJ			200 150 100	fs fs fs
Period Jitter ⁶ , 156.250MHz RMS P/P	ϕJ		1.1 10.5	2.2 21.0	ps ps
Cycle-Cycle Jitter ⁶ RMS P/P			1.9 17.7	3.8 35.4	ps ps
Random Jitter ⁷			2.2	4.4	ps
Deterministic Jitter ⁷			0		ps
Enable/Disable					
Outputs Enabled ⁸ Outputs Disabled	V_{IH} V_{IL}	0.7* V_{DD}		0.3* V_{DD}	V V
Disable Time	t_D			200	ns
Enable/Disable Leakage Current	$I_{E/D}$			±200	uA
Start-Up Time	t_{SU}			10	ms
Operating Temp. (Ordering Option)	T_{OP}	-10/70 or -40/85			°C
Package Size		7.0 x 5.0 x 1.5			mm

1. The VC-709 power supply pin should be filtered, eg, a 10uf, 0.1uf and 0.01uf capacitor.
2. Figure 2 defines these parameters and Figure 3 defines the test circuit.
3. Includes calibration tolerance, operating temperature, supply voltage variations, aging and IR reflow.
4. Duty Cycle is defined as the On/Time Period.
5. Measured using an Agilent E5052.
6. Measured using a LeCroy Wavemaster 8600A, 90K samples.
7. Measured using a Wavecrest SIA3300C, 90K samples.
8. Outputs will be Enabled if Enable/Disable is left open.

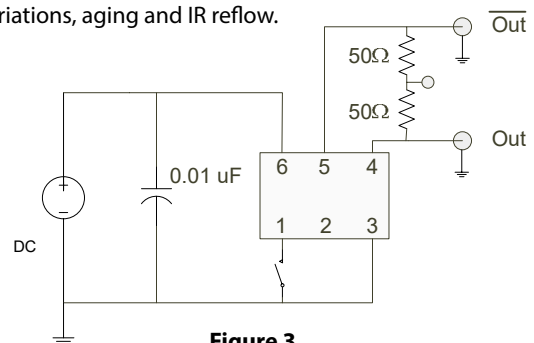


Figure 3.

Performance Specifications

Table 3. Electrical Performance, HCSL Output

Parameter	Symbol	Min	Typical	Maximum	Units
Supply					
Voltage ¹	V_{DD}	2.375 3.165	2.5 3.3	2.625 3.465	V V
Current ²	I_{DD}			39	mA
Frequency					
Nominal Frequency	f_N	13.5		170	MHz
Stability ³ (Ordering Options)		±25, ±50 or ±100			ppm
Outputs					
Output High, 3.3V Output High, 2.5V	V_{OH}	600 580		850 850	mV mV
Output Low	V_{OL}	-150		150	mV
Output Logic Swing, 3.3V Output Logic Swing, 2.5V	V_{OPP}	0.65 0.60			V V
Output Rise and Fall Time ³	t_R/t_F			500	ps
Load		50 ohms to ground			
Duty Cycle ⁴		45		55	%
Jitter ⁵ (12 kHz - 20 MHz) 100.000MHz	ϕ_J			300	fs
Jitter ⁶ , 100.000MHz	ϕ_J	PCIe Gen1-Gen5 Compliant			
Enable/Disable					
Outputs Enabled ⁸ Outputs Disabled	V_{IH} V_{IL}	0.7* V_{DD}		0.3* V_{DD}	V V
Disable Time	t_D			200	ns
Enable/Disable Leakage Current	$I_{E/D}$			±200	uA
Start-Up Time	t_{SU}			10	ms
Operating Temp. (Ordering Option)	T_{OP}	-10/70 or -40/85			°C
Package Size		7.0 x 5.0 x 1.5			mm

1. The VC-709 power supply pin should be filtered, e.g., a 10uf, 0.1uf and 0.01uf capacitor.
2. Figure 4 defines the test circuit and Figure 5 defines these parameters.
3. Includes calibration tolerance, operating temperature, supply voltage variations, aging and IR reflow.
4. Duty Cycle is defined as the On Time/Period.
5. Measured using an Agilent E5052.
6. Measured using a LeCroy Wavemaster 8600A, 90K samples.
7. Measured using a Wavecrest SIA3300C, 90K samples.
8. Outputs will be Enabled if the Enable/Disable pad is left open.

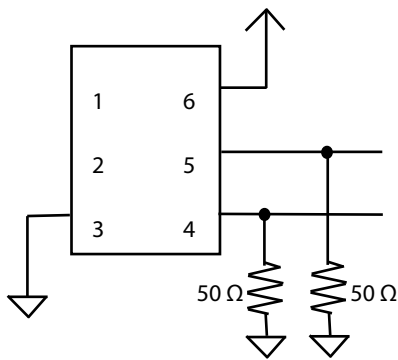


Figure 4.

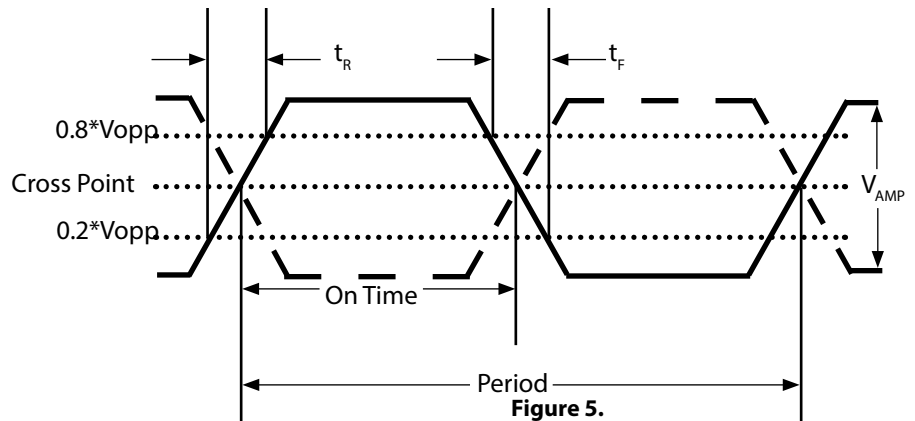


Figure 5.

Package and Pinout

Table 4. Pinout

Pin #	Symbol	Function
1	E/D or NC	Enable/Disable or No Connection
2	E/D or NC	Enable/Disable or No Connection
3	GND	Electrical and Lid Ground
4	f_o	Output Frequency
5	Cf_o	Complementary Output Frequency
6	V_{DD}	Supply Voltage

Table 5. Enable Disable Function

E/D Pin	Output
High	Clock Output
Open	Clock Output
Low	High Impedance

Marking Information

XXXXXX - Frequency (Example: 100M00)

YY - Year of Manufacture

WW - Week of the Year

C - Manufacturing Location

Δ - Pin 1 Indicator

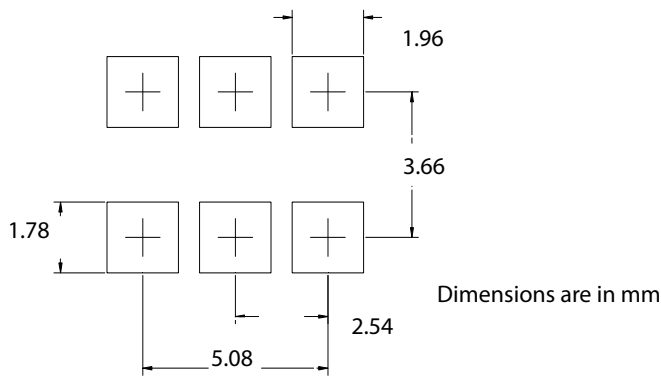


Figure 6. Pad Layout

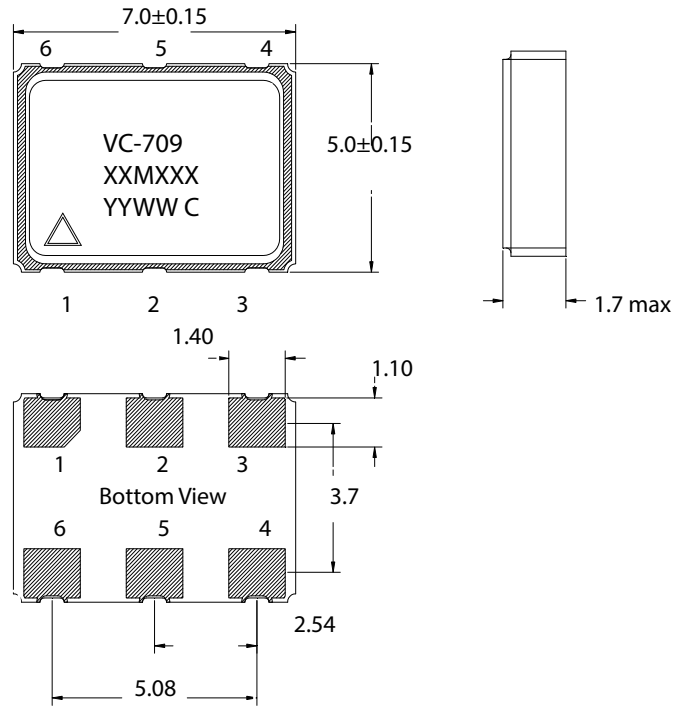


Figure 7. Package Outline Drawing

HCSL Application Diagrams

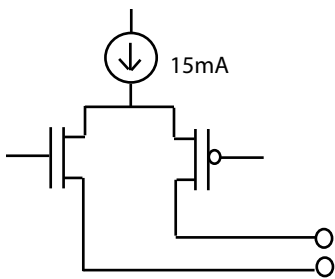


Figure 8. Standard HCSL Output Configuration

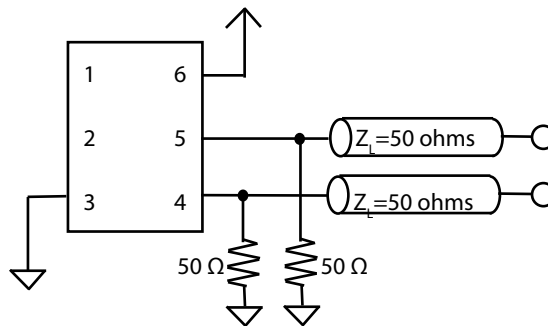


Figure 9. Single Resistor Termination Scheme

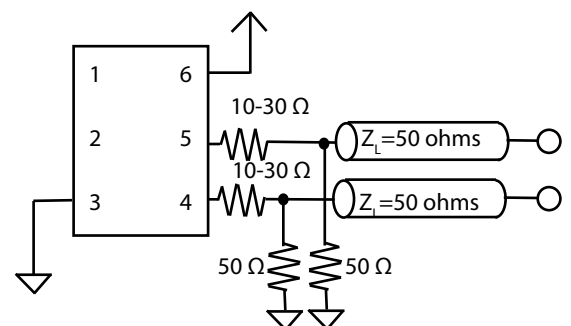


Figure 10. In some cases a 10-30 ohm series resistor is used to help reduce overshoot.

The VC-709 incorporates a standard High Speed Current Logic, HCSL, output scheme which is a 15mA current source switched between Out and Complementary Out. Being un-terminated drains, as shown in Figure 8, they require external 50 ohm resistors to ground as shown in Figure 9. HCSL is a high impedance output with quick switching times, it can be advantageous to use a 10 to 30 ohm series resistor as shown in Figure 10, to help reduce overshoot/ringing.

One of the most important considerations is terminating the Output and Complementary Outputs equally. An unused output should not be left un-terminated, and if one of the two outputs is left open it will result in excessive jitter on both. PC board layout must take this and 50 ohm impedance matching into account. Load matching and power supply noise are the main contributors to jitter related problems.

LVPECL Application Diagrams

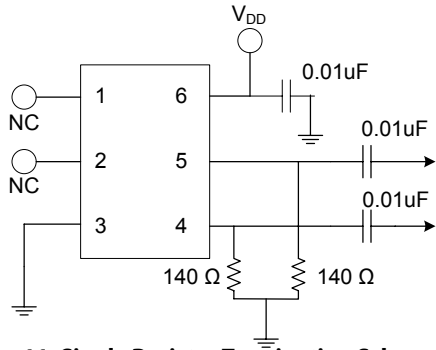


Figure 11. Single Resistor Termination Scheme
Resistor values are typically 140 ohms for 3.3V operation and 84 ohms for 2.5V operation.

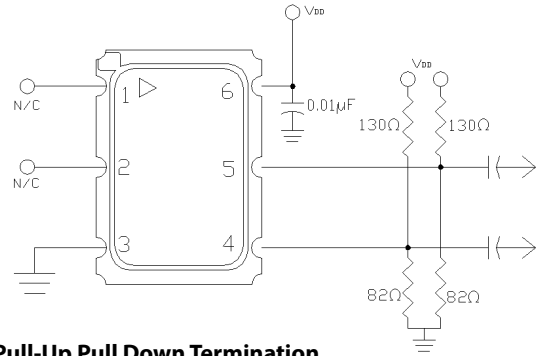


Figure 12. Pull-Up Pull Down Termination
Resistor values shown are typical for 3.3 V operation. For 2.5V operation, the resistor to ground is 62 ohms and the resistor to supply is 250 ohms

The VC-709 incorporates a standard PECL output scheme, which are un-terminated FET drains. There are numerous application notes on terminating and interfacing PECL logic and the two most common methods are a single resistor to ground, Figure 11, or for best 50 ohm matching a pull-up/pull-down scheme as shown in Figure 12 should be used. AC coupling capacitors are optional, depending on the application and the input logic requirements of the next stage.

One of the most important considerations is terminating the Output and Complementary Outputs equally. An unused output should not be left un-terminated, and if it one of the two outputs is left open it will result in excessive jitter on both. PC board layout must take this and 50 ohm impedance matching into account. Load matching and power supply noise are the main contributors to jitter related problems.

LVDS Application Diagrams

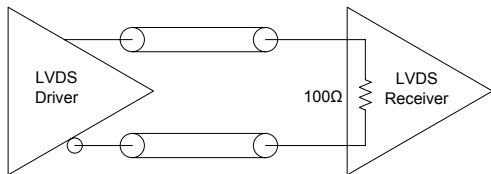


Figure 13. LVDS to LVDS Connection, Internal 100ohm Resistor
Some LVDS structures have an internal 100 ohm resistor on the input and do not need additional components. AC blocking capacitors can be used if the DC levels are incompatible.

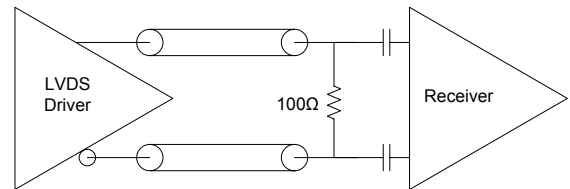


Figure 14. LVDS to LVDS Connection
Some input structures may not have an internal 100 ohm resistor on the input and will need an external 100ohm resistor for impedance matching. Also, the input may have an internal DC bias which may not be compatible with LVDS levels, AC blocking capacitors can be used.

One of the most important considerations is terminating the Output and Complementary Outputs equally. An unused output should not be left un-terminated, and if it one of the two outputs is left open it will result in excessive jitter on both. PC board layout must take this and 50 ohm impedance matching into account. Load matching and power supply noise are the main contributors to jitter related problems.

Environmental and IR Compliance

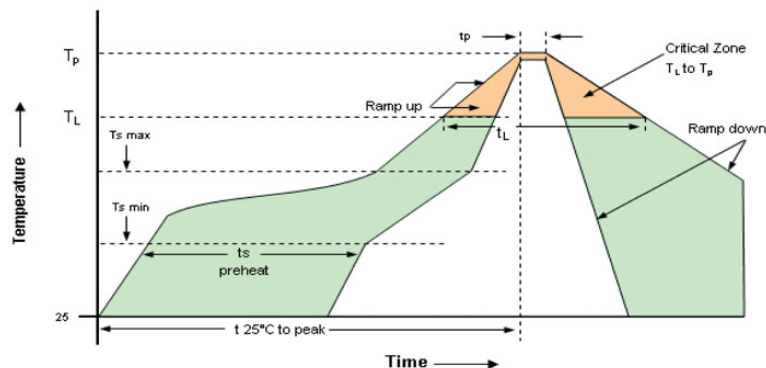
Table 6. Environmental Compliance	
Parameter	Condition
Mechanical Shock	MIL-STD-883 Method 2002
Mechanical Vibration	MIL-STD-883 Method 2007
Temperature Cycle	MIL-STD-883 Method 1010
Solderability	MIL-STD-883 Method 2003
Fine and Gross Leak	MIL-STD-883 Method 1014
Resistance to Solvents	MIL-STD-202 Method 215
Moisture Sensitivity Level	MSL1
Contact Pads	Gold (0.3-1.0um) over Nickel
ThetaJC (bottom of case)	31 °C/W
Weight	167 mg

Suggested IR Profile

Devices are built using lead free epoxy and can be subjected to standard lead free IR reflow conditions shown in Table 7. Contact pads are gold over nickel and lower maximum temperatures can also be used, such as 220C.

Parameter	Symbol	Value
PreHeat Time	t_s	200 sec Max
Ramp Up	R_{UP}	3°C/sec Max
Time above 217°C	t_L	150 sec Max
Time to Peak Temperature	t_{AMB-P}	480 sec Max
Time at 260°C	t_P	30 sec Max
Time at 240°C	t_{P2}	60 sec Max
Ramp down	R_{DN}	6°C/sec Max

Solderprofile:



Maximum Ratings, Tape & Reel

Absolute Maximum Ratings and Handling Precautions

Stresses in excess of the absolute maximum ratings can permanently damage the device. Functional operation is not implied or any other excess of conditions represented in the operational sections of this data sheet. Exposure to absolute maximum ratings for extended periods may adversely affect device reliability.

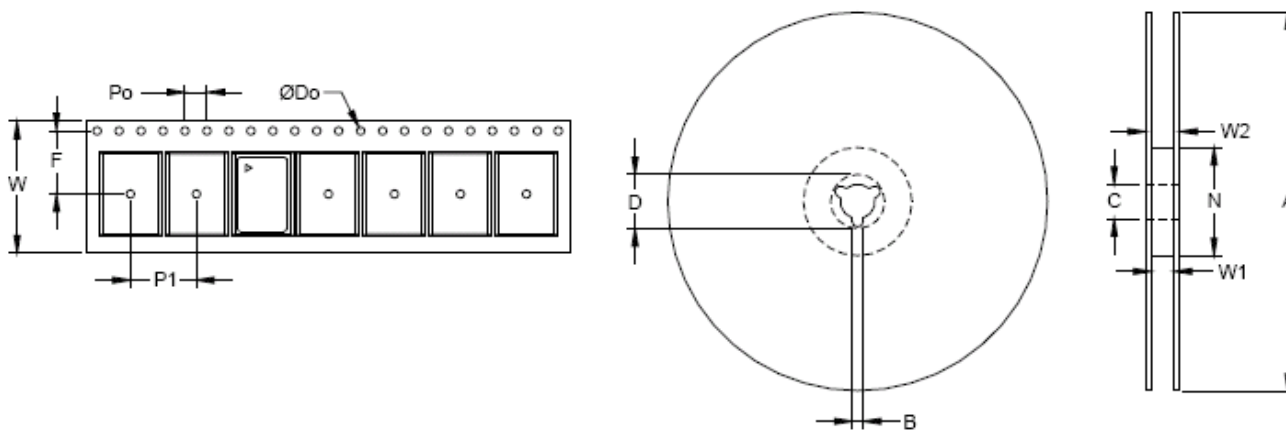
Although ESD protection circuitry has been designed into the VC-709, proper precautions should be taken when handling and mounting, Vectron employs a Human Body Model and Charged Device Model for ESD susceptibility testing and design evaluation.

ESD thresholds are dependent on the circuit parameters used to define the model. Although no industry standard has been adopted for the CDM a standard resistance of 1.5kOhms and capacitance of 100pF is widely used and therefor can be used for comparison purposes.

Parameter		Unit
Storage Temperature	-55 to 125	°C
Junction Temperature	150	C
Supply Voltage	-0.5 to 5.0	V
Enable Disable Voltage	-0.5 to $V_{DD}+0.5$	V
ESD, Human Body Model	1500	V
ESD, Charged Device Model	1500	V

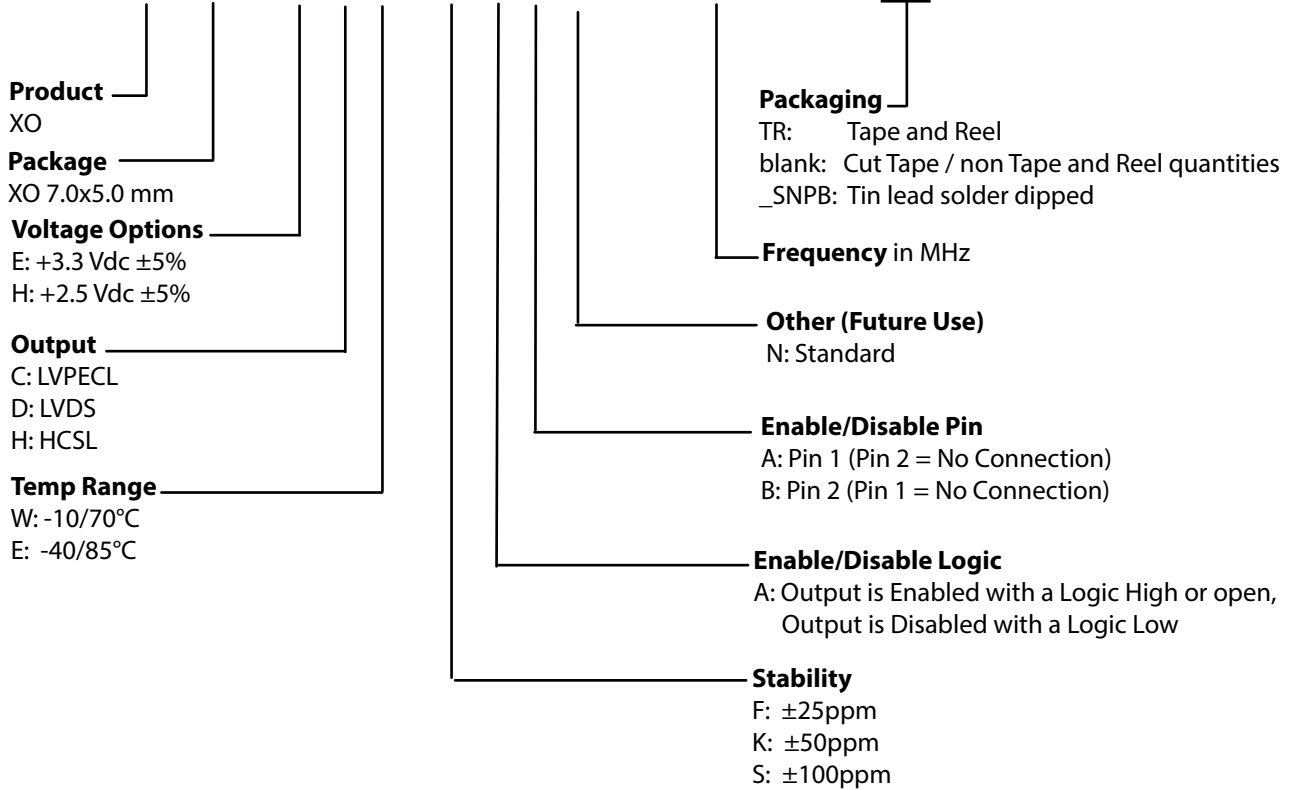
Table 9. Tape and Reel Information

Tape Dimensions (mm)					Reel Dimensions (mm)							
W	F	Do	Po	P1	A	B	C	D	N	W1	W2	#/Reel
16	7.5	1.5	4	8	180	2	13	21	50	17	21	1000



Ordering Information

VC-709- E C E - K A A N - xxxMxxxxxxXX

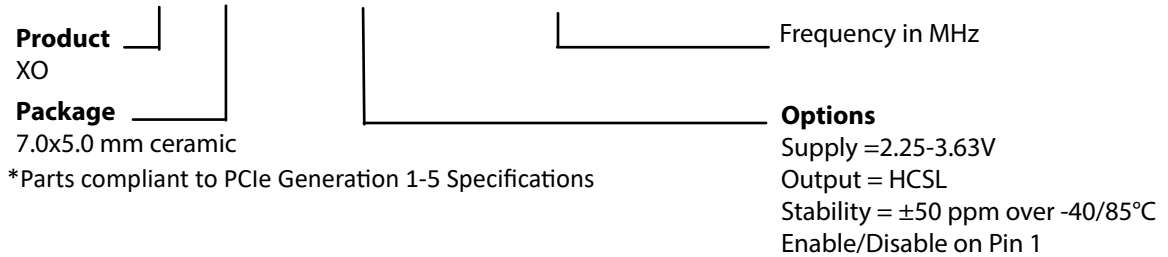


±20ppm Options

- VC-709-107-frequency= LVPECL, +3.3V, ±20ppm over -10/70°C, E/D on Pin1
- VC-709-109-frequency= LVDS, +3.3V, ±20ppm over -10/70°C, E/D on Pin1
- VC-709-110-frequency= LVPECL, +2.5V, ±20ppm over -10/70°C, E/D on Pin1
- VC-709-111-frequency= LVDS, +2.5V, ±20ppm over -10/70°C, E/D on Pin1
- VC-709-119-frequency= LVPECL, +3.3V, ±20ppm over -40/85°C, E/D on Pin1
- VC-709-120-frequency= LVPECL, +2.5V, ±20ppm over -40/85°C, E/D on Pin1
- VC-709-121-frequency= LVDS, +3.3V, ±20ppm over -40/85°C, E/D on Pin1
- VC-709-122-frequency= LVDS, +2.5V, ±20ppm over -40/85°C, E/D on Pin1

PCI Express Ordering Information

VC-709- PCIE2 - 100M000000*



Example:

- | | |
|---------------------------------|------------------------|
| VC-709-EDE-KAAN-125M000000TR | Tape and Reel |
| VC-709-EDE-KAAN-125M000000 | Cut Tape |
| VC-709-EDE-KAAN-125M000000_SNPB | Tin lead solder dipped |

Revision History

Revision Date	Approved	Description
Sep 05, 2014	VN	VC-709 Product Initial Release.
Dec 12, 2014	VN	Added min and max values for LVDS output amplitude.
Apr 27, 2016	VN	Updated LVDS 100MHz noise information and added maximum jitter numbers.
Aug 10, 2018	FB	Update logo and contact information, add SNPB DIP ordering option, marking details, thetaJC and weight
May 10, 2019	FB	Update logo, contact and SNPB ordering option
April, 2020	FB	Add tape and reel ordering information, updates and corrections as needed

Contact Information

USA:

100 Watts Street
 Mt Holly Springs, PA 17065
 Tel: 1.717.486.3411
 Fax: 1.717.486.5920

Europe:

Landstrasse
 74924 Neckarbischofsheim
 Germany
 Tel: +49 (0) 7268.801.0
 Fax: +49 (0) 7268.801.281



Information contained in this publication regarding device applications and the like is provided only for your convenience and may be superseded by updates. It is your responsibility to ensure that your application meets with your specifications. MICROCHIP MAKES NO REPRESENTATION OR WARRANTIES OF ANY KIND WHETHER EXPRESS OR IMPLIED, WRITTEN OR ORAL, STATUTORY OR OTHERWISE, RELATED TO THE INFORMATION INCLUDING, BUT NOT LIMITED TO ITS CONDITION, QUALITY, PERFORMANCE, MERCHANTABILITY OR FITNESS FOR PURPOSE. Microchip disclaims all liability arising from this information and its use. Use of Microchip devices in life support and/or safety applications is entirely at the buyer's risk, and the buyer agrees to defend, indemnify and hold harmless Microchip from any and all damages, claims, suits, or expenses resulting from such use. No licenses are conveyed, implicitly, or otherwise, under any Microchip intellectual property rights unless otherwise stated.

Trademarks

The Microchip and Vectron names and logos are registered trademarks of Microchip Technology Incorporated in the U.S.A. and other countries.