

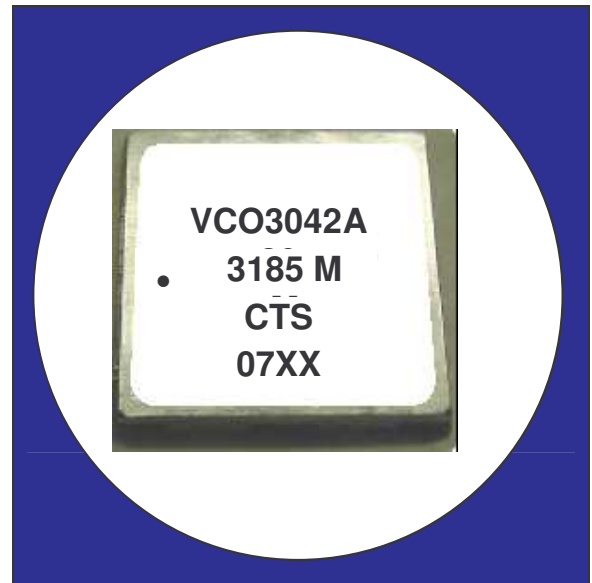
FEATURES

- Industry Standard 12.7x12.7mm SMT Footprint
- +8Vdc Supply Voltage
- -40°C to +85°C Temp. Range
- Low Phase Noise
- Tape & Reel Packaging
- Fully compliant to RoHS Directive 2002/95/EC

DESCRIPTION

The CTS VCO3042A is a high performance SMT VCO. It's low phase noise makes it the ideal choice for any wireless telecommunications system.

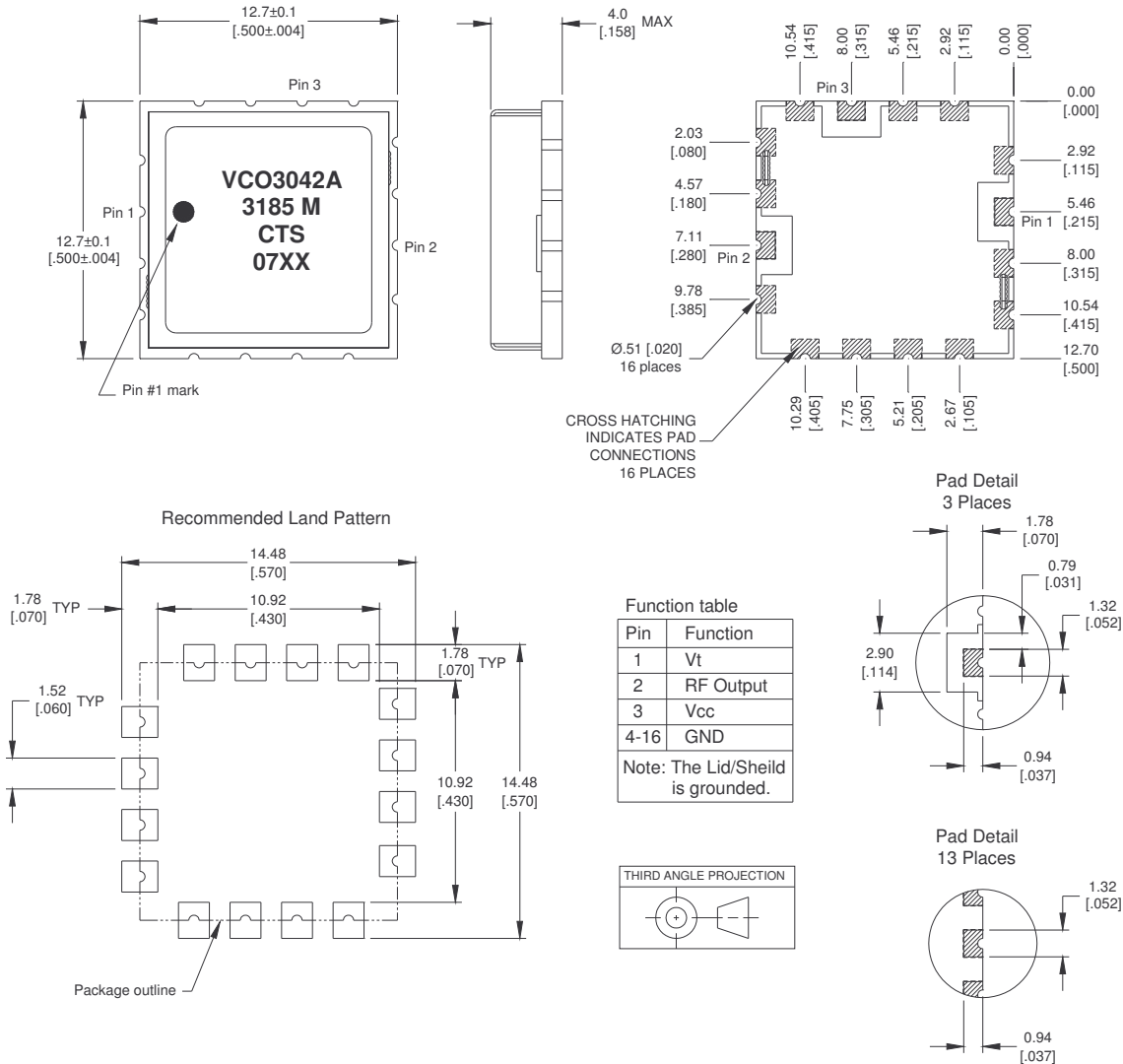
- See WWW.CTSCORP.COM for product patent status.



ELECTRICAL SPECIFICATIONS

Parameter	Conditions & Remarks	Min	Typical	Max	Unit
Operating Frequency	F _{OUT}	3185	-	3573	MHz
Supply Voltage	V _{CC}	-	8	-	Vdc
Supply Current	I _{cc}	-	30	37	mA
Operating Temperature Range	T _{OP}	-40	-	+85	°C
Tuning Voltage Range	V _T	0	-	18	Vdc
Tuning Sensitivity		-	25	-	MHz/V
Power Output	(RF Amplitude)	-3	0	3	dBm
Pushing		-	3.0	4.0	MHz/V
Pulling	(12db return loss all phases)	-	2.5	3.0	MHz p-p
Harmonic Suppression		-	-15	-8	dBc
Phase Noise	10kHz	-	-88	-85	dBc/Hz
	100kHz	-	-	-107	dBc/Hz
	1000KHz	-	-132	-130	dBc/Hz

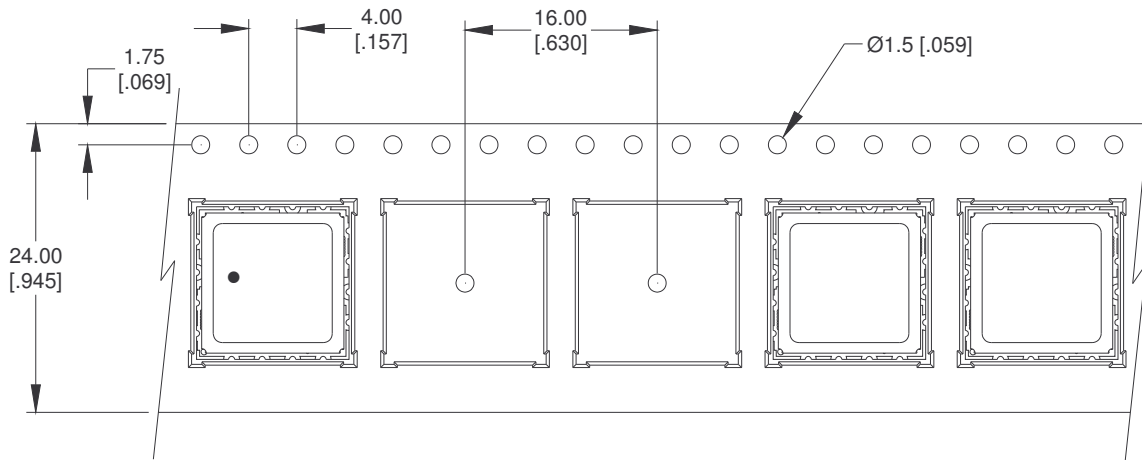
MECHANICAL SPECIFICATIONS:



All dimensions are in MM [Inches].
All dimensions are nominal unless otherwise specified.
Lead Termination Finish: Gold Flash, <10 micro inch, over Ni plated Cu.

Tape & Reel Information:

Tape width 24 mm, pitch 16 mm, as per EIA 481-2, 1000 units max per 330 mm reel.



All dimensions are in MM [INCHES].

All dimensions are Nominal

STANDARD ENVIRONMENTAL LIMITS:

This product is capable of operating within the following environmental conditions:

Operating Temperature: -40 to +85 °C.

Humidity: 85% Relative humidity max @ 50°C.

Solder Reflow Conditions: Device is capable of withstanding reflow of 260 degrees C for 10 seconds maximum.

Atmospheric Pressure: 730 to 780 mm Hg.

Moisture Sensitivity: MSL 1

RoHS: This device is fully compliant to RoHS Directive 2002/95/EC