

Metal Oxide Varistors (MOV)

Features

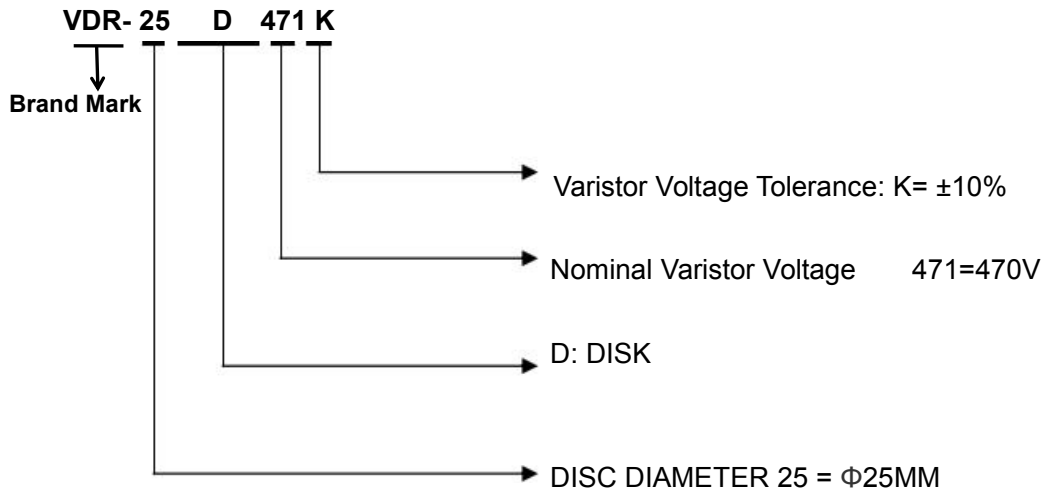
- Wide operating voltage (V1mA) range from 82V to 1800V
- Fast responding to transient over-voltage
- Large absorbing transient energy capability
- Low clamping ratio and no follow-on current
- Meets MSL level 1, per J-STD-020
- Operating Temperature: -40°C ~ +85°C
- Storage Temperature: -40°C ~ +125°C
- UL 1449 4th for SPD Type 5 application
- Safety certification:



Applications

- Transistor, diode, IC, thyristor or triac semiconductor protection
- Surge protection in consumer electronics
- Surge protection in industrial electronics
- Surge protection in electronic home appliances, gas and petroleum appliances
- Relay and electromagnetic valve surge absorption

Description of Part Number



Delivery Time

Standard MOV	Delivery Time
VDR-25D820K~VDR-25D182K	22days

Electrical Characteristics

Part Number	Maximum Allowable Voltage		Varistor Voltage $V_{1mA}(V)$	Maximum Clamping Voltage		Max Surge Current 8/20 μ s I_{max}	Surge Operating Duty Test IEC 61643-11 (8/20 μ s)		Maximum Energy 10/1000 μ s (J)	Rated Power (W)	Safety Certification UL
	$V_{AC}(V)$	$V_{DC}(V)$		$I_P(A)$	$V_C(V)$		I_{max}	I_n			
VDR-25D820K	50	65	82 (73.8~90.2)	150	135	20KA	20KA	10KA	96	1.2	-
VDR-25D101K	60	85	100 (90~110)	150	165	20KA	20KA	10KA	120	1.2	-
VDR-25D121K	75	100	120 (108~132)	150	200	20KA	20KA	10KA	144	1.2	-
VDR-25D151K	95	125	150 (135~165)	150	250	20KA	20KA	10KA	192	1.2	-
VDR-25D181K	115	150	180 (162~198)	150	300	20KA	20KA	10KA	210	1.2	-
VDR-25D201K	130	170	200 (185~225)	150	330	20KA	20KA	10KA	228	1.2	√
VDR-25D221K	140	180	220 (198~242)	150	360	20KA	20KA	10KA	240	1.2	√
VDR-25D241K	150	200	240 (216~264)	150	395	20KA	20KA	10KA	264	1.2	√
VDR-25D271K	175	225	270 (243~297)	150	455	20KA	20KA	10KA	306	1.2	√
VDR-25D301K	190	250	300 (270~330)	150	505	20KA	20KA	10KA	330	1.2	√
VDR-25D331K	210	275	330 (297~363)	150	550	20KA	20KA	10KA	360	1.2	√
VDR-25D361K	230	300	360 (324~396)	150	595	20KA	20KA	10KA	396	1.2	√
VDR-25D391K	250	320	390 (351~429)	150	650	20KA	20KA	10KA	432	1.2	√
VDR-25D431K	275	350	430 (387~473)	150	710	20KA	20KA	10KA	456	1.2	√
VDR-25D471K	300	385	470 (423~517)	150	775	20KA	20KA	10KA	480	1.2	√
VDR-25D511K	320	415	510 (459~561)	150	845	20KA	20KA	10KA	504	1.2	√
VDR-25D561K	350	460	560 (504~616)	150	920	20KA	20KA	10KA	528	1.2	√
VDR-25D621K	385	505	620 (558~682)	150	1025	20KA	20KA	10KA	540	1.2	√
VDR-25D681K	420	560	680 (612~748)	150	1120	20KA	20KA	10KA	552	1.2	√
VDR-25D751K	460	615	750 (675~825)	150	1240	20KA	20KA	10KA	612	1.2	√
VDR-25D781K	485	640	780 (702~858)	150	1290	20KA	20KA	10KA	636	1.2	√
VDR-25D821K	510	670	820 (738~902)	150	1355	20KA	20KA	10KA	684	1.2	√
VDR-25D911K	550	745	910 (819~1001)	150	1500	20KA	20KA	10KA	744	1.2	√
VDR-25D102K	625	825	1000 (900~1100)	150	1650	20KA	20KA	10KA	822	1.2	-
VDR-25D112K	680	895	1100 (990~1210)	150	1815	20KA	20KA	10KA	864	1.2	-
VDR-25D122K	750	980	1200(1080~1320)	150	1980	20KA	20KA	10KA	954	1.2	-
VDR-25D142K	880	1140	1400(1260~1540)	150	2310	20KA	20KA	10KA	1020	1.2	-
VDR-25D162K	1000	1280	1600(1400~1760)	150	2640	20KA	20KA	10KA	1164	1.2	-
VDR-25D182K	1100	1465	1800(1620~1980)	150	2970	20KA	20KA	10KA	1310	1.2	-

Dimension(mm) Straight Leads

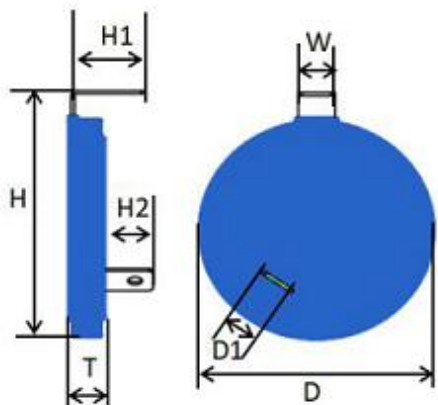


TABLE1		TABLE2	
Symbol	Dimensions	Part number	T(±1.0mm)
D(Max)	27.0mm	VDR-25D820K	3.0mm
H(Max)	38.0mm	VDR-25D101K	3.2mm
H1	10.5mm ±0.8	VDR-25D121K	3.3mm
H2	5.5mm±0.5	VDR-25D151K	3.4mm
W	5.0mm±0.2	VDR-25D181K	3.2mm
D1	5.0mm±0.2	VDR-25D201K	3.3mm
T(Max)	TABLE2	VDR-25D221K	3.5mm
Epoxy Colour	Blue	VDR-25D241K	3.0mm
		VDR-25D271K	3.2mm
		VDR-25D301K	3.3mm
		VDR-25D331K	3.5mm
		VDR-25D361K	3.8mm
		VDR-25D391K	3.8mm
		VDR-25D431K	4.4mm
		VDR-25D471K	4.5mm
		VDR-25D511K	4.8mm
		VDR-25D561K	5.2mm
		VDR-25D621K	5.5mm
		VDR-25D681K	5.6mm
		VDR-25D751K	5.8mm
		VDR-25D781K	6.0mm
		VDR-25D821K	6.2mm
		VDR-25D911K	6.8mm
		VDR-25D102K	7.3mm
		VDR-25D112K	7.9mm
		VDR-25D122K	8.6mm
		VDR-25D142K	10.4mm
		VDR-25D162K	11.0mm
		VDR-25D182K	12.3mm

Packing Information

Part Number	Quantity	Packaging Option	Packaging Specification
VDR-25DxxxK	60PCS	Foam Box	Bulk Pack

Notice for use

To avoid damage to other equipment due to fire or deterioration caused by varistor, please refer to and observe the following principles:

1) When a high current or high voltage flows into the varistor, the varistor itself may be damaged, heated, smoke, catch fire and burst.

To avoid this, fuses or circuit breakers can be installed at both ends of the varistor or power supply;

The fuses of the following specifications are for reference only:

Diameter	05D	07D	10D	14D	20D
Rated current of fuse	1-2A	2-3A	3-5A	3-10A	5-15A

2) Do not allow the current and energy flowing into the varistor to exceed its rated value.

3) The marked VDR product brand names and marks are all patent applications of the company.

Customers who use or sell VDR products that are not specifically designated for such applications are at their own risk.

4) All VDR products, product specifications and data are subject to change without notice, please improve. For any data sheet Or any other data sheet. Any errors included. Inaccurate or incomplete shall not be liable.

5) Regarding the suitability of products for specific applications. It is the customer's responsibility to confirm that products with the characteristics described in the product specifications application. The data provided in the parameter data sheets and / or specifications may vary for different applications and performance may vary over time Variety. All operating parameters, including typical parameters, must be provided by the customer 's technical experts. Product specifications will not expand or Modify the VDR procurement terms and conditions in other ways, including but not limited to the guarantees described therein.

6) Do not place flammable substances near the varistor.

7) The varistor can only emit a small amount of heat energy, so it is not suitable for use in equipment that often generates sudden heat.

In addition, the higher the working environment of the varistor, the smaller the proportion of heat dissipated.

Varistors can only dissipate a small amount of heat energy, so they are not suitable for use in equipment that often generates sudden heat.

If a large amount of heat acts on the varistor in an instant, it is possible that the heat energy cannot be dissipated within the pulse time And the varistor is damaged.

8) When welding, please be careful not to melt the welding points of the varistor and the resin coating.

Material category policy

All products of VDR hereby certify that RoHS-compliant products are in accordance with the definitions and Restrictions on June 8, 2011 regarding restrictions on the use of certain hazardous substances (Reach) in electrical and electronic equipment. We confirm All VDR products comply with the IEC 61249-2-21 JEDEC JS709A standard.