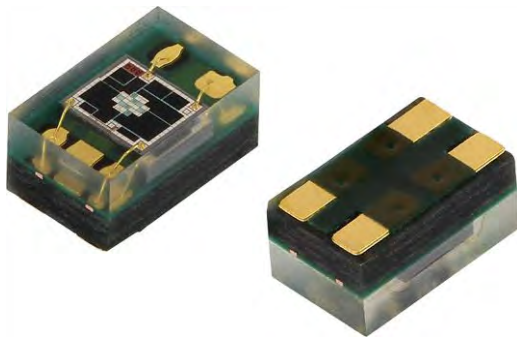




## UVA and UVB Light Sensor with I<sup>2</sup>C Interface



### DESCRIPTION

The VEML6075 senses UVA and UVB light and incorporates photodiode, amplifiers, and analog / digital circuits into a single chip using a CMOS process. When the UV sensor is applied, it is able to detect UVA and UVB intensity to provide a measure of the signal strength as well as allowing for UVI measurement.

The VEML6075 provides excellent temperature compensation capability for keeping the output stable under changing temperature. VEML6075's functionality is easily operated via the simple command format of I<sup>2</sup>C (SMBus compatible) interface protocol. VEML6075's operating voltage ranges from 1.7 V to 3.6 V. VEML6075 is packaged in a lead (Pb)-free 4 pin OPLGA package which offers the best market-proven reliability.

### FEATURES

- Package type: surface-mount
- Dimensions (L x W x H in mm): 2.0 x 1.25 x 1.0
- Integrated modules: ultraviolet sensor (UV), and signal conditioning IC
- Converts solar UV light intensity to digital data
- Excellent UVA and UVB sensitivity
- Reliable performance of UV radiation measurement under long time solar UV exposure
- 16-bit resolution per channel
- UVA and UVB individual channel solution
- Low power consumption I<sup>2</sup>C protocol (SMBus compatible) interface
- Package: OPLGA
- Temperature compensation: -40 °C to +85 °C
- Output type: I<sup>2</sup>C bus
- Operation voltage: 1.7 V to 3.6 V
- Material categorization: for definitions of compliance please see [www.vishay.com/doc?99912](http://www.vishay.com/doc?99912)



### APPLICATIONS

- Handheld device
- Notebook
- Consumer device
- Industrial and medical application

### PRODUCT SUMMARY

PART NUMBER	OPERATING VOLTAGE RANGE (V)	I <sup>2</sup> C BUS VOLTAGE RANGE (V)	PEAK SENSITIVITY UVA, UVB (nm)	RANGE OF SPECTRAL BANDWIDTH $\lambda_{0.5}$ (nm)	OUTPUT CODE
VEML6075	1.7 to 3.6	1.7 to 3.6	365, 330	± 10	16 bit, I <sup>2</sup> C

#### Note

(1) Adjustable through I<sup>2</sup>C interface

### ORDERING INFORMATION

ORDERING CODE	PACKAGING	VOLUME (1)	REMARKS
VEML6075	Tape and reel	MOQ: 2500 pcs	2.0 mm x 1.25 mm x 1.0 mm

#### Note

(1) MOQ: minimum order quantity

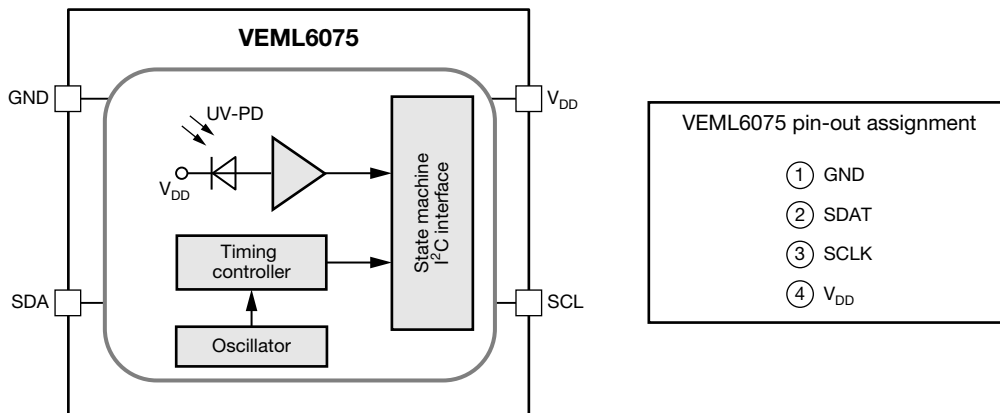


ABSOLUTE MAXIMUM RATINGS (T <sub>amb</sub> = 25 °C, unless otherwise specified)					
PARAMETER	TEST CONDITION	SYMBOL	MIN.	MAX.	UNIT
Supply voltage		V <sub>DD</sub>	0	3.6	V
Operation temperature range		T <sub>amb</sub>	-40	+85	°C
Storage temperature range		T <sub>stg</sub>	-40	+85	°C

RECOMMENDED OPERATING CONDITIONS (T <sub>amb</sub> = 25 °C, unless otherwise specified)					
PARAMETER	TEST CONDITION	SYMBOL	MIN.	MAX.	UNIT
Supply voltage		V <sub>DD</sub>	1.7	3.6	V
Operation temperature range		T <sub>amb</sub>	-40	+85	°C
I <sup>2</sup> C bus operating frequency		f <sub>(I2CCLK)</sub>	10	400	kHz

PIN DESCRIPTIONS			
PIN ASSIGNMENT	SYMBOL	TYPE	FUNCTION
1	GND	I	Ground
2	SDAT	I / O (open drain)	I <sup>2</sup> C data bus data input / output
3	SCLK	I	I <sup>2</sup> C digital bus clock input
4	V <sub>DD</sub>	I	Power supply input

**BLOCK DIAGRAM**



BASIC CHARACTERISTICS (T <sub>amb</sub> = 25 °C, unless otherwise specified)						
PARAMETER	TEST CONDITION	SYMBOL	MIN.	TYP.	MAX.	UNIT
Supply operation voltage		V <sub>DD</sub>	1.7	-	3.6	V
Supply current	V <sub>DD</sub> = 1.8 V	I <sub>DD</sub>	-	480	-	μA
I <sup>2</sup> C signal input	Logic high	V <sub>IH</sub>	1.5	-	-	V
	Logic low	V <sub>IL</sub>	-	-	0.8	
I <sup>2</sup> C signal input	Logic high	V <sub>IH</sub>	1.4	-	-	V
	Logic low	V <sub>IL</sub>	-	-	0.6	
Operating temperature		T <sub>amb</sub>	-40	-	+85	°C
Shutdown current	Light condition = dark; V <sub>DD</sub> = 1.8 V, T <sub>amb</sub> = 25 °C	I <sub>DD</sub> (SD)	-	800	-	nA
UVA responsivity	I <sub>T</sub> = 50 ms <sup>(1)</sup>		-	0.93	-	counts/μW/cm <sup>2</sup>
UVB responsivity	I <sub>T</sub> = 50 ms <sup>(2)</sup>		-	2.1	-	counts/μW/cm <sup>2</sup>
Visible / infrared response	W-LED / IRED (940 nm)		-	0.5	< 1	%

**Notes**

- (1) Nichia NCSU033X (365 nm)
- (2) UVTOP310TO39HS (315 nm)



I <sup>2</sup> C TIMING CHARACTERISTICS (T <sub>amb</sub> = 25 °C, unless otherwise specified)						
PARAMETER	SYMBOL	STANDARD MODE		FAST MODE		UNIT
		MIN.	MAX.	MIN.	MAX.	
Clock frequency	f <sub>(SMBCLK)</sub>	10	100	10	400	kHz
Bus free time between start and stop condition	t <sub>(BUF)</sub>	4.7	-	1.3	-	µs
Hold time after (repeated) start condition; after this period, the first clock is generated	t <sub>(HDSTA)</sub>	4.0	-	0.6	-	µs
Repeated start condition setup time	t <sub>(SUSTA)</sub>	4.7	-	0.6	-	µs
Stop condition setup time	t <sub>(SUSTO)</sub>	4.0	-	0.6	-	µs
Data hold time	t <sub>(HDDAT)</sub>	-	3450	-	900	ns
Data setup time	t <sub>(SUDAT)</sub>	250	-	100	-	ns
I <sup>2</sup> C clock (SCK) low period	t <sub>(LOW)</sub>	4.7	-	1.3	-	µs
I <sup>2</sup> C clock (SCK) high period	t <sub>(HIGH)</sub>	4.0	-	0.6	-	µs
Clock / data fall time	t <sub>(F)</sub>	-	300	-	300	ns
Clock / data rise time	t <sub>(R)</sub>	-	1000	-	300	ns

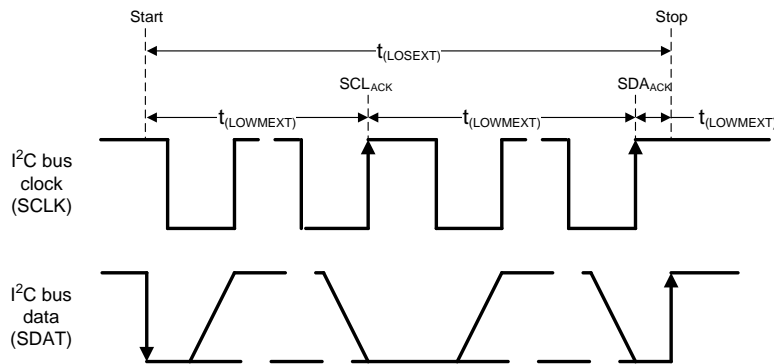
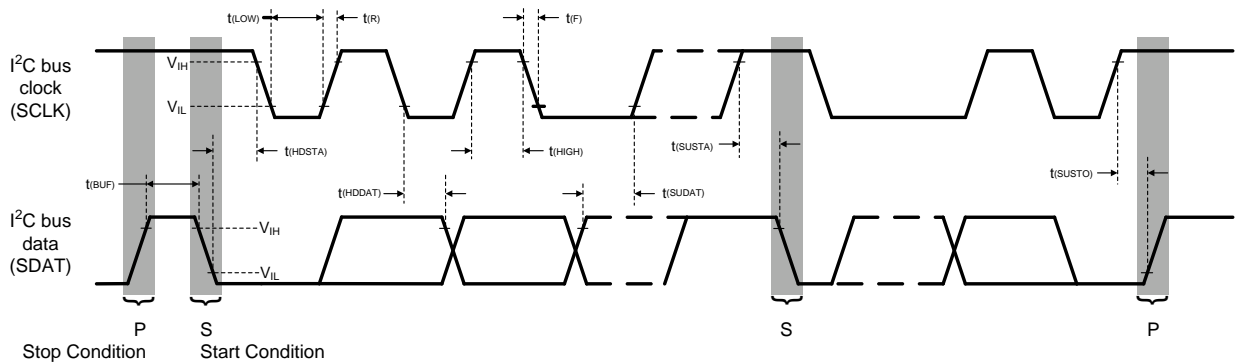


Fig. 1 - I<sup>2</sup>C Bus Timing Diagram



PARAMETER TIMING INFORMATION

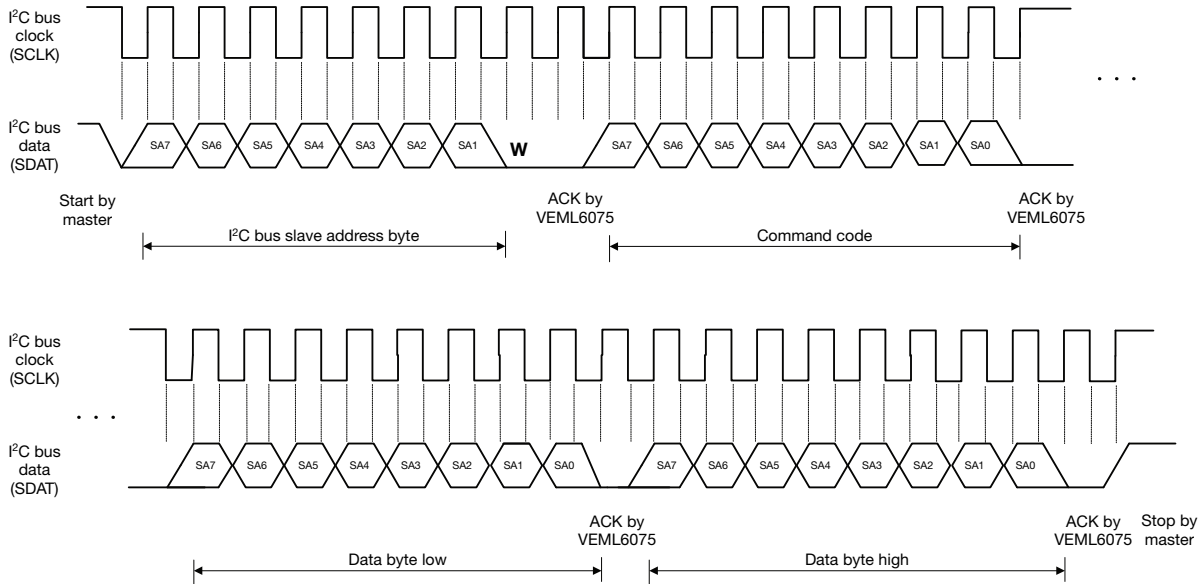


Fig. 2 - I<sup>2</sup>C Bus Timing for Sending Word Command Format

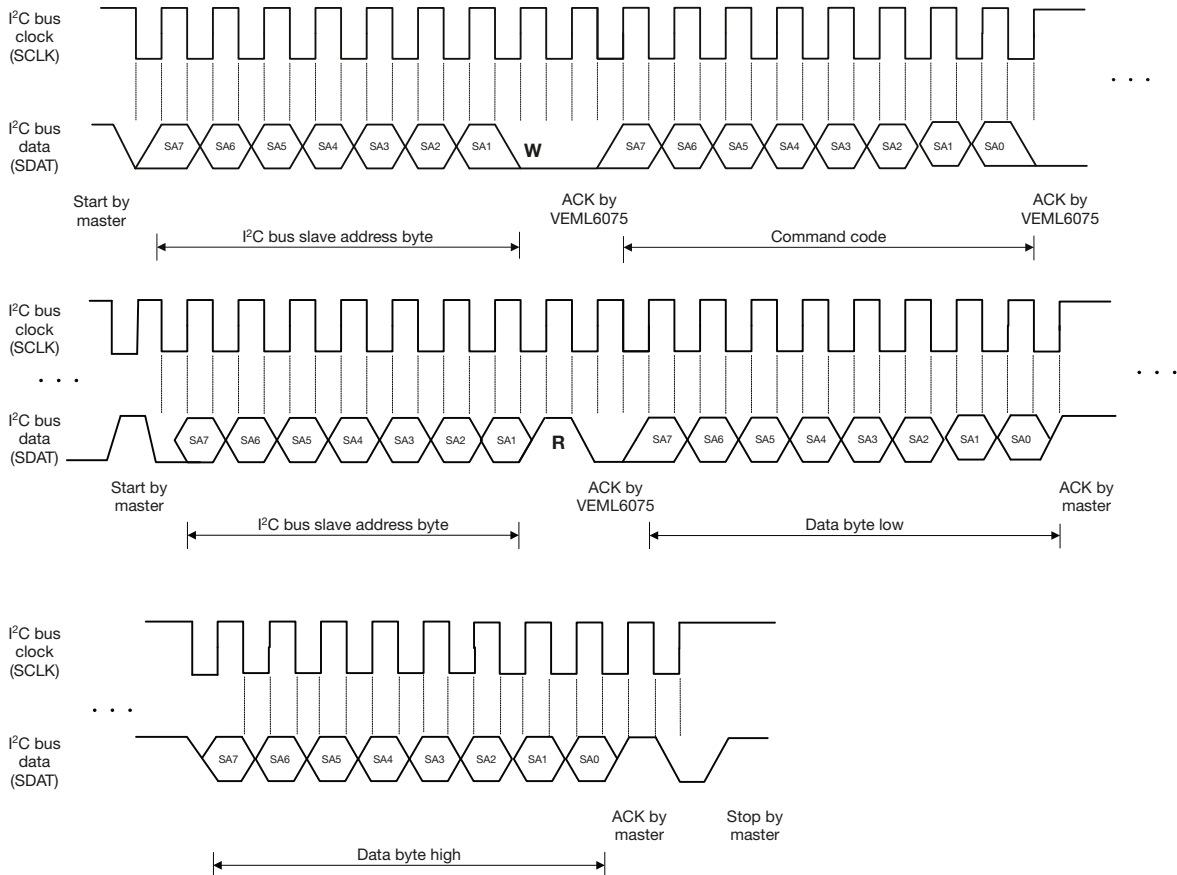


Fig. 3 - I<sup>2</sup>C Timing for Receive Word Command Format

**TYPICAL PERFORMANCE CHARACTERISTICS** ( $T_{amb} = 25\text{ }^{\circ}\text{C}$ , unless otherwise specified)

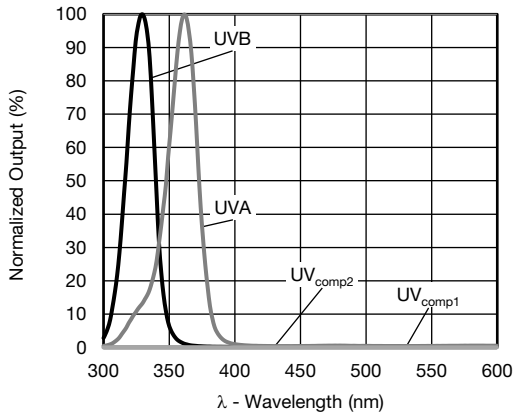


Fig. 4 - Normalized Spectral Response

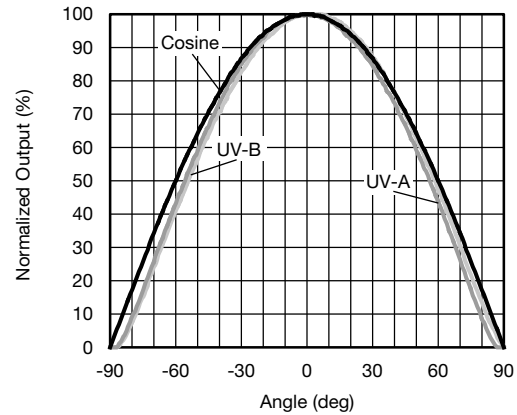


Fig. 5 - Normalized Output vs. View Angle

**APPLICATION INFORMATION**

**Pin Connection with the Host**

The configuration and data registers of the VEML6075 are accessed via the I<sup>2</sup>C interface. The hardware schematic is shown below in fig. 6.

The 0.1  $\mu\text{F}$  capacitor near the V<sub>DD</sub> pin is used for power supply noise rejection. The 2.2 k $\Omega$  is suitable for the pull high resistor of I<sup>2</sup>C.

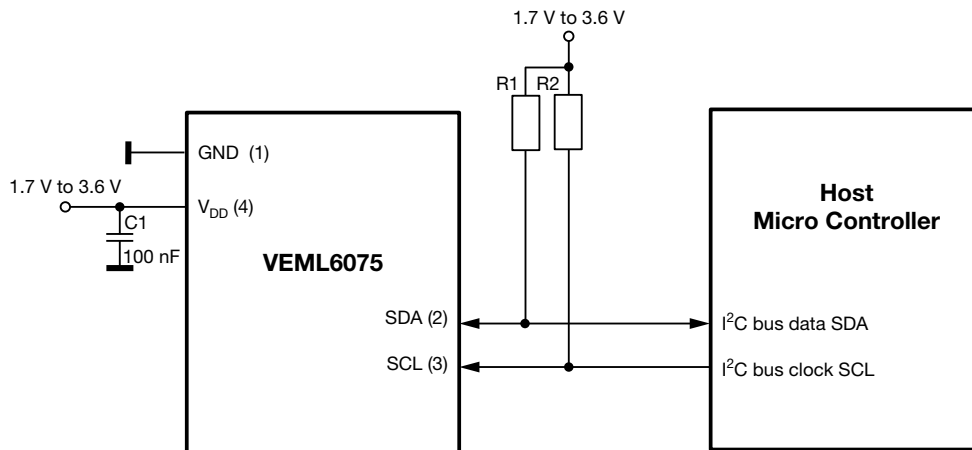


Fig. 6 - Hardware Pin Connection Diagram

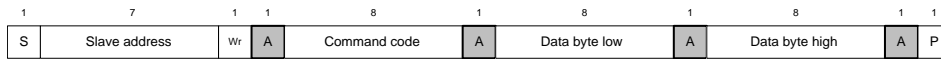


**Digital Interface**

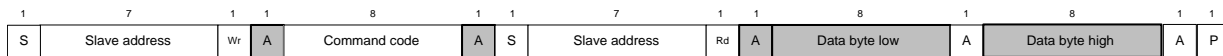
The VEML6075 contains a CONF register (00h) used for operation control and parameter setup. Measurement results are stored in four separate registers, one each for UVA, UVB, UV<sub>comp1</sub>, and UV<sub>comp2</sub> (07h to 0Bh respectively). All registers are accessible via I<sup>2</sup>C communication. Fig. 7 shows the basic I<sup>2</sup>C communication with the VEML6075. Each of the registers in the VEML6075 are 16 bit wide, so 16 bit should be written when a write command is sent, and 16 bit should be read when a read command is sent.

The built in I<sup>2</sup>C interface is compatible with I<sup>2</sup>C modes “standard” and “fast”: 100 kHz to 400 kHz

Send Word → Write Command to VEML6075



Receive Word → Read Data from VEML6075



S = start condition  
 P = stop condition  
 A = acknowledge  
 Shaded area = VEML6075 acknowledge

Fig. 7 - Command Protocol Format

**Note**

- Please note the repeat start condition when data is read from the sensor. A stop condition should not be sent here.

**Slave Address and Function Description**

VEML6075 uses 0x10 slave address for 7-bit I<sup>2</sup>C addressing protocol. VEML6075 has 16-bit resolution for each channel (UVA, UVB, UV<sub>comp1</sub>, and UV<sub>comp2</sub>).

TABLE 1 - VEML6075 COMMAND CODE AND REGISTER DESCRIPTION					
COMMAND CODE	DATE BYTE LOW / HIGH	REGISTER NAME	R / W	DEFAULT VALUE	FUNCTION DESCRIPTION
00h	L	UV_CONF	R / W	0x00	UV integration time, function enable and disable
	H	Reserved	R / W	0x00	Reserved
01h	L	Reserved	R / W	0x00	Reserved
	H	Reserved	R / W	0x00	Reserved
02h	L	Reserved	R / W	0x00	Reserved
	H	Reserved	R / W	0x00	Reserved
03h	L	Reserved	R / W	0x00	Reserved
	H	Reserved	R / W	0x00	Reserved
04h	L	Reserved	R / W	0x00	Reserved
	H	Reserved	R / W	0x00	Reserved
05h	L	Reserved	R / W	0x00	Reserved
	H	Reserved	R / W	0x00	Reserved
06h	L	Reserved	R / W	0x00	Reserved
	H	Reserved	R / W	0x00	Reserved
07h	L	UVA_Data	R	0x00	UVA LSB output data
	H	UVA_Data	R	0x00	UVA MSB output data
08h	L	Reserved	R	0x00	Reserved
	H	Reserved	R	0x00	Reserved
09h	L	UVB_Data	R	0x00	UVB LSB output data
	H	UVB_Data	R	0x00	UVB MSB output data
0Ah	L	UVCOMP1_Data	R	0x00	UV <sub>comp1</sub> LSB output data
	H	UVCOMP1_Data	R	0x00	UV <sub>comp1</sub> MSB output data
0Bh	L	UVCOMP2_Data	R	0x00	UV <sub>comp2</sub> LSB output data
	H	UVCOMP2_Data	R	0x00	UV <sub>comp2</sub> MSB output data

**TABLE 1 - VEML6075 COMMAND CODE AND REGISTER DESCRIPTION**

COMMAND CODE	DATE BYTE LOW / HIGH	REGISTER NAME	R / W	DEFAULT VALUE	FUNCTION DESCRIPTION
0Ch	L	ID	R	0x26	Device ID LSB
	H	ID	R	0x00	Device ID MSB

**Command Register Format**

The VEML6075 has 16-bit registers used to set up the measurements as well as pick up the measurement results. The description of each command format is shown in the following tables.

**TABLE 2 - REGISTER UV\_CONF DESCRIPTION**

REGISTER NAME		COMMAND CODE: 0x00_L (0x00 DATA BYTE LOW) OR 0x00_H (0x00 DATA BYTE HIGH)							
COMMAND	BIT	7	6	5	4	3	2	1	0
<b>REGISTER: UV_CONF</b>		<b>COMMAND CODE: 0x00_L (0x00 DATA BYTE LOW)</b>							
COMMAND	BIT	Description							
Reserved	7	0							
UV_IT	6 : 4	(0 : 0 : 0) = 50 ms, (0 : 0 : 1) = 100 ms, (0 : 1 : 0) = 200 ms, (0 : 1 : 1) = 400 ms, (1 : 0 : 0) = 800 ms, (1 : 0 : 1) = reserved, (1 : 1 : 0) = reserved, (1 : 1 : 1) = reserved.							
HD	3	0 = normal dynamic setting, 1 = high dynamic setting							
UV_TRIG	2	0 = no active force mode trigger, 1 = trigger one measurement With UV_AF = 1 the VEML6075 conducts one measurement every time the host writes UV_Trig = 1. This bit returns to "0" automatically.							
UV_AF	1	0 = active force mode disable (normal mode), 1 = active force mode enable							
SD	0	0 = power on, 1 = shut down							

**TABLE 3 - REGISTER 00\_H DESCRIPTION**

REGISTER: reserved		COMMAND CODE: 0x00_H (0x00 DATA BYTE HIGH)							
COMMAND	BIT	Description							
Reserved	7 : 0	Default = (0 : 0 : 0 : 0 : 0 : 0 : 0 : 0)							

**TABLE 4 - REGISTER 01\_L TO 06\_L AND 08\_L; 01\_H TO 06\_H AND 08\_H DESCRIPTION**

REGISTER: reserved		COMMAND CODE: 0x01_L TO 0x06_L AND 0x08_L (0x01 TO 0x06 AND 0x08_L DATA BYTE LOW) COMMAND CODE: 0x01_H TO 0x06_H AND 0x08_H (0x01 TO 0x06 AND 0x08_H DATA BYTE HIGH)							
REGISTER	BIT	Description							
Reserved	7 : 0	Default = (0 : 0 : 0 : 0 : 0 : 0 : 0 : 0)							
Reserved	7 : 0	Default = (0 : 0 : 0 : 0 : 0 : 0 : 0 : 0)							

**TABLE 5 - READ OUT COMMAND CODES DESCRIPTION**

REGISTER	COMMAND CODE	BIT	DESCRIPTION
UVA_DATA	0x07_L (0x07 data byte low)	7 : 0	0x00 to 0xFF, UVA LSB output data
	0x07_H (0x07 data byte high)	7 : 0	0x00 to 0xFF, UVA MSB output data
UVB_DATA	0x09_L (0x09 data byte low)	7 : 0	0x00 to 0xFF, UVB LSB output data
	0x09_H (0x09 data byte high)	7 : 0	0x00 to 0xFF, UVB MSB output data
UVCOMP1_DATA	0x0A_L (0x0A data byte low)	7 : 0	0x00 to 0xFF, UV <sub>comp1</sub> LSB output data
	0x0A_H (0x0A data byte high)	7 : 0	0x00 to 0xFF, UV <sub>comp1</sub> MSB output data
UVCOMP2_DATA	0x0B_L (0x0B data byte low)	7 : 0	0x00 to 0xFF, UV <sub>comp2</sub> LSB output data
	0x0B_H (0x0B data byte high)	7 : 0	0x00 to 0xFF, UV <sub>comp2</sub> MSB output data
ID	0x0C_L (0x0C data byte low)	7 : 0	Default = 0x26, device ID LSB byte
	0x0C_H (0x0C data byte high)	7 : 6	Company code = 00, (0 : 0),
		5 : 4	slave address = 0x20,
		3 : 0	version code (0 : 0 : 0 : 0) = VEML6075 CS, device ID MSB byte





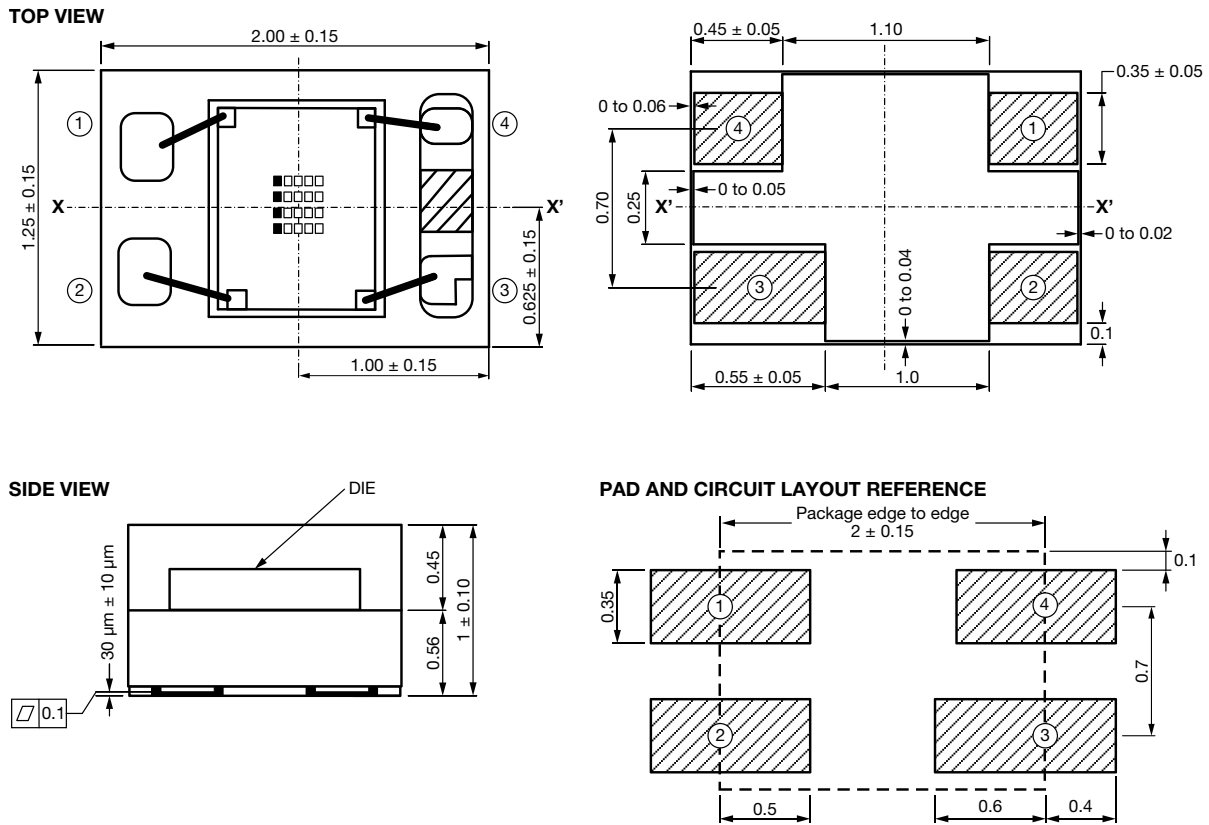


Fig. 8 - VEML6075 A3OP Package Dimensions



RECOMMENDED STORAGE AND REBAKING CONDITIONS				
PARAMETER	CONDITIONS	MIN.	MAX.	UNIT
Storage temperature		5	50	°C
Relative humidity		-	60	%
Open time		-	168	h
Total time	From the date code on the aluminized envelope (unopened)	-	12	months
Rebaking	Tape and reel: 60 °C	-	22	h
	Tube: 60 °C	-	22	h

**RECOMMENDED INFRARED REFLOW**

Soldering conditions which are based on J-STD-020 C.

IR REFLOW PROFILE CONDITION			
PARAMETER	CONDITIONS	TEMPERATURE	TIME
Peak temperature		255 °C + 0 °C / - 5 °C (max.: 260 °C)	10 s
Preheat temperature range and timing		150 °C to 200 °C	60 s to 180 s
Timing within 5 °C to peak temperature		-	10 s to 30 s
Timing maintained above temperature / time		217 °C	60 s to 150 s
Timing from 25 °C to peak temperature		-	8 min (max.)
Ramp-up rate		3 °C/s (max.)	-
Ramp-down rate		6 °C/s (max.)	-

Recommend Normal Solder Reflow is 235 °C to 255 °C

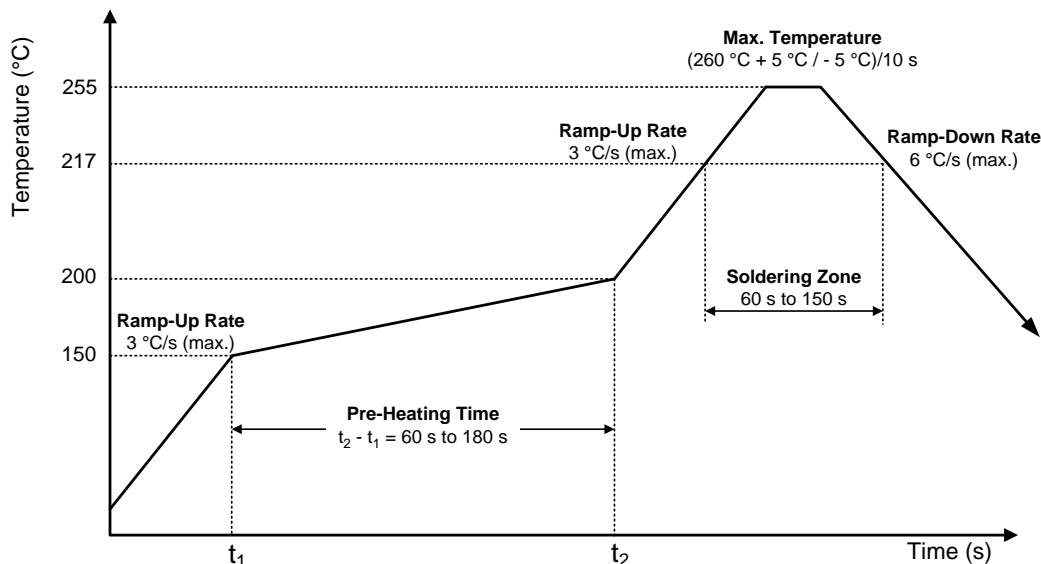


Fig. 9 - VEML6075 OPLGA Solder Reflow Profile Chart

**RECOMMENDED IRON TIP SOLDERING CONDITION AND WARNING HANDLING**

1. Solder the device with the following conditions:
  - 1.1. Soldering temperature: 400 °C (max.)
  - 1.2. Soldering time: 3 s (max.)
2. If the temperature of the method portion rises in addition to the residual stress between the leads, the possibility that an open or short circuit occurs due to the deformation or destruction of the resin increases.
3. The following methods: VPS and wave soldering, have not been suggested for the component assembly.
4. Cleaning method conditions:
  - 4.1. Solvent: methyl alcohol, ethyl alcohol, isopropyl alcohol
  - 4.2. Solvent temperature < 45 °C (max.)



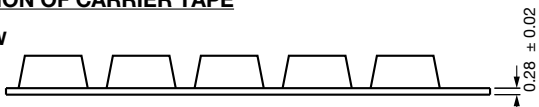
4.3. Time: 3 min (min.)



**TAPE PACKAGING INFORMATION** in millimeters

**DIMENSION OF CARRIER TAPE**

SIDE VIEW



TOP VIEW

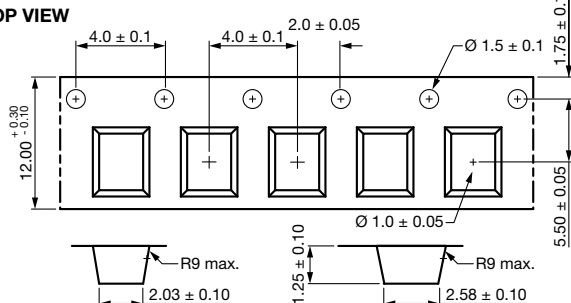


Fig. 10 - VEML6070 A3OP Package Carrier Tape

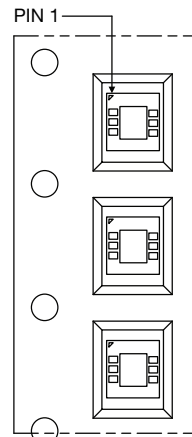


Fig. 11 - Taping Direction

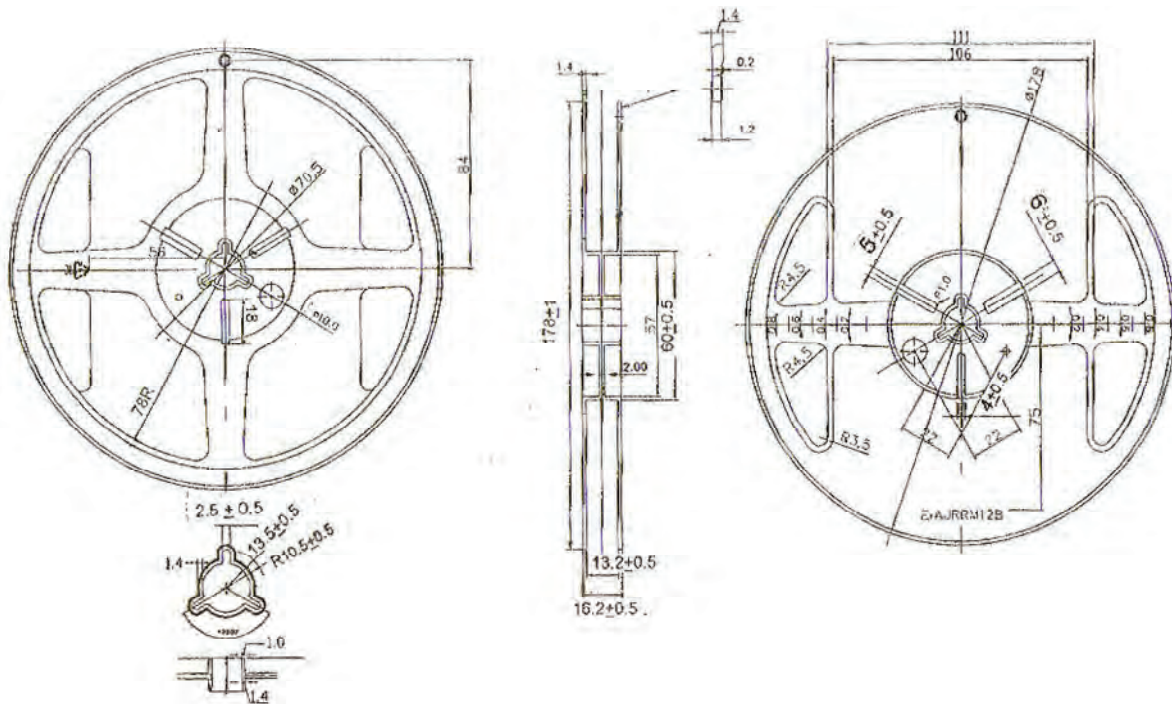


Fig. 12 - Reel Dimension



## **Disclaimer**

ALL PRODUCT, PRODUCT SPECIFICATIONS AND DATA ARE SUBJECT TO CHANGE WITHOUT NOTICE TO IMPROVE RELIABILITY, FUNCTION OR DESIGN OR OTHERWISE.

Vishay Intertechnology, Inc., its affiliates, agents, and employees, and all persons acting on its or their behalf (collectively, "Vishay"), disclaim any and all liability for any errors, inaccuracies or incompleteness contained in any datasheet or in any other disclosure relating to any product.

Vishay makes no warranty, representation or guarantee regarding the suitability of the products for any particular purpose or the continuing production of any product. To the maximum extent permitted by applicable law, Vishay disclaims (i) any and all liability arising out of the application or use of any product, (ii) any and all liability, including without limitation special, consequential or incidental damages, and (iii) any and all implied warranties, including warranties of fitness for particular purpose, non-infringement and merchantability.

Statements regarding the suitability of products for certain types of applications are based on Vishay's knowledge of typical requirements that are often placed on Vishay products in generic applications. Such statements are not binding statements about the suitability of products for a particular application. It is the customer's responsibility to validate that a particular product with the properties described in the product specification is suitable for use in a particular application. Parameters provided in datasheets and / or specifications may vary in different applications and performance may vary over time. All operating parameters, including typical parameters, must be validated for each customer application by the customer's technical experts. Product specifications do not expand or otherwise modify Vishay's terms and conditions of purchase, including but not limited to the warranty expressed therein.

Except as expressly indicated in writing, Vishay products are not designed for use in medical, life-saving, or life-sustaining applications or for any other application in which the failure of the Vishay product could result in personal injury or death. Customers using or selling Vishay products not expressly indicated for use in such applications do so at their own risk. Please contact authorized Vishay personnel to obtain written terms and conditions regarding products designed for such applications.

No license, express or implied, by estoppel or otherwise, to any intellectual property rights is granted by this document or by any conduct of Vishay. Product names and markings noted herein may be trademarks of their respective owners.