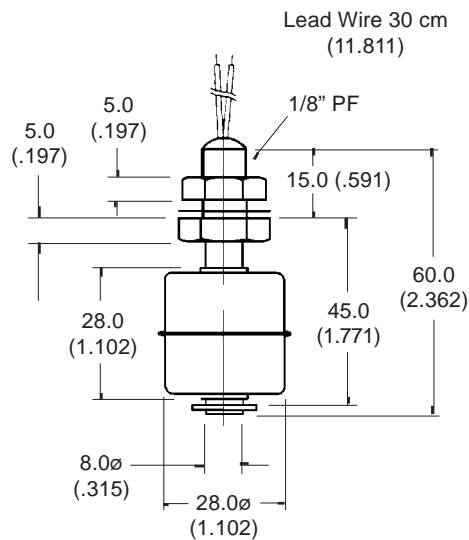


Comus Group of Companies

PRODUCT DATA SHEET



Drawings not to scale
All dimensions in mm (inches) nominal

UL approved

SPECIFICATION

		Reversible Float
SWITCHING VOLTAGE	Max. V	240 Vac/200 Vdc
SWITCHING CURRENT	Max. A	0.5
CARRY CURRENT	Max. A	1.0
SWITCHING CAPACITY	Max. VA	50
CONTACT RESISTANCE	Max. mΩ	200
LEAD WIRE		XLPE (UL3266, AWG22)
OPERATING PRESSURE	Max. Kg/cm ²	10
OPERATING TEMPERATURE	Deg. °C	-10° +120°
MATERIAL		Stainless Steel SUS304
SUITABLE SPECIFIC GRAVITY		0.8
WEIGHT	gm.	35
CLEARANCE HOLE DIA.	mm.	17

FLOAT - Reed Switch - Stainless Steel

PART NUMBER
VFS30

Rev. No.	Revision Note	Date	Signature
A	Web Site 2003	1-7-03	RG

The Comus Group of Companies consist of:
Assemtech Europe Limited
E. Bachem GmbH
Comus International
W. Gunther GmbH
Gunther Belgium
Gunther France