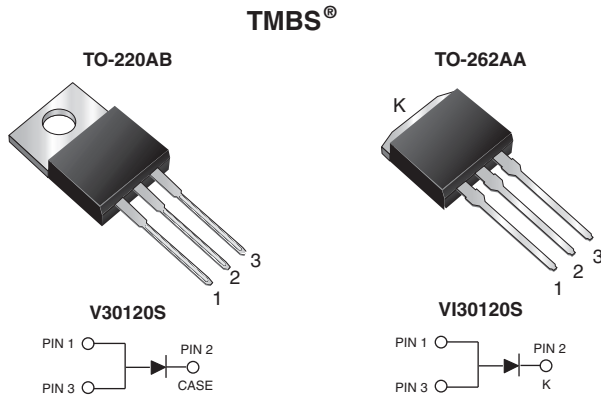


# High Voltage Trench MOS Barrier Schottky Rectifier

 Ultra Low  $V_F = 0.43 \text{ V}$  at  $I_F = 5 \text{ A}$ 


## FEATURES

- Trench MOS Schottky technology
- Low forward voltage drop, low power losses
- High efficiency operation
- Solder dip 275 °C max. 10 s, per JESD 22-B106
- AEC-Q101 qualified
- Material categorization: For definitions of compliance please see [www.vishay.com/doc?99912](http://www.vishay.com/doc?99912)


**RoHS**  
 COMPLIANT  
 HALOGEN  
**FREE**

## TYPICAL APPLICATIONS

For use in high frequency DC/DC converters, switching power supplies, freewheeling diodes, OR-ing diode, and reverse battery protection.

## MECHANICAL DATA

**Case:** TO-220AB and TO-262AA

Molding compound meets UL 94 V-0 flammability rating  
 Base P/N-M3 - halogen-free, RoHS-compliant, and commercial grade

Base P/NHM3 - halogen-free, RoHS-compliant, and AEC-Q101 qualified

**Terminals:** Matte tin plated leads, solderable per J-STD-002 and JESD 22-B102

M3 suffix meets JESD 201 class 1A whisker test, HM3 suffix meets JESD 201 class 2 whisker test

**Polarity:** As marked

**Mounting Torque:** 10 in-lbs max.

| PRIMARY CHARACTERISTICS       |                    |
|-------------------------------|--------------------|
| $I_{F(AV)}$                   | 30 A               |
| $V_{RRM}$                     | 120 V              |
| $I_{FSM}$                     | 300 A              |
| $V_F$ at $I_F = 30 \text{ A}$ | 0.74 V             |
| $T_J$ max.                    | 150 °C             |
| Package                       | TO-220AB, TO-262AA |
| Diode variation               | Single             |

| MAXIMUM RATINGS ( $T_A = 25 \text{ °C}$ unless otherwise noted)                    |                |               |          |            |
|--|----------------|---------------|----------|------------|
| PARAMETER  | SYMBOL         | V30120S       | VI30120S | UNIT       |
| Max. repetitive peak reverse voltage   | $V_{RRM}$      | 120           |          | V          |
| Max. average forward rectified current (fig. 1)                                    | $I_{F(AV)}$    | 30            |          | A          |
| Peak forward surge current 8.3 ms single half sine-wave superimposed on rated load | $I_{FSM}$      | 300           |          | A          |
| Voltage rate of change (rated $V_R$ )  | dV/dt          | 10 000        |          | V/ $\mu$ s |
| Operating junction and storage temperature range                                   | $T_J, T_{STG}$ | - 40 to + 150 |          | °C         |



| <b>ELECTRICAL CHARACTERISTICS</b> ( $T_A = 25\text{ }^\circ\text{C}$ unless otherwise noted) |                      |                                   |             |      |      |               |
|--|----------------------|-----------------------------------|-------------|------|------|---------------|
| PARAMETER  | TEST CONDITIONS      |                                   | SYMBOL      | TYP. | MAX. | UNIT          |
| Instantaneous forward voltage  | $I_F = 5\text{ A}$   | $T_A = 25\text{ }^\circ\text{C}$  | $V_F^{(1)}$ | 0.50 | -    | V             |
|  | $I_F = 15\text{ A}$  |                                   |             | 0.70 | -    |               |
|  | $I_F = 30\text{ A}$  |                                   |             | 0.99 | 1.10 |               |
|  | $I_F = 5\text{ A}$   | $T_A = 125\text{ }^\circ\text{C}$ |             | 0.43 | -    |               |
|  | $I_F = 15\text{ A}$  |                                   |             | 0.60 | -    |               |
|  | $I_F = 30\text{ A}$  |                                   |             | 0.74 | 0.82 |               |
| Reverse current  | $V_R = 90\text{ V}$  | $T_A = 25\text{ }^\circ\text{C}$  | $I_R^{(2)}$ | 18   | -    | $\mu\text{A}$ |
|  |                      | $T_A = 125\text{ }^\circ\text{C}$ |             | 12   | -    | mA            |
|  | $V_R = 120\text{ V}$ | $T_A = 25\text{ }^\circ\text{C}$  |             | -    | 500  | $\mu\text{A}$ |
|  |                      | $T_A = 125\text{ }^\circ\text{C}$ |             | 22   | 35   | mA            |

**Notes**(1) Pulse test: 300  $\mu\text{s}$  pulse width, 1 % duty cycle(2) Pulse test: Pulse width  $\leq 40\text{ ms}$ 

| <b>THERMAL CHARACTERISTICS</b> ( $T_A = 25\text{ }^\circ\text{C}$ unless otherwise noted) |                       |         |          |                    |
|---|-----------------------|---------|----------|--------------------|
| PARAMETER   | SYMBOL                | V30120S | VI30120S | UNIT               |
| Typical thermal resistance  | $R_{\theta\text{JC}}$ | 1.6     |          | $^\circ\text{C/W}$ |

| <b>ORDERING INFORMATION</b> (Example) |                               |                 |              |               |               |
|---------------------------------------|-------------------------------|-----------------|--------------|---------------|---------------|
| PACKAGE                               | PREFERRED P/N                 | UNIT WEIGHT (g) | PACKAGE CODE | BASE QUANTITY | DELIVERY MODE |
| TO-220AB                              | V30120S-M3/4W                 | 1.88            | 4W           | 50/tube       | Tube          |
| TO-262AA                              | VI30120S-M3/4W                | 1.45            | 4W           | 50/tube       | Tube          |
| TO-220AB                              | V30120SHM3/4W <sup>(1)</sup>  | 1.88            | 4W           | 50/tube       | Tube          |
| TO-262AA                              | VI30120SHM3/4W <sup>(1)</sup> | 1.45            | 4W           | 50/tube       | Tube          |

**Note**

(1) AEC-Q101 qualified

**RATINGS AND CHARACTERISTICS CURVES** ( $T_A = 25\text{ }^\circ\text{C}$  unless otherwise noted)

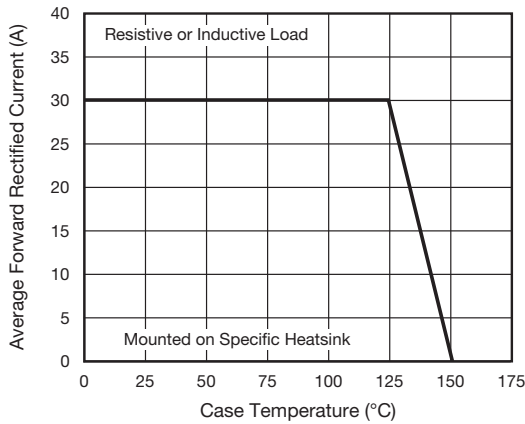


Fig. 1 - Forward Current Derating Curve

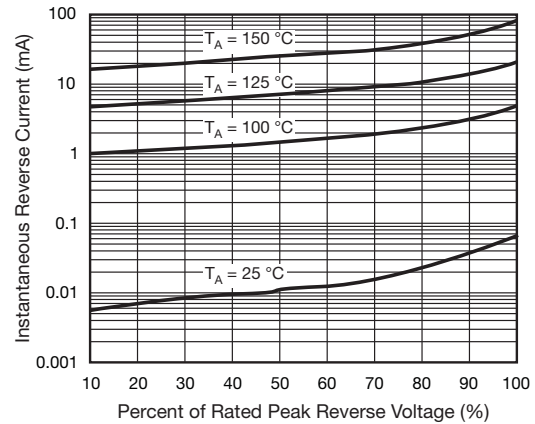


Fig. 4 - Typical Reverse Characteristics

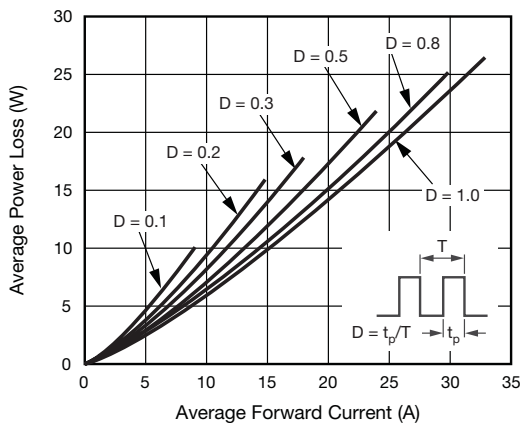


Fig. 2 - Forward Power Loss Characteristics

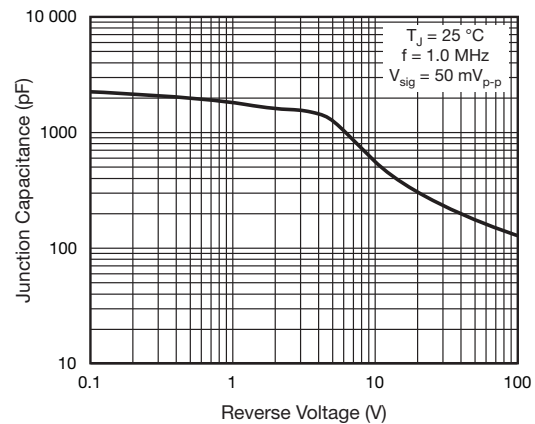


Fig. 5 - Typical Junction Capacitance

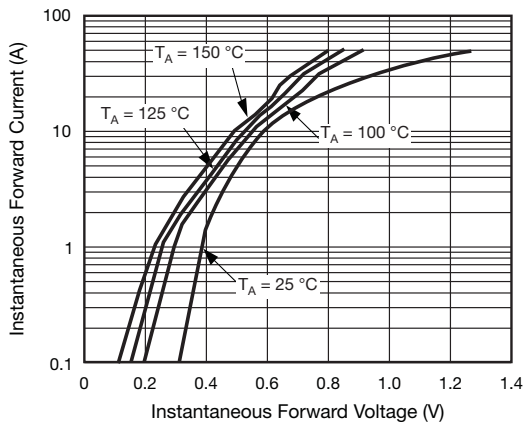


Fig. 3 - Typical Instantaneous Forward Characteristics

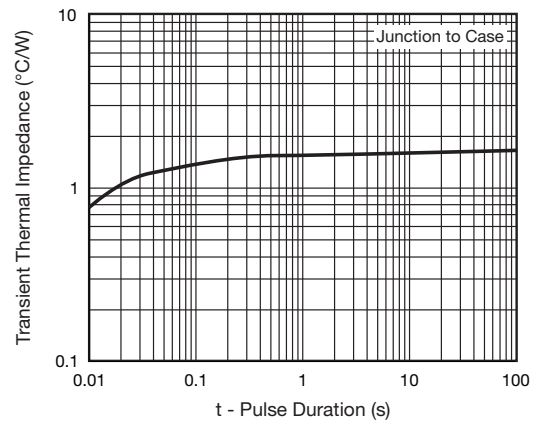
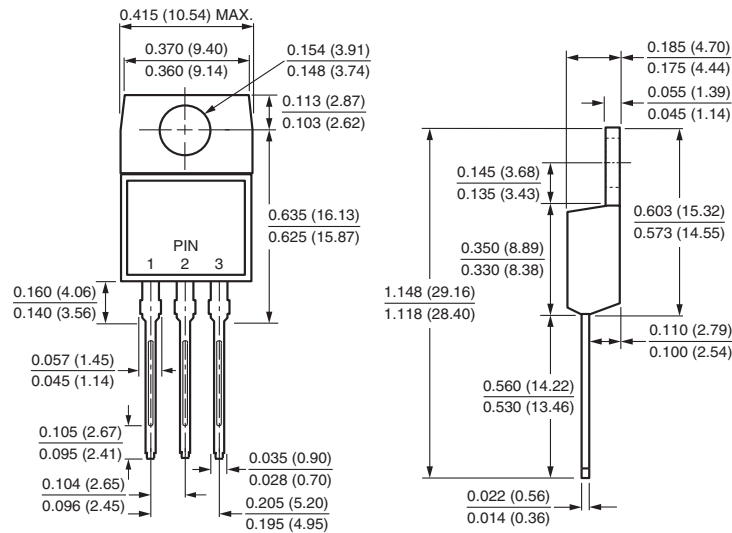


Fig. 6 - Typical Transient Thermal Impedance

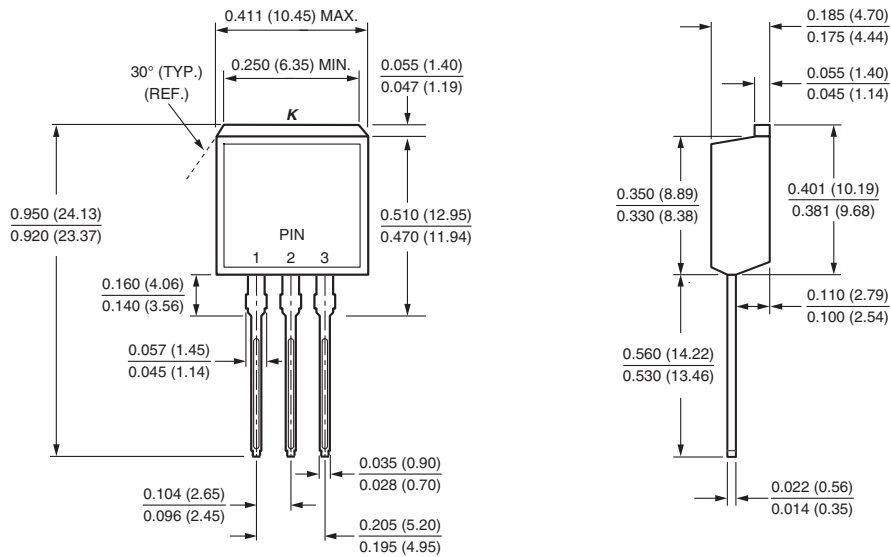


PACKAGE OUTLINE DIMENSIONS in inches (millimeters)

TO-220AB



TO-262AA





## Disclaimer

ALL PRODUCT, PRODUCT SPECIFICATIONS AND DATA ARE SUBJECT TO CHANGE WITHOUT NOTICE TO IMPROVE RELIABILITY, FUNCTION OR DESIGN OR OTHERWISE.

Vishay Intertechnology, Inc., its affiliates, agents, and employees, and all persons acting on its or their behalf (collectively, "Vishay"), disclaim any and all liability for any errors, inaccuracies or incompleteness contained in any datasheet or in any other disclosure relating to any product.

Vishay makes no warranty, representation or guarantee regarding the suitability of the products for any particular purpose or the continuing production of any product. To the maximum extent permitted by applicable law, Vishay disclaims (i) any and all liability arising out of the application or use of any product, (ii) any and all liability, including without limitation special, consequential or incidental damages, and (iii) any and all implied warranties, including warranties of fitness for particular purpose, non-infringement and merchantability.

Statements regarding the suitability of products for certain types of applications are based on Vishay's knowledge of typical requirements that are often placed on Vishay products in generic applications. Such statements are not binding statements about the suitability of products for a particular application. It is the customer's responsibility to validate that a particular product with the properties described in the product specification is suitable for use in a particular application. Parameters provided in datasheets and/or specifications may vary in different applications and performance may vary over time. All operating parameters, including typical parameters, must be validated for each customer application by the customer's technical experts. Product specifications do not expand or otherwise modify Vishay's terms and conditions of purchase, including but not limited to the warranty expressed therein.

Except as expressly indicated in writing, Vishay products are not designed for use in medical, life-saving, or life-sustaining applications or for any other application in which the failure of the Vishay product could result in personal injury or death. Customers using or selling Vishay products not expressly indicated for use in such applications do so at their own risk. Please contact authorized Vishay personnel to obtain written terms and conditions regarding products designed for such applications.

No license, express or implied, by estoppel or otherwise, to any intellectual property rights is granted by this document or by any conduct of Vishay. Product names and markings noted herein may be trademarks of their respective owners.

## Material Category Policy

**Vishay Intertechnology, Inc. hereby certifies that all its products that are identified as RoHS-Compliant fulfill the definitions and restrictions defined under Directive 2011/65/EU of The European Parliament and of the Council of June 8, 2011 on the restriction of the use of certain hazardous substances in electrical and electronic equipment (EEE) - recast, unless otherwise specified as non-compliant.**

**Please note that some Vishay documentation may still make reference to RoHS Directive 2002/95/EC. We confirm that all the products identified as being compliant to Directive 2002/95/EC conform to Directive 2011/65/EU.**

**Vishay Intertechnology, Inc. hereby certifies that all its products that are identified as Halogen-Free follow Halogen-Free requirements as per JEDEC JS709A standards. Please note that some Vishay documentation may still make reference to the IEC 61249-2-21 definition. We confirm that all the products identified as being compliant to IEC 61249-2-21 conform to JEDEC JS709A standards.**