

Hardware Reference Manual

DOC. REV. Oct 2016

Bengal (VL-EPMe-30)

Intel® Atom™-based Single Board Computer with Dual Ethernet, Video, USB, SATA, Serial I/O, Digital I/O, Trusted Platform Module security, Counter/Timers, Mini PCIe, mSATA, SPX, and PCIe/104™ OneBank™ Interface





WWW.VERSALOGIC.COM

12100 SW Tualatin Road
Tualatin, OR 97062-7341
(503) 747-2261
Fax (971) 224-4708

Copyright © 2016 VersaLogic Corp. All rights reserved.

Notice:

Although every effort has been made to ensure this document is error-free, VersaLogic makes no representations or warranties with respect to this product and specifically disclaims any implied warranties of merchantability or fitness for any particular purpose.

VersaLogic reserves the right to revise this product and associated documentation at any time without obligation to notify anyone of such changes.

† Other names and brands may be claimed as the property of others.

Product Release Notes

- Rev 3.03** ▪ Added PCIe/104 Onebank connector pinout table
- Rev 3.02** ▪ Updated mini DisplayPort cable information
- Rev 3.01** ▪ Updated SPX information
 - Updated Table 10 J18 pinouts
 - Updated CBR-5015 Caution text
 - Added heat pipe content
- Rev 3.00** ▪ Replaced “Linux” with “Windows” in the Integrator’s Note on page 7
- Rev 2.02** ▪ Added ambient temperature requirements to .Thermal Considerations chapter
 - Added information about VL-CBR-0203 external battery module on page 28
- Rev 2.01** ▪ Corrected dimensions in Figure 4
 - Added Table 11, Figure 15, Figure 16, Figure 17
- Rev 2.00** ▪ Production release for the Rev 2.0 board
 - VGA connector replaced with a more durable design
 - Miscellaneous BIOS updates
- Rev 1.00** ▪ Pre-production release for the Rev 1.0 board

Support Page

The [Bengal Support Page](#) contains additional information and resources for this product including:

- Operating system information and software drivers
- Data sheets and manufacturers’ links for chips used in this product
- BIOS information and upgrades

VersaTech KnowledgeBase

The [VersaTech KnowledgeBase](#) contains useful technical information about VersaLogic products, and product advisories.

Customer Support

If you are unable to solve a problem after reading this manual, visiting the product support page, or searching the KnowledgeBase, contact VersaLogic Technical Support at (503) 747-2261. VersaLogic support engineers are also available via e-mail at Support@VersaLogic.com.

Repair Service

If your product requires service, you must obtain a Returned Material Authorization (RMA) number by calling 503-747-2261. Be ready to provide the following information:

- Your name, the name of your company, your phone number, and e-mail address
- The name of a technician or engineer that can be contacted if any questions arise
- The quantity of items being returned
- The model and serial number (barcode) of each item
- A detailed description of the problem
- Steps you have taken to resolve or recreate the problem
- The return shipping address

Warranty Repair All parts and labor charges are covered, including return shipping charges for UPS Ground delivery to United States addresses.

Non-warranty Repair All approved non-warranty repairs are subject to diagnosis and labor charges, parts charges and return shipping fees. Specify the shipping method you prefer and provide a purchase order number for invoicing the repair.



Note: Mark the RMA number clearly on the outside of the box before returning.

Hardware

- The PCIe Minicard and the two PCIe Express ports on the PCIe/104[†] OneBank[†] connector are connected to an on-board PCIe Gen2 Switch (a PLX PEX 8605). Certain older, non-compliant Gen 1 devices will not link up properly with this switch (such as the Startech MPEXSATA221 PCIe-to-SATA bridge using a Silicon Image Si3132 bridge).
- Holding the reset button in when powering on the board prevents booting and requires a re-power. Make sure the reset button is not being asserted low when powering on the board.
- If the +5 V input voltage is low (below +5 V) and the wires to the power supply are long (greater than 12 inches) or too low of a gauge (less than 16 AWG) the board may take longer to power on due to in-rush current causing a droop on the + 5 V power at the power connector input. This droop in the +5 V power causes the board to switch the regulators off and then back on again. Typically, this results in only a short delay (less than 1 second). Users should measure the +5 V power at the connector with their particular power delivery system to see if the voltage at that point ever drops below about +4.75 V when power is applied.

BIOS

- S3 wake using power button may require keyboard/mouse activity to turn on the display.
- The first display port (J3) can also support HDMI (it is a DP++ port). To support HDMI there are two options:
 - Use an active DP-to-HDMI adapter
 - Use a passive DP-to-HDMI adapter and request a custom BIOS from VersaLogic.
- Legacy USB support is not available in xHCI (USB 3.0) mode. Non-UEFI pre-OS and installation environments may require EHCI (USB 2.0) mode for USB keyboard functionality.

Operating Systems

- Driver support (via VersaAPI) for SPX-5 module and I²C PWM output are not yet available.

Contents

Introduction	1
Description.....	1
Features and Construction	1
Technical Specifications.....	3
Thermal Considerations.....	3
Block Diagram.....	4
Cautions	5
Electrostatic Discharge	5
Handling Care	5
Earth Ground Requirement.....	5
Battery Usage.....	5
Configuration and Setup.....	6
Initial Configuration	6
Basic Setup	6
BIOS Setup Utility.....	7
Operating System Installation.....	7
Physical Layout	8
Dimensions and Mounting.....	8
Bengal Dimensions	8
VL-CBR-5015 Dimensions	9
Hardware Assembly.....	9
External Connectors	10
Bengal Connector Locations – Top Side.....	10
Bengal Connector Locations – Bottom Side	11
Bengal Connector Functions and Interface Cables.....	12
VL-CBR-5015 Connector Locations	14
VL-CBR-5015 Connector Functions	15
VL-CBR-2004B Dimensions and Connectors.....	16
Jumper Blocks	17
Configuration Switches	18
System Features.....	19
Power Supply	19
Power Connectors.....	19
Power Requirements	20
Power Delivery Considerations	20
CPU.....	20
System RAM.....	21
Resetting BIOS to Factory Defaults	21
Clearing CMOS RAM and RTC Registers.....	21
Real Time Clock (RTC).....	22
Expansion Bus	22

PCI.....	22
PCIe/104 [†] OneBank [†]	22
Interfaces and Connectors	25
User I/O Connector.....	25
Serial Ports.....	26
COM Port Configuration	26
RS-485 Mode Line Driver Control.....	27
Serial Port Connectors	27
I ² C	27
GPIO	27
Battery Connector.....	28
VL-CBR-0203 External Battery Module.....	28
Ethernet Status LEDs.....	30
USB Interfaces.....	30
LEDs	31
Programmable LED	31
SATA/mSATA Activity LED	31
Power LEDs.....	31
Power Button	32
Supported Power States	32
Pushbutton Reset	33
Speaker	33
Video Interfaces.....	34
VGA Connector	34
DisplayPort	35
Console Redirection	35
Ethernet.....	36
Ethernet Connectors	36
Ethernet Status LEDs.....	37
SATA Port	38
PCIe Mini Card / mSATA	39
PCIe Mini Card LEDs	41
Digital I/O.....	41
DIO Guidelines	42
SPX Expansion Bus.....	43
VersaLogic SPX Expansion Modules	44
SPI Registers.....	45
Thermal Considerations	48
Selecting the Correct Thermal Solution for Your Application	48
Heat Plate.....	48
System-level Considerations	49
CPU Thermal Trip Points	50
Thermal Specifications, Restrictions, and Conditions	51
Overall Restrictions and Conditions.....	51
Heat Plate Only Restrictions and Conditions:	51
Heat Sink Only Considerations:	51
Heat Sink with Fan Considerations:	51

EPMe-30 Thermal Characterization	52
Test Results.....	53
Installing the VersaLogic Thermal Solutions	56
Installing the Passive Heat Sink	56
Installing the Heat Sink Fan	57
Installing the Heat Pipe Block	58
Appendix A – References.....	59

Figures

Figure 1. Major Components and Connectors (Top Side).....	2
Figure 2. Major Components and Connectors (Bottom Side)	3
Figure 3. Bengal Board Block Diagram	4
Figure 4. Bengal Dimensions and Mounting Holes	8
Figure 5. VL-CBR-5015 Dimensions and Mounting Holes	9
Figure 6. Connector Locations (Top Side)	10
Figure 7. Connector Locations (Bottom).....	11
Figure 8. VL-CBR-5015 Connectors.....	14
Figure 9. VL-CBR-2004 Dimensions, Connectors, Jumper Blocks, As-Shipped.....	16
Figure 10. As-Shipped Jumper Settings	17
Figure 11. Location of SW1 Configuration Switch Block.....	18
Figure 12. J20 and VL-CBR-1008 Pin Numbering	19
Figure 13. Location and Pin Configuration of J8 Battery Connector	28
Figure 14. VL-CBR-0203 Latching Battery Module.....	28
Figure 15. Location of the D11 and D12 LEDs.....	31
Figure 16. Side View of Board Showing Pin Numbers of the Ethernet Connectors.....	36
Figure 17. Location of Ethernet Status LEDs	37
Figure 18. EPMe-30EAP CPU Core Temperature Relative to Ambient Temperature.....	53
Figure 19. EPMe-30EBP CPU Core Temperature Relative to Ambient Temperature	54
Figure 20. EPMe-30ECP CPU Core Temperature Relative to Ambient Temperature	55
Figure 21. Installing the Passive Heat Sink	57
Figure 22. Installing the Heat Sink Fan	57
Figure 23. Installing the Heat Pipe Block.....	58

Tables

Table 1: Connector Functions and Interface Cables.....	13
Table 2: VL-CBR-5015 Functions	15
Table 3: Connector Functions and Interface Cables.....	16
Table 4: Jumper Summary.....	17
Table 5: Switch Setting Summary	18
Table 6: J20 Main Power Connector Pinout.....	19
Table 7: PCI/104-Express [†] “B” Connector (PCI) Current Ratings.....	22
Table 8: PCIe/104 [†] OneBank [†] Interfaces	22
Table 9: PCIe/104 [†] OneBank [†] Connector Pinout	23
Table 10: PCI/104-Express [†] “A” Connector (PCIe/104 [†]) Current Ratings	24
Table 11: J18 User I/O Connector Pinout	25

Table 12: User I/O Connector Signal Routing to VL-CBR-5015 Paddleboard.....	26
Table 13: COM1-2 Pinout – VL-CBR-5015 Connector J3	27
Table 14: USB 3.0 J16 Connector Pinout	30
Table 15: Supported Power States.....	32
Table 16: VGA Video Output Pinout.....	34
Table 17: mini DisplayPort Connector Pinout.....	35
Table 18: Ethernet Connector Pinout (J1, J7)	36
Table 19: Ethernet Status LEDs	37
Table 20: SATA Port Pinout	38
Table 21: PCIe Mini Card / mSATA Pinout	39
Table 22: PCIe Mini Card LED States	41
Table 23: J21 I/O Connector Pinout.....	42
Table 24: SPX Expansion Bus Pinout	43
Table 25: SPI Control Register 1 Bit Assignments	45
Table 26: SPI Control Register 2 Bit Assignments	46
Table 27: CPU Thermal Trip Points.....	50
Table 28: Temperature Monitoring Programs	50
Table 29: Absolute Minimum and Maximum Air Temperatures.....	51
Table 30: EPMe-30 Thermal Testing Setup	52

Description

Features and Construction

The Bengal is a feature-packed single board computer (SBC) designed to support OEM applications where high reliability and long-term availability are required. Its features include:

- Intel[†] Atom[†] “Bay Trail” processor, quad, dual, or single core with processor clock rates up to 1.91 GHz (Atom E3845)
- Integrated IntelGen7 graphics core, supports DirectX11, Open GL3, and H.264, MPEG-2 encoding/decoding
- Analog and dual Mini DisplayPort video outputs
- Up to 8 GB DDR3L memory, one SO-DIMM socket
- Two Intel I210-IT-based Ethernet ports, auto-detect 10Base-T / 100Base-TX / 1000Base-T
- One USB 3.0 port and five USB 2.0 ports
- Trusted Platform Module
- Two RS-232/422/485 serial ports
- Three 8254 timer/counters
- Sixteen digital I/O lines
- SATA port, 3 Gb/s
- Mini PCIe / mSATA socket, supports Wi-Fi modems, GPS receivers, flash storage, and other modules
- SPX expansion
- PC/104 form factor with PCIe/104[†] OneBank[†] expansion
- Customization available

The Bengal is compatible with popular operating systems such as Microsoft[†] Windows[†], Windows Embedded, Linux, VxWorks[†], and QNX[†].

VL-EPMe-30 boards are subjected to complete functional testing and are backed by a limited five-year warranty. Careful parts sourcing and US-based technical support ensure the highest possible quality, reliability, service, and product longevity for this exceptional single-board computer (SBC).

Figure 1 and Figure 2 show the locations of the Bengal board’s connectors and major components on the top side and bottom side of the board, respectively.

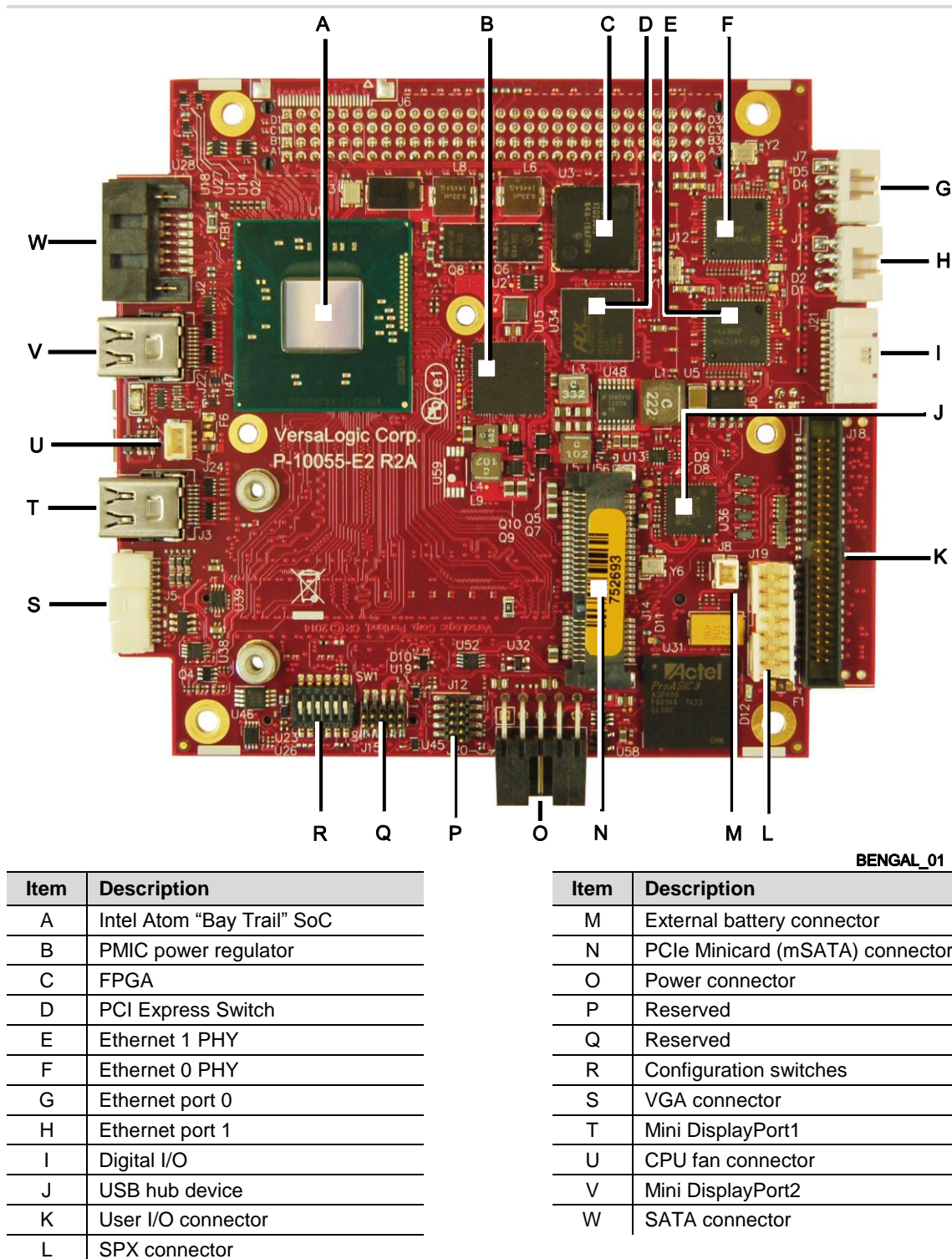
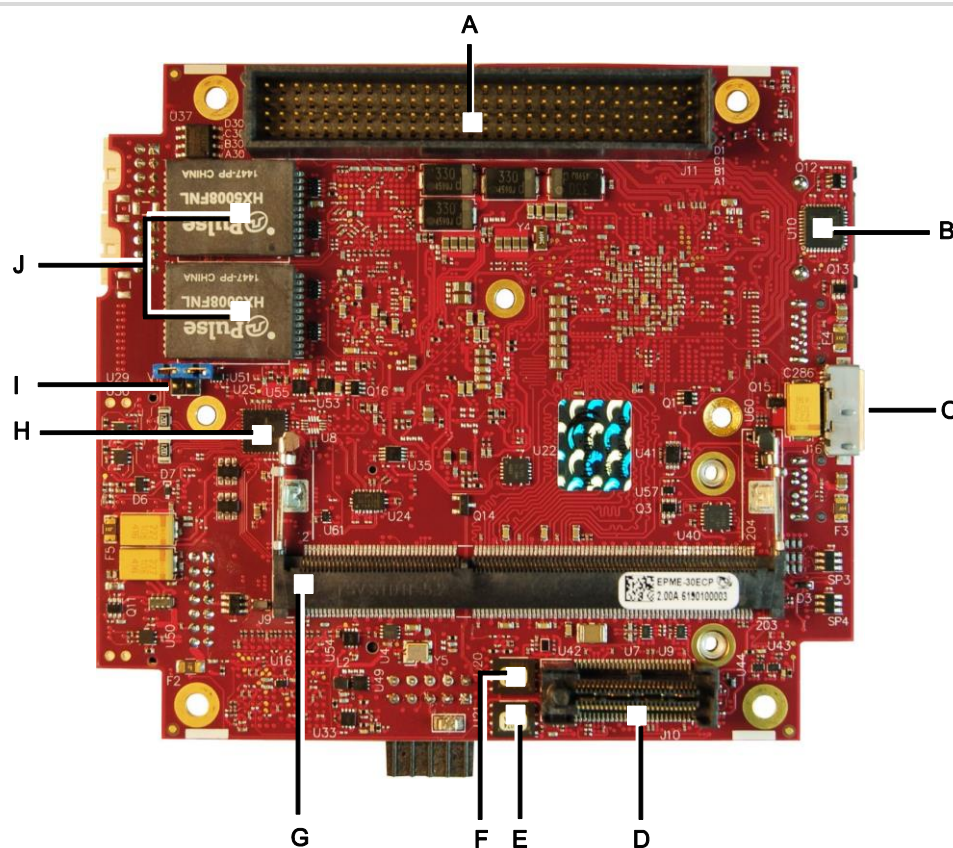


Figure 1. Major Components and Connectors (Top Side)



Item	Description	Item	Description
A	PCI connector	F	SPI Flash device (backup)
B	Trusted Platform Module (TPM)	G	DDR3 SO-DIMM socket
C	USB 3.0 connector	H	COM port transceiver
D	PCIe/104 OneBank connector	I	COM port jumper block
E	SPI Flash device (primary)	J	Ethernet transformers

Figure 2. Major Components and Connectors (Bottom Side)

Technical Specifications

See the [Bengal Data Sheet](#) for complete specifications.

Thermal Considerations

The operating temperature for the Bengal is -40 °C to +85 °C, de-rated -1.1 °C per 305m (1,000 ft.) above 2,300m (7,500 ft.). All Bengal models include a rigid-mount heat plate thermal solution. Refer to Chapter 6 for information on additional thermal solutions.

Block Diagram

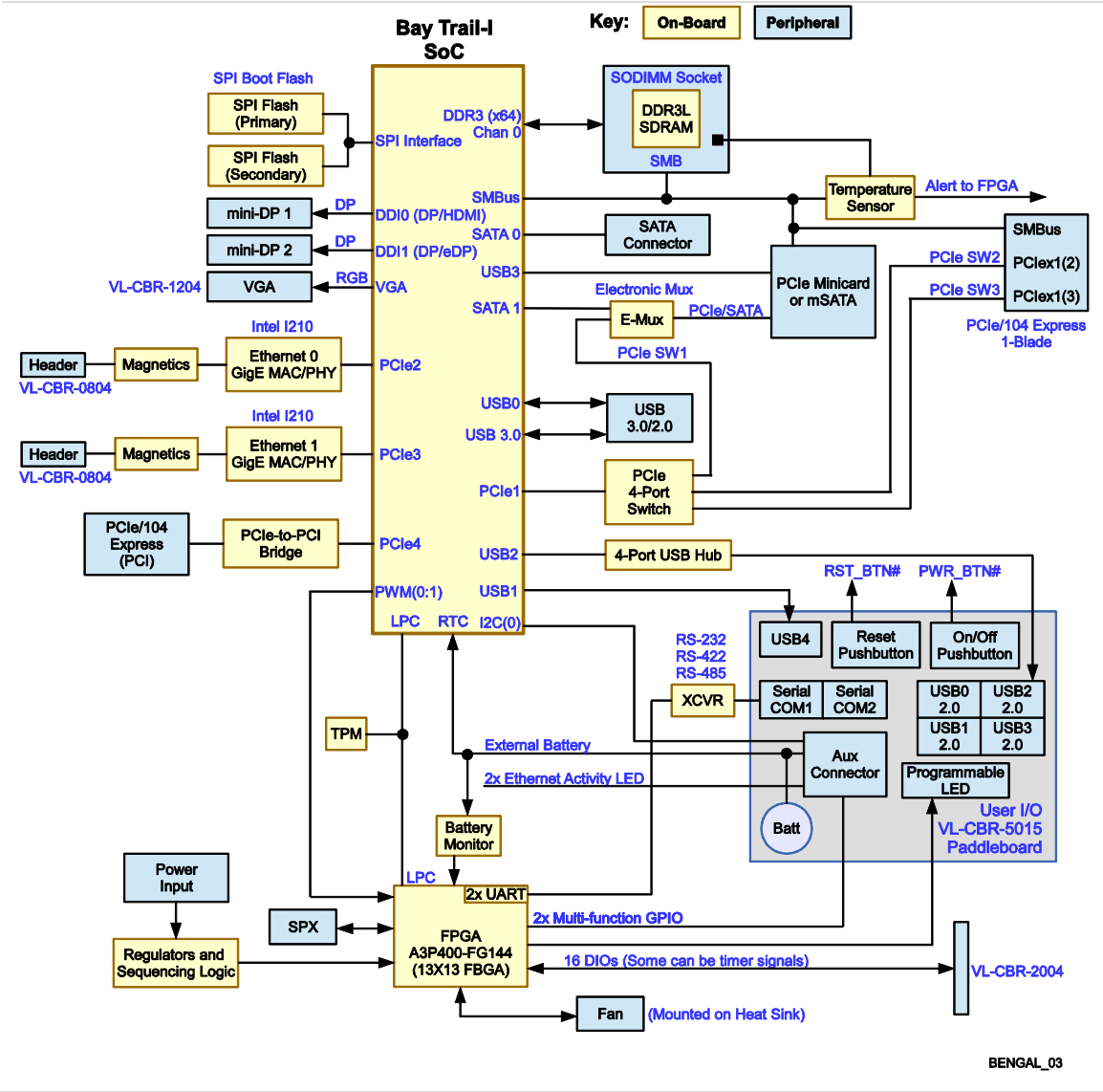


Figure 3. Bengal Board Block Diagram

Cautions

Electrostatic Discharge

**CAUTION:**

Electrostatic discharge (ESD) can damage circuit boards, disk drives, and other components. The circuit board must only be handled at an ESD workstation. If an approved station is not available, some measure of protection can be provided by wearing a grounded antistatic wrist strap. Keep all plastic away from the board, and do not slide the board over any surface.

After removing the board from its protective wrapper, place the board on a grounded, static-free surface, component side up. Use an antistatic foam pad if available.

The board should also be protected inside a closed metallic antistatic envelope during shipment or storage.

**Note:**

The exterior coating on some metallic antistatic bags is sufficiently conductive to cause excessive battery drain if the bag comes in contact with the bottom side of the Bengal.

Handling Care

**CAUTION:**

Avoid touching the exposed circuitry with your fingers when handling the board. Though it will not damage the circuitry, it is possible that small amounts of oil or perspiration on the skin could have enough conductivity to cause the contents of CMOS RAM to become corrupted through careless handling, resulting in CMOS resetting to factory defaults.

Earth Ground Requirement

**CAUTION:**

All mounting standoffs (four on PC/104 boards, eight on EBX and EPIC boards) should be connected to earth ground (chassis ground). This provides proper grounding for EMI purposes.

Battery Usage

**CAUTION:**

If you are using a CBR-5015 paddleboard with the Bengal board, do not connect an external battery using the J8 connector. Connecting two batteries to the Bengal board will damage the batteries and may possibly damage the Bengal board and the CBR-5015 paddleboard as well.

Initial Configuration

The following components are recommended for a typical development system:

- Bengal (VL-EPMe-30) computer
- VL-ATX power supply
- VL-MM9-xxEBN DDR3 SO-DIMM module (see [System RAM](#))
- VGA display (or display with DisplayPort input)
- Standard I/O paddleboard (VL-CBR-5015)
- USB keyboard and mouse
- USB CD-ROM drive (optional)
- USB SSD or floppy disk drive (optional)
- VL-HD35-xxx SATA hard drive (optional)

The following VersaLogic cables are recommended:

- VL-CBR-1204 VGA adapter cable (or VL-EPH-V6 Mini DisplayPort converter)
- VL-CBR-0702 or VL-CBR-0701 – SATA data cable
- VL-CBR-0401 – ATX to SATA power adapter
- VL-CBR-0804 – Ethernet RJ-45 adapter cable
- VL-CBR-1008 – Main power cable

You will also need an operating system (OS) installation CD-ROM.

Basic Setup

The following steps outline the procedure for setting up a typical development system. The Bengal should be handled at an ESD workstation or while wearing a grounded antistatic wrist strap.

Before you begin, unpack the Bengal and accessories. Verify that you received all the items you ordered. Inspect the system visually for any damage that may have occurred in shipping. Contact Support@VersaLogic.com immediately if any items are damaged or missing.

Gather all the peripheral devices you plan to attach to the Bengal and their interface and power cables.

It is recommended that you attach standoffs to the board (see [Hardware Assembly](#)) to stabilize the board and make it easier to work with.

1. Install Memory

- Insert the DDR3L DRAM module into the SO-DIMM socket J9 on the bottom side of the board and latch it into place.

2. Attach Cables and Peripherals

- Plug the VGA cable VL-CBR-1204 into socket J5. Attach the cable to the VGA display. (Alternatively, you can attach a DisplayPort enabled display to one of the Mini DisplayPort connectors at J3 or J22. The VL-EPH-V6 video adapter card converts DisplayPort output to LVDS.)
- Plug the VL-CBR-5015 paddleboard into socket J18.

- Plug a USB CD-ROM drive, USB keyboard, and USB mouse into any of the USB connectors at J4 and J5 of the paddleboard.
- Plug the SATA data cable VL-CBR-0702 into socket J2. Attach a hard drive to the connector on the cable.
- Attach the SATA power adapter cable VL-CBR-0401 to the ATX power supply and SATA drive.
- Optionally, attach a LAN cable to either of the Ethernet connectors at J1 or J7 on the Bengal using the VL-CBR-0804 RJ-45 adapter.

3. Attach Power

- Plug the power adapter cable VL-CBR-1008 into socket J20. Attach the motherboard connector of the ATX power supply to the adapter.

4. Review Configuration

- Before you power up the system, double-check all the connections. Make sure all cables are oriented correctly and that adequate power will be supplied to the VL-EPMe-30 and peripheral devices.

5. Power On

- Turn on the ATX power supply and the video monitor. If the system is correctly configured, a video signal should be present.

6. Select a Boot Drive

- During startup, press <CTRL> to display the boot menu. Insert the OS installation CD in the CD-ROM drive and select to boot from the CD-ROM drive.

7. Install Operating System

- Install the operating system according to the instructions provided by the operating system manufacturer. (See Operating System Installation.)

BIOS Setup Utility

Refer to the *BIOS Reference Manual* (available on the [Bengal Product Support Page](#)) for information on accessing and configuring settings in the BIOS Setup utility. All BIOS menus, submenus, and configuration options are described in the *BIOS Reference Manual*.

Operating System Installation

The standard PC architecture used on the VL-EPMe-30 makes the installation and use of most of the standard x86-based operating systems very simple. The operating systems listed on the [VersaLogic OS Compatibility Chart](#) use the standard installation procedures provided by the maker of the OS. Special optimized hardware drivers for a particular OS, or a link to the drivers, are available at the [Bengal Product Support Page](#).



Integrator's Note:

Booting to Windows requires changing the default boot OS in the BIOS Setup utility.

Dimensions and Mounting

Bengal Dimensions

The Bengal complies with PC/104-Plus dimensional standards. Figure 4 shows the board's dimensions to help with pre-production planning and layout.

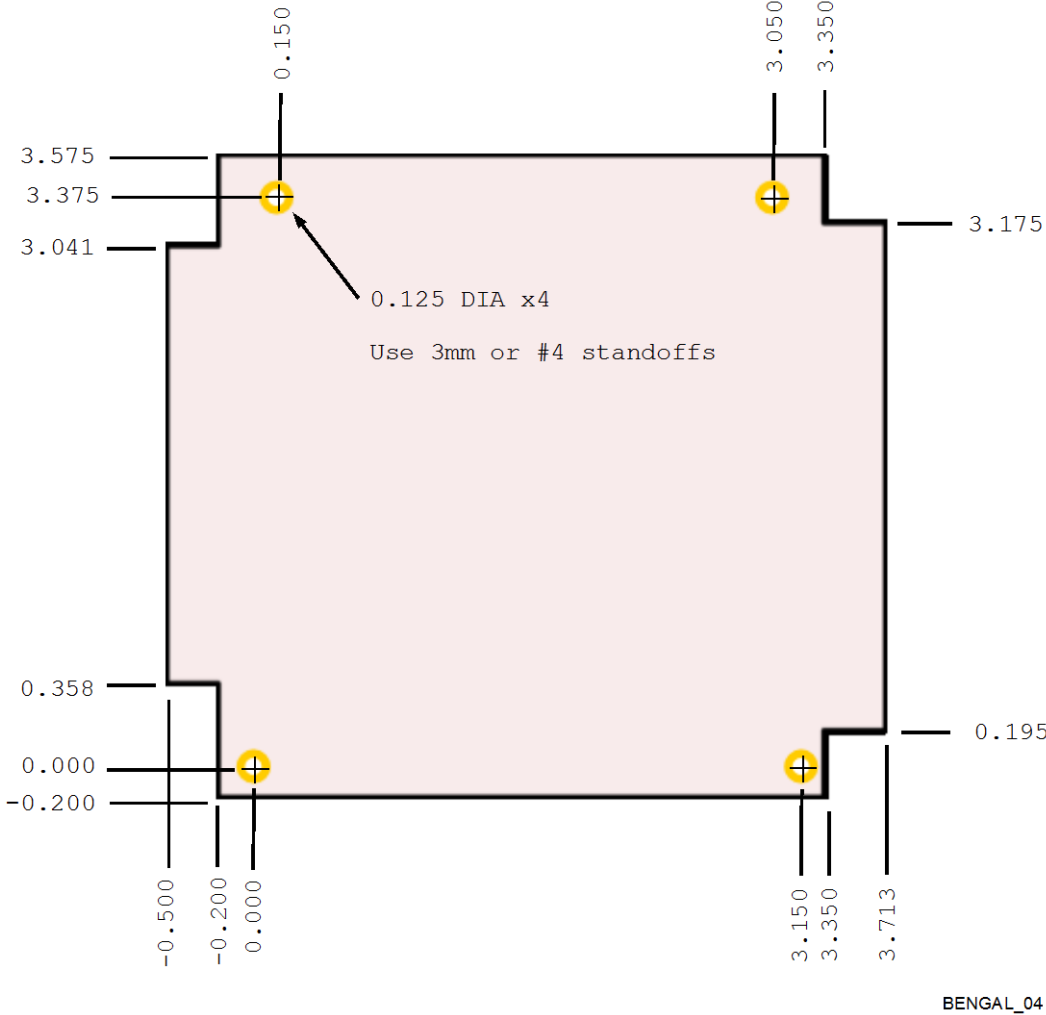


Figure 4. Bengal Dimensions and Mounting Holes
(Not to scale. All dimensions in inches.)

VL-CBR-5015 Dimensions

Figure 5 shows the dimensions and mounting holes for the VL-CBR-5015.

- All dimensions are in inches
- Illustration is not to scale

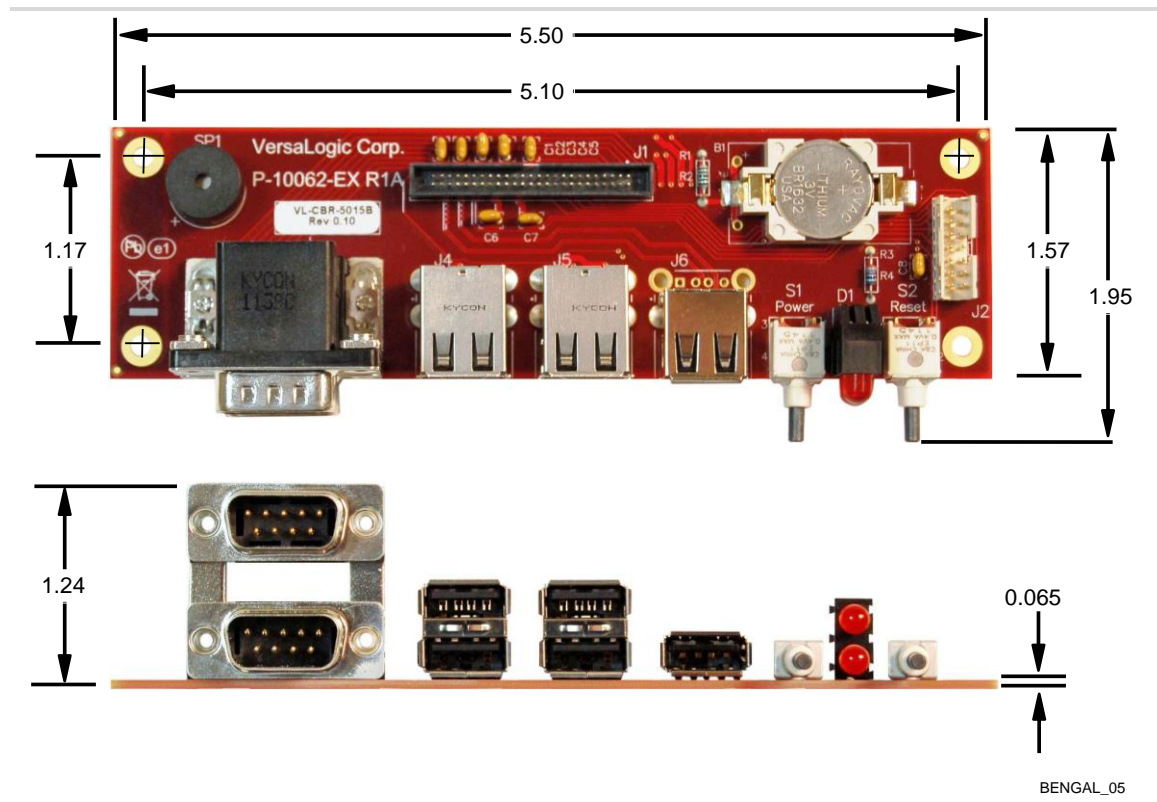


Figure 5. VL-CBR-5015 Dimensions and Mounting Holes

Hardware Assembly

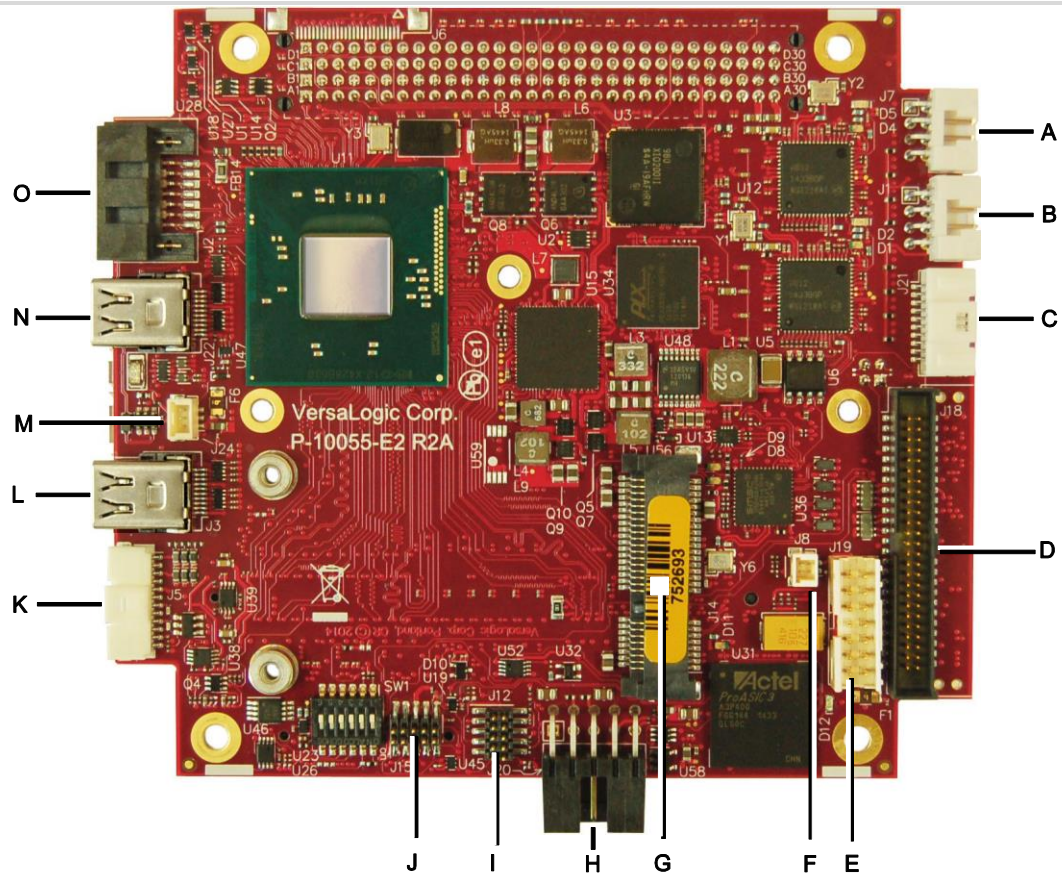
The Bengal provides both PCI and PCIe/104 OneBank connectors for adding expansion modules to the bottom of the stack.

The entire assembly can sit on a tabletop or it can be secured to a base plate. When bolting the unit down, make sure to secure all four standoffs to the mounting surface to prevent circuit board flexing. Standoffs are secured to the top circuit board using four pan head screws. Standoffs and screws are available as part number VL-HDW-105.

An extractor tool is available (part number VL-HDW-203) to separate the expansion modules from the stack. Use caution when using the extractor tool not to damage any board components.

External Connectors

Bengal Connector Locations – Top Side



BENGAL_06

Item	Ref Des.	Description
A	J7	Ethernet Port 0
B	J1	Ethernet Port 1
C	J21	Digital I/O
D	J18	User I/O
E	J19	SPX Connector
F	J8	External Battery Connector
G	J14	PCIe Minicard (mSATA)
H	J20	Power Connector

Item	Ref Des.	Description
I	J12	Reserved
J	J15	Reserved
K	J5	VGA Connector
L	J3	Mini DisplayPort1
M	J24	CPU Fan
N	J22	Mini DisplayPort2
O	J2	SATA Connector

Figure 6. Connector Locations (Top Side)

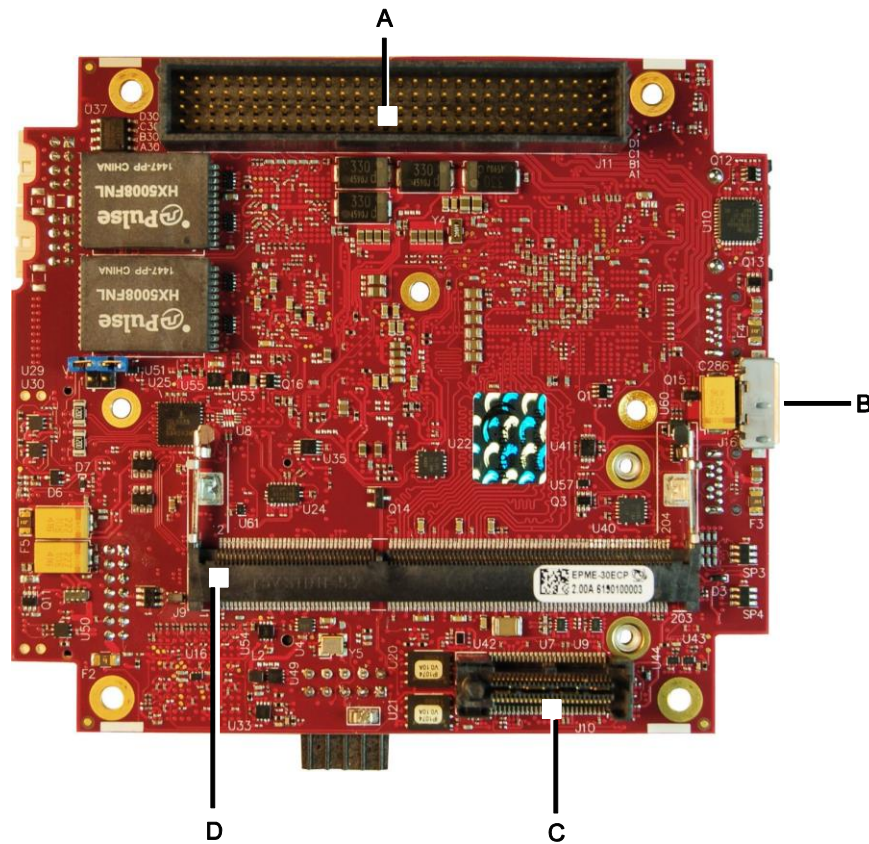


Integrator's Notes:

The User I/O connector (J18) includes signals for COM ports, USB, LEDs, power and reset buttons, audio, and speaker.

The DisplayPort audio channel works only on the Mini DisplayPort1 connector (J3).

Bengal Connector Locations – Bottom Side



BENGAL_07

Item	Ref Des.	Description
A	J11	PCI
B	J16	USB 3.0
C	J10	PCIe/104 OneBank
D	J9	DDR3 SO-DIMM

Figure 7. Connector Locations (Bottom)

Bengal Connector Functions and Interface Cables

Table 1 provides information about the function, mating connectors, and transition cables for Bengal connectors. Page numbers indicate where additional information is available.

Table 1: Connector Functions and Interface Cables

Connector (Note)	Function	Mating Connector	Transition Cable	Cable Description	Page
J1	Gigabit Ethernet 1	FCI 10073599-008LF housing, FCI 10044403-101LF crimp	VL-CBR-0804	12-inch 8-pin to RJ-45 Ethernet cable	36
J2	SATA	Standard SATA	VL-CBR-0702; VL-CBR-0401	20-inch SATA data, latching; ATX to SATA power adapter	38
J3	Mini DisplayPort 1	—	—	—	35
J5	VGA	Molex 501330-0500 pin/crimp	VL-CBR-1204	12-inch 12-pin to 15-pin VGA adapter board and cable	34
J6	Factory Use Only	—	—	—	—
J7	Gigabit Ethernet 0	FCI 10073599-008LF housing, FCI 10044403-101LF crimp	VL-CBR-0804	12-inch 8-pin to RJ-45 Ethernet cable	36
J8	Battery connector	Molex 501330-0200 mating connector housing Molex 501334-0100 mating connector crimp pin for 28-32 gauge wire	—	—	27
J9	DDR3 SO-DIMM	—	—	—	21
J10	PCIe/104 OneBank Stack Down	—	—	—	22
J11	PCI Stack Down	AMP 1375799-1	—	—	22
J12	Factory use only	—	—	—	—
J14	PCIe Minicard / mSATA	—	—	—	39
J15	Factory use only	—	—	—	—
J16	Micro USB 3.0	USB 3.0 Micro-A	VL-CBR-1015	0.5 m USB 3.0 Micro-A to Micro-B cable	30
J18	COM ports, USB, PLED, power LED, push-button reset, power button, audio jacks, PC speaker, battery input	Oupiiin 1204-50G00B2A	VL-CBR-5013A	12-inch 1.27 mm IDC 50-pin to 50-pin on VL-CBR-5015 paddleboard	25
J19	SPX	FCI 89361-714LF	VL-CBR-1401 or VL-CBR-1402	2 mm 14-pin IDC, 2 or 4 SPX device cable	43
J20	Main power input	Berg 69176-010 (housing) + Berg 47715-000 (pins)	VL-CBR-1008	Interface from standard ATX power supply	19
J21	Digital I/O	Molex 501193-2000 pin/crimp	VL-CBR-2005	12-inch 1 mm 20-pin DIO cable and paddleboard	41
J22	Mini DisplayPort 2	—	VL-CBR-2031 VL-CBR-2033	36" miniDisplayPort to MiniDisplayPort miniDisplayPort to HDMI Active Adapter, 6"	35
J24	CPU fan	Provided with HDW-407 fan assembly (if used)	—	Fan power cable with 3-pin connector	—

Note: Connector locations J4, J13, J17, and J23 are not used.

VL-CBR-5015 Connector Locations

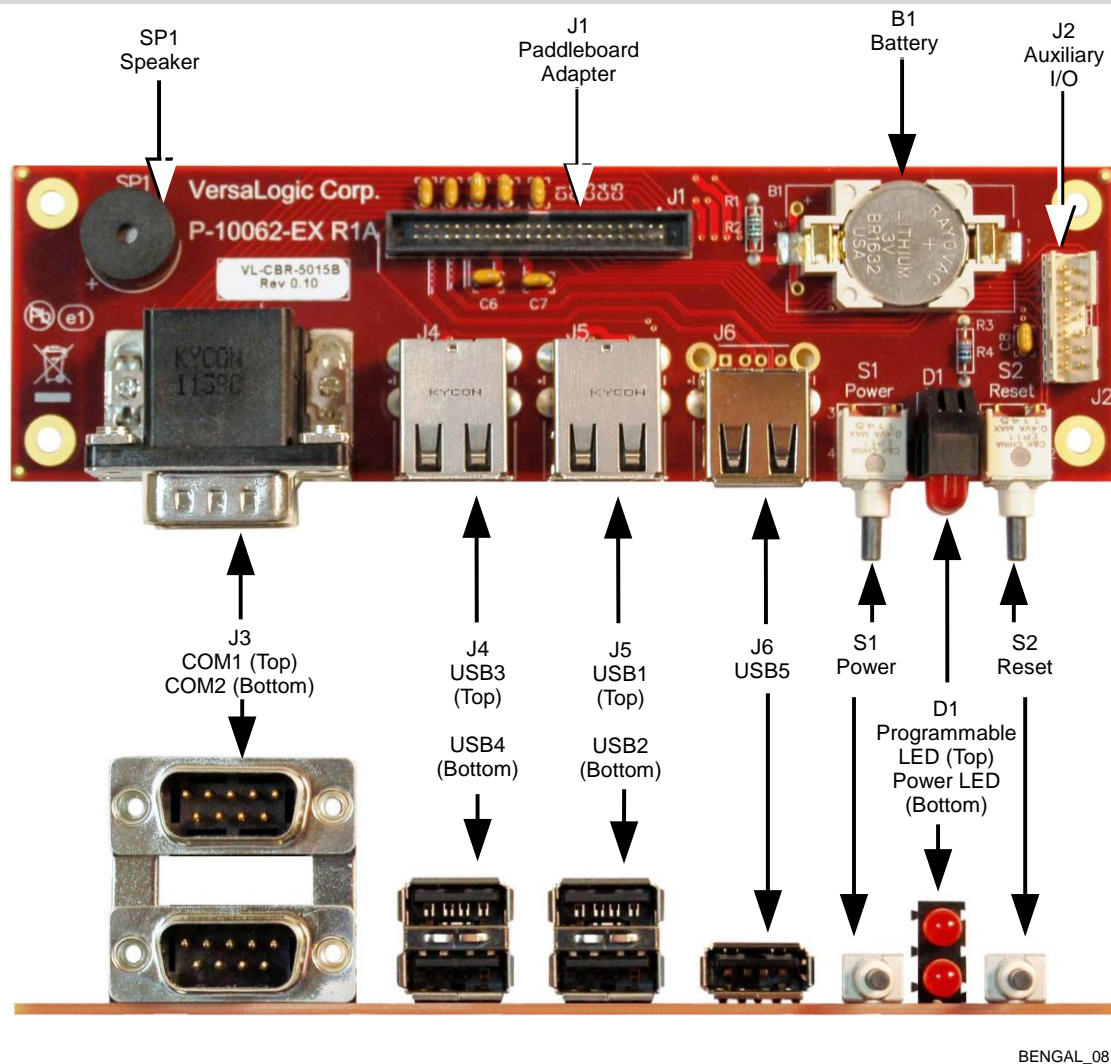


Figure 8. VL-CBR-5015 Connectors

**Integrator's Note:**

USB ports 1-4 on the VL-CBR-5015 paddleboard (connectors J4 and J5) are all hubbed, so throughput may not be optimal. For higher throughput, use the USB 3.0 port or the 5th USB port on the VL-CBR-5015 paddleboard (at connector J6, intended primarily for a USB Audio device) which is directly connected to the Bay Trail SoC.

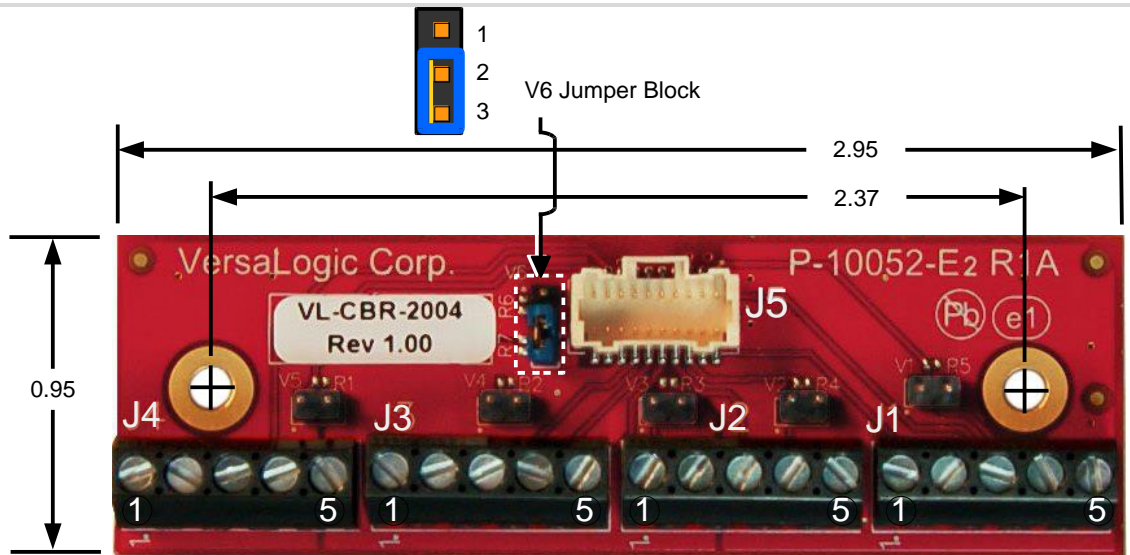
VL-CBR-5015 Connector Functions

Table 2: VL-CBR-5015 Functions

Reference	Function	PCB Connector	Description
B1	Provides power to CMOS RAM and RTC registers when main power is off.	—	Back-up battery
J1	Paddleboard adapter	<ul style="list-style-type: none"> • FCI 20021511-00050T1LF • Oupiin 3216-A50G00SBA • Samtec SHF-125-01-F-D-TH 	1.27 mm, 50-pin keyed header
J2	Auxiliary I/O (I ² C, GPIO, Ethernet LED, LED power)	FCI 98414-F06-14ULF	2 mm, 14-pin keyed header
J3	COM1 (top), COM2 (bottom)	Kycon K42-E9P/P-A4N	Dual DB-9 male
J4	USB3 (top), USB4 (bottom)	USB Type A	USB Host
J5	USB1 (top), USB2 (bottom)	USB Type A	USB Host
J6	USB5	USB Type A	USB Host
D1	Programmable LED (top) Power LED (bottom)	LED	—
S1	Power button	Pushbutton	—
S2	Reset button	Pushbutton	—
SP1	Speaker	Piezo speaker	—

VL-CBR-2004B Dimensions and Connectors

The VL-CBR-2005 digital I/O adapter is comprised of the VL-CBR-2005A cable and the VL-CBR-2004 I/O paddleboard. The paddleboard provides a screw terminal interface for all digital I/O lines. Figure 9 shows the VL-CBR-2004 board's dimensions, connectors, and jumper blocks. All dimensions are in inches.



BENGAL_09

Figure 9. VL-CBR-2004 Dimensions, Connectors, Jumper Blocks, As-Shipped



Integrator's Note:

The jumper blocks should remain in the as-shipped configuration shown in Figure 9.

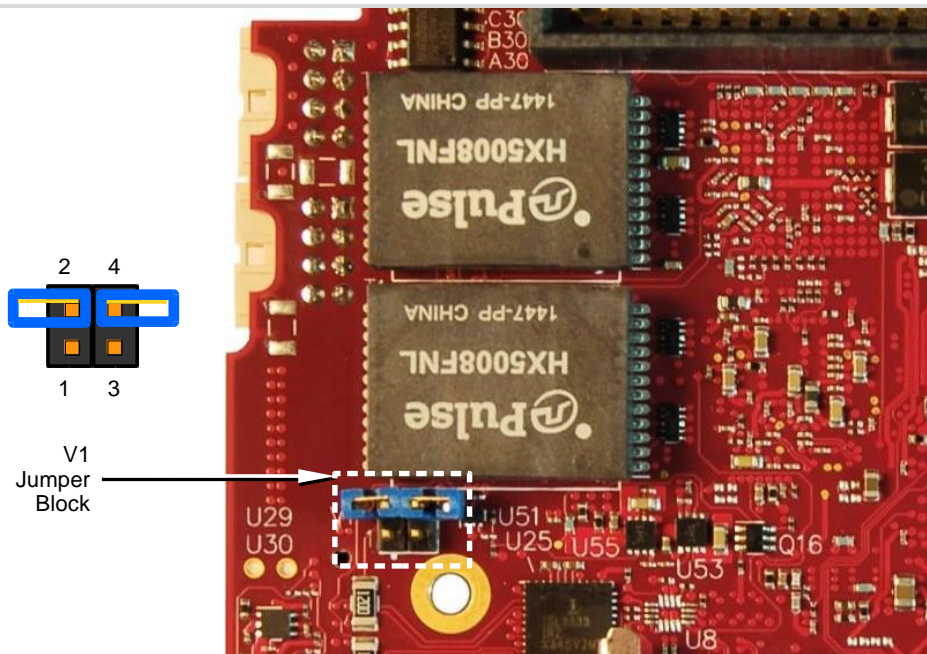
Table 3 provides information about the function, mating connectors, and the transition cable to the Bengal.

Table 3: Connector Functions and Interface Cables

Connector	Function	Mating Connector	Transition Cable	Cable Description
J1	Digital I/O 1-4	Bare wire, 18–30 AWG	—	—
J2	Digital I/O 5-8	Bare wire, 18–30 AWG	—	—
J3	Digital I/O 9-12	Bare wire, 18–30 AWG	—	—
J4	Digital I/O 13-16	Bare wire, 18–30 AWG	—	—
J5	Interface to Bengal board	Molex 501189-2010 2x10 1 mm “pico-clasp” receptacle	VL-CBR-2005A	20 position screw terminal, 12-inch latching cable to VL-CBR-2004B I/O board

Jumper Blocks

Jumper block V1 is located on the bottom side of the board. The board ships with two jumpers installed, but only one side of each jumper is placed on a pin of the V1 jumper block. In this configuration, the jumpers do not connect any signals. They are placed this way in case you need to configure the COM ports for RS-485 termination.



BENGAL_10

Figure 10. As-Shipped Jumper Settings

Table 4: Jumper Summary

Jumper Block	Description
V1[1-2]	<p>COM1 Rx End-point Termination (see page 26)</p> <p>In – RS-485 termination Out – No termination, RS-232 (default)</p> <p>Places terminating resistor across COM1 RS-485 TXRX+/TXRX- or RS-422 RX+/RX- differential pair. Jumper must be out for RS-232 operation.</p>
V1[3-4]	<p>COM2 Rx End-point Termination (see page 26)</p> <p>In – RS-485 termination Out – No termination, RS-232 (default)</p> <p>Places terminating resistor across COM2 RS-485 TXRX+/TXRX- or RS-422 RX+/RX- differential pair. Jumper must be out for RS-232 operation.</p>

Integrator's Note:

No jumper is required for RS-422. You may use a terminator at the receiver, but it is not required. A jumper should be used for RS-485 only when the port is used as an endpoint.

Configuration Switches

Figure 11 shows the as-shipped switch configuration with all switches in the Off position. The Off position is toward the center of the board.

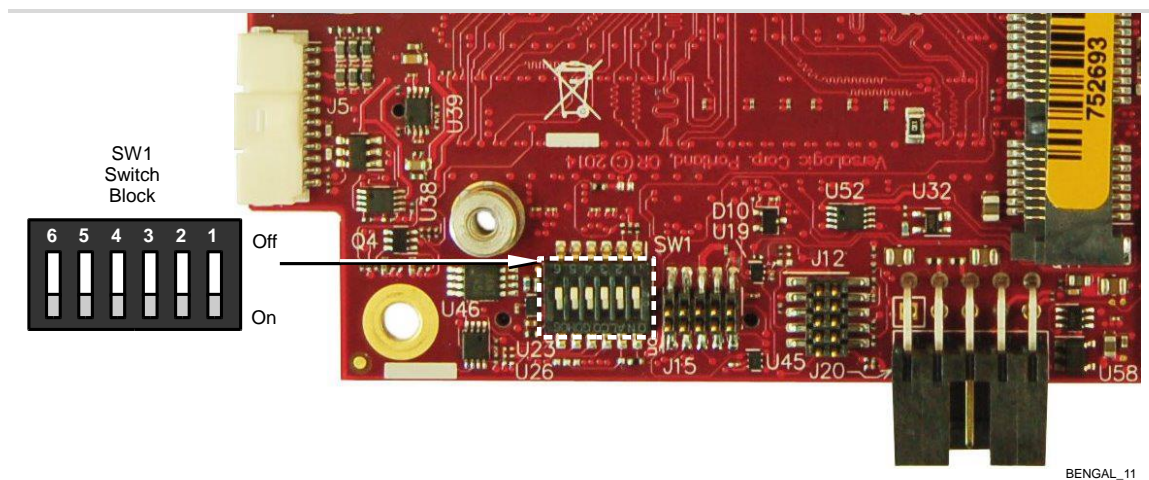


Figure 11. Location of SW1 Configuration Switch Block

Table 5: Switch Setting Summary

SW1 Switch Position	Description
Position 1	Clear CMOS RAM and Clears Real-Time Clock (see page 21) Off – Normal operation (default) On – Clears battery backed up CMOS memory bytes 0xE-0x7F and clears battery backed up RTC registers
Position 2	No Battery Switch (see Integrator's Note below) Off – A battery is being used (default) On – A battery is not being used
Position 3	Reset BIOS to factory defaults (see page 21) Off – Normal operation (default) On – Resets BIOS to factory defaults when the board boots.
Position 4	For factory use only. Always leave in the Off position.
Position 5	SPI Flash Security – Not supported.
Position 6	BIOS select Off – Primary BIOS (default) On – Backup BIOS



Integrator's Note:

- **If a battery is installed** (on the CBR-5015 paddleboard or externally using the J8 connector), switch position 2 must be set to the Off position. If it is set to On, the battery will discharge quickly.
- **If you do not use a battery**, switch position 2 should be set to the ON position. Otherwise, boot times could increase (by as much as 30 seconds in low temperature environments).

Power Supply

Power Connectors

Main power is applied to the Bengal through a 10-pin polarized connector (J20), with mating connector Berg 69176-010 (housing) + Berg 47715-000 (pins). See Table 6 for connector pinout and page 10 for location information.



CAUTION:

To prevent severe and possibly irreparable damage to the system, it is critical that the power connectors are wired correctly. Make sure to use all +5 V_{DC} pins and all ground pins to prevent excess voltage drop. The power connector is not fuse or diode protected. Proper polarity must be followed, otherwise damage will occur. Some manufacturers include a pin-1 indicator on the crimp housing that corresponds to pin-10 of the pinout shown in Figure 12.

Table 6: J20 Main Power Connector Pinout

Pin	Signal	Pin	Signal
1	Ground	2	+5 V _{DC}
3	Ground	4	+12 V _{DC} (Note)
5	Ground	6	-12 V _{DC} (Note)
7	+3.3 V _{DC} (Note)	8	+5 V _{DC}
9	Ground	10	+5 V _{DC}

Note: This input is only necessary for expansion modules plugged into either the PC104 PCI connector (J11) or the PCIe/104 OneBank connector (J10) that require this voltage.

Figure 12 shows the VersaLogic standard pin numbering for this type of 10-pin power connector and the corresponding mating connector.

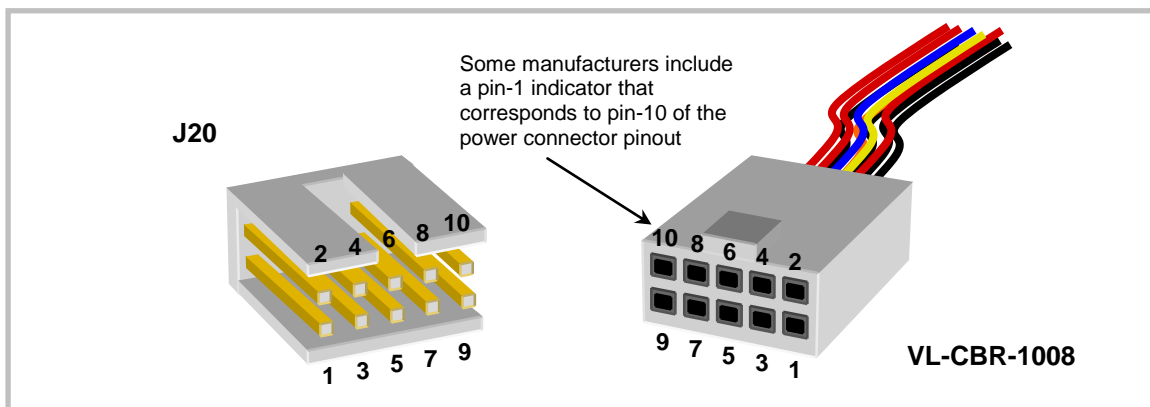


Figure 12. J20 and VL-CBR-1008 Pin Numbering

Power Requirements

The Bengal requires only +5 VDC ($\pm 5\%$) for proper operation, as required by the PC/104-*Plus* specification. Variable low-voltage supply circuits provide power to the CPU and other on-board devices.

The exact power requirement of the VL-EPMe-30 depends on several factors, including memory configuration, CPU clock rate, peripheral connections, and the type and number of expansion modules and attached devices. For example, driving long RS-232 lines at high speed can increase power demand.

Power Delivery Considerations

Using the VersaLogic approved power supply (VL-PS200-ATX) and power cable (VL-CBR-1008) ensures high quality power delivery to the board. Customers who design their own power delivery methods should take into consideration the guidelines below to ensure good power connections.

In addition, the specifications for typical operating current do not include any off-board power usage that may be fed through the Bengal power connector. Expansion boards and USB devices plugged into the board will source additional power through the Bengal power connector.

- Do not use wire smaller than 22 AWG. Use high quality UL 1007 compliant stranded wire.
- The length of the wire should not exceed 18 inches.
- Avoid using any additional connectors in the power delivery system.
- The power and ground leads should be twisted together, or as close together as possible to reduce lead inductance.
- A separate conductor must be used for each of the power pins.
- All power input pins and all ground pins must be independently connected between the power source and the power connector.
- Use a high quality power supply that can supply a stable voltage while reacting to widely varying current draws.

CPU

The Bengal uses one of three Intel 4th Generation Atom (formerly “Bay Trail”) system-on-chip (SoC) processors:

- E3845 (quad core)
- E3826 (dual core)
- E3815 (single core)

Each core contains a 512 KB L2 cache. These processors support Intel 64-bit instructions, AES Instructions, Execute Disable Bit, and Virtualization Technology.

See the [Intel Atom Processor E3800 Product Family Datasheet](#)  for a complete description of the CPU.



Note:

If the above link to the datasheet becomes inactive, search the internet for “Intel Bay Trail” or “E3800” and follow the results to the Intel site and datasheet.

System RAM

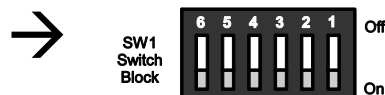
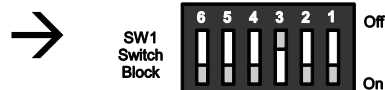
The Bengal accepts one 204-pin SO-DIMM memory module (J9 connector) with the following characteristics:

- Size Up to 8 GB, 1066 MHz or 1333 MHz, CPU dependent
- Voltage 1.35 V
- Type DDR3L (VersaLogic VL-MM9 Series modules)

Resetting BIOS to Factory Defaults

Reset the BIOS to default settings using the following the instructions:

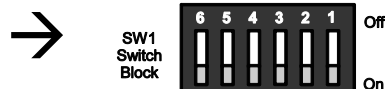
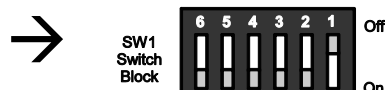
1. Power off the Bengal and set SW1 switch position 3 to the On position (toward the outer edge of the board).
2. Power on the Bengal.
3. After the system boots, power off the Bengal and set the switch back to the Off position (toward the center of the board).
4. Power on the Bengal.



Clearing CMOS RAM and RTC Registers

Clear the CMOS RAM and RTC registers (which includes the date/time) using the following the instructions:

1. Power off the Bengal.
2. Set SW1 switch position 1 to the On position (toward the outer edge of the board).
3. Wait at least two seconds and set the switch back to the Off position (toward the center of the board).
4. Power on the Bengal.



Real Time Clock (RTC)

The Bengal features a real-time clock/calendar (RTC) circuit. The RTC can be set using the BIOS Setup utility.

The Bengal supplies RTC voltage in S5, S3, and S0 states, but requires an external +2.75 V to +3.3 V battery connection to maintain RTC functionality and RTC CMOS RAM when the Bengal is not powered. The battery connection can be made to either (but not both) of the following:

- J8 battery connector
- Pin 17 of the J18 connector



Integrator's Note:

There is no on-board battery. The Bengal board will operate without a battery, but to save the date and time, use a VL-CBR-5015 paddleboard (which includes a battery).

Expansion Bus

PCI

The Bengal provides a legacy stack-down PCI connector at location J11 on the bottom side of the board. See the PCI sections of the [PC/104-Plus Specification](#) for a complete description of this interface. The BIOS automatically allocates I/O, memory, and interrupt resources.

Table 7: PCI/104-Express[†] “B” Connector (PCI) Current Ratings

Signal	Current Rating
V5	4.0 A
V3P3_ATX	3.0 A
V12_ATX	1.0 A
V12N_ATX	0.5 A

PCIe/104[†] OneBank[†]

The Bengal provides a high-speed stack-down PCIe/104 OneBank connector at location J10 on the bottom side of the board. See the [PCI/104-Express[†] & PCIe/104[†] Specification](#) for a complete description of this interface. Table 8 lists the interfaces provided by the OneBank connector.

Table 8: PCIe/104[†] OneBank[†] Interfaces

Feature	OneBank
USB 2.0	None supported
SMB	1
PCIe x1	2
Power	+3.3 V, +5 V
ATX Control	No

Table 9: PCIe/104[†] OneBank[†] Connector Pinout

Pin	Signal	Pin	Signal
1	Not Used	2	PE_RST#
3	3.3V	4	3.3V
5	Not Used	6	Not Used
7	Not Used	8	Not Used
9	GND	10	GND
11	Not Used	12	Not Used
13	Not Used	14	Not Used
15	GND	16	GND
17	PEx1_2TP	18	PEx1_3TP
19	PEx1_2TN	20	PEx1_3TN
21	GND	22	GND
23	Not Used	24	Not Used
25	Not Used	26	Not Used
27	GND	28	GND
29	PEx1_2RP	30	PEx1_3RP
31	PEx1_2RN	32	PEx1_3RN
33	GND	34	GND
35	Not Used	36	Not Used
37	Not Used	38	Not Used
39	5V_ALWAYS	40	5V_ALWAYS
41	PEx1_2CLKP	42	PEx1_3CLKP
43	PEx1_2CLKN	44	PEx1_3CLKN
45	CPU_DIR	46	PWRGOOD
47	SMB_DAT	48	Not Used
49	SMB_CLK	50	Not Used
51	SMB_ALERT	52	Not Used

**Integrator's Note:**

The PCIe/104 OneBank version of the interface does not implement the Bank 2 or Bank 3 connectors.

**CAUTION:**

No attempt should be made to add SUMIT-based products to the OneBank connector. The SUMIT interface is not mechanically or electrically compatible with the OneBank interface. Attempting to use SUMIT expansion modules will damage the OneBank connector and void the warranty.

Table 10: PCI/104-Express[†] “A” Connector (PCIe/104[†]) Current Ratings

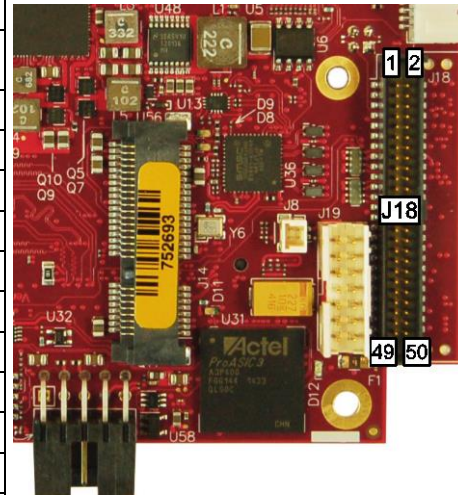
Signal	Current Rating
V5	4.0 A
V3P3_ATX	3.0 A

User I/O Connector

Table 11 lists the pinout of the 50-pin User I/O connector (J18).

Table 11: J18 User I/O Connector Pinout

Pin	Signal	Pin	Signal
1	Ground	2	<ul style="list-style-type: none"> RXD1 (RS-232) RXD1- (RS-422/485)
3	<ul style="list-style-type: none"> CTS1 (RS-232) RXD2+ (RS-422/485) 	4	Ground
5	<ul style="list-style-type: none"> TXD1 (RS-232) TXD1- (RS-422/485) 	6	<ul style="list-style-type: none"> RTS1 (RS-232) TXD2+ (RS-422/485)
7	Ground	8	<ul style="list-style-type: none"> RXD2 (RS-232) RXD2- (RS-422/485)
9	<ul style="list-style-type: none"> CTS2 (RS-232) RXD2+ (RS-422/485) 	10	Ground
11	<ul style="list-style-type: none"> TXD2 (RS-232) TXD2- (RS-422/485) 	12	<ul style="list-style-type: none"> RTS2 (RS-232) TXD2+ (RS-422/485)
13	Ground	14	Aux I ² C Clock
15	Aux I ² C Data	16	Ground
17	Battery input	18	GPIO2
19	Ground	20	GPIO1
21	+3.3 V power for LEDs	22	Ground
23	Ethernet 0 LED	24	Ethernet 1 LED
25	USB1 +5.0 V	26	USB1 Data +
27	USB1 Data -	28	USB2 +5.0 V
29	USB2 Data +	30	USB2 Data -
31	USB3 +5.0 V	32	USB3 Data +
33	USB3 Data -	34	USB4 +5.0 V
35	USB4 Data +	36	USB4 Data -
37	+5 V (Protected)	38	Programmable LED
39	Speaker	40	Pushbutton reset
41	Power button	42	Ground
43	USB5 +5.0 V	44	USB5 Data +
45	USB5 Data -	46	Ground
47	USB5 +5.0 V	48	No connect
49	No connect	50	Ground



BENGAL_18

Table 12 shows signal routing of the J18 User I/O connector to the VL-CBR-5015 paddleboard.

Table 12: User I/O Connector Signal Routing to VL-CBR-5015 Paddleboard

J18 Pin	CBR-5015 Connector	Signal		J18 Pin	CBR-5015 Connector	Signal
		RS-232	RS-422/485			
				25		USB1 +5.0 V
1	J3 Top COM1	Ground	Ground	26	J5 Top USB 1	USB1 Data +
2		RXD1	RxD1-	27		USB1 Data -
3		CTS1	RxD1+	28		USB2 +5.0V
4		Ground	Ground	29	J5 Bottom USB 2	USB2 Data +
5		TXD1	TxD1-	30		USB2 Data -
6		RTS1	TxD1+	31	J4 Top USB 3	USB3 +5.0 V
7	Ground	Ground	32	USB3 Data +		
8	RXD2	RxD2-	33	USB3 Data -		
9	J3 Bottom COM2	CTS2	RxD2+	34	J4 Bottom USB 4	USB4 +5.0V
10		Ground	Ground	35		USB4 Data +
11		TXD2	TxD2-	36		USB4 Data -
12		RTS2	TxD2+	37	+5.0 V (Protected)	
13	J2	2	Ground	38	D1	Programmable LED
14		1	AUX I ² C Clock	39	SP1	Speaker
15		3	AUX I ² C Data	40	S2, J2 Pin 11	Pushbutton Reset
16		4	Ground	41	S1, J2 Pin 13	Power Button
17	B1	Battery Input		42	J2 Pin 14	Ground
18	J2	5	GPIO2	43	J6 USB 5	USB5 +5.0 V
19		6	Ground	44		USB5 Data+
20		7	GPIO1	45		USB5 Data-
21		8	3.3 V Power for LEDs	46		Ground
22		12	Ground	47	USB5 +5.0 V	
23		9	Ethernet 0 LED	48	Not Functional	NC
24	10	Ethernet 1 LED	49	NC		
				50		Ground

Serial Ports

The Bengal features two on-board 16550-based serial communications channels located at standard PC I/O addresses. The serial ports can be operated in RS-232 4-wire, RS-422, or RS-485 modes. IRQ lines are chosen in the BIOS Setup utility. Each COM port can be independently enabled, disabled, or assigned a different I/O base address in the BIOS Setup utility.

COM Port Configuration

Use the BIOS Setup utility to select between RS-232 and RS-422/485 operating modes.

Jumper block V1 configures the serial ports for RS-422/485 operation. See [Jumper Summary](#) for details. The 120 Ω termination resistor should be enabled RS-485 endpoint stations; termination is optional for RS-422. It should be disabled for all RS-232 modes and RS-485 intermediate stations.

If RS-485 mode is used, the differential twisted pair (TxD+/RxD+ and TxD-/RxD-) is formed by connecting plus-to-plus and minus-to-minus.

RS-485 Mode Line Driver Control

The transmit line driver can be automatically turned on and off based on data availability in the UART output FIFO. This mode can be enabled in the BIOS Setup utility. The transmit line driver can be enabled in the BIOS Setup utility.

Serial Port Connectors

The pinouts of the DB9M connectors apply to the serial connectors on the VL-CBR-5015 paddleboard.

These connectors use IEC 61000-4-2-rated TVS components to help protect against ESD damage.

Table 13: COM1-2 Pinout – VL-CBR-5015 Connector J3

COM1	COM2	RS-232	RS-422	RS-485
Top DB9 J3 Pin	Bottom DB9 J3 Pin			
1	1	—	—	—
2	2	RXD*	RxD-	RxD-
3	3	TXD*	TxD-	TxD-
4	4	—	—	—
5	5	Ground	Ground	Ground
6	6	—	—	—
7	7	RTS	TxD+	TxD+
8	8	CTS	RxD+	RxD+
9	9	—	—	—

I²C

Pins 14 and 15 of I/O connector J18 connect to the first of the seven I²C ports on the Intel Atom “Bay Trail” processor. The Bengal has a 3.3 V I²C interface. The required pullups for this interface are included in the Bengal design. The 3.3 V power for this interface is the same as used for the digital I/O interface. By default, this power is turned off when the processor is in a sleep state.

GPIO

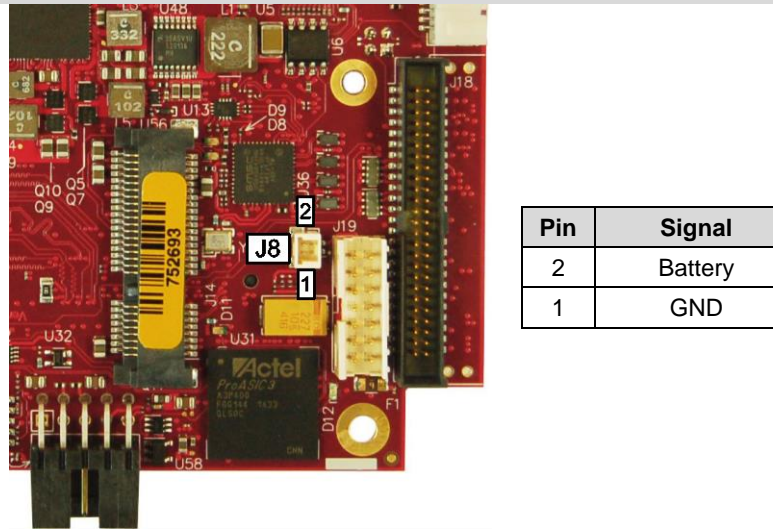
I/O connector J18 provides two general-purpose I/O signals:

- GPIO1 on pin 20
- GPIO2 on pin 18

These signals connect to the FPGA on the Bengal.

Battery Connector

Connector J8 can be used to connect an external battery to the Bengal board. A compatible battery is available from VersaLogic, part number VL-CBR-0203.



BENGAL_21

Figure 13. Location and Pin Configuration of J8 Battery Connector

VL-CBR-0203 External Battery Module

The VL-CBR-0203 is an external battery module compatible with the Bengal board. For more information, contact Sales@VersaLogic.com.



Figure 14. VL-CBR-0203 Latching Battery Module



CAUTION: If the Bengal board is older than Rev 3.00 and you are using a CBR-5015 paddleboard with the Bengal board, do not connect an external battery using the J8 connector. Connecting two batteries on a Rev 1.xx or Rev 2.xx version Bengal board will damage the batteries and may possibly damage the Bengal board and

the CBR-5015 paddleboard.

On Bengal boards Rev 3.00 and newer, diode protection has been added to allow two batteries to be used safely for extended RTC backup times.

Ethernet Status LEDs

I/O connector J18 provides two Ethernet Activity LEDs:

- Pin 23 (Ethernet 0)
- Pin 24 (Ethernet 1)

USB Interfaces

The Bengal includes five USB 2.0 host ports and one USB 3.0 host port. The five USB 2.0 ports are incorporated into the J18 I/O connector, with standard USB Type A connectors located on the VL-CBR-5015 paddleboard. Connector J16 on the bottom side of the Bengal provides a USB 3.0 Micro-A (host) connector. Table 14 lists the pinout of the J16 connector.

Table 14: USB 3.0 J16 Connector Pinout

J16 Pin	Signal Name	Direction	Function
1	+5V	Out	+5.0 volts
2	USB-	I/O	USB 2.0 differential pair negative
3	USB+	I/O	USB 2.0 differential pair positive
4	ID	In	Not used (Note)
5	GND	—	Ground
6	MICA_SSTX-	Out	USB 3.0 transmit differential pair negative
7	MICA_SSTX+	Out	USB 3.0 transmit differential pair positive
8	GND	—	Ground
9	MICA_SSRX-	In	USB 3.0 receive differential pair negative
10	MICA_SSRX+	In	USB 3.0 receive differential pair positive

Note: This signal is typically used for On-The-Go (OTG) mode. The Bengal does not support this mode.

This interface can operate using either the Atom processor's EHCI controller or its xHCI controller. To use the USB 3.0 Super Speed mode, the xHCI controller must be used. USB controller selection is set in the BIOS. By default, EHCI is used. Some older operating systems (such as MS-DOS) may not support xHCI.

The VersaLogic VL-CBR-1015 cable is a USB 3.0 Micro-A to Micro-B adapter. The VL-CBR-1015 cable can be used to connect the Bengal to any certified USB 3.0 hubs.

LEDs

Programmable LED

Connector J18 includes an output signal for a programmable LED. Connect the cathode of the LED to J18 pin 38; connect the anode to +5 V. An on-board 332 Ω resistor limits the current to 15 mA. A programmable LED is provided on the VL-CBR-5015 paddleboard. The programmable LED is the top LED at position D1.

SATA/mSATA Activity LED

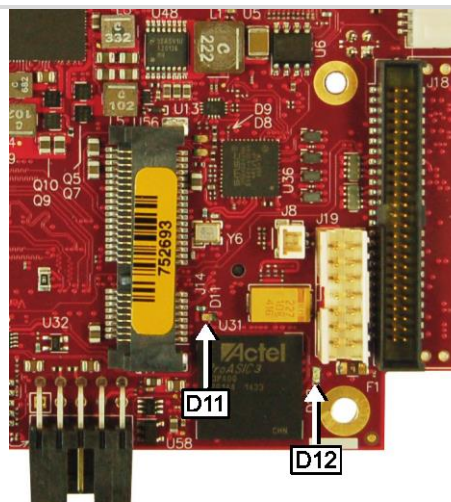
Figure 15 shows the location (D12) of the SATA/mSATA activity blue LED. This LED indicates activity on either the SATA or the mSATA interface. Not all mSATA drives provide this disk activity signal.

Power LEDs

Figure 15 shows the location (D11) of the dual green/yellow LED. This dual LED indicates the following:

- The green LED illuminates when all power rails are within specified limits and indicates that the board is in the S0 power state. If any power rail is not within specified limits, the green LED will not illuminate. The green LED blinks at a slow rate when the processor is in a sleep or hibernate mode indicating that the sustain rail power is still within specified limits
- The yellow LED is a fault indicator that illuminates if there is a problem with the processor booting. (Software can also be used to turn on this LED to indicate a major software failure.)

The power LED on the VL-CBR-5015 indicates that the paddleboard is being powered by the 5 V supply (though it does not indicate that all S0 power supplies are within specified limits). The LED is lit only when the board is in the S0 power state. If the board enters a Sleep or Hibernate mode, the LED will not be lit.



BENGAL_26

Figure 15. Location of the D11 and D12 LEDs

Power Button

Connector J18 includes an input for a power button. Shorting J18 pin 41 to ground causes the board to enter an S5 power state (similar to the Windows Shutdown state). Shorting it again returns the board to the S0 power state and reboots the board. The button can be configured in Windows to enter an S3 power state (Sleep, Standby, or Suspend-to-RAM), an S4 power state (Hibernate or Suspend-to-Disk), or an S5 power state (Shutdown or Soft-Off).

The input can be connected to ground using the normally open contacts of a pushbutton switch or a relay, or with a switching transistor (open-collector or open-drain) capable of sinking 1 mA. The input must be driven to a voltage between 0 V and 500 mV to be recognized by the Bengal. Do not add an external pull-up resistor to this signal.

This connector uses IEC 61000-4-2-rated TVS components to help protect against ESD damage.

A power button is provided on the VL-CBR-5015 paddleboard (S1). Header J2 on the paddleboard also provides a power button signal on pin 13 and ground on pin 14.

In configurations where a power button is not connected to the board, if the system is put into an S5 state, power can be restored by turning off the power supply and turning it back on. This behavior is set by default in the BIOS.

Supported Power States

Table 15 lists the supported power states.

Table 15: Supported Power States

Power state	Description
S0 (G0)	Working
S1 (G1-S1)	All processor caches are flushed, and the CPUs stop executing instructions. Power to the CPUs and RAM is maintained. Devices that do not indicate they must remain on may be powered down.
S3 (G1-S3)	Commonly referred to as Standby, Sleep, or Suspend-to-RAM. RAM remains powered.
S4 (G1-S4)	Hibernation or Suspend-to-Disk. All content of main memory is saved to non-volatile memory, such as a hard drive, and is powered down.
S5 (G2)	Soft Off. Almost the same as G3 Mechanical Off, except that the power supply still provides power, at a minimum, to the power button to allow return to S0. A full reboot is required. No previous content is retained. Other components may remain powered so the computer can "wake" on input from the keyboard, clock, modem, LAN, or USB device.
G3	Mechanical off (ATX supply switch turned off).

Pushbutton Reset

Connector J18 includes an input for a pushbutton reset switch. Shorting J18 pin 40 to ground causes the Bengal to reboot.

The input can be connected to ground using the normally open contacts of a pushbutton switch or a relay, or with a switching transistor (open-collector or open-drain) capable of sinking 1 mA. The input must be driven to a voltage between 0 V and 500 mV to be recognized by the Bengal. Do not add an external pull-up resistor to this signal.

This connector uses IEC 61000-4-2-rated TVS components to help protect against ESD damage.

A reset button is provided on the VL-CBR-5015 paddleboard (S2). Header J2 on the paddleboard also provides a reset signal on pin 11 and ground on pin 14.

**Note:**

Holding the reset button in when powering on the board prevents booting and requires a re-power. Make sure the reset button is not being asserted low when powering on the board.

Speaker

Connector J18 includes a speaker output signal at pin 39. The VL-CBR-5015 paddleboard provides a Piezo-electric speaker (as shown in Figure 8).

Video Interfaces

The Bengal incorporates the Intel Gen-7 graphics core with four Execution Units and Turbo Boost. It supports two independent displays. It also supported formats including DirectX 11, OpenGL 3, VP8, MPEG2, H.264, VC1, 2 HD streams (1080p@30fps), Flash and WMP support.

Analog and dual mini DisplayPort video interfaces support Extended Desktop, Clone, and Twin display modes.

The optional VL-EPH-V6 video adapter card converts DisplayPort output to LVDS for flat panel operation.

VGA Connector

An adapter cable, VL-CBR-1204, is available to translate VGA connector J5 into a standard 15-pin D-Sub SVGA connector. The VGA port supports resolutions up to 2560 x 1600 at 60 Hz. This connector is protected against ESD damage.

When the Bengal is booted, the BIOS tests for a video monitor attached to the VGA port. If a monitor is not detected during this test, the VGA signals are disabled.

Table 16: VGA Video Output Pinout

J5 Pin	Signal name	Function	Mini DB15 Pin
1	GND	Ground	6
2	RED	Red Video	1
3	GND	Ground	7
4	GREEN	Green Video	2
5	GND	Ground	8
6	BLUE	Blue Video	3
7	GND	Ground	10
8	HSYNC	Horizontal Sync	13
9	GND	Ground	5
10	VSYNC	Vertical Sync	14
11	SCL	DDC Serial Data Line Clock	15
12	SDA	DDC Serial Data Line	12

DisplayPort

Two DisplayPort connections are provided using two 20-pin mini DisplayPort connectors at locations J3 and J22. DisplayPort consists of three interfaces:

- Main Link – transfers high-speed isochronous video and audio data.
- Auxiliary channel – used for link management and device control; the EDID is read over this interface.
- Hot Plug Detect – indicates that a cable is plugged in.

DisplayPort1 (J3) is the DP++ port that presently supports audio signaling.

Table 17: mini DisplayPort Connector Pinout

J3, J22 Pin	Signal Name	J3, J22 Pin	Signal Name
1	GND	2	HOT PLUG DETECT
3	ML_LANE0_P	4	CONFIG 1
5	ML_LANE0_N	6	CONFIG 2
7	GND	8	GND
9	ML_LANE1_P	10	ML_LANE3_P
11	ML_LANE1_N	12	ML_LANE3_N
13	GND	14	GND
15	ML_LANE2_P	16	AUX_CH_P
17	ML_LANE2_N	18	AUX_CH_N
19	RTN	20	DP_POWER

Console Redirection

The Bengal board can be configured for remote access by redirecting the console to a serial communications port. The BIOS Setup utility and some operating systems (such as MS-DOS) can use this console for user interaction.

The default settings for the redirected console are 115.2 kbps, 8 data bits, 1 stop bit, no parity, and no flow control.

Ethernet

The Bengal features two on-board Intel I210-IT Gigabit Ethernet controllers. The controllers provide a standard Ethernet interface for 1000Base-T, 100Base-TX, and 10Base-T applications. Drivers are available to support a variety of operating systems. These interfaces are protected against ESD damage.

Ethernet Connectors

Two Ethernet interfaces are provided at connector locations J7 (Ethernet 0) and J1 (Ethernet 1). The I210-IT Ethernet controller auto-negotiates connection speed. VersaLogic cable VL-CBR-0804 adapts the 8-pin Ethernet connector to an RJ-45 connector. Table 18 lists the pinout of the J1 and J7 Ethernet connectors. Figure 16 is a side view of the board showing the Ethernet connectors and their pin configurations.

Table 18: Ethernet Connector Pinout (J1, J7)

J1, J7 Pin	10/100 Signal Name	10/100/1000 Signal Name	VL-CBR-0804 RJ-45 Pin
1	- Auto Switch (Tx or Rx)	BI_DD-	8
2	+ Auto Switch (Tx or Rx)	BI_DD+	7
3	- Auto Switch (Tx or Rx)	BI_DB-	6
4	+ Auto Switch (Tx or Rx)	BI_DB+	3
5	- Auto Switch (Tx or Rx)	BI_DC-	5
6	+ Auto Switch (Tx or Rx)	BI_DC+	4
7	- Auto Switch (Tx or Rx)	BI_DA-	2
8	+ Auto Switch (Tx or Rx)	BI_DA+	1

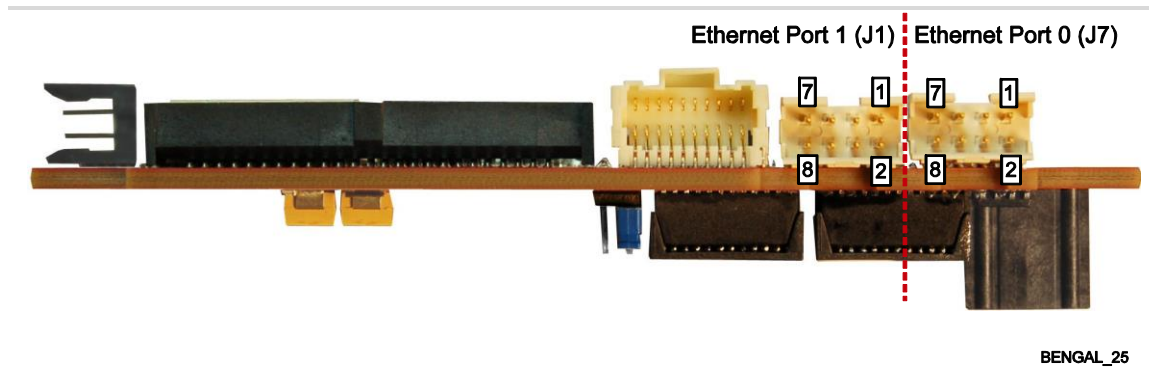


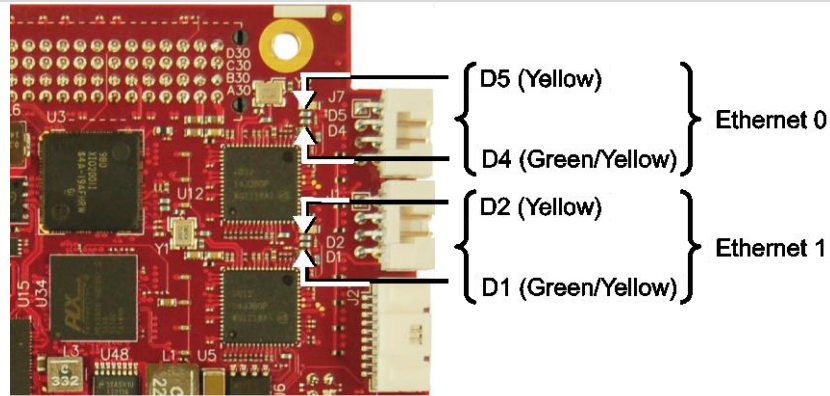
Figure 16. Side View of Board Showing Pin Numbers of the Ethernet Connectors

Ethernet Status LEDs

On-board status LEDs are provided at locations D5 (single yellow) and D4 (dual green/yellow) for Ethernet 0, and D2 (single yellow) and D1 (dual green/yellow) for Ethernet 1. Table 19 lists the states of the Ethernet status LEDs. Figure 17 shows the locations of the Ethernet status LEDs.

Table 19: Ethernet Status LEDs

Port/LED	Color	State	Description
<ul style="list-style-type: none"> Ethernet 0 – LED D5 Ethernet 1 – LED D2 	Yellow (Activity)	On	Cable connected (blinks with activity)
		Off	Cable not connected
<ul style="list-style-type: none"> Ethernet 0 – LED D4 Ethernet 1 – LED D1 	Green/Yellow (Link Speed)	Yellow	1 Gbps speed
		Green	100 Mbps speed
		Off	10 Mbps speed or cable not connected



BENGAL_24

Figure 17. Location of Ethernet Status LEDs

SATA Port

The Bengal provides one 3 GB/s SATA port (J2). The SATA connector is a standard 7-pin right-angle connector with latching capability.

Power to the SATA drive is provided by the ATX power supply. Note that the standard SATA drive power connector is different from the typical 4-pin Molex connector used on IDE drives. Most current ATX power supplies provide SATA connectors, and many SATA drives provide both types of power connectors. If the power supply you are using does not provide SATA connectors, adapters are available.

Table 20: SATA Port Pinout

SATA Pin	Signal Name	Function
1	GND	Ground
2	TX+	Transmit +
3	TX-	Transmit -
4	GND	Ground
5	RX-	Receive -
6	RX+	Receive +
7	GND	Ground

PCIe Mini Card / mSATA

The socket at location J14 accepts a full-height PCI Express Mini Card or an mSATA module.

The PCIe Mini Card interface includes one PCIe x1 lane, one USB 2.0 channel, and the SMBus interface. The socket is compatible with plug-in Wi-Fi modems, GPS receivers, Flash data storage, and other cards for added flexibility. An Intel[†] Centrino[†] Advanced-N 6205 Wireless Express Mini Card (VL-MPEe-W2) is available from VersaLogic. A Wi-Fi antenna (VL-CBR-ANT01) and a 12-inch Wi-Fi card to bulkhead RP-SMA transition cable (VL-CBR-0201) are also available. For more information, contact Sales@VersaLogic.com.

The VL-MPEs-F1E series of mSATA modules provide flash storage of 4 GB, 16 GB, or 32 GB.

To secure a Mini Card or mSATA module to the on-board standoffs, use two M2.5 x 6mm pan head Philips nylon screws. These screws are available in quantities of 10 in the VL-HDW-108 hardware kit from VersaLogic.

Table 21: PCIe Mini Card / mSATA Pinout

J14 Pin	PCIe Mini Card Signal Name	PCIe Mini Card Function	mSATA Signal Name	mSATA Function
1	WAKE#	Wake	Reserved	Not connected
2	3.3VAUX	3.3V auxiliary source	+3.3V	3.3V source
3	NC	Not connected	Reserved	Not connected
4	GND	Ground	GND	Ground
5	NC	Not connected	Reserved	Not connected
6	1.5V	1.5V power	+1.5V	1.5V power
7	NC	Not connected	Reserved	Not connected
8	NC	Not connected	Reserved	Not connected
9	GND	Ground	GND	Ground
10	NC	Not connected	Reserved	Not connected
11	REFCLK-	Reference clock input –	Reserved	Not connected
12	NC	Not connected	Reserved	Not connected
13	REFCLK+	Reference clock input +	Reserved	Not connected
14	NC	Not connected	Reserved	Not connected
15	GND	Ground	GND	Ground
16	NC	Not connected	Reserved	Not connected
17	NC	Not connected	Reserved	Not connected
18	GND	Ground	GND	Ground
19	NC	Not connected	Reserved	Not connected
20	W_DISABLE#	Wireless disable	Reserved	Not connected
21	GND	Ground	GND	Ground
22	PERST#	Card reset	Reserved	Not connected
23	PERn0	PCIe receive –	+B	Host receiver diff. pair +
24	3.3VAUX	3.3V auxiliary source	+3.3V	3.3V source
25	PERp0	PCIe receive +	-B	Host receiver diff. pair –
26	GND	Ground	GND	Ground

J14 Pin	PCIe Mini Card Signal Name	PCIe Mini Card Function	mSATA Signal Name	mSATA Function
27	GND	Ground	GND	Ground
28	1.5V	1.5V power	+1.5V	1.5V power
29	GND	Ground	GND	Ground
30	SMB_CLK	SMBus clock	Two Wire I/F	Two wire I/F clock
31	PETn0	PCIe transmit –	-A	Host transmitter diff. pair –
32	SMB_DATA	SMBus data	Two Wire I/F	Two wire I/F data
33	PETp0	PCIe transmit +	+A	Host transmitter diff. pair +
34	GND	Ground	GND	Ground
35	GND	Ground	GND	Ground
36	USB_D-	USB data –	Reserved	Not connected
37	GND	Ground	GND	Ground
38	USB_D+	USB data +	Reserved	Not connected
39	3.3VAUX	3.3V auxiliary source	+3.3V	3.3V source
40	GND	Ground	GND	Ground
41	3.3VAUX	3.3V auxiliary source	+3.3V	3.3V source
42	LED_WWAN#	Wireless WAN LED	Reserved	Not connected
43	GND	mSATA detect ¹	GND/NC	Ground/not connected ²
44	LED_WLAN#	Wireless LAN LED	Reserved	Not connected
45	NC	Not connected	Vendor	Not connected
46	LED_WPAN#	Wireless PAN LED	Reserved	Not connected
47	NC	Not connected	Vendor	Not connected
48	1.5V	1.5V power	+1.5V	1.5V power
49	Reserved	Reserved	DA/DSS	Device activity ³
50	GND	Ground	GND	Ground
51	Reserved	Reserved	GND	Ground ⁴
52	3.3VAUX	3.3V auxiliary source	+3.3V	3.3V source

Notes:

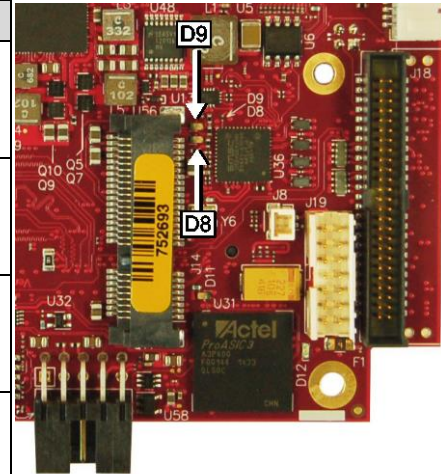
1. This pin is not grounded on the Bengal since it can be used to detect the presence of an mSATA module versus a PCIe Mini Card. Grounding this pin is available as an option on custom boards.
2. This pin is not grounded on the Bengal to make it available for mSATA module detection.
3. This signal drives the blue LED activity indicator at location D12 in the lower right corner of the board (refer to Figure 15). This LED lights with mSATA disk activity, if supported by the mSATA module.
4. Some PCIe modules use this signal as a second Mini Card wireless disable input. On the Bengal, this signal is available for use for mSATA versus PCIe Mini Card detection. There is an option in the BIOS Setup utility for setting the mSATA detection method.

PCIe Mini Card LEDs

Two dual-colored PCIe Mini Card LEDs are provided on the Bengal at locations D8 and D9. Table 22 lists the states of the LEDs.

Table 22: PCIe Mini Card LED States

LED	Color	Status (when lit)
D8	Green	Activity on Wireless WAN (Note)
	Yellow	Activity on Wireless LAN (Note)
D9	Green	Activity on Wireless PAN (Note)
	Yellow	Illuminates when the 3.3 V power to the Mini Card is on. It alerts users to not hot-plug the Mini Card. By default, Mini Card power stays on when the processor is in sleep modes.



BENGAL_23

Note: These LEDs will illuminate when the associated device is installed and capable of transmitting. Their function is determined by the installed device.



Integrator's Note:

The 3.3 V power to the Mini Card can be controlled by the FPGA. By default, the power is always on, but there is a register setting that turns this power off in sleep modes. The 1.5 V power is always turned off in sleep modes.

Digital I/O

The 20-pin I/O connector (J21) incorporates 16 digital I/O (DIO) lines that are independently configurable as an input or output. DIO inputs can be set for normal or inverted level. DIO outputs can be set to be normal HIGH or LOW state. There are pull-up resistors to +3.3 V on all DIO lines. The pull-ups implemented — in the FPGA — can range in value from 20 kΩ to 40 kΩ. After reset, the DIO lines are set as inputs with pull-ups that will be detected as a HIGH state to external equipment.

VersaLogic provides a set of application programming interface (API) calls for managing the DIO lines. See the [VersaAPI Support Page](#) for information.

Table 23 shows the function of each J21 pin and how they are routed to the paddleboard.

Table 23: J21 I/O Connector Pinout

J21 Pin	Signal	VL-CBR-2004B Connector	VL-CBR-2004B Pin
1	Digital I/O 1		5
2	Digital I/O 2		4
3	Digital I/O 3	J1	3
4	Digital I/O 4		1
5	Ground		2
6	Digital I/O 5		5
7	Digital I/O 6		4
8	Digital I/O 7	J2	2
9	Digital I/O 8		1
10	Ground		3
11	Digital I/O 9 (optional Timer Channel 5 Output)		5
12	Digital I/O 10 (optional Timer Channel 5 Output)		3
13	Digital I/O 11 (optional Timer Channel 3 Gate Input)	J3	2
14	Digital I/O 12 (optional Timer Channel 4 Gate Input)		1
15	Ground		4
16	Digital I/O 13 (optional Timer 3 Output)		4
17	Digital I/O 14 (optional Timer 3 Input)		3
18	Digital I/O 15 (optional Timer 4 Output)	J4	2
19	Digital I/O 16 (optional Timer 4 Input)		1
20	Ground		5

FPGA registers control the mode on pins 11-14 and 16-19. By default, they are DIOs. There are FPGA register settings to select the timer signals in 4-signal mode (pins 16-19) and 8-signal mode (11-15 and 16-19).

DIO Guidelines

Consider the following guidelines when using the Bengal DIO lines.

Voltage

The Bengal DIO lines are 3.3 V Low-voltage TTL (LVTTTL) compatible DIOs capable of sourcing/sinking up to 4 mA of current. Level shifting or current limiting is necessary when connecting signals with different voltage rails.



CAUTION:

Do not connect the DIO signals to external +5 V devices; doing so will damage the FPGA and void the warranty.

Power States

CPU power states will affect voltage rails driving DIO circuits as described below:

- DIOs and their pull-up resistors will remain powered in all CPU power states (except when power is turned off).
- Power control during CPU power states on user devices connected to DIO lines is dependent on the application design. These external devices would likely remain powered unless a power-down mechanism is designed into the system.
- Care must be taken when powered DIO signals are connected to un-powered DIO signals. Significant voltage and current can be leaked from a powered system to an un-powered system causing unpredictable results. Current limiting and/or diode isolation can help.

Cables

Cabling issues will affect the usable speed of DIO signals.

- These are single-ended drivers/receivers.
- Cabling crosstalk can be a problem with fast edge rates. The DIOs are slew-rate limited and have 50 Ω source terminators to minimize crosstalk and reflections.

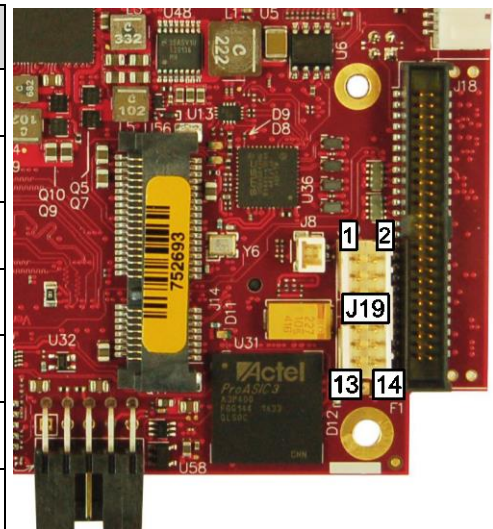
SPX Expansion Bus

Up to two serial peripheral expansion (SPX) devices can be attached to the Bengal at connector J19 using a VL-CBR-1401 or VL-CBR-1402 cable. The SPX interface provides the standard serial peripheral interface (SPI) signals: SCLK, MISO, and MOSI, as well as four chip selects, SS0# – SS3#, and an interrupt input, SINT#.

The +5 V power provided to pins 1 and 14 of J19 is protected by a 1 A resettable fuse.

Table 24: SPX Expansion Bus Pinout

Pin	Signal/ Function	Pin	Signal/Function
1	V5_0 +5 V (Protected)	2	SCLK Serial Clock
3	GND Ground	4	MISO Serial Data In
5	GND Ground	6	MOSI Serial Data Out
7	GND Ground	8	SS0# Chip Select 0
9	SS1# Chip Select 1	10	SS2# Chip Select 2
11	SS3# Chip Select 3	12	GND Ground
13	SINT# Interrupt Input	14	V5_0 +5 V (Protected)



BENGAL_22

SPI is, in its simplest form, a three wire serial bus. One signal is a clock, driven only by the permanent master device on-board. The others are Data In and Data Out with respect to the master. The SPX implementation adds additional features, such as chip selects and an interrupt input to the Master. The master device initiates all SPI transactions. A slave device responds when its chip select is asserted and it receives clock pulses from the master.

The SPI clock rate can be software configured to operate at speeds between 1 MHz and 8 MHz. Because this clock is divided from a 33 MHz PCI clock, the actual generated frequencies are not discrete integer MHz frequencies. All four common SPI modes are supported through the use of clock polarity and clock idle state controls.

VersaLogic SPX Expansion Modules

VersaLogic offers several SPX modules that provide a variety of standard functions, such as analog input, digital I/O, CANbus controller, and others. These are small boards (1.2 x 3.78 inches) that can mount on the PC/104 stack, using standard standoffs, or up to two feet away from the baseboard. For more information, contact VersaLogic at Info@VersaLogic.com.

SPI Registers

A set of control and data registers are available for SPI transactions. The following tables describe the SPI control registers (SPICONTROL and SPISTATUS) and data registers (SPIDATA3-0).

SPICONTROL (READ/WRITE) C88h

D7	D6	D5	D4	D3	D2	D1	D0
CPOL	CPHA	SPILEN1	SPILEN0	MAN_SS	SS2	SS1	SS0

Table 25: SPI Control Register 1 Bit Assignments

Bit	Mnemonic	Description			
D7	CPOL	SPI Clock Polarity – Sets the SCLK idle state. 0 = SCLK idles low 1 = SCLK idles high			
D6	CPHA	SPI Clock Phase – Sets the SCLK edge on which valid data will be read. 0 = Data read on rising edge 1 = Data read on falling edge			
D5-D4	SPILEN(1:0)	SPI Frame Length – Sets the SPI frame length. This selection works in manual and auto slave select modes.			
		SPILEN1	SPILEN0	Frame Length	
		0	0	8-bit	
		0	1	16-bit	
		1	0	24-bit	
		1	1	32-bit	
D3	MAN_SS	SPI Manual Slave Select Mode – This bit determines whether the slave select lines are controlled through the user software or are automatically controlled by a write operation to SPIDATA3 (CADh). If MAN_SS = 0, then the slave select operates automatically; if MAN_SS = 1, then the slave select line is controlled manually through SPICONTROL bits SS2, SS1, and SS0. 0 = Automatic, default 1 = Manual			
D2-D0	SS(2:0)	SPI Slave Select – These bits determine which slave select will be asserted. The SSx# pin on the baseboard will be directly controlled by these bits when MAN_SS = 1. ADIOMODE = 0 (default mode)			
		SS2	SS1	SS0	Slave Select
		0	0	0	None, port disabled
		0	0	1	SPX Slave Select 0, J28 pin-8
		0	1	0	SPX Slave Select 1, J28 pin-9
		0	1	1	SPX Slave Select 2, J28 pin-10
		1	0	0	SPX Slave Select 3, J28 pin-11
1	0	1	Not supported		
1	1	0	Not supported		
1	1	1	Not supported		

SPISTATUS (READ/WRITE) C89h

D7	D6	D5	D4	D3	D2	D1	D0
IRQSEL1	IRQSEL0	SPICLK1	SPICLK0	HW_IRQ_EN	LSBIT_1ST	HW_INT	BUSY

Table 26: SPI Control Register 2 Bit Assignments

Bit	Mnemonic	Description
D7-D6	IRQSEL(1:0)	IRQ Select – These bits select which IRQ is asserted when a hardware interrupt from a connected SPI device occurs. The HW_IRQ_EN bit must be set to enable SPI IRQ functionality.
		IRQSEL1 IRQSEL0 IRQ
		0 0 IRQ3
		0 1 IRQ4
		1 0 IRQ5
1 1 IRQ10		
D5-D4	SPICLK(1:0)	SPI SCLK Frequency – These bits set the SPI clock frequency.
		SPICLK1 SPICLK0 Frequency (MHz)
		0 0 1.03125
		0 1 2.0625
		1 0 4.125
1 1 8.25		
D3	HW_IRQ_EN	Hardware IRQ Enable – Enables or disables the use of the selected IRQ (IRQSEL) by an SPI device. 0 = SPI IRQ disabled, default 1 = SPI IRQ enabled Note: The selected IRQ is shared with PC/104 ISA bus devices. CMOS settings must be configured for the desired ISA IRQ.
D2	LSBIT_1ST	SPI Shift Direction – Controls the SPI shift direction of the SPIDATA registers. The direction can be shifted toward the least significant bit or the most significant bit. 0 = SPIDATA data is left-shifted (MSbit first), default 1 = SPIDATA data is right-shifted (LSbit first)
D1	HW_INT	SPI Device Interrupt State – This bit is a status flag that indicates when the hardware SPX signal SINT# is asserted. 0 = Hardware interrupt on SINT# is de-asserted 1 = Interrupt is present on SINT# This bit is read-only and is cleared when the SPI device’s interrupt is cleared.
D0	BUSY	SPI Busy Flag – This bit is a status flag that indicates when an SPI transaction is underway. 0 = SPI bus idle 1 = SCLK is clocking data in and out of the SPIDATA registers This bit is read-only.

SPIDATA0 (READ/WRITE) C8Ah

D7	D6	D5	D4	D3	D2	D1	D0
MSbit							LSbit

SPIDATA1 (READ/WRITE) C8Bh

D7	D6	D5	D4	D3	D2	D1	D0
MSbit							LSbit

SPIDATA2 (READ/WRITE) C8Ch

D7	D6	D5	D4	D3	D2	D1	D0
MSbit							LSbit

SPIDATA3 (READ/WRITE) C8Dh

D7	D6	D5	D4	D3	D2	D1	D0
MSbit							LSbit

SPIDATA3 contains the most significant byte (MSB) of the SPI data word. A write to this register initiates the SPI clock and, if the MAN_SS bit = 0, also asserts a slave select to begin an SPI bus transaction. Increasing frame sizes from 8-bit uses the lowest address for the least significant byte of the SPI data word; for example, the LSB of a 24-bit frame would be SPIDATA1. Data is sent according to the LSBIT_1ST setting. When LSBIT_1ST = 0, the MSbit of SPIDATA3 is sent first, and received data will be shifted into the LSbit of the selected frame size set in the SPILEN field. When LSBIT_1ST = 1, the LSbit of the selected frame size is sent first, and the received data will be shifted into the MSbit of SPIDATA3.

Data returning from the SPI target will normally have its most significant data in the SPIDATA3 register. An exception occurs when LSBIT_1ST = 1 to indicate a right-shift transaction. In this case, the most significant byte of an 8-bit transaction will be located in SPIDATA0, a 16-bit transaction's most significant byte will be located in SPIDATA1, and a 24-bit transaction's most significant byte will be located in SPIDATA2

This chapter discusses the following topics related to thermal issues:

- Selecting the correct thermal solution for your application (begins below)
- EPMe-30 thermal characterization (begins on page 52)
- Installing the passive (HDW-406 heat sink) and active (HDW-407 fan) thermal solutions available from VersaLogic (begins on page 56)

Selecting the Correct Thermal Solution for Your Application

This section provides guidelines for the overall system thermal engineering effort.

Heat Plate

The heat plate supplied with the Bengal is the basis of the thermal solution. The heat plate draws heat away from the CPU chip as well as other critical components such as the power supply / management unit, the PCIe-to-PCI Bridge, and the Ethernet interfaces. Other components rely on the ambient air temperature being maintained at or below the maximum specified 85 °C.

The heat plate is designed with the assumption that the user's thermal solution will maintain the top surface of the heat plate at 90 °C or less. If that temperature threshold is maintained, the CPU (and the other noted components) will remain safely within their operating temperature limits.



CAUTION:

By itself, the heat plate is not a complete thermal solution. Integrators should either implement a thermal solution using the accessories available from VersaLogic or develop their own thermal solution that attaches to the heat plate, suitable for environments in which the EPMe-30 will be used. As stated above, any thermal solution must be capable of keeping the top surface of the heat plate at or below 90 °C and the air surrounding the components in the assembly at or below 85 °C.

The heat plate is permanently affixed to the Bengal and must not be removed. Removal of the heat plate voids the product warranty. Attempting to operate the Bengal without the heat plate voids the product warranty and can damage the CPU.

System-level Considerations

The EPMe-30 thermal solutions – either the HDW-406 heat sink alone or with the HDW-407 fan – are part of the larger thermal system of the application. Other PC/104 boards stacked under the Bengal and any other nearby heat sources (power supplies or other circuits), all contribute to how the EPMe-30 will perform from a thermal standpoint.

The ambient air surrounding the EPMe-30 needs to be maintained at 85 °C or below. This can prove to be challenging depending on how and where the EPMe-30 is mounted in the end user system. Standard methods for addressing this requirement include the following:

- Provide a typical airflow of 100 linear feet per minute (LFM) / 0.5 linear meters per second (as described in the section titled EPMe-30 Thermal Characterization, beginning on page 52) within the enclosure
- Position the EPMe-30 board to allow for convective airflow
- Lower the system level temperature requirement as needed

The decision as to which thermal solution to use can be based on several factors including (but not limited to) the following:

- Number of CPU cores in the SoC (single, dual, or quad)
- CPU core program utilization
- Temperature range within which the EPMe-30 will be operated
- Air movement (or lack of air movement)
- Video processing intensity
- Memory access demands
- High speed I/O usage (PCIe, USB 3.0, SATA usage)

Most of these factors involve the demands of the user application on the EPMe-30 and cannot be isolated from the overall thermal performance. Due to the interaction of the user application, the Bengal thermal solution, and the overall environment of the end system, thermal performance cannot be rigidly defined.

CPU Thermal Trip Points

The CPU cores in the Bengal have their own thermal sensors. Coupled with these sensors are specific reactions to four thermal trip points. Table 27 describes the four thermal trip points.

Table 27: CPU Thermal Trip Points

Trip Point	Description
Active (Note 1)	The fan is turned on when this temperature is reached
Passive (Note 2)	At this temperature, the CPU cores throttle back to a lower speed. This reduces the power draw and the temperature.
Critical (Note 3)	At this temperature, the operating system typically puts the board into a sleep or other low-power state.
Maximum core temperature	The CPU turns itself off when this temperature is reached. This is a fixed trip point and cannot be adjusted.

Notes:

1. The default value in the BIOS Setup utility for this trip point is 55 °C.
2. The default value in the BIOS Setup utility for this trip point is 105 °C.
3. The default value in the BIOS Setup utility for this trip point is 110 °C.

These trip points allow maximum CPU operational performance while maintaining the lowest CPU temperature possible. The long-term reliability of any electronic component is degraded when it is continually run near its maximum thermal limit. Ideally, the CPU core temperatures would be kept well below 100 °C with only brief excursions above.

CPU temperature monitoring programs are available to run under both Windows and Linux. Table 28 lists some of these hardware monitoring programs.

Table 28: Temperature Monitoring Programs

Operating System	Program Type	Description
Windows	Core Temperature	http://www.alcpu.com/CoreTemp/
	Hardware Monitor	http://www.cpubid.com/software/hwmonitor.html
	Open Hardware Monitor	http://openhardwaremonitor.org/
Linux	lm-sensors	http://en.wikipedia.org/wiki/Lm_sensors

Thermal Specifications, Restrictions, and Conditions

Graphical test data is in the section titled EPMe-30 Thermal Characterization, beginning on page 52. Refer to that section for the details behind these specifications. These specifications are the thermal limits for using the EPMe-30 with one of the defined thermal solutions.

Due to the unknown nature of the entire thermal system, or the performance requirement of the application, VersaLogic cannot recommend a particular thermal solution. This information is provided for user guidance in the design of their overall thermal system solution.

Table 29: Absolute Minimum and Maximum Air Temperatures

Board	With Heat Plate	With Heat Sink (HDW-406)	With Heat Sink + Fan (HDW-406 + HDW-407)
VL-EPMe-30EAP	-40 ° to +85 °C	-40 ° to +85 °C	-40 ° to +85 °C
VL-EPMe-30EBP	-40 ° to +85 °C	-40 ° to +85 °C	-40 ° to +85 °C
VL-EPMe-30ECP	-40 ° to +85 °C	-40 ° to +85 °C	-40 ° to +85 °C

Overall Restrictions and Conditions

- Ranges shown assume less than 90% CPU utilization.
- Keep the maximum CPU core temperature below 100°C.
- The ambient air surrounding the EPMe-30 needs to be maintained at 85 °C or below. This includes the space between this CPU board and any board it is stacked on top of it. Included is the space beneath an installed miniPCle expansion board and the installed SODIMM. A recommended overall air flow of 100 Linear Feet per Minute (LFM) / 0.5 Linear Meters per Second (LMS) addresses this requirement. If this air flow is not provided, other means to keep the adjacent air at 85 °C or below must be implemented.

Heat Plate Only Restrictions and Conditions:

- The heat plate must be kept below 90 °C. This applies to a heat plate mounted directly to another surface.

Heat Sink Only Considerations:

- At 85°C air temperature and 90% CPU utilization, there will be little – if any – thermal margin to a CPU core temperature of 100 °C or the passive trip point (see test data). If this is the use case, consider adding a fan or other additional air flow.

Heat Sink with Fan Considerations:

- The heat sink and fan combination cools the CPU when it is running in high temperature environments, or when the application software is heavily utilizing the CPU or video circuitry. The fan assists in cooling the heat sink and provides additional air movement within the system.



Integrator's Note:

The ambient air surrounding the EPMe-30 needs to be maintained at 85 °C or below.

EPMe-30 Thermal Characterization

The EPMe-30 board underwent the following thermal characterization tests:

- Test Scenario 1: Single core EPMe-30EAP + HDW-406 heat sink
- Test Scenario 2: Dual core EPMe-30EBP + HDW-406 heat sink, with/without HDW-407 fan
- Test Scenario 3: Quad core EPMe-30ECP + HDW-406 heat sink, with/without HDW-407 fan

Table 30 describes the thermal testing setup for the board.

Table 30: EPMe-30 Thermal Testing Setup

Hardware configuration	EPMe-30 (Bengal) single/dual/quad core CPU with: <ul style="list-style-type: none"> ▪ 4 GB of DDR3 DRAM (VersaLogic part number VL-MM9-4EBN) ▪ HDW-406 (passive heat sink) ▪ HDW-407 (heat sink fan) ▪ One attached DisplayPort device ▪ Two RS-232 ports in loopback configuration ▪ Two active Ethernet ports ▪ Three USB 2.0 ports in loopback configuration
BIOS	<ul style="list-style-type: none"> ▪ ID string: Bengal_3.1.0.334.r1.101 ▪ Passive thermal trip point setting: 105 °C ▪ Critical thermal trip point setting: 110 °C
Operating system	Microsoft Windows 8.1 Enterprise
Test software	<ul style="list-style-type: none"> ▪ Passmark BurnIn Test v7.1 b1017 <ul style="list-style-type: none"> - CPU utilization ~90% ▪ Intel Thermal Analysis Tool (TAT) v5.0.1014 <ul style="list-style-type: none"> - Primarily used to read the CPU core temperature
Test environment	Thermal chamber

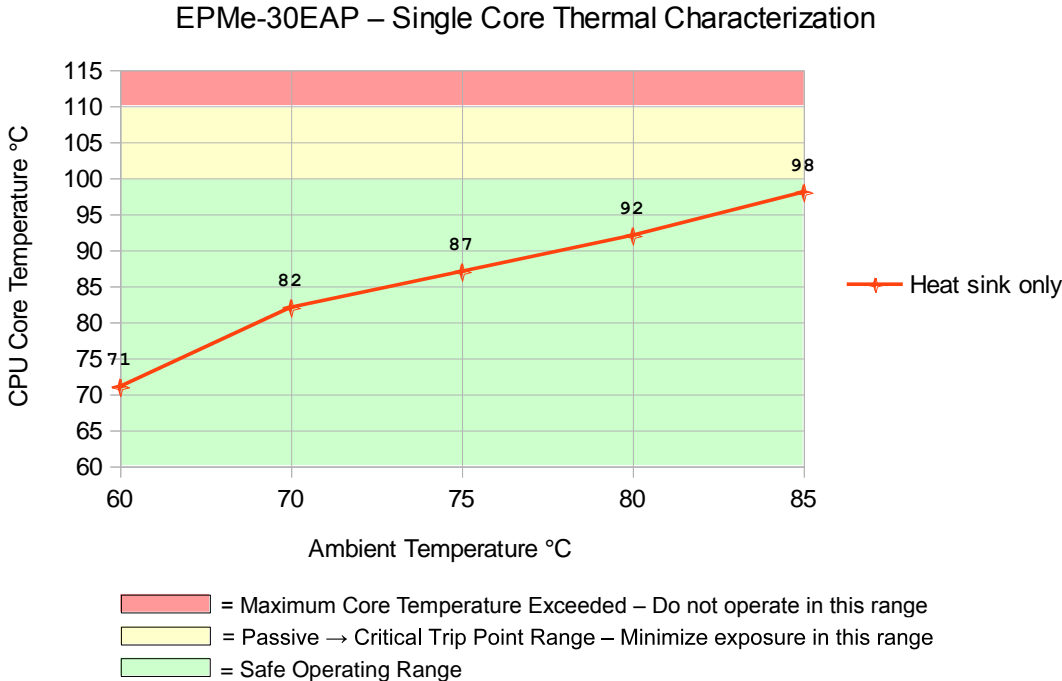
The test results reflect the test environment within the temperature chamber used. This particular chamber has an airflow of about 0.5 meters per second (~100 linear feet per minute). Thermal performance can be greatly enhanced by increasing the overall airflow beyond 0.5 meters per second.

The system power dissipation is primarily dependent on the application program; that is, its use of computing or I/O resources. The stress levels used in this testing are considered to be at the top of the range of a typical user's needs.

Test Results

Test Scenario 1: Single Core EPMe-30EAP + HDW-406 Heat Sink

At 90% CPU utilization, this single core unit operates within the CPU's core temperature safe operating range all the way up to +85 °C using only a heat sink.

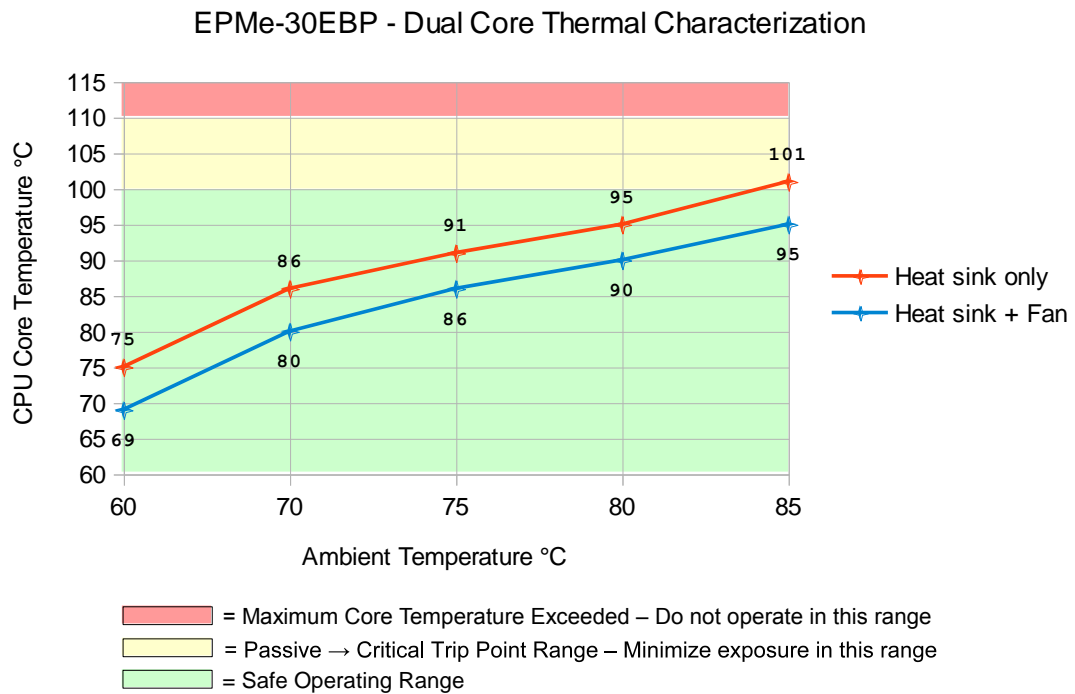


BENGAL_15

Figure 18. EPMe-30EAP CPU Core Temperature Relative to Ambient Temperature

Test Scenario 2: Dual Core EPMe-30EBP + HDW-406 Heat Sink, with/without HDW-407 fan

As shown in Figure 19, running the test scenario with just the heat sink, the core temperature is slightly above 100 °C at maximum ambient temperature. This will be less in most applications that require less than 90% CPU utilization. Adding the fan provides an additional 5-6 °C of margin. For long-term reliability, ensure the CPU cores are predominately running with their temperatures below 100 °C.

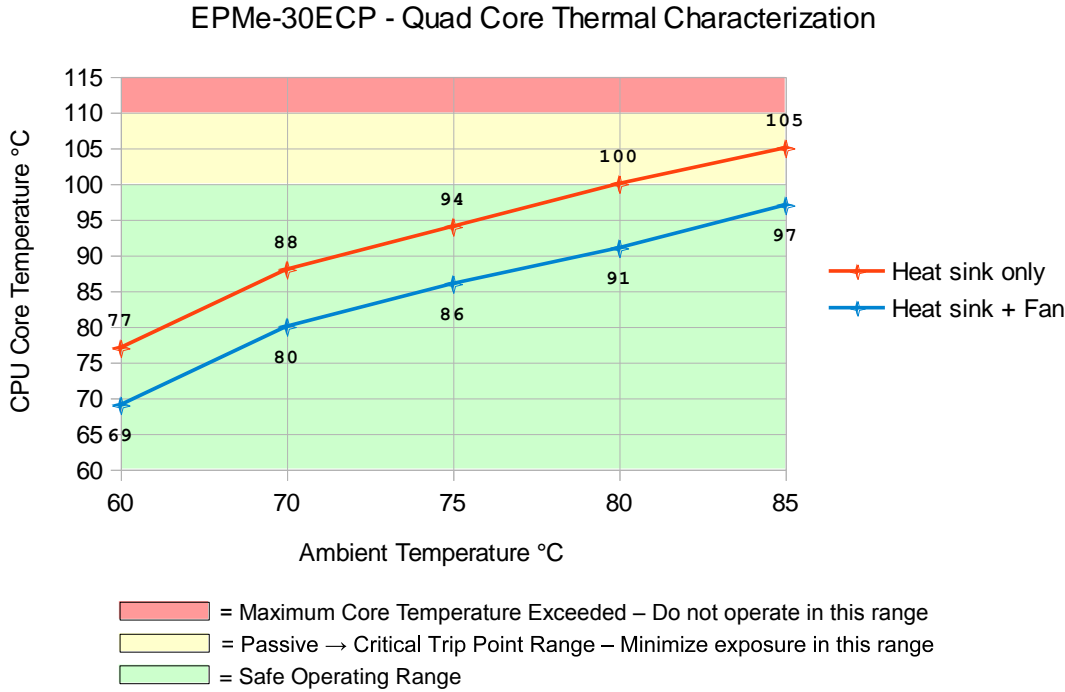


BENGAL_16

Figure 19. EPMe-30EBP CPU Core Temperature Relative to Ambient Temperature

Test Scenario 3: Quad Core EPMe-30ECP + HDW-406 Heat Sink, with/without HDW-407 Fan

As shown below, the quad core version of the Bengal will typically require a heat sink + fan for operation above 80 °C, at >90% CPU utilization.



BENGAL_17

Figure 20. EPMe-30ECP CPU Core Temperature Relative to Ambient Temperature

Installing the VersaLogic Thermal Solutions

The following thermal solution accessories are available from VersaLogic:

- VL-HDW-401 Thermal Compound Paste - used to mount the heat sink to the heat plate
- VL-HDW-406 Passive Heat Sink – mounts to standard product.
- VL-HDW-407 Fan Assembly – mounts to HDW-406 Heat Sink.
- VL-HDW-408 Heat Pipe Block.

Installing the Passive Heat Sink

Install the passive heat sink (VL-HDW-406) using these steps:

1. Apply the Arctic Silver[†] Thermal Compound

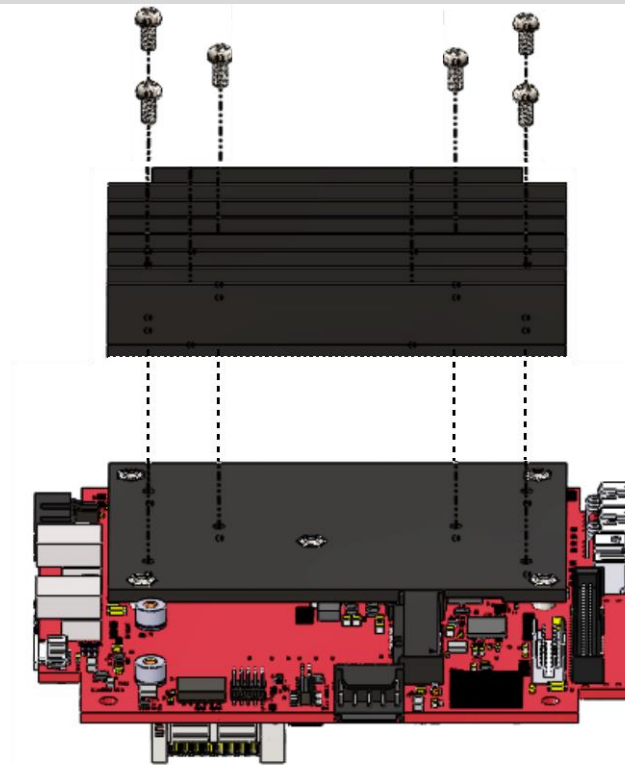
- Apply the thermal compound to the heat plate using the method described on the Arctic Silver website - <http://www.arcticsilver.com/>

2. Position the passive heat sink

- Using Figure 21 as a guide, align the six mounting holes of the heat sink with the heat plate.

3. Secure the passive heat sink to the heat plate

- Affix the passive heat sink to the heat plate using six M2.5 pan head screws.
- Using a torque screwdriver, tighten the screws to 4.0 inch-pounds.



BENGAL_13

Figure 21. Installing the Passive Heat Sink**Installing the Heat Sink Fan**

Install the heat sink fan (VL-HDW-407) using these steps:

1. Position the fan assembly

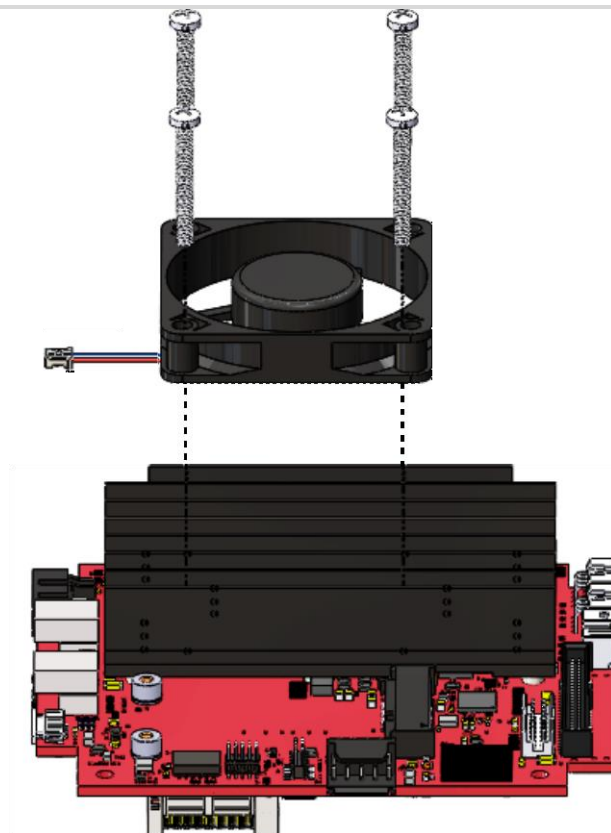
- Using Figure 22 as a guide, align the mounting holes of the heat sink fan with the four holes in the passive heat sink. Position the fan so that its power cable is on the side nearest the J24 CPU fan connector. The CPU fan connector is located between the two Mini DisplayPort connectors (see Figure 6.)

2. Secure the fan to the heat sink

- Affix the heat sink fan using four M3 pan head screws.
- Using a torque screwdriver, tighten the screws to 4.0 inch-pounds.

3. Connect power to the fan

- Connect the fan's power cable to the J24 CPU fan connector on the Bengal board.



BENGAL_14

Figure 22. Installing the Heat Sink Fan

Installing the Heat Pipe Block

1. Apply the Arctic Silver Thermal Compound (VL-HDW-401)

- Apply the thermal compound to the heat plate using the method described on the Arctic Silver website - <http://www.arcticsilver.com/>. The 4 mm heat pipes will also typically have the thermal compound applied to where the pipes contact both the heat plate and the block.

2. Position the heat pipe block

- Using Figure 23 as a guide, align the six mounting holes of the heat pipe block with the heat plate. (Figure 23 shows the heat pipe block installed.)

3. Secure the heat pipe block to the heat plate

- Affix the heat pipe block to the heat plate using six M2.5-0.45 x 10mm, Phillips, pan head screws.
- Using a torque screwdriver, tighten the screws to 4.0 inch-pounds.

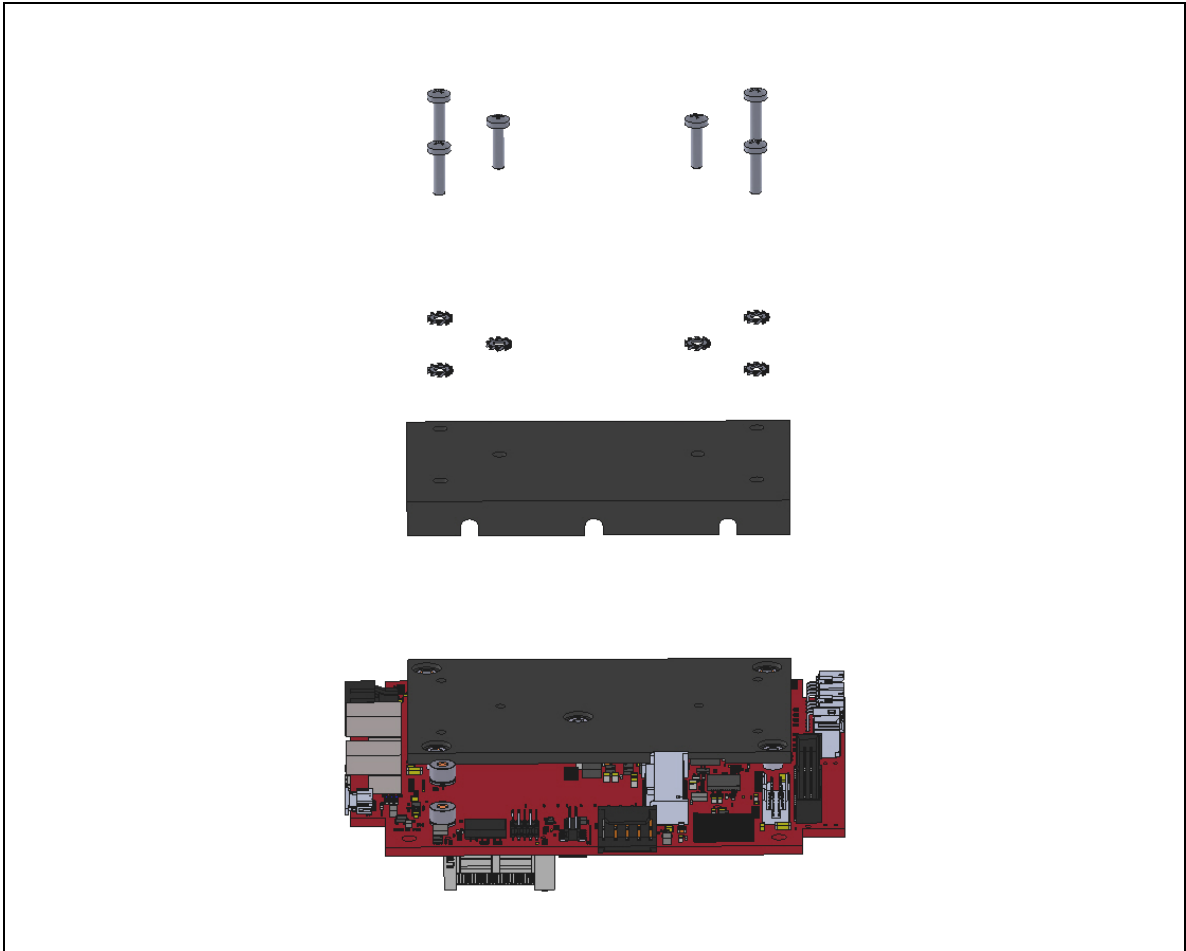



Figure 23. Installing the Heat Pipe Block

Appendix A – References



Processor

*Intel Atom E38xx (formerly “Bay Trail”)
System-on-Chip (SoC) Processor*

[Intel Atom Processor E3800 Product Family Datasheet](#) 

Ethernet Controller

Intel I210-IT Gigabit Ethernet Controller

[Intel I210-IT Datasheet](#) 

PCI/104-Express

[PCI/104-Express[†] & PCIe/104[†] Specification](#)

PC/104-Plus

[PC/104-Plus Specification](#)