

Single and Triple Output 60W Universal Input AC/DC Power Supplies

Unless stated otherwise, specifications are typical and rated at full load, nominal input voltage, convection cooling and 25°C.

INPUT

| | | |
|-----------------|-----------------------|---------------------------|
| AC Input | Auto-ranging | 90 to 132V 180 to 264V |
| Efficiency | | 85% |
| Input Frequency | | 47— 63 Hz |
| Input Current | Full load at low line | 1.5Arms, max |
| Inrush Current | High line, cold start | 75A, max |

OUTPUT

| | | |
|----------------------------|--|-------------------------------|
| Output Power | VLT60-1000 VLT60-3003 Other models | 50W max 45W max 60W max |
| Voltage Set Point | | See table |
| Hold-Up Time | 115V/230V | 6ms/10ms |
| Voltage Set Point Accuracy | V1 V2 and V3 | +3% +5% |
| Line Regulation | Low line to high line | 0.3% |
| Load Regulation | Min to 50% full load V1 V2 and V3 | +3% +5% |
| Transient Response | 50% to full load Voltage deviation Recovery Time | 10%, max <5ms |
| OVP | V1 only 5V V1 only 3.3V | 6.2V,+0.4V 3.95V,+0.25V |
| Overload Protection | Primary limited | Yes, 130% |
| Short Circuit Protection | Auto recovery <6s | Short Term |
| Ripple and Noise | V1 V2 and V3 | 65mV 1% |
| Output Rise Time | All Outputs | <100ms |

ENVIRONMENTAL

| | | |
|-----------------------|----------------|--------------|
| Operating Temperature | | 0 to 50°C |
| Storage Temperature | | -40 to 85°C |
| Cooling | | Convection |
| Relative Humidity | Non condensing | 95%, max |
| MTBF | MIL-HDBK-217F | >200,000 hrs |

EMC AND SAFETY

| | | |
|---------------------|---|--|
| CE Mark | Full compliance with the LVD | |
| EMC | EN55022-B, CISPR22-B, FCC Part 15 Class B, EN50082-1 | |
| Agency Approvals | VDE, UL, c-UL | |
| Safety Standards | IEC950, EN60950, UL1950, CSA C22.2 No. 950 Class 1 SELV | |
| Safety File numbers | VDE: 18934-3336 UL: E150565 | |



| Model Number | Output | Voltage/Current * | Voltage Set Point | Min. Load |
|--------------|--------|-------------------|-------------------|-----------|
| VLT60-1000 | V1 | 5V@10.0A | 5.2V | 0.2A |
| VLT60-1001 | V1 | 12V@5.0A | 12V | 0.1A |
| VLT60-1002 | V1 | 15V@4.0A | 15V | 0.1A |
| VLT60-1003 | V1 | 24V@2.5A | 24V | 0.05A |
| VLT60-1004 | V1 | 48V@1.25A | 48V | 0.03A |
| VLT60-3000 | V1 | 5V@8.0A | 5.2V | 0.5A |
| | V2 | 12V@3.0A | 12.5V | 0.1A |
| | V3 | -12V@0.5A | -12V | 0.0A |
| VLT60-3001 | V1 | 5V@8.0A | 5.2V | 0.5A |
| | V2 | 24V@1.5A | 23.8V | 0.1A |
| | V3 | -12V@0.5A | -12V | 0.0A |
| VLT60-3002 | V1 | 5V@6.0A | 5.2V | 0.5A |
| | V2 | 15V@2.5A | 14.6V | 0.1A |
| | V3 | -15V@0.5A | -15.5V | 0.0A |
| VLT60-3003 | V1 | 3.3V@8.0A | 3.3V | 0.5A |
| | V2 | 5V@3.0A | 5.2V | 0.1A |
| | V3 | -12V@0.5A | -16.0V | 0.0A |

*Maximum current per output channel. Do not exceed total output power rating

MECHANICAL

| | |
|------------------------|--|
| AC Input Connector J1 | Molex 3 position, 0.156 center header 26-60-4030-P or equivalent |
| Ground Connector | Spade connector |
| DC Output Connector J2 | Molex 6 position, 0.156 center header 26-60-4060-P or equivalent |
| Size | 2x4x1.08 (50.8x101.6x27.4mm) |
| Weight | 5oz (150g) |

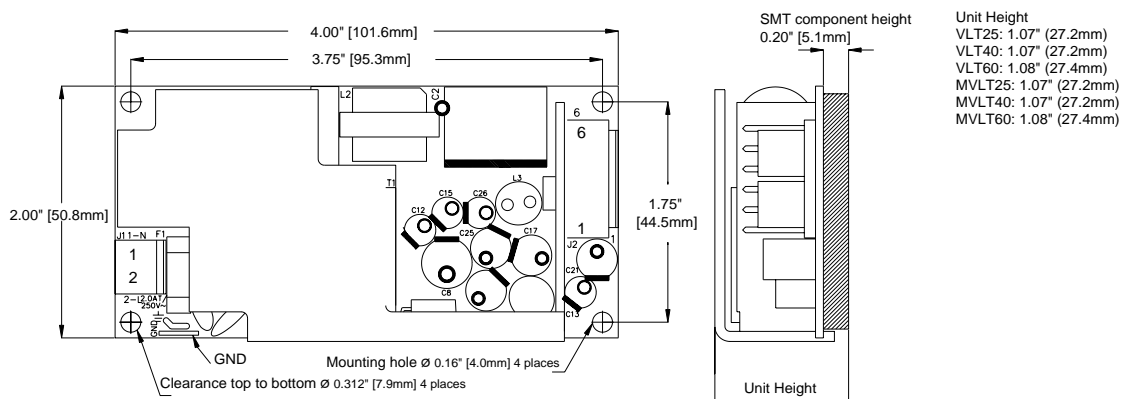
INPUT CONNECTOR J1

| | |
|------------------------------|------------|
| Pin 1 | AC Neutral |
| Pin 2 | AC Line |
| Input Spade Connector | |
| GND | AC Ground |

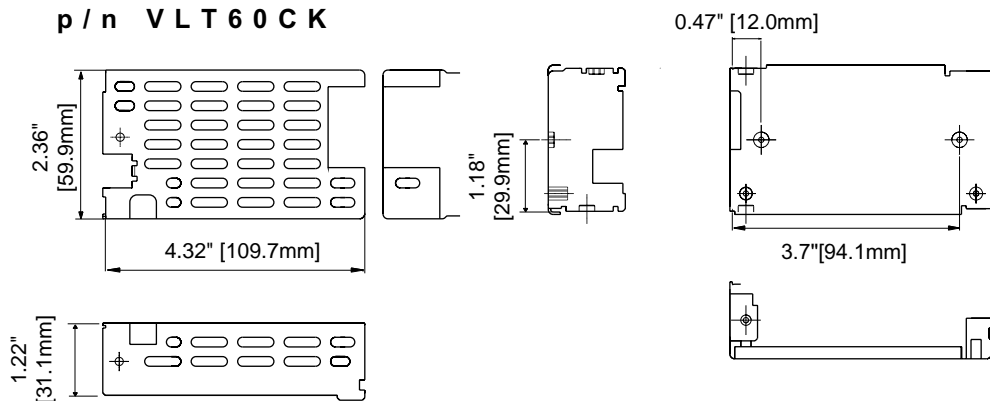
OUTPUT CONNECTOR J2

| | Single Output | Triple Output |
|-------|---------------|---------------|
| Pin 1 | V1 | V1 |
| Pin 2 | V1 | V1 |
| Pin 3 | Common | Common |
| Pin 4 | Common | Common |
| Pin 5 | NC | V3 |
| Pin 6 | NC | V2 |

Dimensions



Cover Kit p/n VLT60CK



Contents

Mounting bracket
 Cover
 Insulator
 M3 fixing screws

VLT60CK Derating Guidelines

VLT25/MVLT25: ambient >40°C, derate by 1.3W/oC to 50°C.
 5CFM fan recommended to circulate air.

VLT40/MVLT40: ambient >40°C, derate by 1.3W/oC to 50°C.
 5CFM fan recommended to circulate air.

VLT60/MVLT60: ambient >40°C, derate by 1.3W/oC to 50°C.
 5CFM fan recommended to circulate air.

