

General Description

VMR6700 is a RF power amplifier module designed for companion with V-Module's HIFI audio FM transmitter VMR6512. It amplify the RF output of VMR6512 from 6mw to 100mw. Thus the working range is expanded from 50m to more than 500m (open aera).

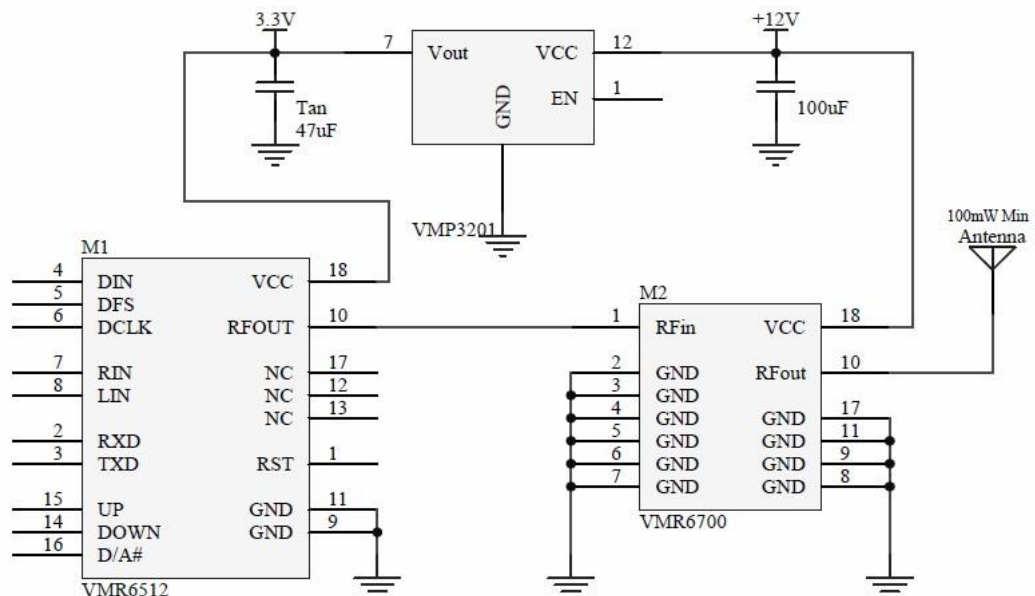
Features

- All integrated package, no external component needed
- >100mw RF power
- Optimized working in 95-105MHz
- Range up to 500m+

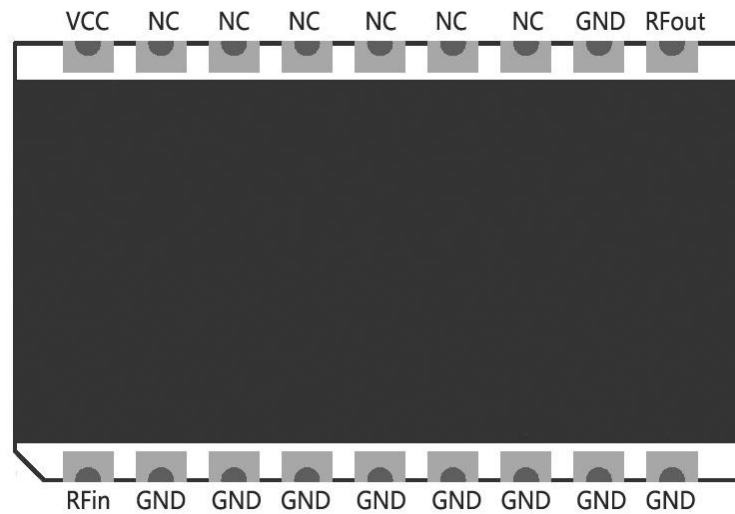
Applications

- Long range Hi-Fi wireless headphone
- Long range MP3 audio transmitter
- In-building broadcasting system
- Park broadcasting system
- Accessories for entertainment systems
- Broadcasting station in campus

Application circuit



Pin description



Pin No.	Name	Description
1	RFin	Rf signal input
2-9, 11	GND	Ground
10	RFout	RF output
18	VCC	Vcc power pin
12-17	NC	No Connection

Electrical characters

Symbol	Description	Value
Vcc	Power supply voltage	9.0-12.0V
Ic	Working current	110mA
Fr	Optimized working frequency	95.0-105.0MHz
Pmax	max RF power	>20dBm

Packaging

