



### P/N: VP-001

#### Feature



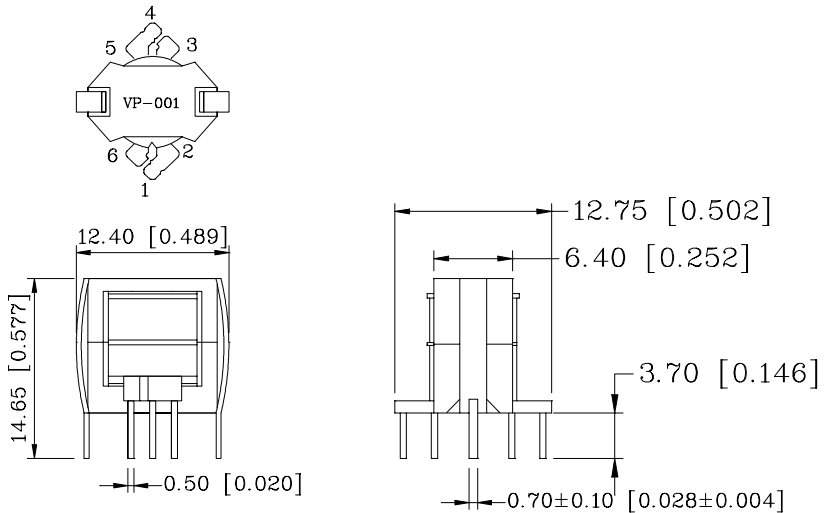
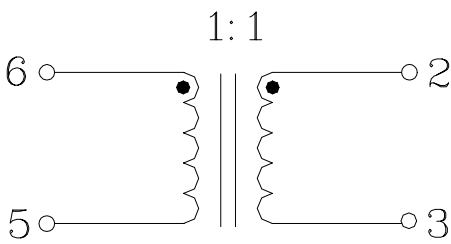
- Operating temperature range: -10°C to +60°C.
- Storage temperature range: -25°C to +75°C.

#### Electrical Specifications @ 25°C

Part Number	Turn Ratio (±5%)	DC Resistance (Ω Max)	OCL(μH±4%) @ 100KHz/0.2V		Isolation Voltage (Vrms)
	(6-5):(2-3)		(6-5),(2-3)	(6-5)	
VP-001	1:1	0.35	74		500

#### Schematic

#### Mechanical



Unit: mm [Inches] Tolerances: xx.x0±0.25 [0.010]  
0.xx±0.05 [0.002]