

**P/N: VP3019 DATA SHEET**

Page : 1/1

**Feature**

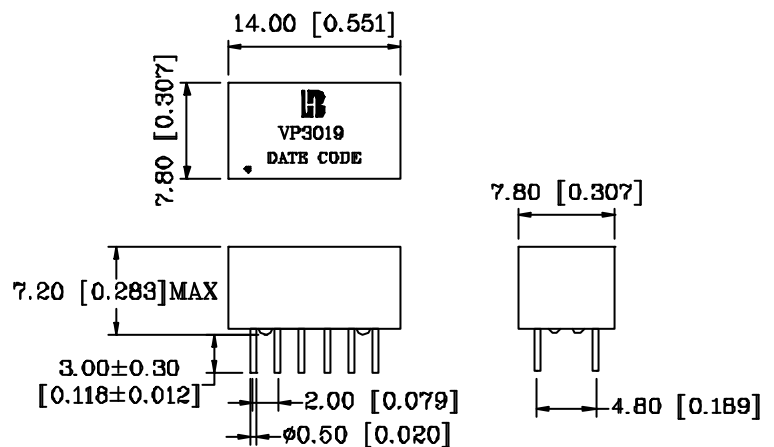
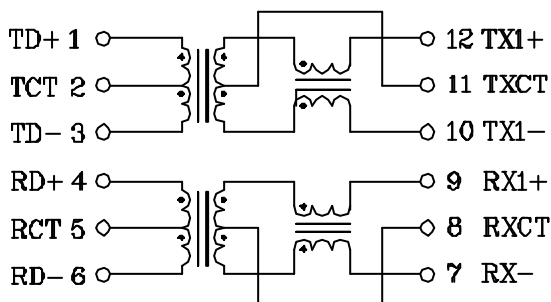
- IEEE 802.3af/ANSI X3.263 compliant performance.
- 350mA current capability.
- Designed to for IP phone or switch applications.
- 12-PIN DIP package for economic cost.
- Operating temperature range: 0 to +70 .
- Storage temperature range: -25 to +125 .

**Electrical Specifications @ 25° C**

Part Number	Turns Ratio (±3%)		OCL (uH Min) @100KHz/0.1V with 8mA DC Bias	Insertion Loss (dB Max) 1-100MHz	HI-POT (Vrms) 1500
	TX	RX			
VP3019	1CT:1CT	1CT:1CT	350	-1.2	1500

**Continue**

Part Number	Return Loss (dB Min)			Cross talk (dB Min)		DCMR (dB Min)
	1-30MHz	50MHz	60-80MHz	1-60MHz	60-100MHz	
VP3019	-15	-13	-11	-40	-35	-35

**Schematic****Mechanical**

Units: mm[Inches] Tolerances: xx.x0±0.25[0.010]  
0.xx±0.05[0.002]