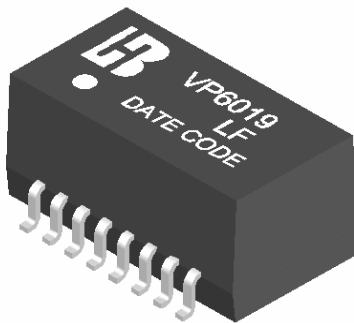


10/100 BASE-TX VOICE OVER IP MAGNETICS MODULE

P/N: VP6019 LF DATA SHEET

Feature



- IEEE 802.3at/ANSI X3.263 compliant performance.
- Suitable for End-span POE applications with 700mA current capability.
- Comply with RoHS requirements-whole part No Cd, No Hg, No Cr6+, No PBB and PBDE and No Pb on external pins.
- Operating temperature range: 0 to +70 .
- Storage temperature range: -25 to +125 .

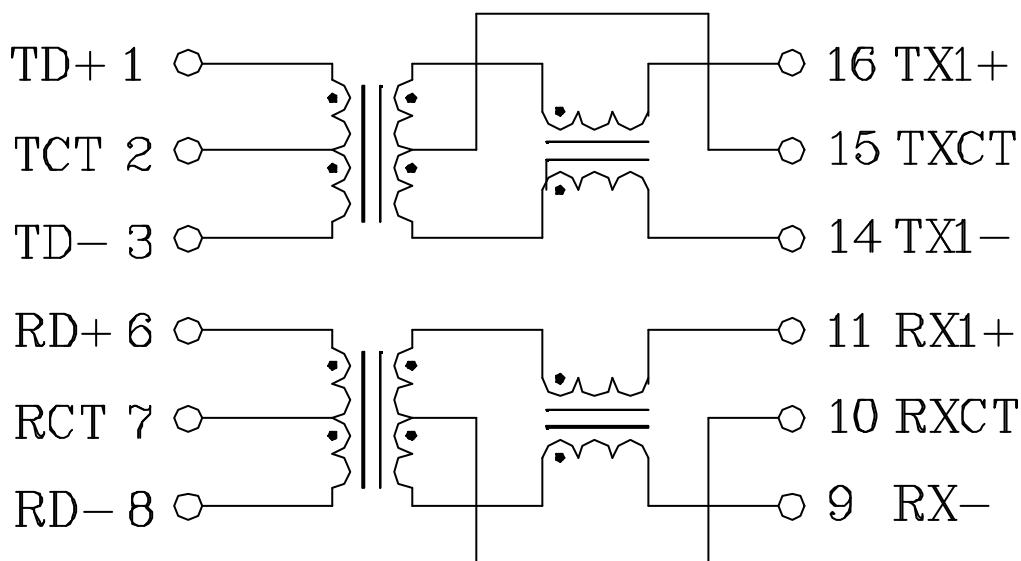
Electrical Specifications @ 25°C

Part Number	Turns Ratio (±5%) TX/RX	OCL (Min) @100KHz/0.1V with 8mA DC Bias	Cross talk (dB Min)			HI-POT (Vrms)
			30MHz	60MHz	100MHz	
VP6019 LF	1CT:1CT	350	-45	-40	-35	1500

Continue

Part Number	Insertion Loss (dB Max)	Return Loss (dB Min)@Load 100O				DCMR (dB Min)		
		1-30MHz	40MHz	50MHz	60-80MHz	30MHz	60MHz	100MHz
VP6019 LF	-1.2	-16	-14	-13	-12	-43	-37	-33

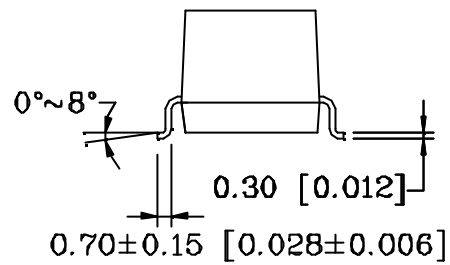
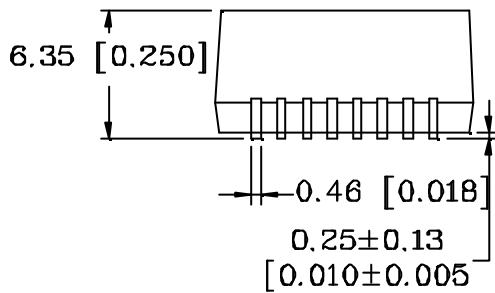
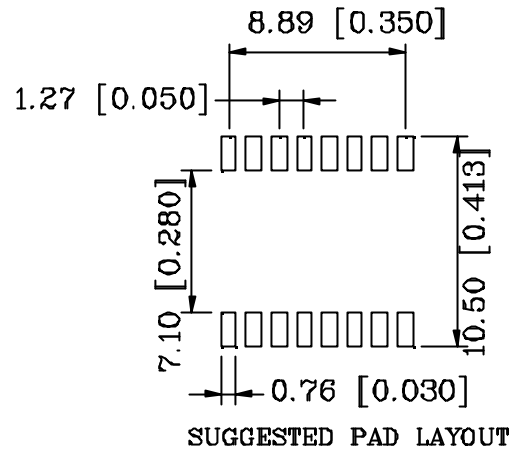
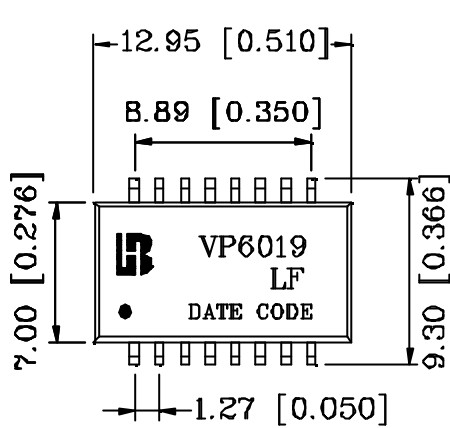
Schematic



10/100 BASE-TX VOICE OVER IP MAGNETICS MODULE

P/N: VP6019 LF DATA SHEET

Mechanical



Units: mm [Inches] Tolerances: xx.x0 \pm 0.25 [0.010]
0.xx \pm 0.05 [0.002]