

Ultrafast Rectifier
VS-60APU04PBF
FEATURES

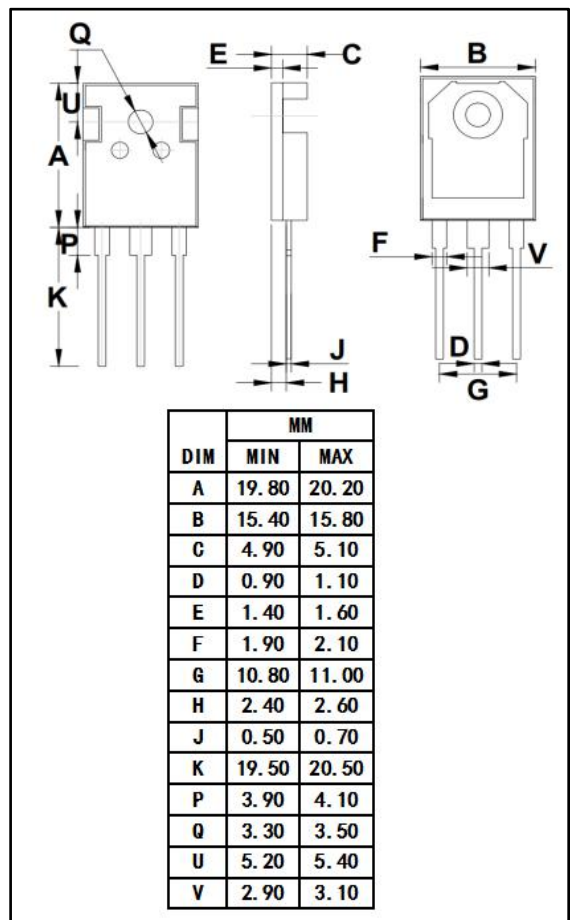
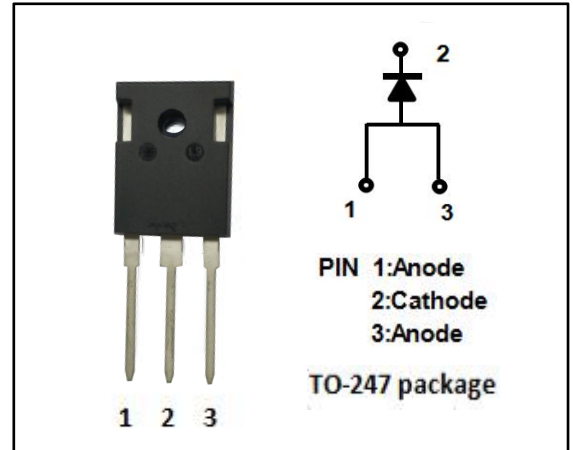
- Ultrafast with soft recovery
- Low forward voltage drop
- 175°C operating junction temperature
- Minimum Lot-to-Lot variations for robust device performance and reliable operation

APPLICATIONS

- Switching power supply
- Power switching circuits
- Higher frequency operation

ABSOLUTE MAXIMUM RATINGS(T_a=25°C)

SYMBOL	PARAMETER	VALUE	UNIT
V _{RRM} V _{RWM} V _R	Peak Repetitive Reverse Voltage Working Peak Reverse Voltage DC Blocking Voltage	400	V
I _{F(AV)}	Average Rectified Forward Current	60	A
I _{FSM}	Nonrepetitive Peak Surge Current (Surge applied at rated load conditions half-wave, single phase, 60Hz)	600	A
P _D	Maximum power dissipation	215	W
T _J	Junction Temperature	-55~175	°C
T _{stg}	Storage Temperature Range	-55~175	°C



Ultrafast Rectifier
VS-60APU04PBF
THERMAL CHARACTERISTICS

SYMBOL	PARAMETER	MAX	UNIT
$R_{th\ j-c}$	Thermal Resistance, Junction to Case	0.70	°C/W

ELECTRICAL CHARACTERISTICS ($T_a=25^{\circ}\text{C}$) (Pulse Test: Pulse Width=300 μ s, Duty Cycle \leq 2%)

SYMBOL	PARAMETER	CONDITIONS	MAX	UNIT
V_{F^*}	Maximum Instantaneous Forward Voltage	$I_F=60\text{A}; T_j=25^{\circ}\text{C}$	1.25	V
I_R	Maximum Instantaneous Reverse Current	$V_R= V_{RWM};$ $V_R= V_{RWM}; T_j=150^{\circ}\text{C}$	$\frac{0.05}{2}$	mA
t_{rr}	Maximum Reverse Recovery Time	$I_F = 1\text{A}; di/dt = 200\text{A}/\mu\text{s}$	60	ns

*:Pulse test ,Pulse width=300us,duty cycle \leq 2%

NOTICE:

ISC reserves the rights to make changes of the content herein the datasheet at any time without notification. The information contained herein is presented only as a guide for the applications of our products.

ISC products are intended for usage in general electronic equipment. The products are not designed for use in equipment which require specialized quality and/or reliability, or in equipment which could have applications in hazardous environments, aerospace industry, or medical field. Please contact us if you intend our products to be used in these special applications.

ISC makes no warranty or guarantee regarding the suitability of its products for any particular purpose, nor does ISC assume any liability arising from the application or use of any products, and specifically disclaims any and all liability, including without limitation special, consequential or incidental damages.