

VS1063a Programmer's Guide MP3/OGG/AAC/WMA/FLAC/ G.711/G.722 AUDIO CODEC CIRCUIT

Key Features

- Encoders:
MP3; Ogg Vorbis; PCM; IMA ADPCM;
G.711 (μ -law, A-law); G.722 ADPCM
- Decoders:
MP3 (MPEG 1 & 2 audio layer III (CBR +VBR +ABR));
MP2 (layer II) (optional);
MPEG4/2 AAC-LC(+PNS),
HE-AAC v2 (Level 3) (SBR + PS);
Ogg Vorbis; FLAC;
WMA 4.0/4.1/7/8/9 all profiles (5-384 kbps);
WAV (PCM, IMA ADPCM, G.711 μ -law/A-law, G.722 ADPCM)
- Full Duplex Codecs:
PCM; G.711 (μ -law, A-law); G.722 ADPCM
- Streaming support
- Upto 96 KiB RAM for user code and data
- Unique ID for user code protection
- Quiet power-on and power-off
- I2S interface for external DAC
- Serial control and data interfaces
- Can be used either as a slave co-processor or as a standalone processor
- UART for debugging purposes
- New functions may be added with software and upto 12 GPIO pins

Description

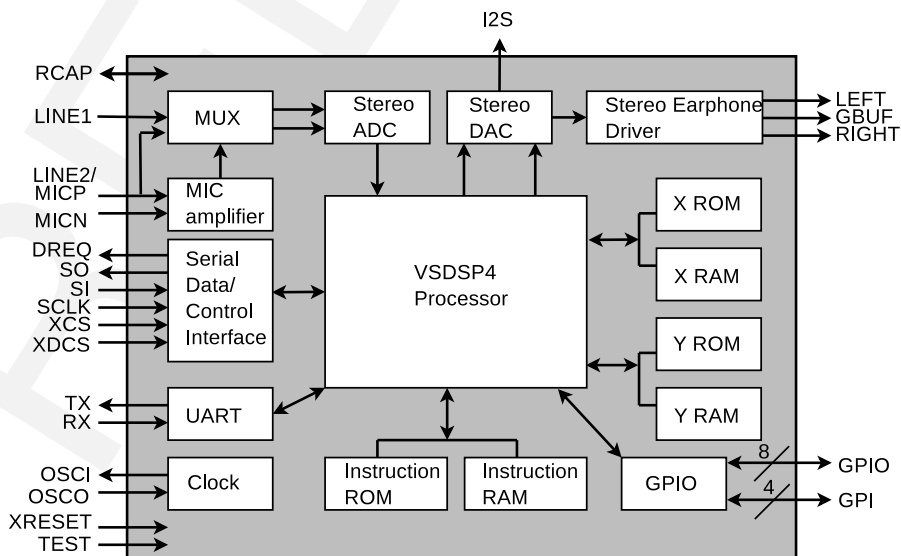
VS1063a is an easy-to-use, versatile encoder, decoder and codec for a multitude of audio formats.

VS1063a contains a high-performance, proprietary low-power DSP core VS_DSP⁴, ROM memories, 16 KiB instruction RAM and upto 80 KiB data RAM for user applications running simultaneously with any built-in decoder, serial control and input data interfaces, upto 12 general purpose I/O pins, a UART, as well as a high-quality variable-sample-rate stereo DAC and a stereo ADC, followed by an ear-phone amplifier and a common voltage buffer.

VS1063a can act both as an "MP3 decoder IC" or "MP3 encoder IC" slave in a system with a microcontroller, or as a stand-alone circuit that boots from external SPI memory.

Applications

- MP3-recording audio player
- Streaming server and client
- Wireless audio transfer
- Standalone player and recorder
- Internet phones



Additional Features

- EarSpeaker Spatial Processing
- Bass & treble controls
- Alternatively a 5-channel equalizer
- AD Mixer allows monitoring A/D converter input while listening to stream
- PCM Mixer allows inserting a sidestream while listening to main stream
- Adjustable Speed Shifter
- Operates with a single 12..13 MHz or 24..26 MHz clock
- Internal PLL clock multiplier
- Low-power operation
- High-quality on-chip stereo DAC with no phase error between channels
- Zero-cross detection for smooth volume change
- Stereo earphone driver capable of driving a 30 Ω load
- Separate voltages for analog, digital, I/O
- Lead-free RoHS-compliant package

Further Description

VS1063a is a pin-compatible alternative for VLSI Solution's VS1053. It has all the functionality of VS1053 (except MP1 and MIDI decoding) and many new features, particularly MP3 and Ogg Vorbis recording.

Also full-duplex codec functions for phone applications have been added to VS1063a.

A factory-programmable unique chip ID provides a basis for digital rights management or unit identification features.

Operating Modes

VS1063a operates in one of two host modes: as a slave co-processor or as a standalone processor.

When used as a slave co-processor VS1063a can operate in three different operation modes: *decoder*, *encoder* or *codec* mode. In *decoder mode* VS1063a receives its input bitstream through a serial input bus. The input stream is decoded and passed through an 18-bit digital volume control to an oversampling sigma-delta DAC. Decoding is controlled via a serial control bus. In addition to the basic decoding, it is possible to add application specific features, like DSP effects, to the user RAM memory, or even to load user applications. In *encoder mode* VS1063a can read audio from its analog inputs, optionally compresses the data, which can then be read by the host processor. In *codec mode* VS1063a offers a full-duplex audio interface.

When used as a standalone processor the VS1063a can boot either from SPI EEPROM or FLASH memory. Alternatively code and data can be provided by a host controller.

User Code

Users can write their own user interface or signal processing code for the VS1063a using VSIDE (VLSI Solution's Integrated Development Environment).

As a default, there are 16 KiB of free code RAM and about 4 KiB of free data RAM for user applications. Depending on the application, the data RAM can be expanded to the full 80 KiB that is available in VS1063a.

Contents

VS1063	1
Table of Contents	3
List of Figures	4
1 Introduction	5
2 Disclaimer	5
3 Definitions	6
4 Interfacing with VS1063a Using a Microcontroller	7
4.1 The SCI (SPI) Bus	7
4.1.1 Example SCI Read / Write Implementation	8
4.1.2 SCI Bus Access Example	9
4.2 The SDI (SPI) Bus	9
5 Writing Plugins	10
5.1 Plugin Memory Maps	10
5.1.1 Plugin Instruction Memory Map (32-bit words)	10
5.1.2 Plugin X Data Memory Map (16-bit words)	10
5.1.3 Plugin Y Data Memory Map (16-bit words)	11
5.2 Implementing a Plugin to the Decoder Audio Path	11
5.2.1 Loading and Activating the Plugin	12
5.2.2 Audio Path Plugin Call Conventions	12
5.2.3 Simple Example Audio Path Plugin	13
5.2.4 Disabling the Audio Path Plugin	14
5.2.5 VSIDE and Audio Path Plugins	14
5.3 Idle Hook Plugin	15
5.4 Interrupt-Driven Plugin	15
6 Writing User Applications that Take Full Control over VS1063a	16
6.1 Application Memory Maps	16
6.1.1 Application Instruction Memory Map (32-bit words)	16
6.1.2 Application X Data Memory Map (16-bit words)	16
6.1.3 Application Y Data Memory Map (16-bit words)	17
6.2 Taking Control of VS1063a	17
6.2.1 Taking Control of Interrupts	18
6.3 VSIDE and Applications	18
7 Audio Format Specific Comments	19
7.1 Encoders	19
7.1.1 VLSI Solution's Ogg Vorbis Encoder VSOVE v2.00	19
7.1.2 VLSI Solution's MP3 Encoder VSMPE v1.00	19
7.2 Decoders	20
7.2.1 MP3 Decoder	20
8 VS1063a Load File Formats	21
8.1 VS1063a Plugin Format	21

8.1.1	The .PLG Format and VSIDE	21
8.1.2	Example VS1063a Microcontroller Plugin Decoder	22
8.2	VS1063a Image Format	23
8.2.1	The .IMG Format and VSIDE	23
8.2.2	Example VS1063a Microcontroller Boot Image Decoder	24
9	Latest Document Version Changes	25
10	Contact Information	26

List of Figures

1	Decoder data flow of VS1063a with the user plugin stage highlighted	11
---	---	----

1 Introduction

This is the VS1063a Programmer's Guide. Its intent is to provide the reader with a sufficient amount of information to write programs for VS1063a.

Programs can be written either as plugins which function in cooperation with VS1063a's existing decoder framework as shown in Chapter 5, or as applications that take over the whole system as shown in Chapter 6.

Finally, some audio format specific comments are presented in Chapter 7.

Future versions of this document will also discuss ROM functions and VS1063a startup.

2 Disclaimer

The VS10xx Programmer's Guide represents VLSI Solution's best attempt at giving a VS1063a programmer as much information as possible to help creating their own plugins and applications. Nevertheless, this guide is still highly *preliminary* and very much in a state of flux. It will be made more comprehensive and accurate over time.

VLSI Solution is not responsible for any errors, omissions, or misleading statements in this document.

This guide is the third part of a three-part entity, consisting of *VS1063a Datasheet*, *VS1063a Hardware Guide*, and *VS1063a Programmer's Guide*. To avoid repetition, it is assumed that the reader of this guide has already familiarized himself with the other two documents.

3 Definitions

Application Standalone application that takes over the normal functionality of VS1063a. See Chapter 6 for details.

ABR Average BitRate. Bitrate of stream may vary locally, but will stay close to a given number when averaged over a longer time.

B Byte, 8 bits.

b Bit.

CBR Constant BitRate. Bitrate of stream will be the same for each compression block.

Ki "Kibi" = $2^{10} = 1024$ (IEC 60027-2).

Mi "Mebi" = $2^{20} = 1048576$ (IEC 60027-2).

Plugin A piece of software that works in tandem with the VS1063a operating system. See Chapter 5 for details.

SCI Serial Control Interface, an SPI bus for VS1063a control.

SDI Serial Data Interface, an SPI bus for VS1063a bitstream data.

VBR Variable BitRate. Bitrate will vary depending on how difficult the source material is to encode.

VS_DSP VLSI Solution's DSP core.

VSIDE VLSI Solution's Integrated Development Environment.

W Word. In VS_DSP, instruction words are 32-bit and data words are 16-bit wide.

4 Interfacing with VS1063a Using a Microcontroller

This chapter explains how to interface with the VS1063a using SCI and SDI buses, which both are special cases of the SPI bus. This document will show how to access the buses using microcontroller software written in C language. For details on bus signals, see the VS1063a Datasheet Chapter “SPI Buses”.

To be able to do SCI and SDI operations, let's first define a basic one-byte SPI transfer:

```
#define CONFIGURE_AS_OUTPUT(p){/* Do what's needed*/}
#define CONFIGURE_AS_INPUT(p){/* Do what's needed*/}
#define OUT_SET_HIGH(p){p = 1;}
#define OUT_SET_LOW(p){p = 0;}
#define IN_IS_HIGH(p)(p)

// Software SPI port: Shift 8 bits in and out using a software SPI port
unsigned char SpiTransfer(unsigned char outdata) {
    unsigned char b=0;
    unsigned char indata=0;
    for (b=0; b<8; b++) {
        if (outdata & 0x80) { // Leftmost bit first
            OUT_SET_HIGH(PIN_MOSI);
        } else {
            OUT_SET_LOW(PIN_MOSI);
        }
        outdata <<= 1; // Shift outdata bits left
        OUT_SET_HIGH(PIN_SCK); // Clock high
        indata <<= 1; // Shift indata bits left
        if (IN_IS_HIGH(PIN_MISO)) {
            indata |= 1; // Set rightmost bit high
        }
        OUT_SET_LOW(PIN_SCK); // Clock low
    }
    return indata; // Return the result byte to caller
}
```

4.1 The SCI (SPI) Bus

The SCI (SPI) bus is a control and command bus. Every operation consists of four bytes: instruction, address, and two data bytes. Instruction and address bytes are always offered by the microcontroller. If instruction is WriteCommand (2), then also data bytes come from the microcontroller. If instruction is ReadCommand (3), then data bytes come from VS1063a.

4.1.1 Example SCI Read / Write Implementation

Using the SpiTransfer() function, here is how to implement register write and read functions:

```
// VS10XX Operations //
#define VS_WRITE_COMMAND 0x02 /** VS10xx SCI Write Command byte is 0x02 */
#define VS_READ_COMMAND 0x03 /** VS10xx SCI Read Command byte is 0x03 */

/** Put the VS player chip in reset */
#define VsPutInReset(){OUT_SET_LOW(VS_XRESET);}
/** Release the VS player chip from reset */
#define VsReleaseFromReset(){OUT_SET_HIGH(VS_XRESET);}

/** Pull the VS10xx Data Chip Select line Low */
#define VsSelectData(){OUT_SET_LOW(VS_XDCS);}
/** Pull the VS10xx Data Chip Select line High */
#define VsDeselectData(){OUT_SET_HIGH(VS_XDCS);}

void VsWriteRegister(unsigned char reg, unsigned int val){
    OUT_SET_LOW(PIN_XCS); // Control Chip Select Low
    SpiTransfer(VS_WRITE_COMMAND); // WRITE command
    SpiTransfer(reg); // Register number
    SpiTransfer((unsigned char)(val >> 8)); // High Byte
    SpiTransfer((unsigned char)(val & 0xff)); // Low Byte
    OUT_SET_HIGH(PIN_XCS); // Control Chip Select High
}

unsigned int VsReadRegister(unsigned char reg){
    unsigned char inHigh;
    unsigned char inLow;
    OUT_SET_LOW(PIN_XCS); // Control Chip Select Low
    SpiTransfer(VS_READ_COMMAND); // READ command
    SpiTransfer(reg); // Register number
    inHigh = SpiTransfer(0xff); // High Byte
    inLow = SpiTransfer(0xff); // Low Byte
    OUT_SET_HIGH(PIN_XCS); // Control Chip Select High
    return (unsigned short)(inHigh << 8) + inLow;
}
```


4.1.2 SCI Bus Access Example

Now that the needed support functions have been presented, below is a very simple program that reads register SCI_STATUS, then sets SCI_VOL to 0x0a0a.

```
#define SCI_STATUS 0x1 // Definitions from VS10xx Datasheet
#define SCI_VOL    0xB // Chapter "SCI Registers"

void main(void) {
    unsigned short st;
    // Initialize SPI pins for VS10XX communication
    CONFIGURE_AS_INPUT(PIN_MISO);
    CONFIGURE_AS_OUTPUT(PIN_MOSI);
    CONFIGURE_AS_OUTPUT(PIN_SCK);
    CONFIGURE_AS_OUTPUT(PIN_XCS);
    OUT_SET_LOW(PIN_SCK);
    OUT_SET_HIGH(PIN_XCS);
    st = VsReadRegister(SCI_STATUS);
    VsWriteRegister(SCI_VOL, 0x0a0a);
}
```

4.2 The SDI (SPI) Bus

Like SCI, also SDI is an SPI bus. However, SDI is meant for simple, unstructured bitstream transfer for e.g. MP3 files.

Below is a pseudocode example of how to send 32 bytes of data to SDI:

```
// VsSendSDI sends 32 bytes of data to VS10xx
void VsSendSDI(const unsigned char *d) {
    int i;
    while (!IN_IS_HIGH(PIN_DREQ)) { // Cannot send data if DREQ is low
        WaitFor10MSec();
    }
    for (i=0; i<32; i++) {
        SpiTransfer(*d++); // Transmit byte
    }
}
```

5 Writing Plugins

In the context of VS1063a, a plugin is a piece of software that coexists with the audio decoder framework of VS1063a.

Plugins may modify decoded audio data or inject new data into the audio path, use free CPU time. They may have limited control over some interrupts.

Plugins have to take into account that the operating system is running: they cannot use any memory areas allocated by the system and they should use as little processing power as possible.

VS1063a doesn't have hardware resource allocation routines in its operating system, so if the user wants to access VS1063a hardware, he has to make sure to use only such parts of it that are not already used by the system. An example of this are interrupts: some are used by the operating system, and some are free to use.

5.1 Plugin Memory Maps

This chapter presents free memory maps for plugins. All units are in words.

5.1.1 Plugin Instruction Memory Map (32-bit words)

Free instruction memory for plugins		
Start Addr	Length	Description
0x50	0x3B0	Full I memory except jump vectors

5.1.2 Plugin X Data Memory Map (16-bit words)

Free X data memory for plugins		
Start Addr	Length	Description
0x1800	0x80	User area
0x1C80	0x180	Extra area 1
0x1E40	0x1C0	Extra area 2

5.1.3 Plugin Y Data Memory Map (16-bit words)

Free Y data memory for plugins		
Start Addr	Length	Description
0x1800	0x80	User area
0xFA14	0x3EC	Extra area

5.2 Implementing a Plugin to the Decoder Audio Path

A useful case of cooperative programs is plugin user applications.

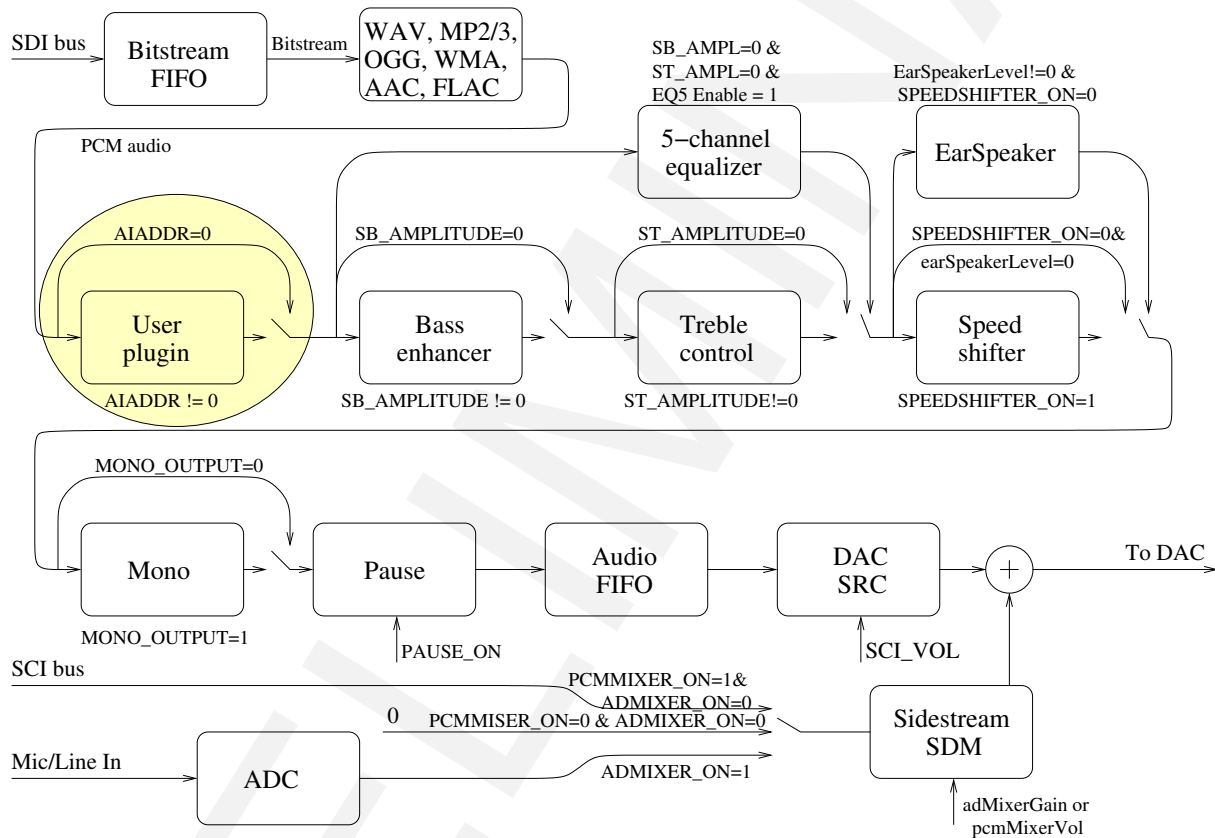


Figure 1: Decoder data flow of VS1063a with the user plugin stage highlighted

User plugins may insert themselves in the decoding signal path, as shown in Figure 1. (For annotations for other blocks in this figure, see the VS1063a Datasheet.)

Plugins also get information on whenever SCI_AICTRL0 through SCI_AICTRL3 have been accessed (either read from or written to), or whenever the samplerate changes.

5.2.1 Loading and Activating the Plugin

Loading a plugin is initiated by writing a base address to register SCI_WRAMADDR. The program and its data is then loaded by writing data to register SCI_WRAM.

The plugin is activated by writing its start address to register SCI_AIADDR. Whenever a power-down, hardware reset or software reset has happened, the plugin needs to be reloaded and restarted. The reason for this is that whenever VS1063a is reset, it will clear all its data areas so the plugin will not be intact anymore.

Note: SCI_AIADDR will not be cleared when a software reset has been performed, but you still need to reload and reactivate the plugin.

5.2.2 Audio Path Plugin Call Conventions

The C prototype for the user plugin is as follows:

```
s_int16 Plugin(register s_int16 __i0 **data, register u_int16 __a1 mode, register u_int16 __a0 n);
```

Legal values for `mode` are described in the following table. The user may choose how many of the different cases are handled. All unhandled values for `mode` should return `n`.

Symbol	Value	Description
APPL_RESET	0	Reset all values, n is samplerate
APPL_AUDIO	1	Audio samples offered, n is number of L/R sample pairs
APPL_W0	2	SCI_AICTRL0 has been written to, n is register value
APPL_W1	3	SCI_AICTRL1 has been written to, n is register value
APPL_W2	4	SCI_AICTRL2 has been written to, n is register value
APPL_W3	5	SCI_AICTRL3 has been written to, n is register value
APPL_R0	6	SCI_AICTRL0 has been read from, n is register value
APPL_R1	7	SCI_AICTRL1 has been read from, n is register value
APPL_R2	8	SCI_AICTRL2 has been read from, n is register value
APPL_R3	9	SCI_AICTRL3 has been read from, n is register value
APPL_BITSTREAM	10	Obsolete, ignore
APPL_OUT_OF_DATA	11	Stream input buffer has starved

Note: It is guaranteed that the first call to the user plugin is always with `mode = APPL_RESET`.

Note: When `mode = APPL_RESET`, the user function should return its output samplerate if it is different from the input samplerate. Otherwise, the user function may return 0.

Note: When returning from `APPL_AUDIO`, the user function should return the number of samples it created in the function. If the number of samples did not change, returning 0 is also

acceptable. If the number of samples did grow, samples must be written to some other location than what is pointed to by `**d`. This new pointer must be returned in `*d`.

Note: If `mode == APPL_OUT_OF_DATA`, then `n` is 0 if there still are still at least 64 stereo samples in the audio output buffer. Otherwise it is 1. If the function returns non-zero, then 32 empty stereo samples will be inserted into the output audio stream. So, in a typical case it is convenient to just return `n`.

Input data is always interleaved stereo, left channel first.

Volume control is placed after any user plugins. Thus it is generally a better idea to only write filters that attenuate some frequencies and don't emphasize any. To compensate for the lower volume, main volume setting may be turned higher.

5.2.3 Simple Example Audio Path Plugin

This very simple plugin attenuates its input signal by a given number of decibels. The user can give the number of decibels for the left channel in `SCI_AICTRL0` and right channel in `SCI_AICTRL1`.

```

auto u_int16 DbToLin(register u_int16 dB);

s_int16 MyPlugin(register s_int16 __i0 **data,
                register u_int16 __a1 mode, register u_int16 __a0 n) {
    static u_int16 multL, multR;    // Multipliers, 32768 equals 1.0

    switch (mode) {

    case APPL_RESET:                // *** Reset/initialize; REQUIRED!
        multL = DbToLin(PERIP(SCI_AICTRL0)); // Convert decibel to linear, left
        multR = DbToLin(PERIP(SCI_AICTRL1)); // Convert decibel to linear, right
        return 0;                    // Do not change samplerate
        break;                       // break not required, written for clarity

    case APPL_AUDIO:                // *** Actual audio data; REQUIRED!
        {
            int i;
            s_int16 *d = *data;
            for (i=0; i<n; i++) {
                *d = ((s_int32)(*d) * multL) >> 15; // Apply volume to left channel
                d++;
                *d = ((s_int32)(*d) * multR) >> 15; // Apply volume to right channel
                d++;
            } /* for (i=0; i<n; i++) */
        }
        break;
    }
}

```

```

case APPL_W0:                // *** SCI_AICTRL0 has been written to
    multL = DbToLin(n);      // Convert decibel scale to linear, left
    break;

case APPL_W1:                // *** SCI_AICTRL1 has been written to
    multR = DbToLin(n);      // Convert decibel scale to linear, right
    break;

} /* switch(mode) */

return n;                    // Default message answer is n
} /* MyPlugin() */

const u_int16 dBTab[6] = {
    32768, 29193, 26008, 23170, 20643, 18390
};

auto u_int16 DbToLin(register u_int16 dB) {
    if (dB >= 90)
        return 0;
    return dBTab[dB % 6] >> (dB/6);
}

```

5.2.4 Disabling the Audio Path Plugin

The plugin can be disabled by writing 0 to SCI_AIADDR through SCI.

The plugin can also turn itself off. However, in this case writing to SCI_AIADDR is not sufficient. The application needs to write NULL to the pointer variable applAddr (ASM convention: `_applAddr`). The type for applAddr is shown below:

```
extern s_int16 (*applAddr)(s_int16 register __i0 **d, s_int16 register __a1 mode,
s_int16 register __a0 n);
```

5.2.5 VSIDE and Audio Path Plugins

VSIDE will get a VS1063a audio path plugin example in Q3/2011.

5.3 Idle Hook Plugin

Whenever VS1063a has spare time, it will first jump to an idle hook, then halt until the next interrupt is received. The idle hook pointer is located at instruction address 0. Normally the idle hook pointer contains a jump command to a dummy hook which does nothing. Address 1 contains a “nop” instruction (needed by VS_DSP because it almost always executes the next instruction after a control transfer instruction).

To take control of the idle hook, first create a function with the following prototype:

```
void MyIdleHook(void);
```

Then, write the assembler command “J _MyIdleHook” to instruction address 0. This is done with the formula $i = 0x28000000 + a \times 0x40$, where a is the address of MyIdleHook() and i is the resulting instruction codeword.

Example: MyIdleHook() has been compiled to address 0x50.

Load that plugin into RAM memory of VS1063a.

Then modify the idle hook: In this case $d = 0x28000000 + 0x50 \times 0x40 = 0x28001400$.

Now you can write 0x8000 to register SCI_WRAMADDR to set instruction address 0.

After that write first 0x1400, then 0x2800 to register SCI_WRAM. For more information on how to use registers SCI_WRAM and SCI_WRAMADDR, see the VS1063a Datasheet.

Alternatively, if changing the vector using VS_DSP code, use the WriteMem() function (or, if using assembler, STI).

5.4 Interrupt-Driven Plugin

A plugin can take control of one or more of the system interrupts. However, it needs to take care that it either replaces the existing interrupt with a version that does essentially the same things required by the system, or that it finishes by jumping to the original interrupt.

Although more often useful when taking control over the whole system, cooperative plugins may also sometimes take control of one or more interrupts. To see how to do that, and to see which interrupts are not used by the operating system, see Chapter 6.2.1.

6 Writing User Applications that Take Full Control over VS1063a

Full control user applications are programs that take over the system, then build their required signal paths either from scratch, or partly using the ROM routines offered by the VS1063a ROM firmware.

VS1063a contains such versatile hardware features that it is not possible to exhaustively go through all the ways that the IC can be used (and misused). Nevertheless, this chapter will discuss one way of how to take control over the whole chip.

When the user takes full control of the VS1063a he may use most of the memory areas and hardware. For details of the accessible hardware, read the *VS1063a Hardware Guide*.

6.1 Application Memory Maps

This chapter presents free memory maps for application programs. All units are in words.

6.1.1 Application Instruction Memory Map (32-bit words)

Free instruction memory for applications		
Start Addr	Length	Description
0x50	0x3B0	Full I memory except jump vectors.

6.1.2 Application X Data Memory Map (16-bit words)

Free X data memory for applications		
Start Addr	Length	Description
0x400	0x1400	_xTemp
0x1800	0x80	User area
0x1C80	0x180	Extra area 1
0x1E40	0x1C0	Extra area 2
0x2080	0x1F80	Extra area 3

6.1.3 Application Y Data Memory Map (16-bit words)

Free Y data memory for applications		
Start Addr	Length	Description
0x1000	0x800	_g_dcthi
0x1800	0x80	User area
0x1C00	0x2400	_mallocAreaY
0xE000	0xA64	_earSpeaker ¹
0xE000	0xA40	_speedShift ¹
0xEA64	0xFB0	_heAac
0xFA14	0x3EC	Extra area
0xFE00	0x200	_pcmFifo

¹ These two effects use the same memory area. To be able to use this area, neither EarSpeaker nor SpeedShift should be used.

6.2 Taking Control of VS1063a

There are many ways how to take control of VS1063a. Perhaps the most straightforward way is to take the User Application approach, as explained in Chapter 5.2.

However, instead of a program that would act as a filter and return, the application would typically start by disabling all interrupts, then running initializations including changing required interrupt vectors if any, then activating those interrupts needed by the application.

Note: when the user application is called for the first time (and this is the time when we are taking control of the whole system), and interrupt level is 1 or 2. Because of this, if you want to use interrupts, you must not only set correct interrupt vectors and activate your own interrupts using INT_ENABLE, but you also must write twice to register INT_GLOB_ENA (what value you write doesn't matter). For details of interrupt control registers, see the VS1063a Hardware Guide.

6.2.1 Taking Control of Interrupts

To take control of interrupts, the user first needs to write interrupt handlers. This cannot be directly done in the C language: stack store and restore operations as well as interrupt reactivation will need to be done in Assembly language.

After an interrupt routine has been written, the corresponding interrupt vector needs to be rerouted to the user's own routine. Interrupt vectors are stored in instruction RAM memory starting from address 0x20, as shown in the following table:

Interrupt vectors				
Name	Address	Used	Default	Description
VEC_DAC	0x20	Yes	jmp <code>int,(i6)+1</code>	DAC
VEC_SCI	0x21	Yes	jmp <code>sci_int,(i6)+1</code>	SCI
VEC_SDI	0x22	Yes	jmp <code>sdi_int,(i6)+1</code>	SDI
VEC_ADC	0x23	Y/N ¹	jmp <code>modu_int,(i6)+1</code>	ADC
VEC_TX	0x24	No	jmp <code>_empty_int,(i6)+1</code>	UART TX
VEC_RX	0x25	Yes	jmp <code>rx_int,(i6)+1</code>	UART RX
VEC_TIM0	0x26	No	jmp <code>_empty_int,(i6)+1</code>	Timer 0
VEC_TIM1	0x27	No	jmp <code>_empty_int,(i6)+1</code>	Timer 1
VEC_SRC	0x28	Y/N ²	jmp <code>src_int,(i6)+1</code>	SampleRate Converter
VEC_SDM	0x29	Y/N ³	jmp <code>sdm_int,(i6)+1</code>	Sigma Delta Modulator

¹ Active in codec and encoding mode.

² Active in encoding mode.

³ Active if PCM Mixer or AD Mixer is used.

To replace an interrupt vector, calculate $i = 0x2A00000E + a \times 0x40$, where a is the address of your own interrupt handler and i is the resulting instruction codeword.

Note: "JMPI" is the only instruction on VS_DSP that doesn't have delay slot code execution. Because of this it is also the only VS_DSP instruction that takes two clock cycles to execute instead of one.

Example: How to take control over the DAC interrupt. First disable the DAC interrupt by clearing bit 0 of register INT_ENABLE. Do your other initializations. Then calculate your interrupt vector. E.g. if your own interrupt is at instruction address 0x50, then $i = 0x2A00000E + 0x50 \times 0x40 = 0x2A00140E$. Write this value to instruction address 0x20. Then reactivate the interrupt by setting bit 0 of INT_ENABLE. (Note that disabling and re-enabling the interrupt isn't necessarily needed if you don't care that the old interrupt may occur during your initializations.)

6.3 VSIDE and Applications

VSIDE will get a VS1063a full control application example in Q3/2011.

7 Audio Format Specific Comments

7.1 Encoders

7.1.1 VLSI Solution's Ogg Vorbis Encoder VSOVE v2.00

VLSI Solution's Ogg Vorbis Encoder VSOVE v2.00 is a continuation of the proprietary VS1053b Ogg Vorbis encoder originally published in 2007.

The encoder uses short and long frames as shown in the following table. (Note! A 1024 sample window in this table corresponds to what the Ogg Vorbis community calls 2048 sample window.)

Ogg Vorbis window lengths as function of samplerate			
Nominal Profile / Hz	fs / Hz	Short Win	Long Win
8000	0...9999	64	256
16000	10000...29999	128	512
32000	30000...39999	128	1024
44100	40000...65535	128	1024

Channel coupling is always used for stereo streams. Dual-channel audio is not supported.

For stereo streams, channel coupling is always used (as opposed to MP3, this is a lossless operation in Ogg Vorbis). However, to save space, part of the audio spectrum is only encoded as intensity stereo. The frequency threshold for intensity stereo depends on the quality setting. For quality setting 0, practically all stereo information above 100 Hz is encoded as intensity stereo. Dual-channel audio like multilingual transmissions using one stereo stream is neither supported nor recommended.

VSOVE uses VLSI Solution's proprietary PAMM psycho-acoustic model. PAMM is a non-iterative, constant-time, processor-time efficient real-time algorithm that is capable of near CD quality at bitrates averaging around 140 kbit/s.

VSOVE supports only VBR and makes no attempts at equalizing its output bitrate: the output file size purely depends on the user-chosen quality setting.

7.1.2 VLSI Solution's MP3 Encoder VSMPE v1.00

VSMPE is VLSI Solution's proprietary MP3 encoder first time published for the VS1063 in 2011.

VSMPE supports VBR and CBR.

VSMPE only uses long blocks (576 samples per block).

For stereo audio, joint-stereo streams are always created. The encoder determines on a frame-by-frame basis whether to use LR-stereo or MS-stereo. Dual-channel audio like multilingual transmissions using one stereo stream is neither supported nor recommended.

VSMPE uses an enhanced and adapted version of the PAMM psycho-acoustic model originally developed for VLSI Solution's Ogg Vorbis encoder. The new version of PAMM includes fast bitrate control which makes it possible to create CBR bitstreams.

When CBR is being used, lowest and highest bitrates may lead into inefficient encoding: lowest bitrates because the encoder needs to make it sure that the maximum frame length never is exceeded, and highest bitrates because bit reservoir cannot be trusted too much.

No attempts are made at encoding frequencies over 16 kHz, even with the highest quality settings and samplersates. The reason for this is an omission in the MP3 format specification which makes it difficult to encode these frequencies with reasonable accuracy.

7.2 Decoders

7.2.1 MP3 Decoder

VS1063a's MP3 decoder is a full-accuracy decoder.

8 VS1063a Load File Formats

8.1 VS1063a Plugin Format

A plugin file (".PLG") contains an unsigned 16-bit C source code vector called `plugin`. The file is in an RLE compressed format. An example plugin vector is shown below:

```
const unsigned short plugin[10] = { /* Compressed plugin */
    0x0007, 0x0001, 0x8260,
    0x0006, 0x0002, 0x1234, 0x5678,
    0x0006, 0x8004, 0xabcd,
};
```

The vector is decoded as follows:

1. Read register address number `addr` and repeat number `n`.
2. If $(n \& 0x8000U)$, write the next word `n` times to register `addr`.
3. Else write next `n` words to register `addr`.
4. Continue until table has been exhausted.

The example vector first tells to write 0x8260 to register 7 (WRAMADDR). Then write 2 words, 0x1234 and 0x5678, to register 6 (WRAM). Finally, write 0xabcd 4 times to register 6 (WRAM).

8.1.1 The .PLG Format and VSIDE

VSIDE will gain the capability of generating plugin format files in Q3/2011.

8.1.2 Example VS1063a Microcontroller Plugin Decoder

Assuming the vector is in vector `u_int16 plugin[X]`, a full decoder in C language is provided below:

```

/* This support function that writes one word through SCI is needed. */
void WriteVS10xxRegister(unsigned short addr, unsigned short value);

void LoadPlugin(void) {
    int i = 0;

    /* Execute fo reach word in plugin */
    while (i<sizeof(plugin)/sizeof(plugin[0])) {
        unsigned short addr, n, val;

        /* Get address and number of words in current segment */
        addr = plugin[i++];
        n = plugin[i++];

        if (n & 0x8000U) {
            /* RLE run, replicate n & 0x7FFF samples */
            n &= 0x7FFF;
            val = plugin[i++];
            while (n--) {
                WriteVS10xxRegister(addr, val);
            }
        } else { /* if (!(n & 0x8000U)) */
            /* Copy run, copy n samples */
            while (n--) {
                val = plugin[i++];
                WriteVS10xxRegister(addr, val);
            }
        } /* if (!(n & 0x8000U)) */
    } /* while (i<sizeof(plugin)/sizeof(plugin[0])) */
}

```

8.2 VS1063a Image Format

The VS1063a image format is a bootable / loadable binary format with a three-byte header, followed by one or more boot records. The default image file suffix is “.IMG”.

The 3-byte header is shown below:

VS1063a Boot Header, begins the file		
Name	Bytes	Description
HEADER	3	“P&H” (0x50, 0x26, 0x48)

A boot record is shown below:

VS1063a Boot Record, from 1 to n, last is always TYPE = Execute		
Name	Bytes	Description
TYPE	1	0 = Instruction memory 1 = X data memory 2 = Y data memory 3 = Execute
L1 L0	2	$LEN = 256 \times L1 + L0$
A1 A0	2	$ADDR = 256 \times A1 + A0$
D1 D0	LEN	$DATA = 256 \times D1 + D0$, repeat LEN/2 times

The last boot record is always with TYPE = Execute. When an execute record is found, ADDR is the start address of the application.

The VS1063a boot sequence will skip any unknown records.

8.2.1 The .IMG Format and VSIDE

VSIDE can create prommer image files that are in the VS1063a image format.

8.2.2 Example VS1063a Microcontroller Boot Image Decoder

```

/* This support function that writes one word through SCI is needed. */
void WriteVS10xxRegister(unsigned short addr, unsigned short value);

#define TYPE_I 0
#define TYPE_X 1
#define TYPE_Y 2
#define TYPE_E 3

/* Returns either 0xFFFF for error or image file start address.
   For compactness does NOT check if fgetc() fails! */
auto u_int16 SpiLoadImageInto1053(register __i0 FILE *fp) {
    s_int16 type;
    if (fgetc(fp) != 'P' || fgetc(fp) != '&' || fgetc(fp) != 'H')
        return 0xFFFF;

    while((type = fgetc(fp)) >= 0 && type < 4) {
        static const u_int16 offsets[3] = {0x8000U, 0x0U, 0x4000U};
        u_int16 len, addr;

        /* Get length and address of the record */
        len = fgetc(fp) << 8;
        len |= fgetc(fp);
        addr = fgetc(fp) << 8;
        addr |= fgetc(fp);

        /* If execute record: return with start address */
        if (type == TYPE_E)
            return addr;

        /* Map address to WRAMADDR register space */
        if (type != TYPE_Y || addr < 0xE000)
            addr += offsets[type];

        /* Set write address */
        Write1053Sci(SCIR_WRAMADDR, addr + offsets[type]);

        /* Convert len from bytes to words, then write data */
        len >>= 1;
        while (len-- > 0) {
            u_int16 data = (u_int16)fgetc(fp) << 8;
            data |= fgetc(fp);
            Write1053Sci(SCIR_WRAM, data);
        };
    } /* while (type >= 0 && type < 4) */

    return 0xFFFF; /* Pass-through indicates error condition */
}

```


9 Latest Document Version Changes

This chapter describes the most important changes to this document.

Version 0.40, 2011-09-02

- Minor corrections.

Version 0.30, 2011-05-20

- First publication.
- Still missing chapters: ROM Functions, VS1063a Startup.

10 Contact Information

VLSI Solution Oy
Entrance G, 2nd floor
Hermiankatu 8
FI-33720 Tampere
FINLAND

Fax: +358-3-3140-8288
Phone: +358-3-3140-8200
Email: sales@vlsi.fi
URL: <http://www.vlsi.fi/>