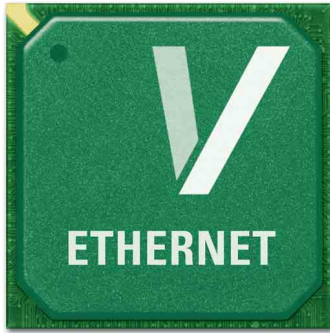


# VSC8221

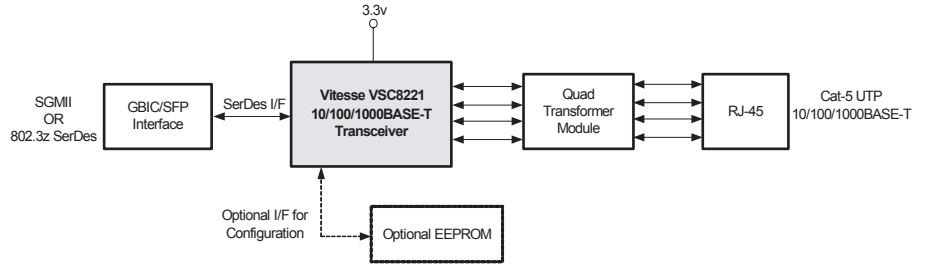
www.DataSheet4U.com

VITESSE

## Single Port 10/100/1000BASE-T PHY with 1.25 Gbps SerDes / SGMII for SFPs / GBICs



SFP/GBIC Serial Interface (SGMII or 802.3z SerDes) to Cat-5



FEATURES:	BENEFITS:
▶ Very Low Power Consumption at < 700mW	▶ Only Gigabit Ethernet PHY That Enables Copper SFP Designers to Meet the Stringent MSA Power Consumption Specification of < 1W
▶ Single 3.3V Power Supply with On-chip Regulator	▶ Eliminates External Regulators, Reducing System Costs
▶ Patented, Low EMI Line Driver with Integrated Line Side Termination Resistors	▶ Removed 12 Passive Components, Reducing PCB Area and Cost by 50%
▶ Supports PICMG 2.16 and 3.0 Ethernet Backplanes at Approximately 500mW	▶ Lowest Power Mode Reduces Power Supply Costs
▶ High Performance 1.25 Gbps SerDes Supports SGMII and SerDes to Cat-5 Interfaces	▶ Connects to Serial MACs or Optical Modules and can be Used to Design Copper SFP/GBIC Modules and 100BASE-FX Modules
▶ Compliant with IEEE 802.3 (10BASE-T, 100BASE-TX, 1000BASE-T, 1000BASE-X) and SFP MSA Specifications	▶ Ensures Seamless Deployment Throughout Copper and Optical Networks with Industry's Highest Tolerance to Noise and Substandard Cabling Infrastructures
▶ Full Suite of BIST, MAC, Far-end, and Connector Loopback Modes	▶ Simplifies Comprehensive In-system Test to Ensure the Highest Product Quality
▶ Over 150m of Category-5 Reach with Industry's Highest Noise Tolerance	▶ Ensures Trouble-free Deployment in Real World Ethernet Networks
▶ VeriPHY™ Cable Diagnostics Software Suite	▶ Enables Network Manufacturers to Simplify Deployment and improve Network Management Capabilities of Gigabit Ethernet Links
▶ Automatic Detection and Correction of Cable Pair Swaps, Pair Skew and Pair Polarity, Along with Auto MDI/MDI-X Crossover Function	▶ Compatible with 1st Generation 1000BASE-T PHYs, Minimizing Common Interoperability Problems
▶ Several Flexible Power Management Modes	▶ Reduces Power Consumption and System Costs
▶ Manufactured in Advanced 0.13µm, 3.3V/1.2V Digital CMOS Process	▶ Most Cost Effective Technology Eliminates more Expensive Analog Process Variants

**APPLICATIONS:**

- ▶ Triple Speed Copper SFP/GBIC Modules
- ▶ Media Converters

## Single Port 10/100/1000BASE-T PHY with 1.25 Gbps SerDes for SFPs / GBICs

www.DataSheet4U.com

### GENERAL DESCRIPTION:

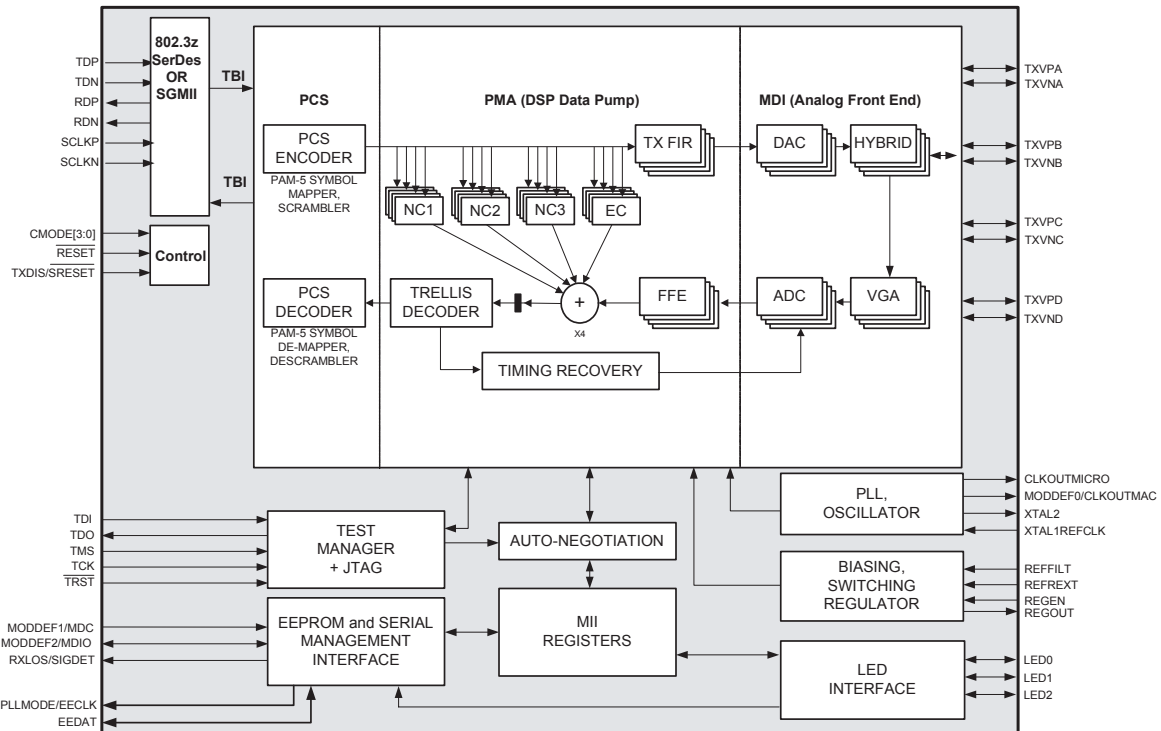


The VSC8221 is the smallest, lowest power Gigabit Ethernet over copper PHY available and is ideal for SFP/GBIC and Media Converter applications. It is the only triple speed copper SFP PHY to meet the stringent MSA power consumption requirement of <1W for the entire module. Its integrated switching regulator enables it to be powered by a single 3.3V power supply, reducing board space requirements and system cost. Vitesse's mixed signal and DSP architecture yields robust performance, supporting both full and half duplex 10BASE-T, 100BASE-TX, and 1000BASE-T over >140m of Category 5, unshielded twisted pair (UTP) cable, with industry leading tolerance to NEXT, FEXT, Echo, and system noise.

### SPECIFICATIONS:

PARAMETER	TYP	UNIT	COMMENTS
$P_D$	700	mW	Steady state power consumption (1000BASE-T) including SerDes
$P_{DQ}$	100	mW	Power consumption in ActiPHY™ power down mode
$L_{1G}, L_{100M}$	150	m	Cable link length supported in 1000BASE-T & 100BASE-TX modes,
Serial Data Rate	1.25	Gbps	SerDes, SGMII interface data rate
VDD	3.3	V	DC power supply voltage range
$F_{TOL(REFERENCE)}$	25	MHz	Crystal parallel resonant frequency (+/- 100 ppm tolerance)

### BLOCK DIAGRAM:



For more information on Vitesse Products visit the Vitesse web site at [www.vitesse.com](http://www.vitesse.com) or contact Vitesse Sales at (800) VITESSE or [sales@vitesse.com](mailto:sales@vitesse.com)

Vitesse, ASIC-Friendly, FibreTimer, TimeStream and Snoop Loop are trademarks of Vitesse Semiconductor Corporation. All other trademarks or registered trademarks mentioned herein are the property of their respective holders. Vitesse Semiconductor Corporation ("Vitesse") retains the right to make changes to its products or specifications to improve performance, reliability or manufacturability. All information in this document, including descriptions of features, functions, performance, technical specifications and availability, is subject to change without notice at any time.

741 Calle Plano  
 Camarillo, CA 93012, USA  
 Tel: +1 805.388.3700  
 Fax: +1 805.987.5898  
[www.vitesse.com](http://www.vitesse.com)

www.DataSheet4U.com