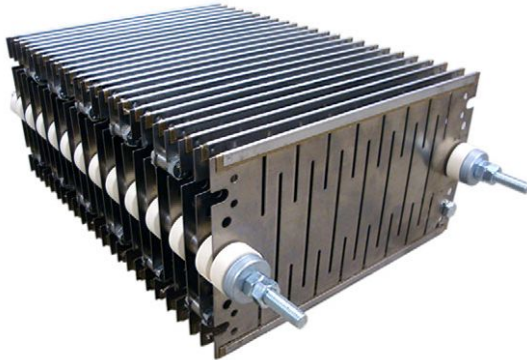


Stainless Steel Power Resistor



FEATURES

- High power capability up to 20 kW at 40 °C ⁽¹⁾
- Operating temperature range:
-25 °C to +250 °C
- Protection IP00 to IP23
- Material categorization:
for definitions of compliance please see
www.vishay.com/doc?99912



RoHS
COMPLIANT
HALOGEN
FREE
GREEN
(5-2008)

Note

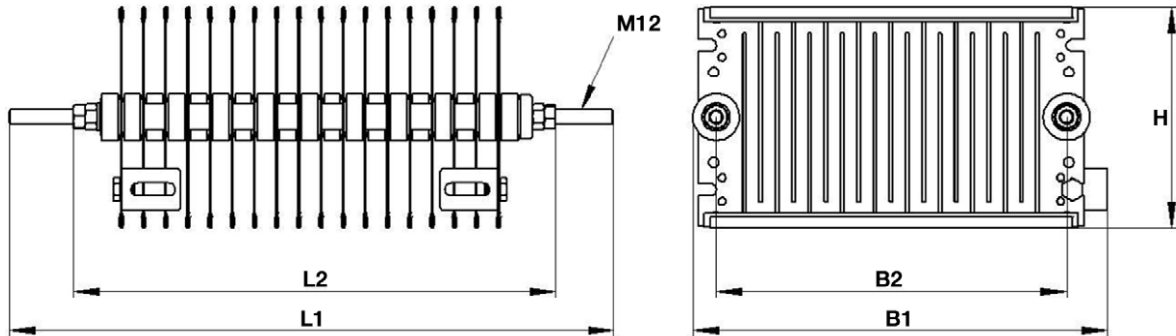
- ⁽¹⁾ Max. permissible operating voltage $U_L = 600\text{ V}$, EN 1000 V_{DC} , testing voltage 2.7 kV_{AC} 1 s, unforced cooling

STANDARD ELECTRICAL SPECIFICATIONS				
MODEL	RESISTANCE VALUE ⁽¹⁾⁽²⁾ Ω	TOLERANCE $\pm \%$	POWER RATING ⁽²⁾ W	TEMPERATURE COEFFICIENT ppm/K
VSGR050	0.1 to 54	10	5K	250
VSGR100	0.2 to 75	10	10K	250
VSGR150	0.2 to 51	10	15K	250
VSGR200	0.3 to 36	10	20K	250

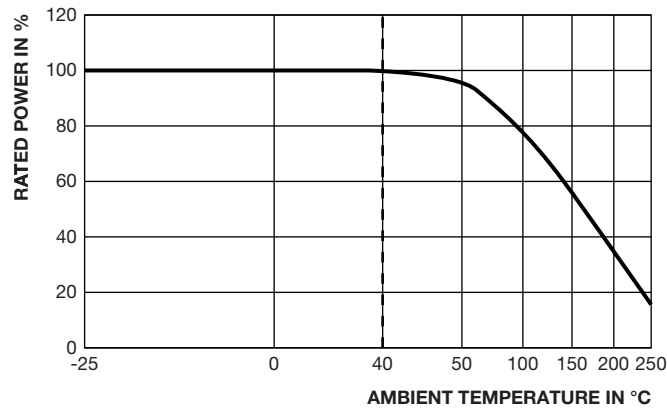
Notes

- ⁽¹⁾ Resistance values to be selected from E24
⁽²⁾ Other values on request

PART NUMBER AND PRODUCT DESCRIPTION																	
Part Number: VSGR0501008K90LX00																	
V	S	G	R	0	5	0	1	0	0	8	K	9	0	L	X	0	0
MODEL	VARIANT	VALUE	TOLERANCE	TCR	PROTECTION	PACKAGING	SPECIAL										
VSGR	Examples: 050 = 5 kW 085 = 8.5 kW 100 = 10 kW SPC = customized	3 digit value 1 digit multiplier MULTIPLIER 7 = *10 ⁻³ 8 = *10 ⁻² 9 = *10 ⁻¹ 0 = *10 ⁰ 1 = *10 ¹ 2 = *10 ² 3 = *10 ³	K = $\pm 10\%$	9 = 250 ppm	0 = IP00 1 = IP20 2 = IP23	LX = bulk, quantity free	00 = standard For special issues 2 digits code will be edited by marketing										
Product Description: VSGR 5 1R0 10 % 250 LX																	
VSGR	5	1R0	10 %	250	LX												
MODEL	VARIANT	VALUE	TOLERANCE	TCR	SPECIAL												

DIMENSIONS


MODEL	DIMENSIONS in millimeters				
	L1 max.	L2 max.	B1 max.	B2 max.	H max.
VSGR	930	840	360	300	200

FUNCTIONAL PERFORMANCE

Derating



Disclaimer

ALL PRODUCT, PRODUCT SPECIFICATIONS AND DATA ARE SUBJECT TO CHANGE WITHOUT NOTICE TO IMPROVE RELIABILITY, FUNCTION OR DESIGN OR OTHERWISE.

Vishay Intertechnology, Inc., its affiliates, agents, and employees, and all persons acting on its or their behalf (collectively, "Vishay"), disclaim any and all liability for any errors, inaccuracies or incompleteness contained in any datasheet or in any other disclosure relating to any product.

Vishay makes no warranty, representation or guarantee regarding the suitability of the products for any particular purpose or the continuing production of any product. To the maximum extent permitted by applicable law, Vishay disclaims (i) any and all liability arising out of the application or use of any product, (ii) any and all liability, including without limitation special, consequential or incidental damages, and (iii) any and all implied warranties, including warranties of fitness for particular purpose, non-infringement and merchantability.

Statements regarding the suitability of products for certain types of applications are based on Vishay's knowledge of typical requirements that are often placed on Vishay products in generic applications. Such statements are not binding statements about the suitability of products for a particular application. It is the customer's responsibility to validate that a particular product with the properties described in the product specification is suitable for use in a particular application. Parameters provided in datasheets and / or specifications may vary in different applications and performance may vary over time. All operating parameters, including typical parameters, must be validated for each customer application by the customer's technical experts. Product specifications do not expand or otherwise modify Vishay's terms and conditions of purchase, including but not limited to the warranty expressed therein.

Except as expressly indicated in writing, Vishay products are not designed for use in medical, life-saving, or life-sustaining applications or for any other application in which the failure of the Vishay product could result in personal injury or death. Customers using or selling Vishay products not expressly indicated for use in such applications do so at their own risk. Please contact authorized Vishay personnel to obtain written terms and conditions regarding products designed for such applications.

No license, express or implied, by estoppel or otherwise, to any intellectual property rights is granted by this document or by any conduct of Vishay. Product names and markings noted herein may be trademarks of their respective owners.