

Reflective Optoswitch

Arrow Retro with Flying Leads

VTR17D1



PRODUCT DESCRIPTION

This series of reflective optical switches combines an infrared emitting diode (IRED) with an NPN phototransistor (VTR17D1) in a one piece, sealed, IR transmitting plastic case. The sealed construction improves resistance to moisture and debris. Units have 12", #26 AWG leads. Refer to VTR16xx for devices with PC. board mounting leads.

ABSOLUTE MAXIMUM RATINGS

Maximum Temperatures

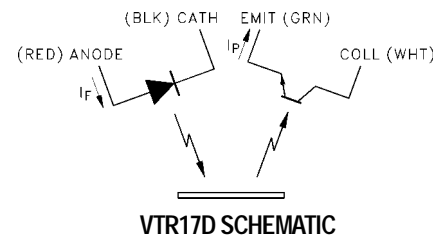
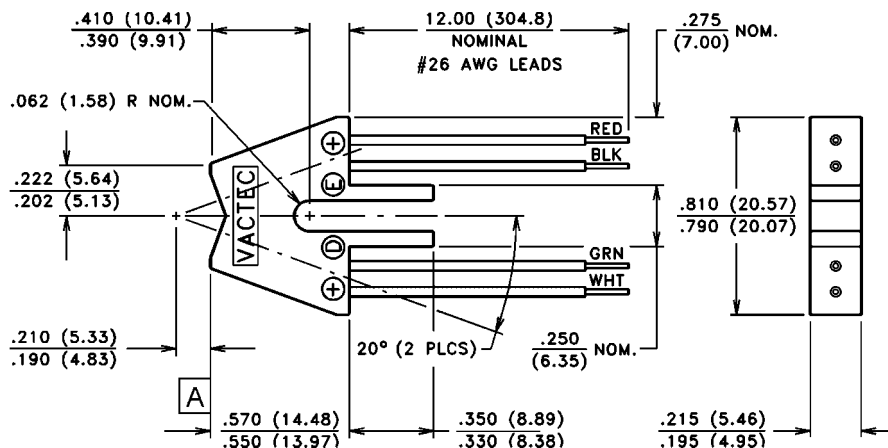
Storage and Operating: -40°C to 85°C

Operating Temperature: -40°C to 85°C

GENERAL CHARACTERISTICS (@ 25°C unless otherwise noted)

Parameter	Symbol	Text Conditions	Input IRED	Output Detector
Reverse Voltage	V_R	$I_R = 100 \mu A$	2.0V Min.	
Continuous Forward Current	I_F	Derate 0.73 mA/°C above 30°C	40 mA Max.	
Forward Voltage Drop	V_F	$I_F = 20 \text{ mA}$	1.8V Max.	
Collector Breakdown Voltage	$V_{BR(CEO)}$	$I_C = 100 \mu A$		30V Min.
Emitter Breakdown Voltage	$V_{BR(ECO)}$	$I_E = 100 \mu A$		5.0V Min.
Power Dissipation	P_D	Derate 0.91 mW/°C above 30°C		50 mW Max.

PACKAGE DIMENSIONS inch (mm)



ELECTRO-OPTICAL CHARACTERISTICS @ 25°C (See also curves, pages 20-22)

PART NO. (1) (5)	LIGHT CURRENT, I_p (2)				DARK CURRENT (3) (4)			OUTPUT ELEMENT DETECTOR DEVICE
	mA Min.	Test Conditions			μ A Max.	Test Conditions		
		I_F mA	V_{CE} Volts	d inches (mm)		I_F mA	V_{CE} Volts	
VTR17D1	0.3	20	5	0.10 (2.5)	0.1	0	5	PHOTOTRANSISTOR

Notes:

1. The case material is polysulfone and should be cleaned with alcohol or freon TF only. Avoid chlorinated hydrocarbons and solvents such as acetone or toluene, as damage may result.
2. The light current is measured using a 90% reflective surface at the specified distance from Ref. A (refer to Package Dimension Outline on previous page).
3. The dark current is measured with the part totally shielded from ambient light. With 2150 lux (200 fc) from a cool white fluorescent lamp perpendicular to the sensing axis, the detector current will be typically 3 μ A for VTR17D1. The same illumination concentric to the sensing axis will result in a detector current of 50 μ A for VTR17D1. Equivalent light from an incandescent lamp will result in significantly greater currents.
4. With the specified IRED forward current and no reflecting surface, the crosstalk is typically less than 3 μ A for VTR17D1.
5. VTR17D1 accommodates most applications.