

APPLICATIONS:

- Television/VCR
- Multi-media adapters
- Video signal converters

VTST-Series NTSC/PAL Electronic Television Tuners

FEATURES

- Small Size: 53 mm × 41 mm × 12 mm
- Standard Industry Package
- Common Footprint
- Common Electrical Interface
- Standard pin-pitch between models
- Voltage Synthesizer I²C bus or 3-wire PLL control
- Same input connector locations between models
- Reduced component count
- High level of integration

DESCRIPTION

The VTST-Series of Single-Conversion Electronic Television tuners provide a new, smaller size and lower cost interface for NTSC and PAL applications. These tuners provide a common package size, which is the smallest in the industry.

These units provide a common mechanical foot print and electrical interface through all models. The pin position and pitch, and assigned functions are always in the same position, so now you can change tuners without changing the PCB.

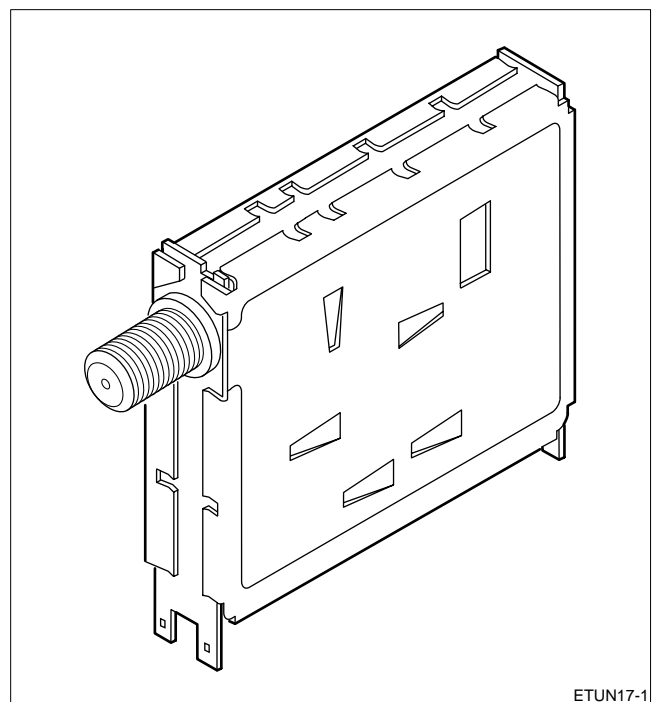
The tuners are available in Voltage Synthesizer models, which provide a Voltage Controlled Oscillator input and Band Switch controls. Tuner models are also available with internal Phase-Locked Loop tuning circuits that are programmed by either an I²C bus or 3-wire serial interface.

Tuners are available in models to support worldwide variation in compliance requirements. The IF output may be symmetrical or asymmetrical, as required.

Power supply is 5 V and 33 V, or 5 V, 9 V, and 33 V, model dependent.

Test and evaluation software is available upon request for programming pin timer series.

VTST PACKAGE



ETUN17-1

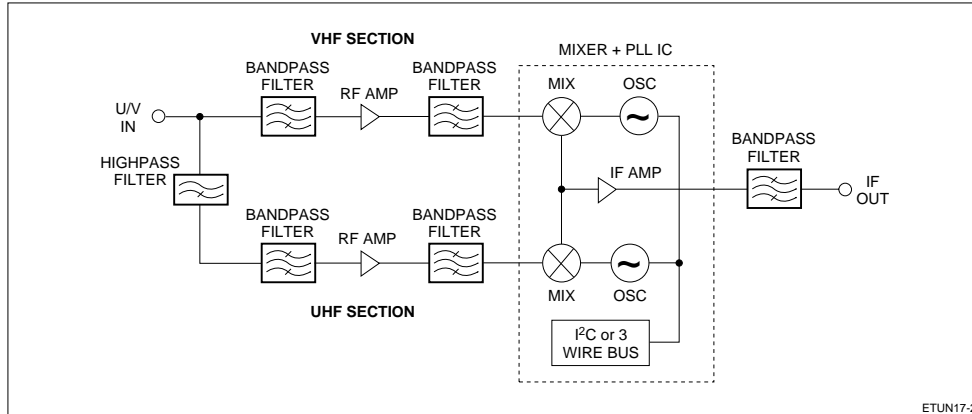
VTST-SERIES TUNERS

Part No.	PLC	Voltages	Connector	Coverage
VTST6UF78	I ² C	5, 9, 33	F	NTSC
VTST5UZ68	I ² C	5, 33	RCA	NTSC
VTST5HD65	I ² C	5, 33	DIN	PAL D/K
VTST5HZ64	I ² C	5, 33	RCA	PAL B/G

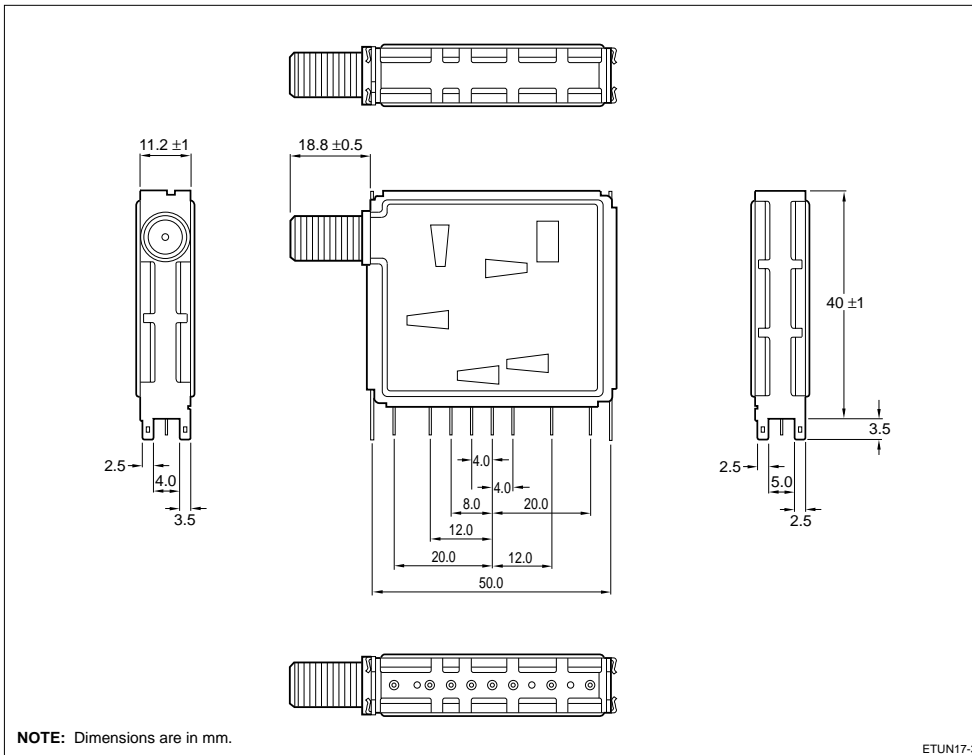
PRODUCT INFORMATION

SHARP

BASIC BLOCK DIAGRAM



MECHANICAL DIMENSIONS



FastFax Service: 1-800-833-9437
 Product Information: 1-800-642-0261
 World Wide Web Site: <http://www.sharpsma.com>

SHARP Microelectronics of the Americas Regional Sales Offices

North American Headquarters

Camas, WA
 Ph (360) 834-2500
 Fax (360) 834-8903

West

Irvine, CA
 Ph (714) 250-0225
 Fax (714) 250-0438
 San Jose, CA
 Ph (408) 436-4900
 Fax (408) 436-0924

Central

Romeoville, IL
 Ph (708) 226-2400
 Fax (708) 759-8572
 Auburn Hills, MI
 Ph (810) 377-9220
 Fax (810) 377-9222

Austin, TX
 Ph (512) 349-7262
 Fax (512) 349-7002
 DFW Airport, TX
 Ph (214) 574-5205
 Fax (214) 456-0360
 Houston, TX
 Ph (713) 955-9909
 Fax (713) 955-9910

East

Burlington, MA
 Ph (617) 270-7979
 Fax (617) 229-9117
 Annadale, NJ
 Ph (908) 713-0505
 Fax (908) 713-0566
 Durham, NC
 Ph (919) 941-0065
 Fax (919) 941-0066

Distributors

Future Electronics

Canada
 Ph (514) 694-7710
 Fax (514) 695-3707

Marshall Industries

El Monte, CA
 Ph (800) 522-0084
 Fax (818) 307-6173
<http://www.marshall.com>

Bell-Milgray

Farmindale, NY
 Ph (800) MILGRAY (645-4729)
 Fax (516) 293-6465

Reptron

Tampa, FL
 Ph (800) 659-1361
 Fax (813) 854-2351

Sterling Electronics Corp.

Houston, TX
 Ph (800) 745-5500
 Fax (713) 629-3939

SHARP
 FROM SHARP MINDS
 COME SHARP PRODUCTS™