

Single Phase Silicon Bridge Rectifier

 $V_{RRM} = 50\text{ V} - 400\text{ V}$
 $I_O = 1.5\text{ A}$

Features

- Ideal for printed circuit board
- Low forward voltage drop
- Low leakage current
- Types from 50 V up to 400 V VRRM
- Not ESD Sensitive

Mechanical Data

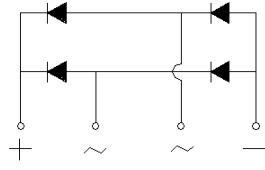
Case: Molded plastic body

Terminals: Plated leads, solderable per MIL-STD-202 Method 208 guaranteed

Polarity: Color band on body denotes cathode end

Mounting position: Any

Weight: 1.07 grams

WOM Package


Maximum ratings at Tc = 25 °C, unless otherwise specified

| Parameter | Symbol | Conditions | W005M | W01M | W02M | W04M | Unit |
|---------------------------------|-----------|------------|------------|------------|------------|------------|------|
| Repetitive peak reverse voltage | V_{RRM} | | 50 | 100 | 200 | 400 | V |
| RMS reverse voltage | V_{RMS} | | 35 | 70 | 140 | 280 | V |
| DC blocking voltage | V_{DC} | | 50 | 100 | 200 | 400 | V |
| Operating temperature | T_j | | -65 to 125 | -65 to 125 | -65 to 125 | -65 to 125 | °C |
| Storage temperature | T_{stg} | | -65 to 150 | -65 to 150 | -65 to 150 | -65 to 150 | °C |

Electrical characteristics at Tc = 25 °C, unless otherwise specified

Single phase, half sine wave, 60 Hz, resistive or inductive load

For capacitive load derate current by 20%

| Parameter | Symbol | Conditions | W005M | W01M | W02M | W04M | Unit |
|---|-----------|---|-----------|-----------|-----------|-----------|---------------|
| Maximum average forward rectified current | I_O | $T_a = 50\text{ °C}$ | 1.5 | 1.5 | 1.5 | 1.5 | A |
| Peak forward surge current | I_{FSM} | $t_p = 8.3\text{ ms}$, half sine | 50 | 50 | 50 | 50 | A |
| Maximum instantaneous forward voltage drop per bridge element | V_F | $I_F = 1.0\text{ A}$ | 1.0 | 1.0 | 1.0 | 1.0 | V |
| Maximum DC reverse current at rated DC blocking voltage | I_R | $T_a = 25\text{ °C}$ $T_a = 100\text{ °C}$ | 10 500 | 10 500 | 10 500 | 10 500 | μA |

FIG.1-TYPICAL FORWARD CURRENT DERATING CURVE

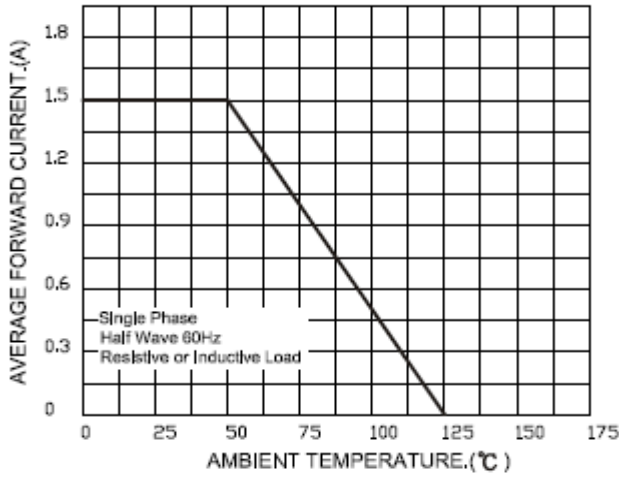


FIG.2-MAXIMUM NON-REPETITIVE FORWARD SURGE CURRENT

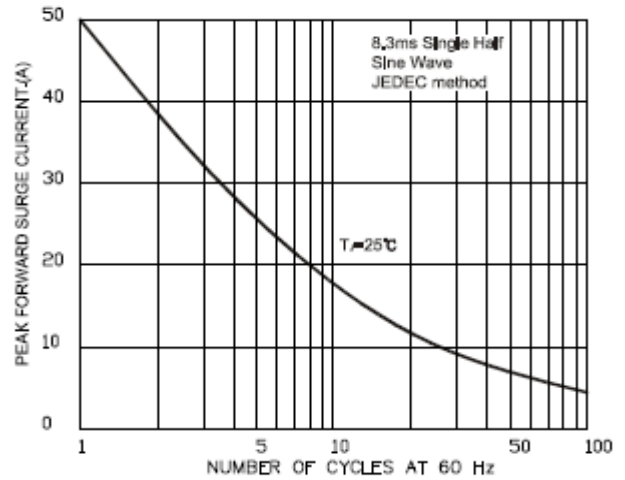


FIG.3-TYPICAL FORWARD CHARACTERISTICS

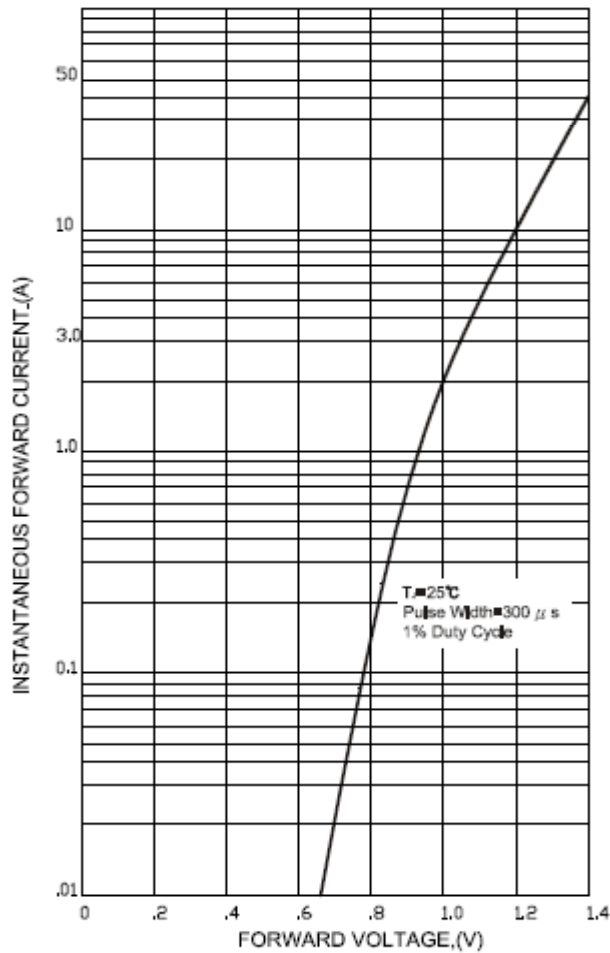
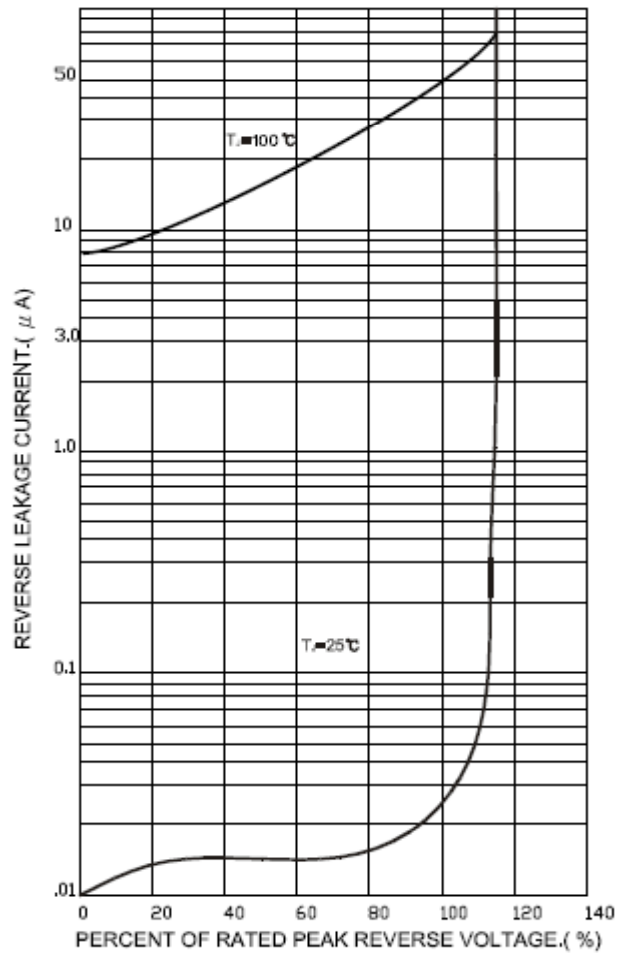
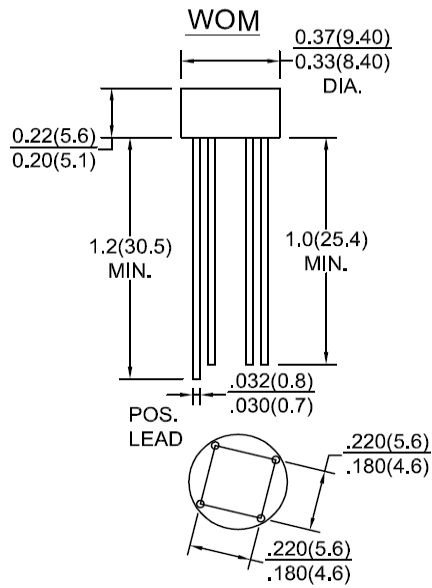


FIG.4-TYPICAL REVERSE CHARACTERISTICS



Package dimensions and terminal configuration

Product is marked with part number and terminal configuration.



Dimensions in inches and (millimeters)

