

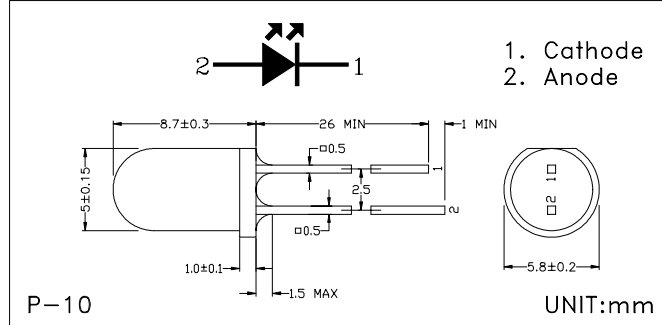
LED – Light Emitting Diode

Module No.: W05310YHC

Features:

Ø5mm
 YELLOW
 Water Clear
 High Bright
 PIN=26mm

Dimensions



Absolute Maximum Ratings

(Ta=25°C)

Descriptions	Symbol	Value	Unit
Continuous Forward Current	IF	30	mA
Peak Forward Current *1	IFM	35	mA
Reverse Voltage	VR	5	V
Operating Temperature	Topr	-25 ~ +65	°C
Storage Temperature	Tstg	-25 ~ +85	°C
Soldering Temperature *2	Tsol	260	°C

*1 Duty ratio = 1/10, Pulse width = 0.1ms.

*2 At the position of 2mm from the bottom face of resin package within 5 sec.

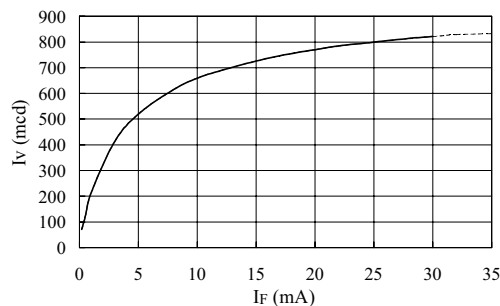
Electro-optical Characteristics

(Ta=25°C)

Descriptions	Symbol	Conditions	Min.	Typ.	Max.	Unit
Forward Voltage	V _{F1}	I _F =10μA	1.5	1.6		V
	V _{F2}	I _F =20mA		2.0	2.4	V
Luminous Intensity *3	I _v	I _F =20mA	380	770		mcd
Peak Emission Wavelength	λ _p	I _F =20mA		587		nm
Spectrum Radiation Bandwidth	Δλ	I _F =20mA		35		nm
Half Power Beam Angle	Δθ			±10		deg.
Terminal Capacitance	C _t			25		pF
Response Frequency	f _c			8		MHz

*3 Tolerance: ± 30%

Luminous Intensity vs
Forward Current



Radiation Diagram

