



产品规格书

PRODUCT SPECIFICATION

客户名称Buyer Name	
客户料号Buyer Part No.	
客户承认签章 Buyers Approval & Signatures	

文件编号Spec No.	S-324456	版本	A/0
品名描述 Product Description	无刷直流振动马达 BLDC Vibration Motor		
型号Part No.	W0625SS001D		
送样日期Date			
设计Designed by	审核Checked by	批准Approved by	
陳满	陈满	陈满	
2018.07.17	2018.07.17	2018.07.17	

Jinlong Machinery & Electronics
www.jinlong-machinery.com
sales@jinlong-machinery.com

※ Table of Contents

NO	ITEM	Page
1	Revision History	3
2	Application	4
3	Standard Operating Condition	4
4	Standard Measurement Condition	4
5	Judgment Environmental Condition	5
6	Test Tolerance	5
7	Electrical Characteristics	5
8	Mechanical Characteristics	6
9	Graph Characteristic Graph	6
10	Reliability Test	7~8
11	Caution	9
12	Specification Change	10
13	Drawing	11

Part Number		Company	JINLONG	Approval No.	S-324456
Specification	Φ6 x 2.5T	Name of applied Model	W0625SS001D	Enactment	2018.07.17
				Revision	

1. REVISION HISTORY

REV No.	Date	Description	Inspector	Designed	Approved

Part Number		Company	JINLONG	Approval No.	S-324456
Specification	Φ6 x 2.5T	Name of applied Model	W0625SS001D	Enactment	2018.07.17
				Revision	

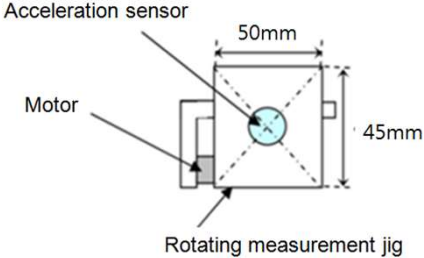
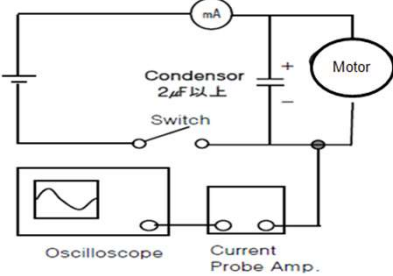
2. Scope

This specification applies to W0625SS001D brushless (BLDC) coin vibration motor used for mobile devices, manufactured by Jinlong Machinery & Electronics

3. Contents

No.	Item	Specification
3-1	Operating Voltage Range	DC 2.7V ~ 3.3V
3-2	Storage Temperature Range	(-)40 ~ (+)85℃ There should be no condensation
3-3	Operating Temperature Range	(-)20 ~ (+)60℃ There should be no condensation
3-4	Operating Position	All Direction

4. Standard Test Condition

No.	Item	Specification
4-1	Temperature	20±3℃
4-2	Humidity	65%±20% RH
4-3	측정전압 Measurement Voltage	DC3.0V
4-4	<div style="display: flex; justify-content: space-around; align-items: flex-start;"> <div style="text-align: center;">  <p>Acceleration sensor</p> <p>Motor</p> <p>Rotating measurement jig</p> <p>50mm</p> <p>45mm</p> </div> <div style="text-align: center;">  <p>mA</p> <p>Condensator 2µF以上</p> <p>Switch</p> <p>Motor</p> <p>Oscilloscope</p> <p>Current Probe Amp.</p> </div> </div> <div style="display: flex; justify-content: space-around; margin-top: 10px;"> <div style="border: 1px solid black; background-color: #e0f0e0; padding: 5px; width: 45%;">Standard Measurement State</div> <div style="border: 1px solid black; background-color: #e0f0e0; padding: 5px; width: 45%;">Inspection Circuit Diagram</div> </div> <ul style="list-style-type: none"> - Jig : 50x46x45mm [Material is POM] - Weight: 150g - The vibrator is Clamped firmly (0.5~1Kg pressure) on a test fixture 	

Part Number		Company	JINLONG	Approval No.	S-324456
Specification	Φ6 x 2.5T	Name of applied Model	W0625SS001D	Enactment	2018.07.17
				Revision	

5. Judgment Environmental Condition

NO	Item	Condition
5-1	Temperature	20±3℃
5-2	Humidity	65%±20%RH

6. Test Tolerance

Test set-ups and equipment shall be capable of maintaining following condition, unless otherwise specified.

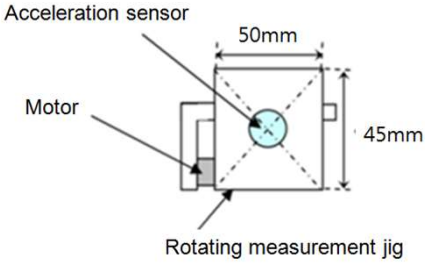
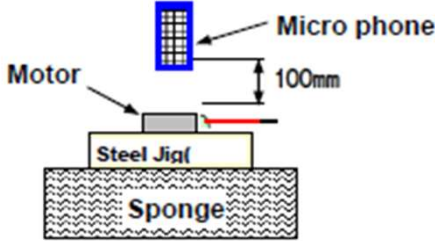
NO	Item	Condition
6-1	Room Temperature & Humidity	20±15℃/65±20%RH
6-2	Test Chamber Temperature	Limits ±3℃
6-3	Voltage	Limits ±0.15V

7. Electrical Characteristics

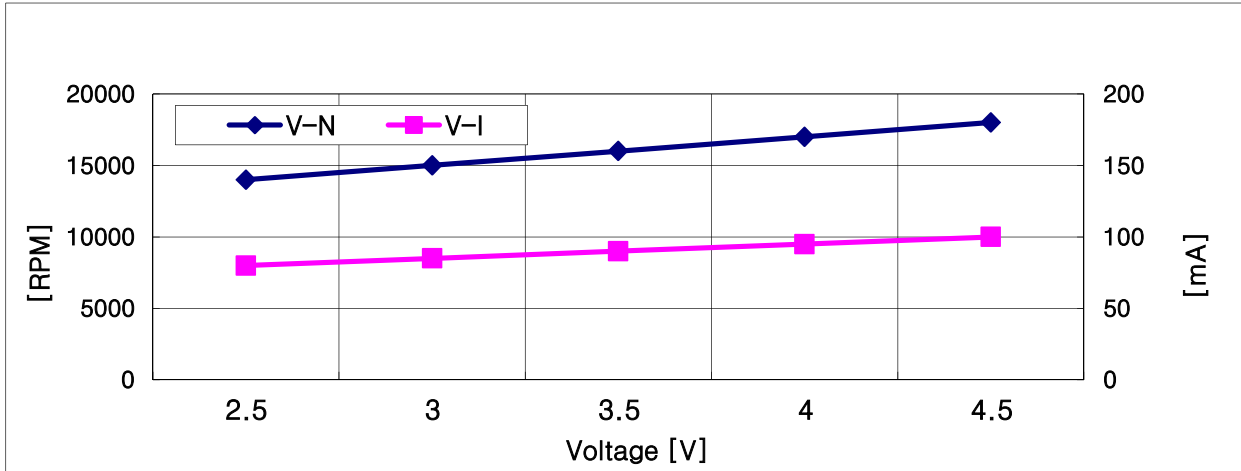
No	Item	Test Condition	Condition
7-1	Rated Voltage	.	DC 3.0V
7-2	Rotating Direction	CW [Lead Wire Red to (+), Black or Blue to (-)]	CW
7-3	Rated Load Speed	It is based on the standard measurement condition of the section 4.	15,000 ± 3,000 rpm
7-4	Rated Load Current		90 mA max
7-5	Starting Current		175 mA max
7-6	Starting Voltage	Motor On/Off test based on the standard measurement condition of the section 4-1, 4-2, and 4-4.	DC 2.5 V max
7-8	Insulation Voltage	Measured between terminal and case with DC 100V Megger .	10 MΩ min

Part Number		Company	JINLONG	Approval No.	S-324456
Specification	Φ6 x 2.5T	Name of applied Model	W0625SS001D	Enactment	2018.07.17
				Revision	

8. Mechanical Characteristics

NO	Item	Specification	Condition
8-1	Vibration Force	<ul style="list-style-type: none"> - 50x46x45mm [Material is POM] - Weight : 150g -The vibrator is Clamped firmly (0.5~1Kg pressure) on a test fixture, 	It is referred to the rated load speed of the section 7-3
8-2	Mechanical Noise	<ul style="list-style-type: none"> - Motor shall be fixed on Jig by adhesive tape - SUS-304 - Jig Material 	50dB 50dB MAX * 24dB
8-3	Weight		약 0.90g about 0.90g

9. Graph. Characteristic Graph



Part Number		Company	JINLONG	Approval No.	S-324456
Specification	Φ6 x 2.5T	Name of applied Model	W0625SS001D	Enactment	2018.07.17
				Revision	

10. Reliability Test

NO	Item	Test Condition			Specification
10-1	Room Temperature & Humidity Life Test	Item			-Rated Load Speed: Initial value +40,
			Room Temp. & Humi. L/T	High Temp. & Humi. L/T	
		Voltage	DC 3.0V	DC 3.0V	-20%
10-2	High Temperature & Humidity Life Test	Temperature	20±15℃	40℃	Or within rated load speed
		Humidity	65±20% RH	90% RH	
		Life cycles	1,000,000 cycles	300,000 cycles	-Rated Load Current: Initial value ±30%
		Duty Cycle	0.5 sec ON / 0.5 sec OFF	0.5 sec ON / 0.5 sec OFF Motor shall be fixed on Jig by adhesive tape. (Refer to the section 4-4)	
10-3	Composite Test	Conduct the continuous running for 10 hours as following Then storage at 60℃ 90% for 500hours			(Rated Load Speed: Initial value ±20%, or within rated load speed)
10-4	Low Temperature Storage Performance	Exposed to -40℃ for 500 hours and then room temperature for 4 hours.			(Rated Load Current: Initial value ±30%)
10-5	High Temperature Storage Performance	-Exposed to +85℃, 60%RH for 500 hours and then room temperature for 4 hours.			
10-6	High Temperature and Humidity Storage Performance	-Exposed to +60℃, 90%RH for 500 hours and then room temperature for 4 hours.			

Part Number		Company	JINLONG	Approval No.	S-324456
Specification	Φ6 x 2.5T	Name of applied Model	W0625SS001D	Enactment	2018.07.17
				Revision	

10. Reliability Test

NO	Item	Test Condition	Specification
10-7	Thermal Shock Test	Total 200cycles at -40°C and +85°C for 30min each (1cycle=1 H) - Temperature Change Time < 5min Motor shall be measured after exposure at room temperature for 4 hours.	(Rated Load Speed: Initial value±20%, or within rated load speed) (Rated Load Current: Initial value ±30%)
10-8	Drop Test	Dummy set (about 100g) motor shall be dropped Onto concrete plate. 3times each side of 6 directions from a height of 150 cm, total 18 times.	
10-9	Vibration Test	Standard-packed motor is subjected to sine wave 10Hz~55Hz. X, Y, Z directions for 2 hours each, total 6 hours.	

Part Number		Company	JINLONG	Approval No.	S-324456
Specification	Φ6 x 2.5T	Name of applied Model	W0625SS001D	Enactment	2018.07.17
				Revision	

11. Caution

NO	Item	Specification
13-1	Operating Range	-When using on the operating condition different from a standard, a problem can be generated to the performance and the life of a product.
13-2	Storage	- Avoid from placing motor for long term of six months under environmental condition of high temperature or extreme humidity, or motor may be deteriorated.
13-3	Motor Handling	<p>To handle the motor, hold the case softly.</p> <p>Do not bring a magnetized object or attracted object by the magnet of motor, or such object may deteriorate a performance of motor.</p> <p>Input short to the motor due to mis-operating, Drive IC of the motor inside can be damaged. To avoid this problem, please add capacitor of 2uF or more between the power lines in parallel with the motor.</p> <p>. Supplying voltage more than DC 4.5V can damage the driver IC</p>

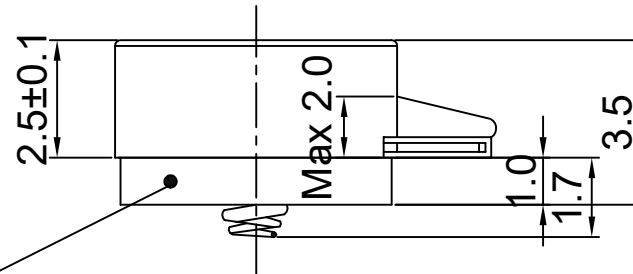
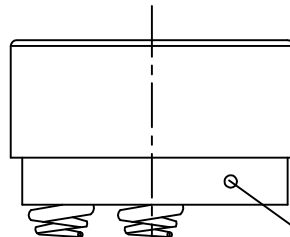
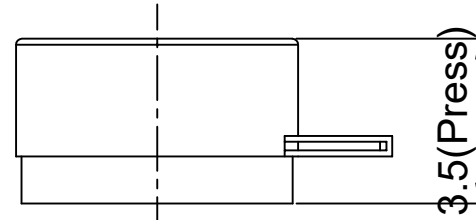
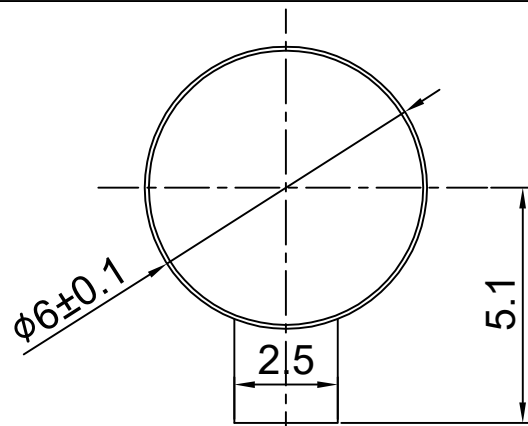
Part Number		Company	JINLONG	Approval No.	S-324456
Specification	Φ6 x 2.5T	Name of applied Model	W0625SS001D	Enactment	2018.07.17
				Revision	

12. Specification Change

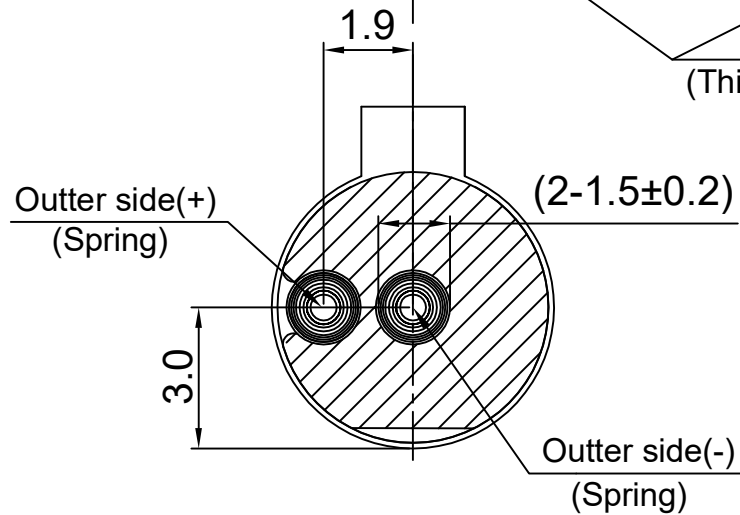
Even when there is any change to this specification, change application report which has the information of details

- of the change, lot of product, and etc shall be presented to customer before that change being carried out.
- And mutual discussion may be necessary before the change being carried out. Revision history shall be recorded on to the specification sheet when the change record and approval may be required.

Part Number		Company	JINLONG	Approval No.	S-324456
Specification	Φ6 x 2.5T	Name of applied Model	W0625SS001D	Enactment	2018.07.17
				Revision	



Poron Sponge
(Thickness : 1.0mm)



SPECIFICATION

1. RATED VOLTAGE : DC 3.0V
2. RATED CURRENT : 90 mA Max
3. SPEED : 15,000±3,000 RPM
4. STARTING VOLTAGE : DC 2.5V Max
5. DIRECTION OF ROTATION : CW

REV	NO.	CONTENTS	ENGINEER	APPROVER	DATE(yy/mm/dd)

A

UNLESS OTHERWISE SPECIFIED

3		LEAD WIRE		1		
2		RUBBER		1		
1		Vibrator		1		
NO.	PART NO.	PART NAME	MATERIAL	QTY	FINISH	REMARK
UNLESS OTHERWISE SPECIFIED, DIMENSIONS ARE IN MILLIMETERS, AND TOLERANCE ARE AS FOLLOWS:						
GENERAL TOLERANCE(±)		m/m		0.2		
			ANGULAR TOLERANCE : ±1.0°			
DESIGNED			UNIT	SIZE	SCALE	DATE (YY/MM/DD)
CHECKED			mm	A4	1/1	2018.7.17
APPROVED			SHEET		MODEL	
Jinlong Machinery & Electronics			1/1		W0625SS001D	
				PART NAME		
				BLDC COIN MOTOR		
				DRAWING NO.		
				S-324456		