

W24L011A



128K × 8 HIGH SPEED CMOS STATIC RAM

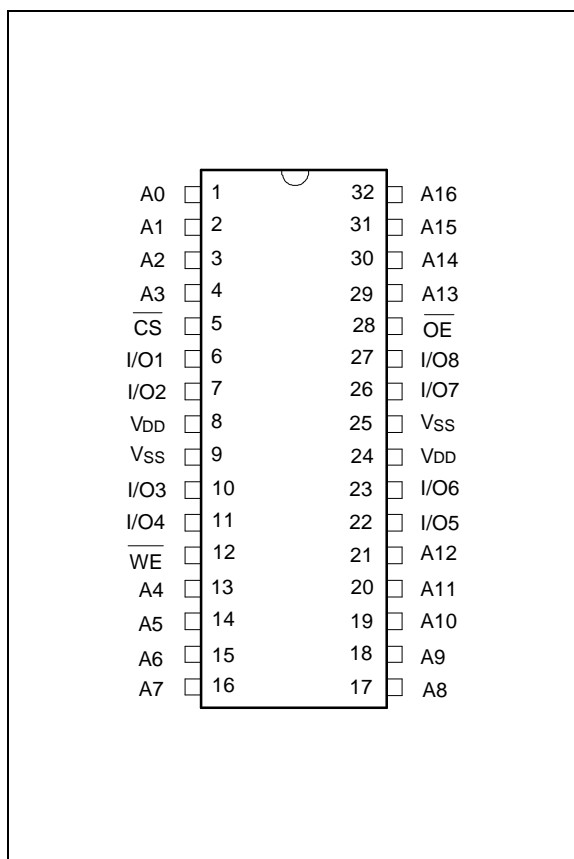
GENERAL DESCRIPTION

The W24L011A is a high speed, low power CMOS static RAM organized as 131072 × 8 bits that operates on a single 3.3-volt power supply. This device is manufactured using Winbond's high performance CMOS technology.

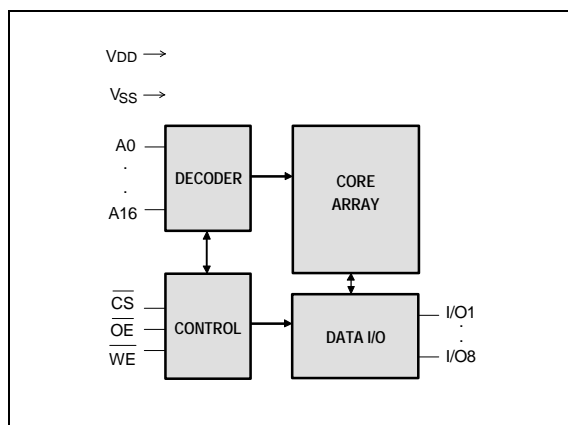
FEATURES

- High speed access time: 10/12/15 nS
- Single +3.3V power supply
- Center power/ground pin configuration
- Fully static operation
- All inputs and outputs directly TTL compatible
- Three-state outputs
- Available packages: 32-pin 300 mil and 400 mil SOJ

PIN CONFIGURATION



BLOCK DIAGRAM



PIN DESCRIPTION

SYMBOL	DESCRIPTION
A0-A16	Address Inputs
I/O1-I/O8	Data Inputs/Outputs
CS	Chip Select Inputs
WE	Write Enable Input
OE	Output Enable Input
VDD	Power Supply
VSS	Ground



TRUTH TABLE

$\overline{\text{CS}}$	$\overline{\text{OE}}$	$\overline{\text{WE}}$	MODE	I/O1- I/O8	V _{DD} CURRENT
H	X	X	Not Selected	High Z	I _{SB} , I _{SB1}
L	H	H	Output Disable	High Z	I _{DD}
L	L	H	Read	Data Out	I _{DD}
L	X	L	Write	Data In	I _{DD}

DC CHARACTERISTICS

Absolute Maximum Ratings

PARAMETER	RATING	UNIT
Supply Voltage to V _{SS} Potential	-0.5 to +4.6	V
Input/Output to V _{SS} Potential	-0.5 to V _{DD} +0.5	V
Allowable Power Dissipation	1.0	W
Storage Temperature	-65 to +150	°C
Operating Temperature	0 to +70	°C

Note: Exposure to conditions beyond those listed under Absolute Maximum Ratings may adversely affect the life and reliability of the device.

Operating Characteristics

(V_{DD} = 3.3V ±5%, V_{SS} = 0V, T_A = 0 to 70° C)

PARAMETER	SYM.	TEST CONDITIONS	MIN.	TYP.	MAX.	UNIT	
Input Low Voltage	V _{IL}	-	-0.5	-	0.8	V	
Input High Voltage	V _{IH}	-	+2.0	-	V _{DD} +0.5	V	
Input Leakage Current	I _{LI}	V _{IN} = V _{SS} to V _{DD}	-10	-	+10	μA	
Output Leakage Current	I _{LO}	V _{I/O} = V _{SS} to V _{DD} $\overline{\text{CS}}$ = V _{IH} (min.) or $\overline{\text{OE}}$ = V _{IH} (min.) or $\overline{\text{WE}}$ = V _{IL} (max.)	-10	-	+10	μA	
Output Low Voltage	V _{OL}	I _{OL} = +8.0 mA	-	-	0.4	V	
Output High Voltage	V _{OH}	I _{OH} = -4.0 mA	2.4	-	-	V	
Operating Power	I _{DD}	$\overline{\text{CS}}$ = V _{IL} (max.), I/O = 0 mA Cycle = min., Duty = 100%	10	-	-	130	mA
Supply Current			12	-	-	120	
			15	-	-	110	
Standby Power	I _{SB}	$\overline{\text{CS}}$ = V _{IH} (min.)	-	-	30	mA	
Supply Current	I _{SB1}	$\overline{\text{CS}}$ ≥ V _{DD} -0.2V	-	-	10	mA	

Note: Typical characteristics are at V_{DD} = 3.3V, T_A = 25° C.



CAPACITANCE

(V_{DD} = 3.3V, T_A = 25° C, f = 1 MHz)

PARAMETER	SYM.	CONDITIONS	MAX.	UNIT
Input Capacitance	C _{IN}	V _{IN} = 0V	8	pF
Input/Output Capacitance	C _{I/O}	V _{OUT} = 0V	10	pF

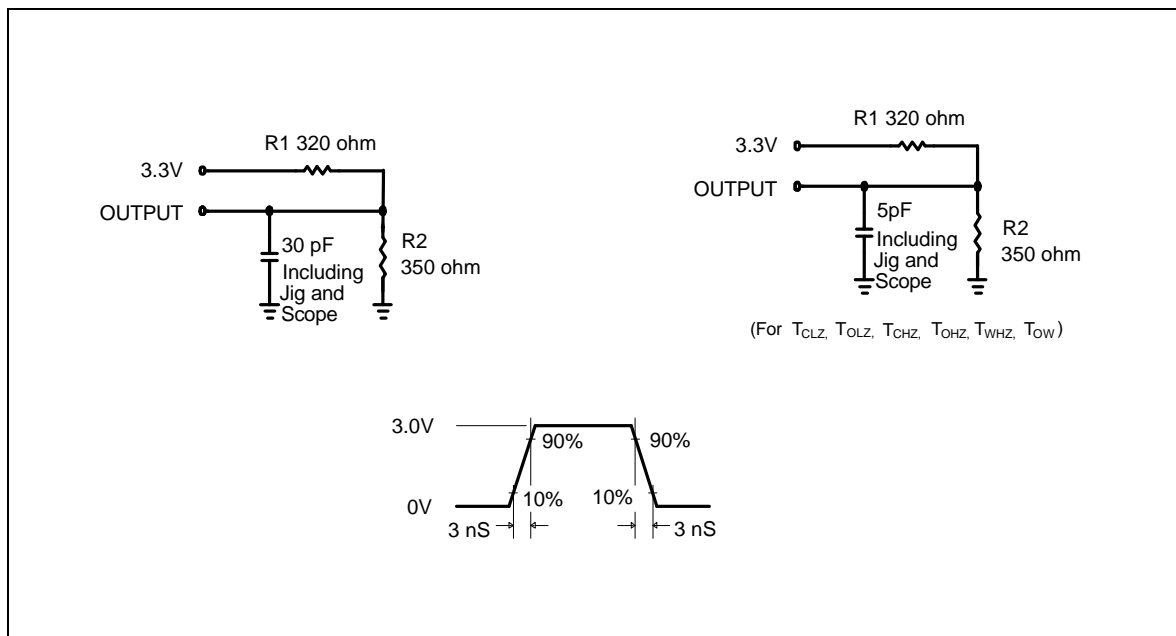
Note: These parameters are sampled but not 100% tested.

AC CHARACTERISTICS

AC Test Conditions

PARAMETER	CONDITIONS
Input Pulse Levels	0V to 3V
Input Rise and Fall Times	3 nS
Input and Output Timing Reference Level	1.5V
Output Load	CL = 30 pF, I _{OH} /I _{OL} = -4 mA/8 mA

AC Test Loads and Waveform



W24L011A



AC Characteristics, continued

(V_{DD} = 3.3V ±5%, V_{SS} = 0V, T_A = 0 to 70° C)

Read Cycle

PARAMETER	SYM.	W24L011A-10		W24L011A-12		W24L011A-15		UNIT
		MIN.	MAX.	MIN.	MAX.	MIN.	MAX.	
Read Cycle Time	TRC	10	-	12	-	15	-	nS
Address Access Time	TAA	-	10	-	12	-	15	nS
Chip Select Access Time	TACS	-	10	-	12	-	15	nS
Output Enable to Output Valid	TAOE	-	5	-	6	-	8	nS
Chip Selection to Output in Low Z	TCLZ	3	-	3	-	-	3	nS
Output Enable to Output in Low Z	TOLZ*	0	-	0	-	-	-	nS
Chip Deselection to Output in High Z	TCHZ	-	5	-	6	-	8	nS
Output Disable to Output in High Z	TOHZ*	-	5	-	6	-	8	nS
Output Hold from Address Change	TOH	3	-	3	-	3	-	nS

* These parameters are sampled but not 100% tested.

Write Cycle

PARAMETER	SYM.	W24L011A-10		W24L011A-12		W24L011A-15		UNIT
		MIN.	MAX.	MIN.	MAX.	MIN.	MAX.	
Write Cycle Time	TWC	10	-	12	-	15	-	nS
Chip Selection to End of Write	TCW	9	-	10	-	12	-	nS
Address Valid to End of Write	TAW	9	-	10	-	12	-	nS
Address Setup Time	TAS	0	-	0	-	0	-	nS
Write Pulse Width	TWP	9	-	10	-	12	-	nS
Write Recovery Time	TWR	0	-	0	-	0	-	nS
	CS, WE							
Data Valid to End of Write	TDW	5	-	7	-	9	-	nS
Data Hold from End of Write	TDH	0	-	0	-	0	-	nS
Write to Output in High Z	TWHZ*	-	5	-	6	-	8	nS
Output Disable to Output in High Z	TOHZ*	-	5	-	6	-	8	nS
Output Active from End of Write	TOW	0	-	0	-	0	-	nS

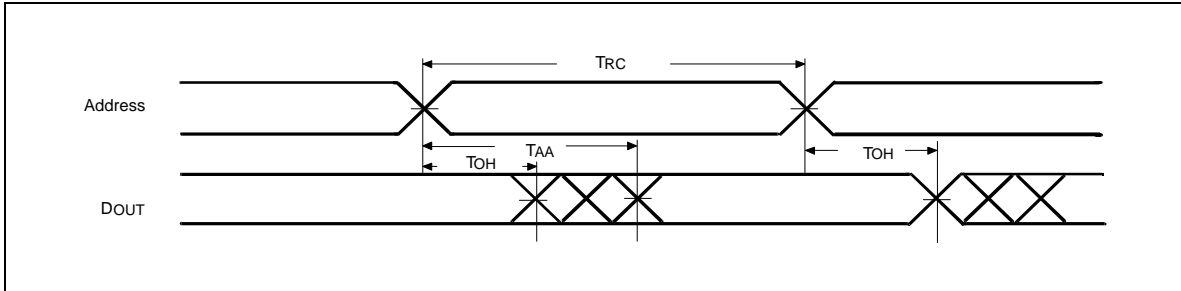
* These parameters are sampled but not 100% tested.



TIMING WAVEFORMS

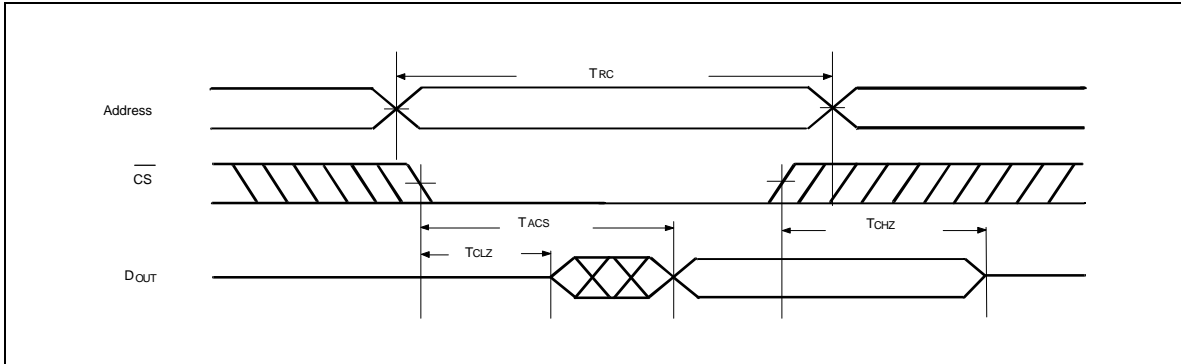
Read Cycle 1

(Address Controlled, $\overline{CS} = \overline{OE} = V_{IL}$, $\overline{WE} = V_{IH}$)



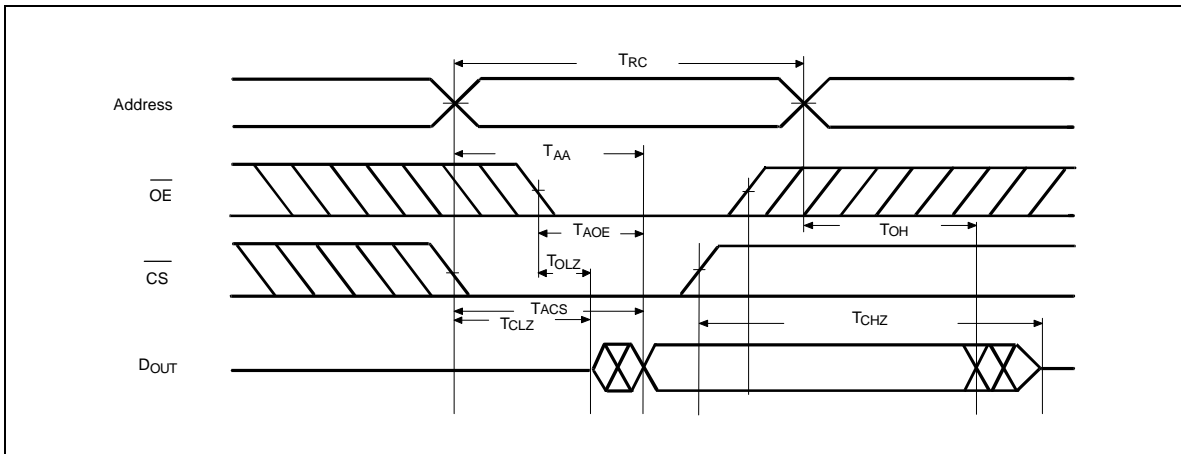
Read Cycle 2

(Chip Select Controlled)



Read Cycle 3

(Output Enable Controlled)

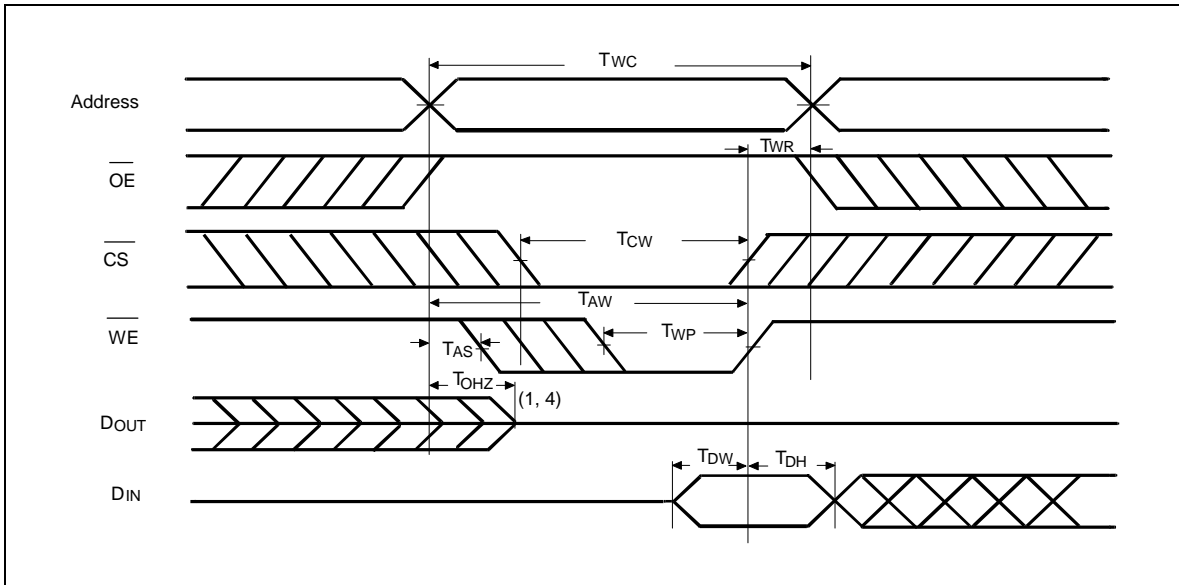




Timing Waveforms, continued

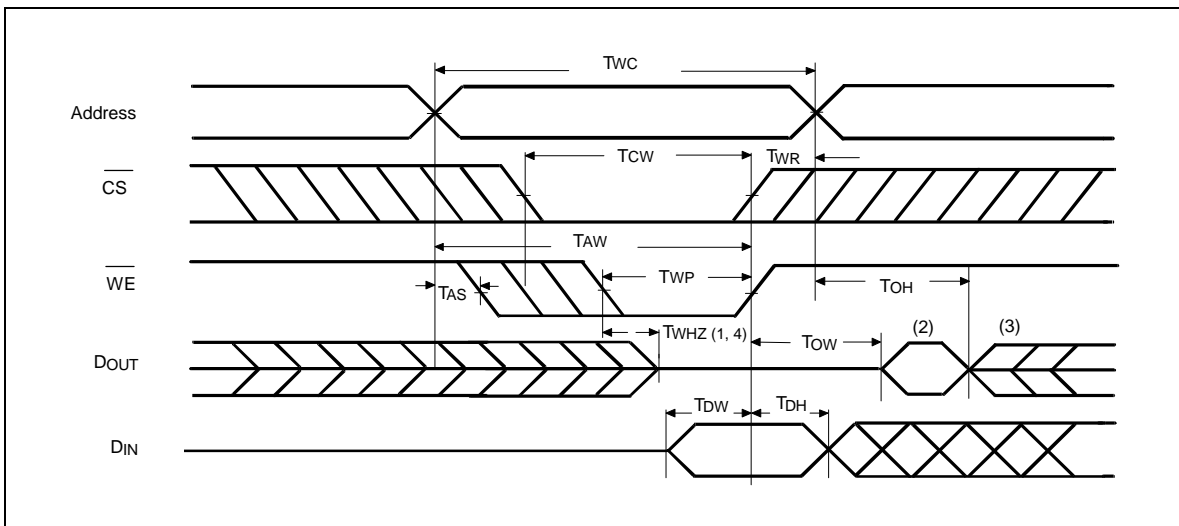
Write Cycle 1

($\overline{\text{OE}}$ Clock)



Write Cycle 2

($\overline{\text{OE}} = \text{VIL Fixed}$)



Notes:

1. During this period, I/O pins are in the output state, so input signals of opposite phase to the outputs should not be applied.
2. The data output from DOUT are the same as the data written to DIN during the write cycle.
3. DOUT provides the read data for the next address.
4. Transition is measured ± 200 mV from steady state with $C_L = 5$ pF. This parameter is guaranteed but not 100% tested.

W24L011A



ORDERING INFORMATION

PART NO.	ACCESS TIME (nS)	OPERATING CURRENT MAX. (mA)	STANDBY CURRENT MAX. (mA)	PACKAGE
W24L011AJ-10	10	130	10	300 mil SOJ
W24L011AJ-12	12	120	10	300 mil SOJ
W24L011AJ-15	15	110	10	300 mil SOJ
W24L011AI-10	10	130	10	400 mil SOJ
W24L011AI-12	12	120	10	400 mil SOJ
W24L011AI-15	15	110	10	400 mil SOJ

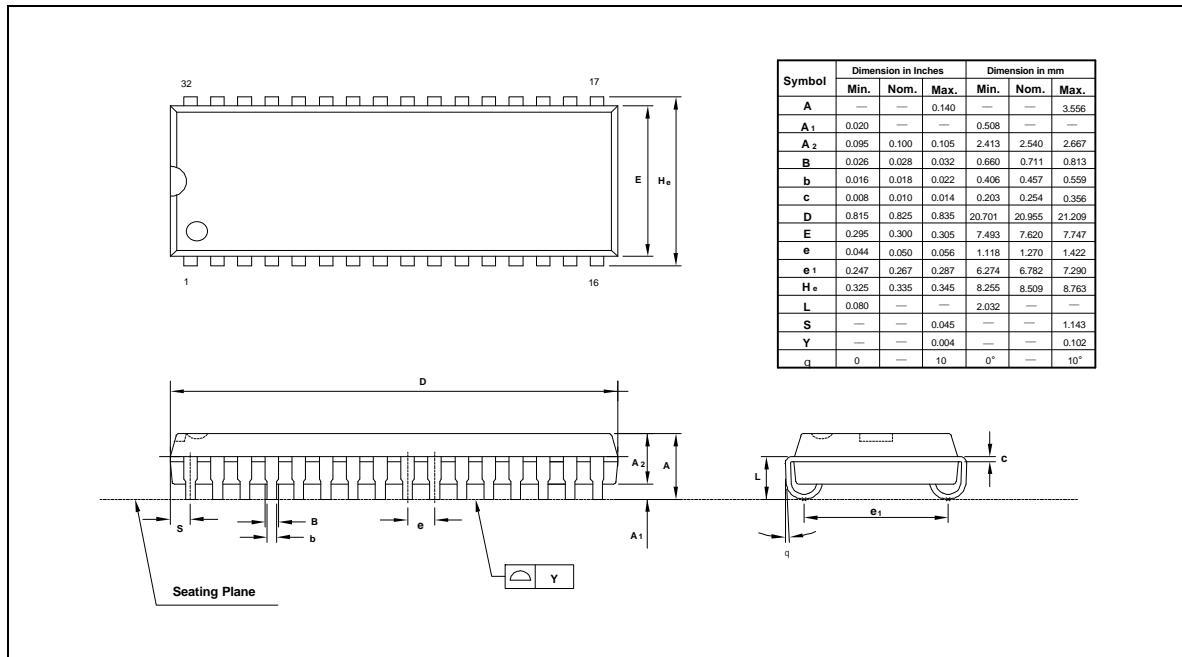
Notes:

1. Winbond reserves the right to make changes to its products without prior notice.
2. Purchasers are responsible for performing appropriate quality assurance testing on products intended for use in applications where personal injury might occur as a consequence of product failure.

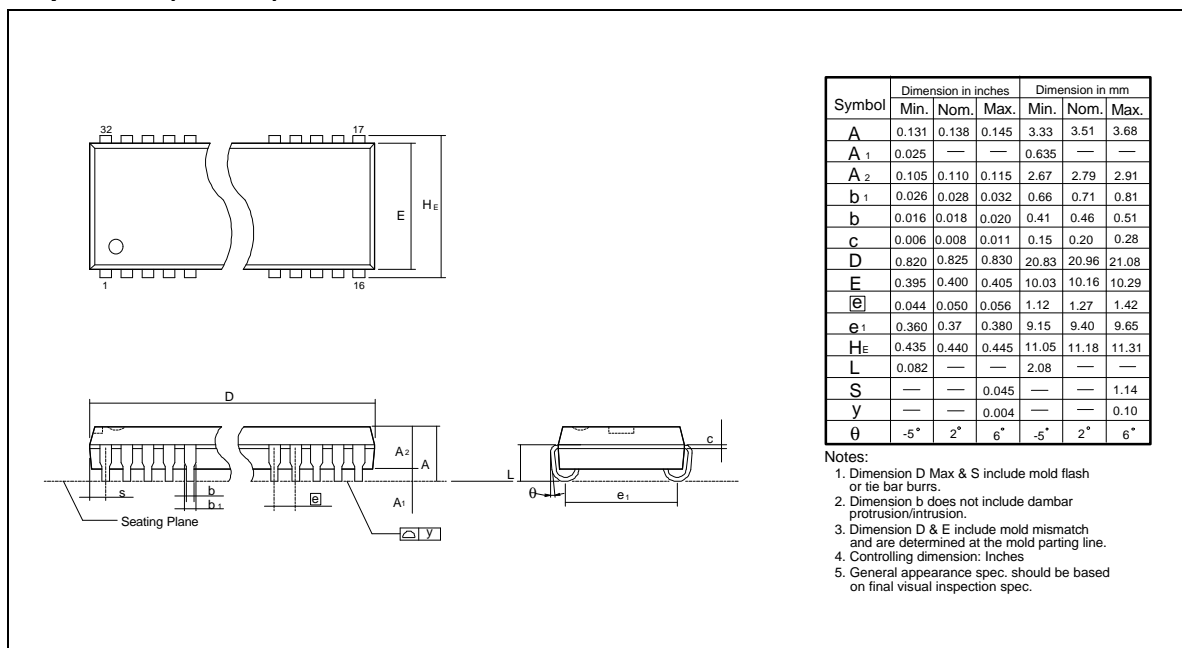


PACKAGE DIMENSIONS

32-pin SOJ (300 mil)



32-pin SOJ (400 mil)





VERSION HISTORY

VERSION	DATE	PAGE	DESCRIPTION
A1	August 1997		Initial Issued
A2	August 1999	1, 2, 4, 7	Add 15 nS specification



Headquarters

No. 4, Creation Rd. III,
Science-Based Industrial Park,
Hsinchu, Taiwan
TEL: 886-3-5770066
FAX: 886-3-5792647
<http://www.winbond.com.tw/>
Voice & Fax-on-demand: 886-2-7197006

Taipei Office

11F, No. 115, Sec. 3, Min-Sheng East Rd.,
Taipei, Taiwan
TEL: 886-2-7190505
FAX: 886-2-7197502

Winbond Electronics (H.K.) Ltd.

Rm. 803, World Trade Square, Tower II,
123 Hoi Bun Rd., Kwun Tong,
Kowloon, Hong Kong
TEL: 852-27513100
FAX: 852-27552064

Winbond Electronics North America Corp.

Winbond Memory Lab.
Winbond Microelectronics Corp.
Winbond Systems Lab.
2730 Orchard Parkway, San Jose,
CA 95134, U.S.A.
TEL: 1-408-9436666
FAX: 1-408-9436668

Note: All data and specifications are subject to change without notice.