



128K × 8 CMOS FLASH MEMORY

Table of Contents-

| | | |
|-------|---|----|
| 1. | GENERAL DESCRIPTION | 3 |
| 2. | FEATURES | 3 |
| 3. | PIN CONFIGURATIONS | 4 |
| 4. | BLOCK DIAGRAM | 4 |
| 5. | PIN DESCRIPTION..... | 4 |
| 6. | FUNCTIONAL DESCRIPTION | 5 |
| 6.1 | Device Bus Operation | 5 |
| 6.1.1 | Read Mode | 5 |
| 6.1.2 | Write Mode | 5 |
| 6.1.3 | Standby Mode | 5 |
| 6.1.4 | Output Disable Mode..... | 5 |
| 6.1.5 | Auto-select Mode..... | 5 |
| 6.2 | Data Protection | 6 |
| 6.2.1 | Boot Block Operation..... | 6 |
| 6.2.2 | Write Pulse "Glitch" Protection | 6 |
| 6.2.3 | Logical Inhibit | 6 |
| 6.2.4 | Power-up Write Inhibit | 6 |
| 6.3 | Command Definitions | 7 |
| 6.3.1 | Read Command | 7 |
| 6.3.2 | Auto-select Command | 7 |
| 6.3.3 | Byte Program Command | 7 |
| 6.3.4 | Chip Erase Command | 8 |
| 6.3.5 | Page Erase Command | 8 |
| 6.4 | Write Operation Status | 9 |
| 6.4.1 | DQ7: Data Polling..... | 9 |
| 6.4.2 | DQ6: Toggle Bit..... | 9 |
| 7. | TABLE OF OPERATING MODES | 10 |
| 7.1 | Device Bus Operations | 10 |
| 7.2 | Auto-select Codes (High Voltage Method) | 10 |
| 7.3 | Command Definitions | 11 |
| 7.4 | Embedded Programming Algorithm | 12 |
| 7.5 | Embedded Erase Algorithm..... | 13 |
| 7.6 | Embedded #Data Polling Algorithm..... | 14 |
| 7.7 | Embedded Toggle Bit Algorithm | 14 |

| | | |
|------|--|----|
| 7.8 | Boot Block Lockout Enable Flow Chart | 15 |
| 7.9 | Software Product Identification and Boot Block Lockout Detection Flow Chart..... | 16 |
| 8. | ELECTRICAL CHARACTERISTICS | 17 |
| 8.1 | Absolute maximum Ratings | 17 |
| 8.2 | DC Operating Characteristics | 17 |
| 8.3 | Pin Capacitance..... | 17 |
| 8.4 | AC Test Conditions..... | 18 |
| 8.5 | AC Test Load and Waveform | 18 |
| 8.6 | Read Cycle Timing Parameters..... | 19 |
| 8.7 | Write Cycle Timing Parameters | 19 |
| 8.8 | Power-up Timing..... | 20 |
| 8.9 | Data Polling and Toggle Bit Timing Parameters | 20 |
| 9. | TIMING WAVEFORMS | 21 |
| 9.1 | Read Cycle Timing Diagram..... | 21 |
| 9.2 | #WE Controlled Command Write Cycle Timing Diagram..... | 21 |
| 9.3 | #CE Controlled Command Write Cycle Timing Diagram..... | 22 |
| 9.4 | Chip Erase Timing Diagram | 22 |
| 9.5 | Page Erase Timing Diagram | 23 |
| 9.6 | #DATA Polling Timing Diagram..... | 23 |
| 9.7 | Toggle Bit Timing Diagram | 24 |
| 10. | ORDERING INFORMATION | 25 |
| 11. | HOW TO READ THE TOP MARKING | 25 |
| 12. | PACKAGE DIMENSIONS..... | 26 |
| 12.1 | 32-pin PLCC | 26 |
| 12.2 | 32-pin STSOP (8 x 14 mm) | 26 |
| 13. | VERSION HISTORY | 27 |

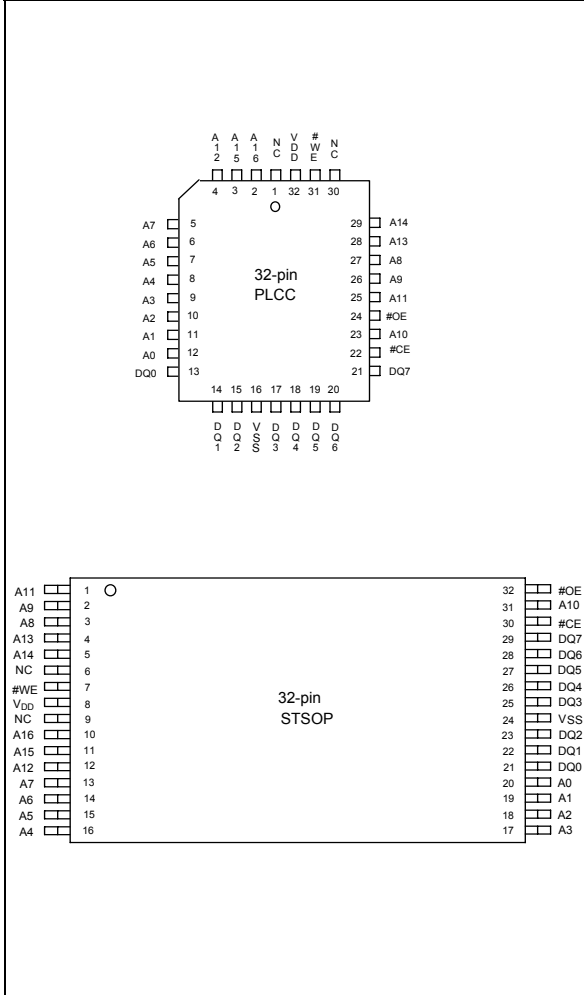
1. GENERAL DESCRIPTION

The W39L010 is a 1Mbit, 3.3-volt only CMOS flash memory organized as 128K × 8 bits. For flexible erase capability, the 1Mbits of data are divided into 32 small even pages with 4 Kbytes. The byte-wide (× 8) data appears on DQ7 – DQ0. The device can be programmed and erased in-system with a standard 3.3V power supply. A 12-volt V_{PP} is not required. The unique cell architecture of the W39L010 results in fast program/erase operations with extremely low current consumption (compared to other comparable 3.3-volt flash memory products). The device can also be programmed and erased by using standard EPROM programmers.

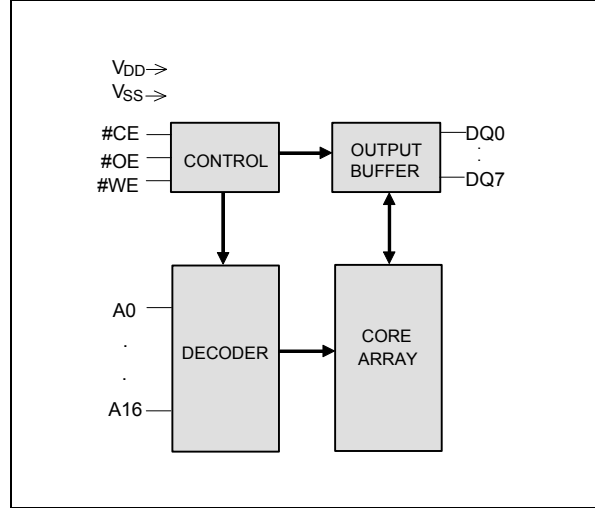
2. FEATURES

- Single 3.3-volt operations
 - 3.3-volt Read
 - 3.3-volt Erase
 - 3.3-volt Program
- Fast Program operation:
 - Byte-by-Byte programming: 50 μS (max.)
- Fast Erase operation: 200 mS (max.)
- Read access time: 70/90 nS
- 32 even pages with 4K bytes
- Any individual page can be erased
- Hardware protection:
 - Optional 8K byte Top/Bottom Boot Block with lockout protection
- Flexible 4K-page size can be used as Parameter Blocks
- Typical program/erase cycles:
 - 1K/10K
- Twenty-year data retention
- Low power consumption
 - Active current: 20 mA (typ.)
 - Standby current: 15 μA (typ.)
- End of program detection
 - Software method: Toggle bit/Data polling
- TTL compatible I/O
- JEDEC standard byte-wide pinouts
- Available packages: 32-pin PLCC and 32-pin STSOP (8 x 14 mm)

3. PIN CONFIGURATIONS



4. BLOCK DIAGRAM



5. PIN DESCRIPTION

| SYMBOL | PIN NAME |
|-----------|---------------------|
| A0 – A16 | Address Inputs |
| DQ0 – DQ7 | Data Inputs/Outputs |
| #CE | Chip Enable |
| #OE | Output Enable |
| #WE | Write Enable |
| VDD | Power Supply |
| VSS | Ground |
| NC | No Connections |



6. FUNCTIONAL DESCRIPTION

6.1 Device Bus Operation

6.1.1 Read Mode

The read operation of the W39L010 is controlled by #CE and #OE, both of which have to be low for the host to obtain data from the outputs. #CE is used for device selection. When #CE is high, the chip is de-selected and only standby power will be consumed. #OE is the output control and is used to gate data from the output pins. The data bus is in high impedance state when either #CE or #OE is high. Refer to the timing waveforms for further details.

6.1.2 Write Mode

Device erasure and programming are accomplished via the command register. The contents of the register serve as inputs to the internal state machine. The state machine outputs dictate the function of the device.

The command register itself does not occupy any addressable memory location. The register is a latch used to store the commands, along with the address and data information needed to execute the command. The command register is written to bring #WE to logic low state, while #CE is at logic low state and #OE is at logic high state. Addresses are latched on the falling edge of #WE or #CE, whichever happens later; while data is latched on the rising edge of #WE or #CE, whichever happens first. Standard microprocessor write timings are used.

Refer to AC Write Characteristics and the Erase/Programming Waveforms for specific timing parameters.

6.1.3 Standby Mode

There are two ways to implement the standby mode on the W39L010 device, both using the #CE pin.

A CMOS standby mode is achieved with the #CE input held at $V_{DD} \pm 0.3V$. Under this condition the current is typically reduced to less than 20 μA . A TTL standby mode is achieved with the #CE pin held at V_{IH} .

Under this condition the current is typically reduced to 2 mA.

In the standby mode the outputs are in the high impedance state, independent of the #OE input.

6.1.4 Output Disable Mode

With the #OE input at a logic high level (V_{IH}), output from the device is disabled. This will cause the output pins to be in a high impedance state.

6.1.5 Auto-select Mode

The auto-select mode allows the reading of a binary code from the device and will identify its manufacturer and type. This mode is intended for use by programming equipment for the purpose of automatically matching the device to be programmed with its corresponding programming algorithm. This mode is functional over the entire temperature range of the device.

To activate this mode, the programming equipment must force V_{ID} (11.5V to 12.5V) on address pin A9. Two identifier bytes may then be sequenced from the device outputs by toggling address A0 from V_{IL} to V_{IH} . All addresses are don't cares except A0 and A1 (see "Auto-select Codes").



The manufacturer and device codes may also be read via the command register, for instance, when the W39L010 is erased or programmed in a system without access to high voltage on the A9 pin. The command sequence is illustrated in "Auto-select Codes".

Byte 0 (A0 = V_{IL}) represents the manufacturer's code (Winbond = DAH) and byte 1 (A0 = V_{IH}) the device identifier code (W39L010 = 31H). All identifiers for manufacturer and device will exhibit odd parity with DQ7 defined as the parity bit. In order to read the proper device codes when executing the Auto-select, A1 must be low state.

6.2 Data Protection

The W39L010 is designed to offer protection against accidental erasure or programming caused by spurious system level signals that may exist during power transitions. During power up the device automatically resets the internal state machine in the Read mode. Also, with its control register architecture, alteration of the memory contents only occurs after successful completion of specific multi-bus cycle command sequences. The device also incorporates several features to prevent inadvertent write cycles resulting from VDD power-up and power-down transitions or system noise.

6.2.1 Boot Block Operation

There are two alternatives to set the boot block. The 8K-byte in the top/bottom location of this device can be locked as boot block, which can be used to store boot codes. It is located in the last 8K bytes or first 8K bytes of the memory with the address range from 1E000(hex) to 1FFFF(hex) for top location or 00000(hex) to 01FFF(hex) for bottom location.

See Command Codes for Boot Block Lockout Enable for the specific code. Once this feature is set the data for the designated block cannot be erased or programmed (programming lockout), other memory locations can be changed by the regular programming method.

In order to detect whether the boot block feature is set on the first/last 8K-byte block or not, users can perform software command sequence: enter the product identification mode (see Command Codes for Identification/Boot Block Lockout Detection for specific code), and then read from address 0002(hex) for first(bottom) location or 1FFF2(hex) for last(top) location. If the DQ0/DQ1 of output data is "1," the 8Kbytes boot block programming lockout feature will be activated; if the DQ0/DQ1 of output data is "0," the lockout feature will be inactivated and the block can be erased/programmed.

To return to normal operation, perform a three-byte command sequence (or an alternate single-byte command) to exit the identification mode. For the specific code, see Command Codes for Identification/Boot Block Lockout Detection.

6.2.2 Write Pulse "Glitch" Protection

Noise pulses of less than 10 nS (typical) on #OE, #CE, or #WE will not initiate a write cycle.

6.2.3 Logical Inhibit

Writing is inhibited by holding any one of #OE = V_{IL}, #CE = V_{IH}, or #WE = V_{IH}. To initiate a write cycle #CE and #WE must be a logical zero while #OE is a logical one.

6.2.4 Power-up Write Inhibit

Power-up of the device with #WE = #CE = V_{IL} and #OE = V_{IH} will not accept commands on the rising edge of #WE except 5mS delay (see the power up timing in AC Characteristics). The internal state machine is automatically reset to the read mode on power-up.



6.3 Command Definitions

Device operations are selected by writing specific address and data sequences into the command register. Writing incorrect address and data values or writing them in the improper sequence will reset the device to the read mode. "Command Definitions" defines the valid register command sequences.

6.3.1 Read Command

The device will automatically power-up in the read state. In this case, a command sequence is not required to read data. Standard microprocessor read cycles will retrieve array data. This default value ensures that no spurious alteration of the memory content occurs during the power transition.

The device will automatically return to read state after completing an Embedded Program or Embedded Erase algorithm.

Refer to the AC Read Characteristics and Waveforms for the specific timing parameters.

6.3.2 Auto-select Command

Flash memories are intended for use in applications where the local CPU can alter memory contents. As such, manufacture and device codes must be accessible while the device resides in the target system. PROM programmers typically access the signature codes by raising A9 to a high voltage. However, multiplexing high voltage onto the address lines is not generally a desirable system design practice.

The device contains an auto-select command operation to supplement traditional PROM programming methodology. The operation is initiated by writing the auto-select command sequence into the command register. Following the command write, a read cycle from address XX00H retrieves the manufacture code of DAH. A read cycle from address XX01H returns the device code (W39L010 = 31H).

To terminate the operation, it is necessary to write the auto-select exit command sequence into the register.

6.3.3 Byte Program Command

The device is programmed on a byte-by-byte basis. Programming is a four-bus-cycle operation. The program command sequence is initiated by writing two "unlock" write cycles, followed by the program set-up command. The program address and data are written next, which in turn initiate the Embedded program algorithm. Addresses are latched on the falling edge of #CE or #WE, whichever happens later and the data is latched on the rising edge of #CE or #WE, whichever happens first. The rising edge of #CE or #WE (whichever happens first) begins programming using the Embedded Program Algorithm. Upon executing the algorithm, the system is not required to provide further controls or timings. The device will automatically provide adequate internally generated program pulses and verify the programmed cell margin.

The automatic programming operation is completed when the data on DQ7 (also used as Data Polling) is equivalent to the data written to this bit at which time the device returns to the read mode and addresses are no longer latched (see "Hardware Sequence Flags"). Therefore, the device requires that a valid address to the device be supplied by the system at this particular instance of time for Data Polling operations. Data Polling must be performed at the memory location which is being programmed.



Any commands written to the chip during the Embedded Program Algorithm will be ignored. If a hardware reset occurs during the programming operation, the data at that particular location will be corrupted.

Programming is allowed in any sequence and across page boundaries. Beware that a data "0" cannot be programmed back to a "1". Attempting to program 0 back to 1, the toggle bit will stop toggling. Only erase operations can convert "0"s to "1"s.

Refer to the Programming Command Flow Chart using typical command strings and bus operations.

6.3.4 Chip Erase Command

Chip erase is a six-bus-cycle operation. There are two "unlock" write cycles, followed by writing the "set-up" command. Two more "unlock" write cycles are asserted, followed by the chip erase command.

Chip erase does not require the user to program the device prior to erase. Upon executing the Embedded Erase Algorithm command sequence the device will automatically erase and verify the entire memory for an all one data pattern. The erase is performed sequentially on each pages at the same time (see "Feature"). The system is not required to provide any controls or timings during these operations.

The automatic erase begins on the rising edge of the last #WE pulse in the command sequence and terminates when the data on DQ7 is "1" at which time the device returns to read the mode.

Refer to the Erase Command Flow Chart using typical command strings and bus operations.

6.3.5 Page Erase Command

page erase is a six bus cycles operation. There are two "unlock" write cycles, followed by writing the "set-up" command. Two more "unlock" write cycles then follows by the page erase command. The page address (any address location within the desired page) is latched on the falling edge of #WE, while the command (50H) is latched on the rising edge of #WE.

Page erase does not require the user to program the device prior to erase. When erasing a page, the remaining unselected pages are not affected. The system is not required to provide any controls or timings during these operations.

The automatic page erase begins after the erase command is completed, right from the rising edge of the #WE pulse for the last page erase command pulse and terminates when the data on DQ7, Data Polling, is "1" at which time the device returns to the read mode. Data Polling must be performed at an address within any of the pages being erased.

Refer to the Erase Command flow Chart using typical command strings and bus operations.



6.4 Write Operation Status

6.4.1 DQ7: Data Polling

The W39L010 device features Data Polling as a method to indicate to the host that the embedded algorithms are in progress or completed.

During the Embedded Program Algorithm, an attempt to read the device will produce the complement of the data last written to DQ7. Upon completion of the Embedded Program Algorithm, an attempt to read the device will produce the true data last written to DQ7.

During the Embedded Erase Algorithm, an attempt to read the device will produce a "0" at the DQ7 output. Upon completion of the Embedded Erase Algorithm, an attempt to read the device will produce a "1" at the DQ7 output.

For chip erase, the Data Polling is valid after the rising edge of the sixth pulse in the six #WE write pulse sequences. For page erase, the Data Polling is valid after the last rising edge of the page erase #WE pulse. Data Polling must be performed at addresses within any of the pages being erased. Otherwise, the status may not be valid.

Just prior to the completion of Embedded Algorithm operations DQ7 may change asynchronously while the output enable (#OE) is asserted low. This means that the device is driving status information on DQ7 at one instant of time and then that byte's valid data at the next instant of time. Depending on when the system samples the DQ7 output, it may read the status or valid data. Even if the device has completed the Embedded Algorithm operations and DQ7 has a valid data, the data outputs on DQ0 – DQ6 may be still invalid. The valid data on DQ0 – DQ7 will be read on the successive read attempts.

The Data Polling feature is only active during the Embedded Programming Algorithm, Embedded Erase Algorithm, or page erase time-out (see "Command Definitions").

6.4.2 DQ6: Toggle Bit

The W39L010 also features the "Toggle Bit" as a method to indicate to the host system that the embedded algorithms are in progress or completed.

During an Embedded Program or Erase Algorithm cycle, successive attempts to read (#OE toggling) data from the device at any address will result in DQ6 toggling between one and zero. Once the Embedded Program or Erase Algorithm cycle is completed, DQ6 will stop toggling and valid data will be read on the next successive attempt. During programming, the Toggle Bit is valid after the rising edge of the fourth #WE pulse in the four write pulse sequence. For chip erase, the Toggle Bit is valid after the rising edge of the sixth #WE pulse in the six write pulse sequence. For page erase, the Toggle Bit is valid after the last rising edge of the page erase #WE pulse. The Toggle Bit is active during the page erase time-out.

Either #CE or #OE toggling will cause DQ6 to toggle.



7. TABLE OF OPERATING MODES

7.1 Device Bus Operations

(VID = 12 ±0.5V)

| MODE | PIN | | | | | | |
|------------------------------|-----|-----|-----|-----|-----|-----|-------------|
| | #CE | #OE | #WE | A0 | A1 | A9 | DQ0 – DQ7 |
| Read | VIL | VIL | VIH | A0 | A1 | A9 | Dout |
| Write | VIL | VIH | VIL | A0 | A1 | A9 | Din |
| Standby | VIH | X | X | X | X | X | High Z |
| Write Inhibit | X | VIL | X | X | X | X | High Z/Dout |
| | X | X | VIH | X | X | X | High Z/Dout |
| Output Disable | VIL | VIH | VIH | X | X | X | High Z |
| Auto select Manufacturers ID | VIL | VIL | VIH | VIL | VIL | VID | DA(hex) |
| Auto select Device ID | VIL | VIL | VIH | VIH | VIL | VID | 31(hex) |

7.2 Auto-select Codes (High Voltage Method)

(VID = 12 ±0.5V)

| DESCRIPTION | #CE | #OE | #WE | A9 | THE OTHER ADDRESS | DQ[7:0] |
|--------------------------|-----|-----|-----|-----|---------------------------|---------|
| Manufacturer ID: Winbond | VIL | VIL | VIH | VID | All Add = VIL | DA(hex) |
| Device ID: W39L010 | VIL | VIL | VIH | VID | A1 = VIH, All other = VIL | 31(hex) |



7.3 Command Definitions

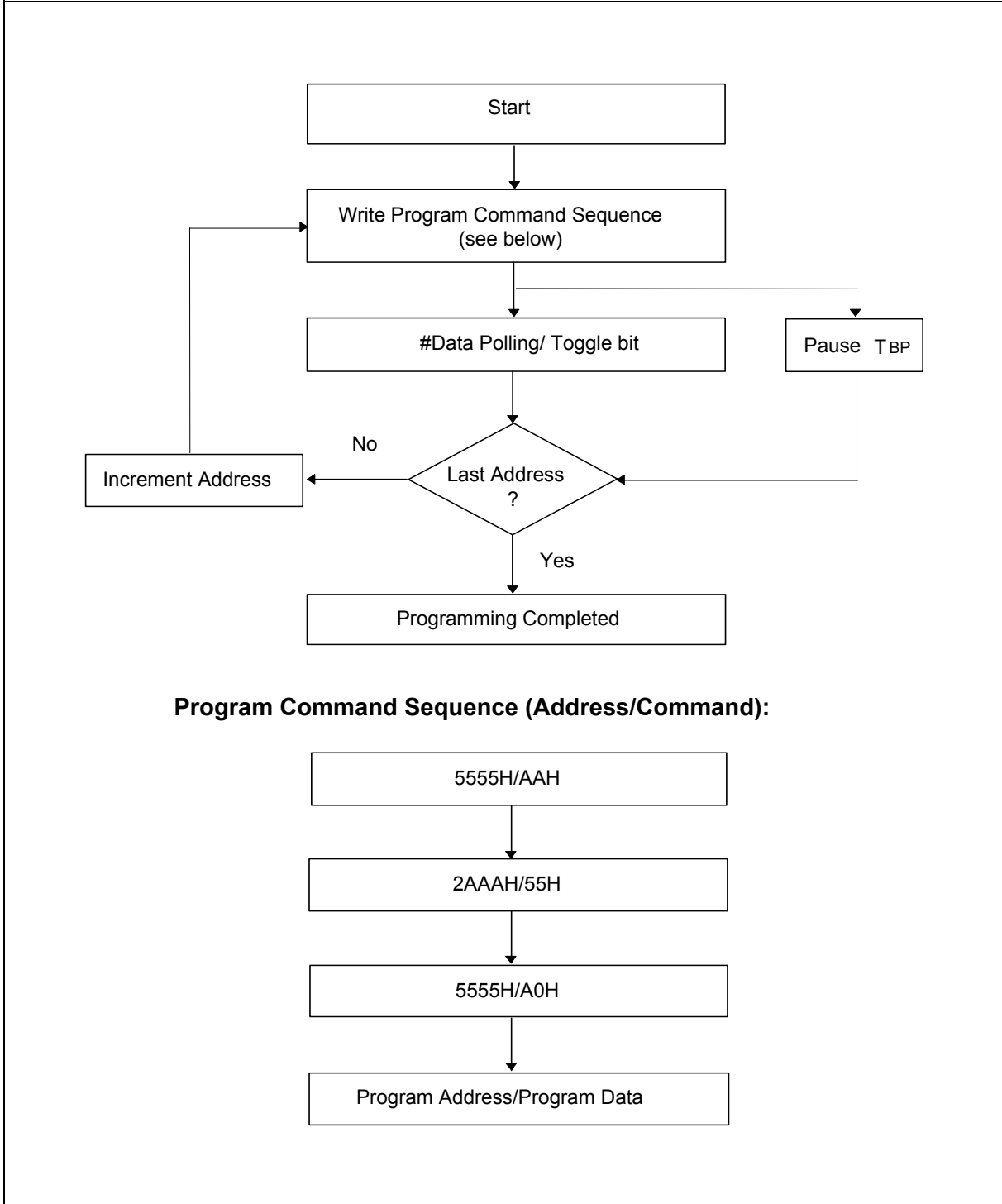
| COMMAND DESCRIPTION | NO.OF Cycles | 1ST CYCLE | 2ND CYCLE | 3RD CYCLE | 4TH CYCLE | 5TH CYCLE | 6TH CYCLE | 7TH CYCLE |
|------------------------------------|-----------------|----------------------------------|------------|------------|---------------------------------|------------|----------------------|-------------------------|
| | | Addr. ⁽¹⁾ Data | Addr. Data | Addr. Data | Addr. Data | Addr. Data | Addr. Data | Addr. Data |
| Read | 1 | A _{IN} D _{OUT} | | | | | | |
| Chip Erase | 6 | 5555 AA | 2AAA 55 | 5555 80 | 5555 AA | 2AAA 55 | 5555 10 | |
| Page Erase | 6 | 5555 AA | 2AAA 55 | 5555 80 | 5555 AA | 2AAA 55 | PA ⁽³⁾ 50 | |
| Byte Program | 4 | 5555 AA | 2AAA 55 | 5555 A0 | A _{IN} D _{IN} | | | |
| Top Boot Block Lockout –8KByte | 6 | 5555 AA | 2AAA 55 | 5555 80 | 5555 AA | 2AAA 55 | 5555 70 | 1FFFF XX ⁽⁴⁾ |
| Bottom Boot Block Lockout - 8KByte | 6 | 5555 AA | 2AAA 55 | 5555 80 | 5555 AA | 2AAA 55 | 5555 70 | 00000 XX ⁽⁴⁾ |
| Product ID Entry | 3 | 5555 AA | 2AAA 55 | 5555 90 | | | | |
| Product ID Exit ⁽²⁾ | 3 | 5555 AA | 2AAA 55 | 5555 F0 | | | | |
| Product ID Exit ⁽²⁾ | 1 | XXXX F0 | | | | | | |

Notes:

1. Address Format: A14 – A0 (Hex); Data Format: DQ7 – DQ0 (Hex)
2. Either one of the two Product ID Exit commands can be used.
3. PA: Page Address

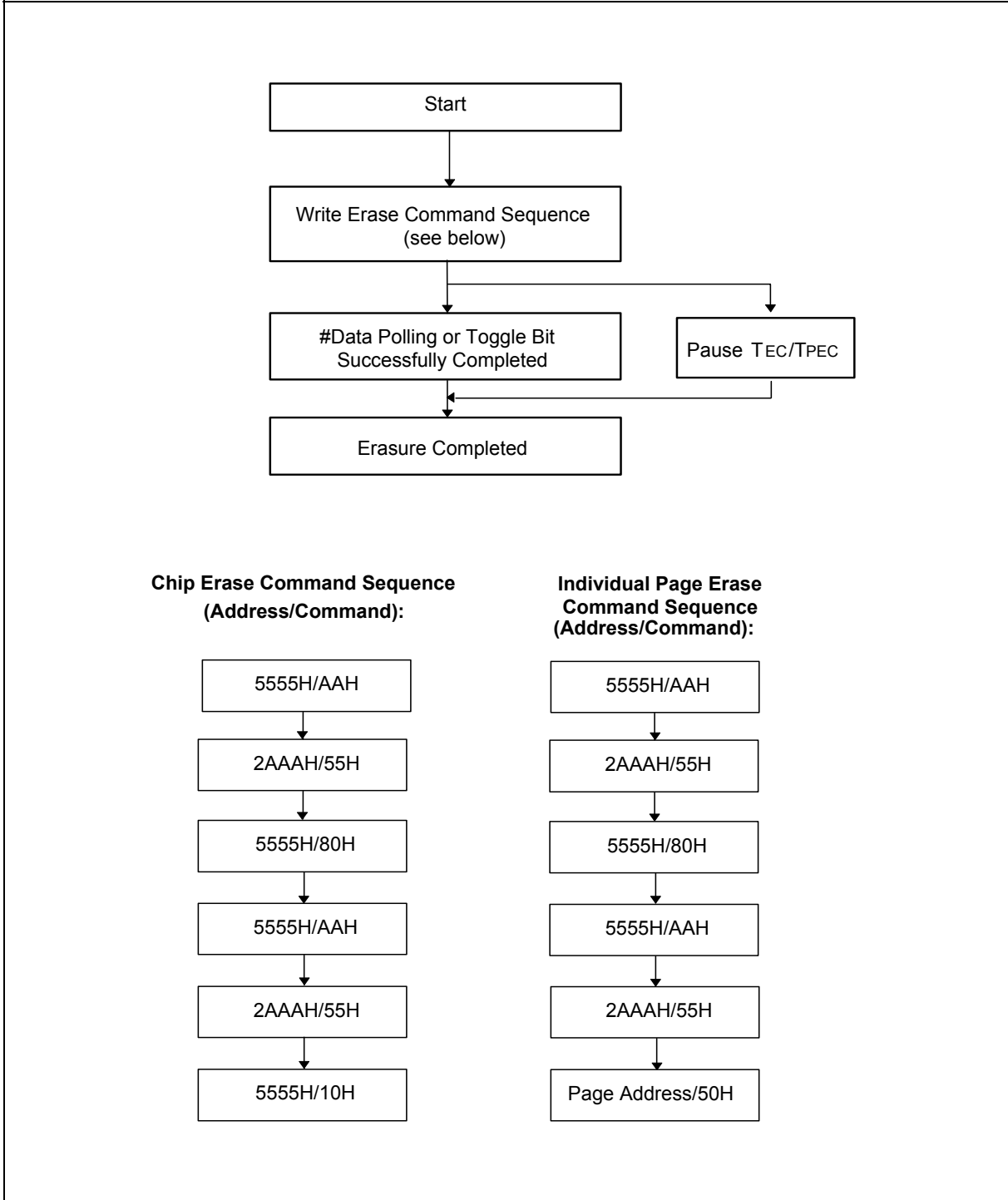
| | |
|-------------------------|-------------------------|
| PA = 1FXXXh for Page 31 | PA = 0FXXXh for Page 15 |
| PA = 1EXXXh for Page 30 | PA = 0EXXXh for Page 14 |
| PA = 1DXXXh for Page 29 | PA = 0DXXXh for Page 13 |
| PA = 1CXXXh for Page 28 | PA = 0CXXXh for Page 12 |
| PA = 1BXXXh for Page 27 | PA = 0BXXXh for Page 11 |
| PA = 1AXXXh for Page 26 | PA = 0AXXXh for Page 10 |
| PA = 19XXXh for Page 25 | PA = 09XXXh for Page 9 |
| PA = 18XXXh for Page 24 | PA = 08XXXh for Page 8 |
| PA = 17XXXh for Page 23 | PA = 07XXXh for Page 7 |
| PA = 16XXXh for Page 22 | PA = 06XXXh for Page 6 |
| PA = 15XXXh for Page 21 | PA = 05XXXh for Page 5 |
| PA = 14XXXh for Page 20 | PA = 04XXXh for Page 4 |
| PA = 13XXXh for Page 19 | PA = 03XXXh for Page 3 |
| PA = 12XXXh for Page 18 | PA = 02XXXh for Page 2 |
| PA = 11XXXh for Page 17 | PA = 01XXXh for Page 1 |
| PA = 10XXXh for Page 16 | PA = 00XXXh for Page 0 |
4. XX: Don't care

7.4 Embedded Programming Algorithm



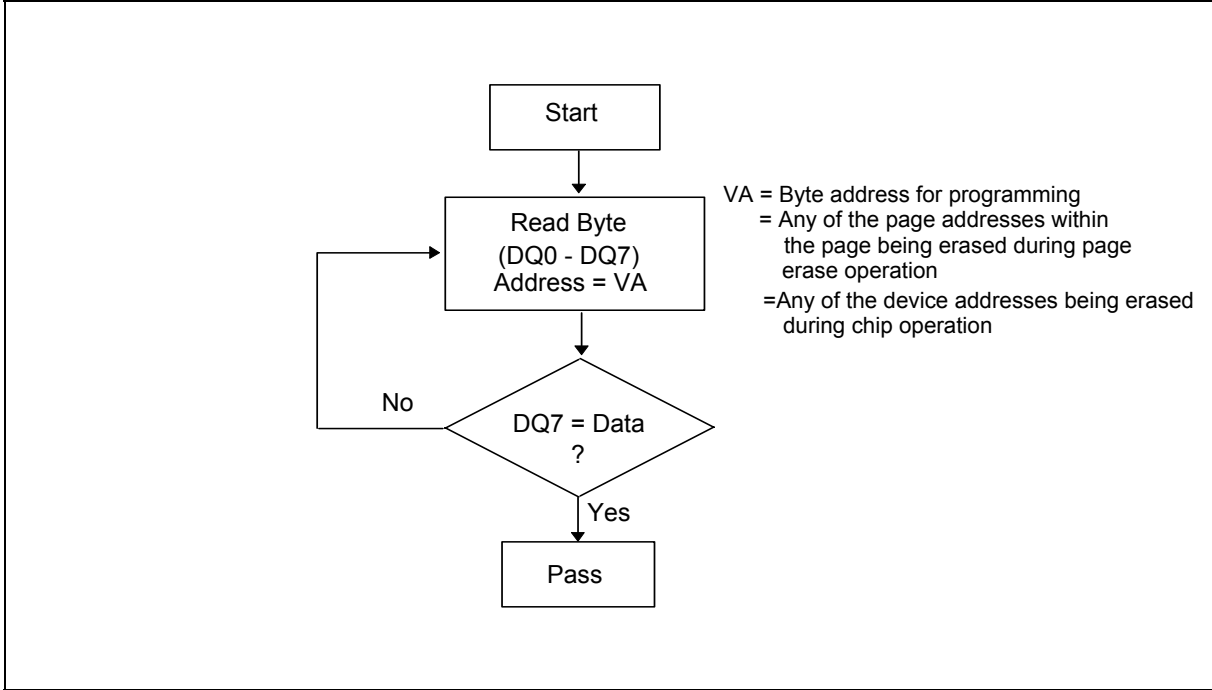


7.5 Embedded Erase Algorithm

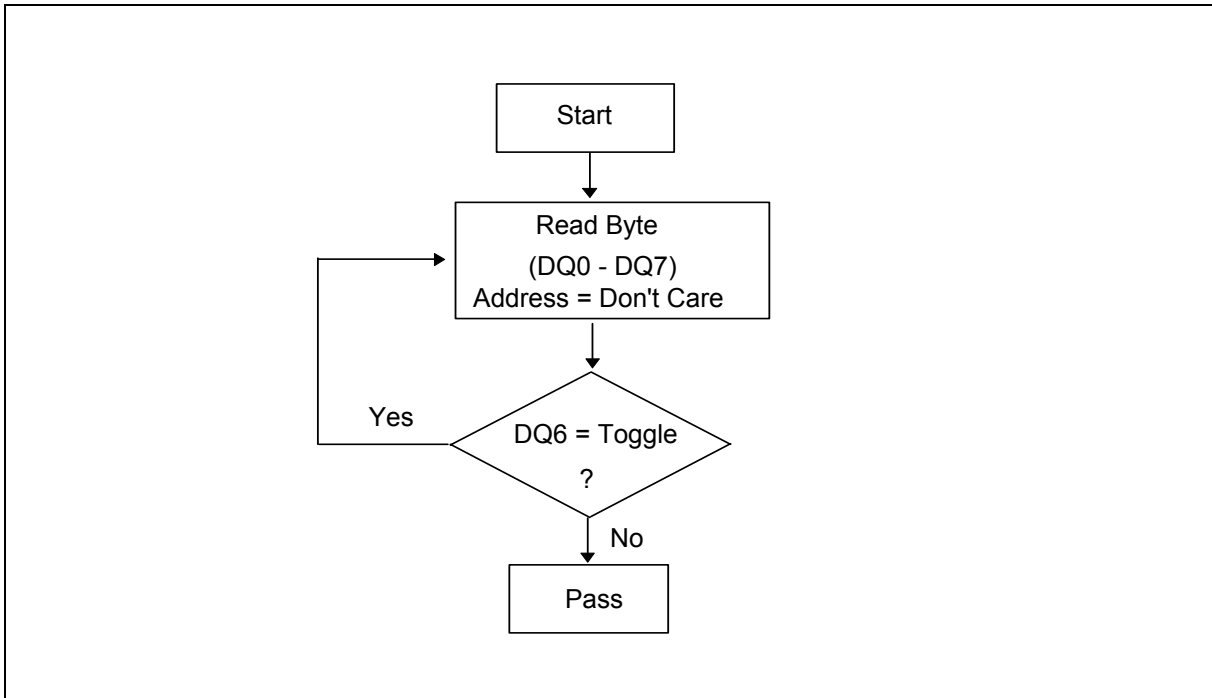




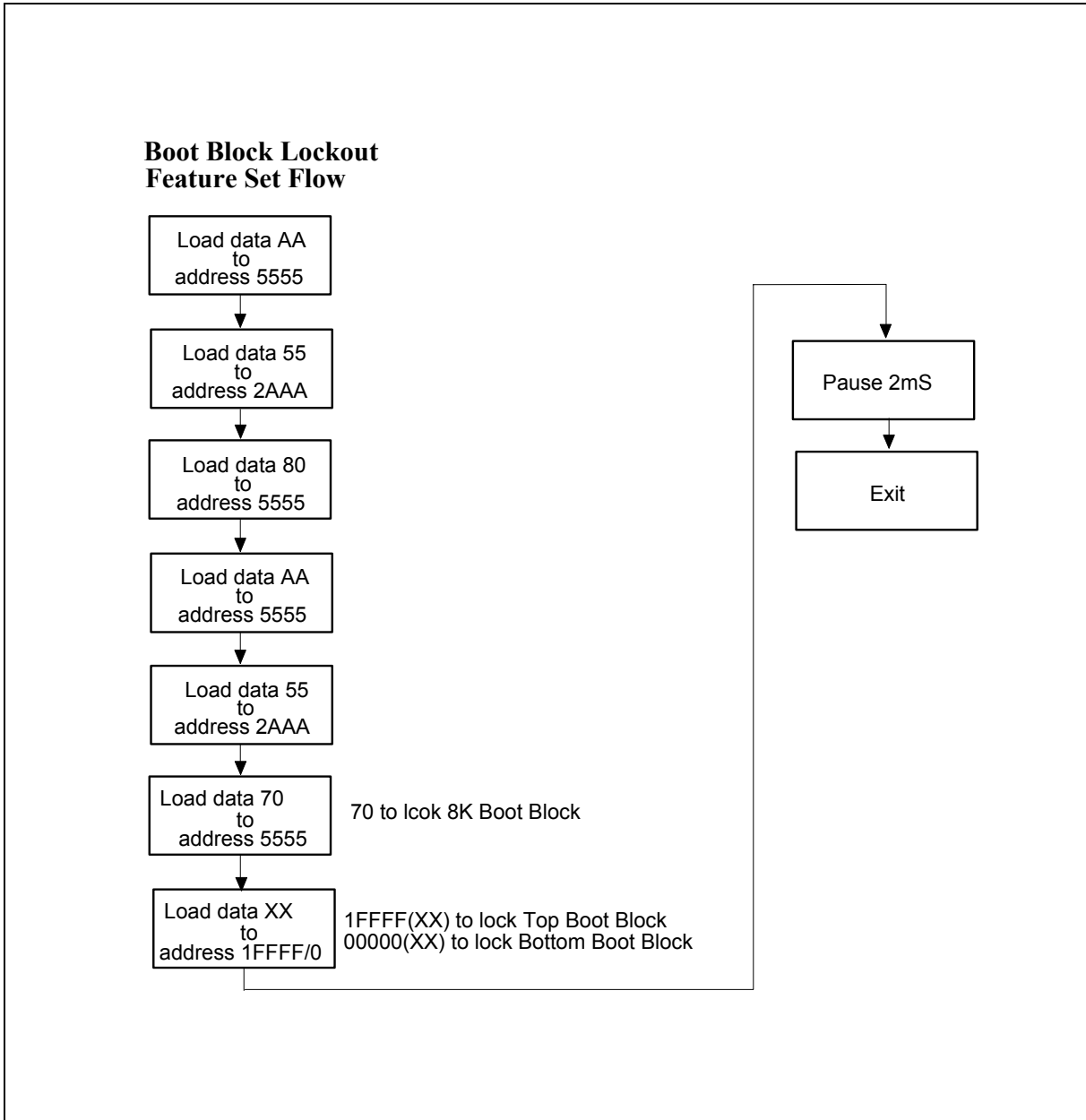
7.6 Embedded #Data Polling Algorithm



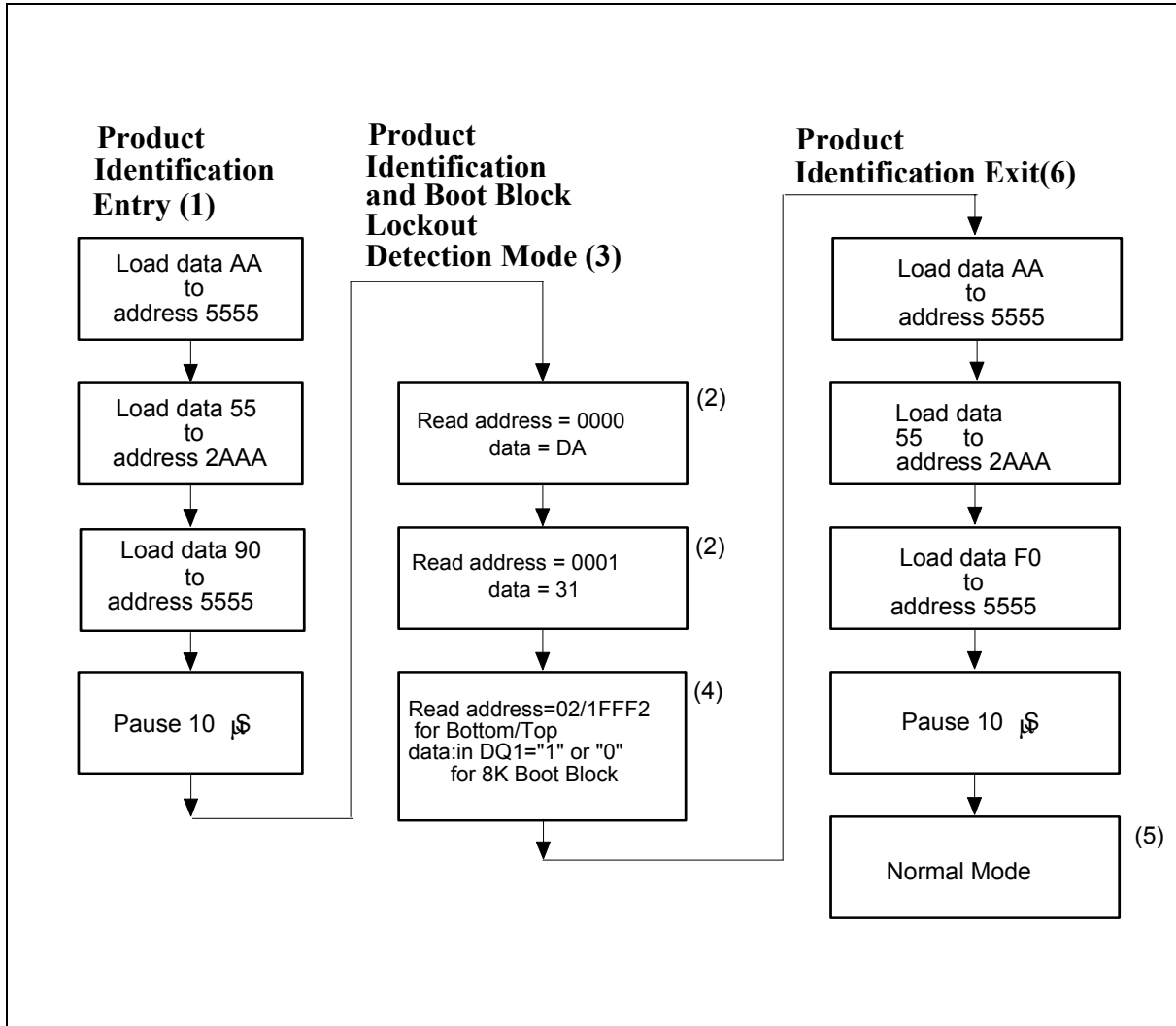
7.7 Embedded Toggle Bit Algorithm



7.8 Boot Block Lockout Enable Flow Chart



7.9 Software Product Identification and Boot Block Lockout Detection Flow Chart



Notes for software product identification/boot block lockout detection:

- (1) Data Format: DQ7 – DQ0 (Hex); Address Format: A14 – A0 (Hex)
- (2) A1 – A16 = V_{IL}; manufacture code is read for A0 = V_{IL}; device code is read for A0 = V_{IH}.
- (3) The device does not remain in identification and boot block lockout detection mode if power down.
- (4) If the output data in DQ0 or DQ1= " 1 " the boot block programming lockout feature is activated; if the output data in DQ0 or DQ1= " 0," the lockout feature is inactivated and the matched boot block can be programmed.
- (5) The device returns to standard operation mode.
- (6) Optional 1-byte cycle (write F0 hex at XXXX address) can be used to exit the product identification/boot block lockout detection.



8. ELECTRICAL CHARACTERISTICS

8.1 Absolute maximum Ratings

| PARAMETER | RATING | UNIT |
|--|---------------|------|
| Power Supply Voltage to Vss Potential | -2.0 to +4.6 | V |
| Operating Temperature | 0 to +70 | °C |
| Storage Temperature | -65 to +125 | °C |
| Voltage on Any Pin to Ground Potential except A9 | -2.0 to +4.6 | V |
| Voltage on A9 Pin to Ground Potential | -2.0 to +13.0 | V |

Note: Exposure to conditions beyond those listed under Absolute maximum Ratings may adversely affect the life and reliability of the device.

8.2 DC Operating Characteristics

(V_{DD} = 3.3V ±0.3V, V_{SS} = 0V, T_A = 0 to 70° C)

| PARAMETER | SYM. | TEST CONDITIONS | LIMITS | | | UNIT |
|--|-----------------|--|--------|------|----------------------|------|
| | | | MIN. | TYP. | MAX. | |
| Power Supply Current | I _{DD} | #CE=#OE= V _{IL} , #WE= V _{IH} , all DQs open Address inputs = V _{IL} /V _{IH} , at f = 5 MHz | - | 20 | 30 | mA |
| Standby V _{DD} Current (TTL input) | ISB1 | #CE= V _{IH} , all DQs open Other inputs = V _{IL} /V _{IH} | - | 1 | 2 | mA |
| Standby V _{DD} Current (CMOS input) | ISB2 | #CE = V _{DD} -0.3V, all DQs open Other inputs = V _{DD} -0.3V/ V _{SS} | - | 15 | 50 | μA |
| Input Leakage Current | I _{LI} | V _{IN} = V _{SS} to V _{DD} | - | - | 1 | μA |
| Output Leakage Current | I _{LO} | V _{OUT} = V _{SS} to V _{DD} | - | - | 1 | μA |
| Input Low Voltage | V _{IL} | - | -0.3 | - | 0.8 | V |
| Input High Voltage | V _{IH} | - | 2.0 | - | V _{DD} +0.5 | V |
| Output Low Voltage | V _{OL} | I _{OL} = 2.1 mA | - | - | 0.45 | V |
| Output High Voltage | V _{OH} | I _{OH} = -0.4 mA | 2.4 | - | - | V |

8.3 Pin Capacitance

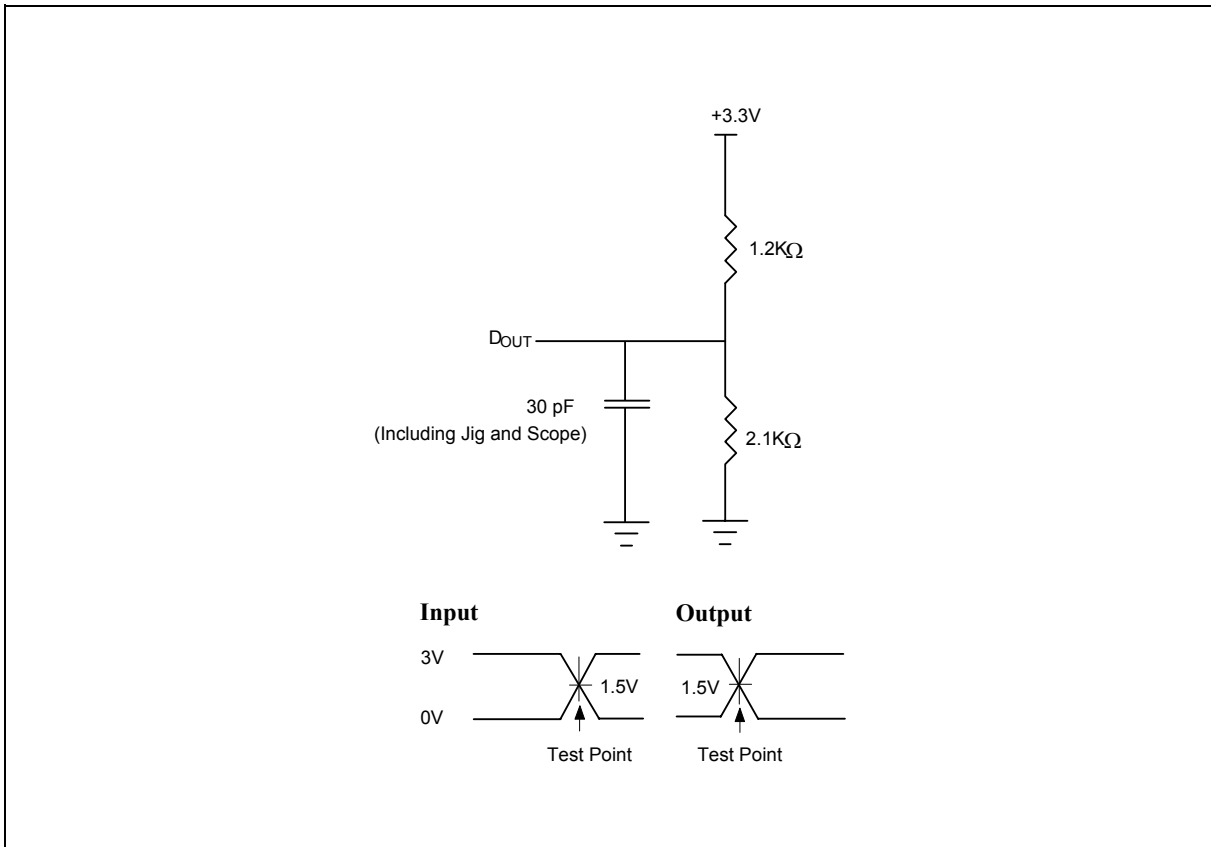
(V_{DD} = 3.3V, T_A = 25° C, f = 1 MHz)

| PARAMETER | SYMBOL | CONDITIONS | TYP. | MAX. | UNIT |
|--------------------|------------------|-----------------------|------|------|------|
| Input Capacitance | C _{IN} | V _{IN} = 0V | 6 | 8 | pF |
| Output Capacitance | C _{OUT} | V _{OUT} = 0V | 10 | 12 | pF |

8.4 AC Test Conditions

| PARAMETER | CONDITIONS |
|---------------------------|---------------------------|
| Input Pulse Levels | 0V to 3V |
| Input Rise/Fall Time | <5 nS |
| Input/Output Timing Level | 1.5V/1.5V |
| Output Load | 1 TTL Gate and CL = 30 pF |

8.5 AC Test Load and Waveform





AC Characteristics, continued

8.6 Read Cycle Timing Parameters

(V_{DD} = 3.3V ±0.3V, V_{SS} = 0V, T_A = 0 to 70° C)

| PARAMETER | SYM. | W39L010-70 | | W39L010-90 | | UNIT |
|---------------------------------|------|------------|------|------------|------|------|
| | | MIN. | MAX. | MIN. | MAX. | |
| Read Cycle Time | TRC | 70 | - | 90 | - | nS |
| Chip Enable Access Time | TCE | - | 70 | - | 90 | nS |
| Address Access Time | TAA | - | 70 | - | 90 | nS |
| Output Enable Access Time | TOE | - | 35 | - | 45 | nS |
| #CE Low to Active Output | TCLZ | 0 | - | 0 | - | nS |
| #OE Low to Active Output | TOLZ | 0 | - | 0 | - | nS |
| #CE High to High-Z Output | TCHZ | - | 25 | - | 25 | nS |
| #OE High to High-Z Output | TOHZ | - | 25 | - | 25 | nS |
| Output Hold from Address Change | TOH | 0 | - | 0 | - | nS |

8.7 Write Cycle Timing Parameters

| PARAMETER | SYM. | MIN. | TYP. | MAX. | UNIT |
|------------------------|------|------|------|------|------|
| Address Setup Time | TAS | 0 | - | - | nS |
| Address Hold Time | TAH | 40 | - | - | nS |
| #WE and #CE Setup Time | TCS | 0 | - | - | nS |
| #WE and #CE Hold Time | TCH | 0 | - | - | nS |
| #CE High Setup Time | TOES | 0 | - | - | nS |
| #OE High Hold Time | TOEH | 0 | - | - | nS |
| #CE Pulse Width | TCP | 100 | - | - | nS |
| #WE Pulse Width | TWP | 100 | - | - | nS |
| #WE High Width | TWPH | 100 | - | - | nS |
| Data Setup Time | TDS | 40 | - | - | nS |
| Data Hold Time | TDH | 10 | - | - | nS |
| Byte Programming Time | TBP | - | 35 | 50 | μS |
| Chip Erase Cycle Time | TEC | - | 150 | 200 | mS |
| Page Erase Cycle Time | TEP | - | 12.5 | 25 | mS |

Note: All AC timing signals observe the following guidelines for determining setup and hold times:

(a) High level signal's reference level is V_{IH} and (b) low level signal's reference level is V_{IL}.



AC Characteristics, continued

8.8 Power-up Timing

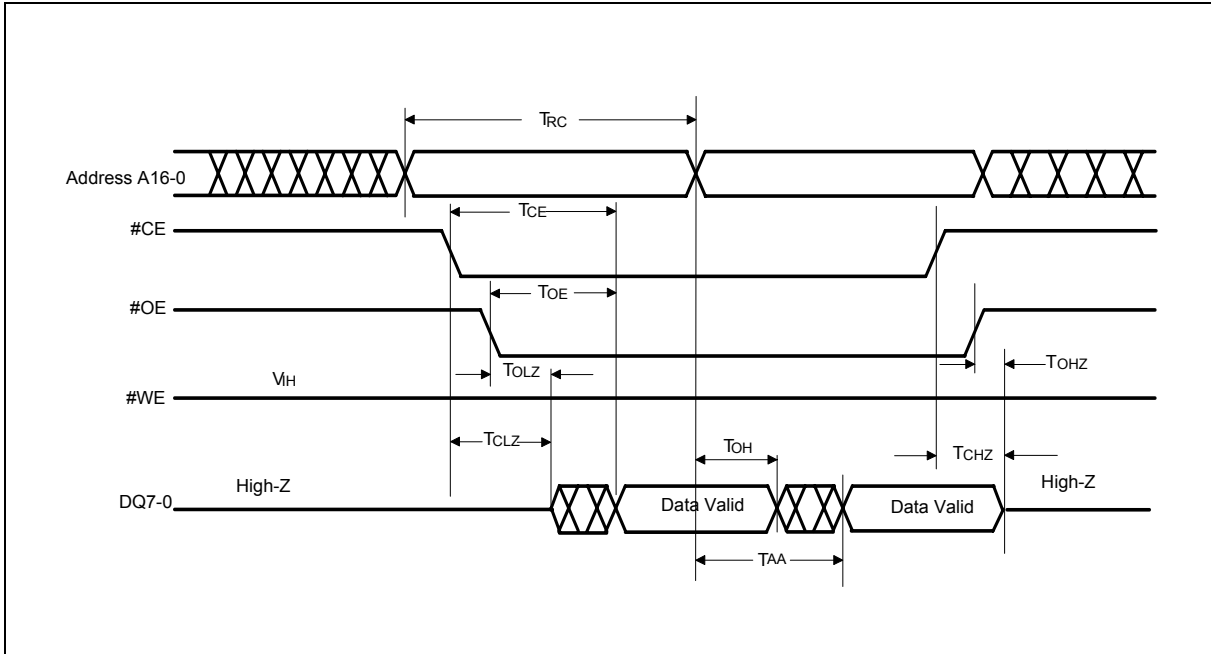
| PARAMETER | SYMBOL | TYPICAL | UNIT |
|-----------------------------|------------|---------|---------|
| Power-up to Read Operation | TPU. READ | 100 | μ S |
| Power-up to Write Operation | TPU. WRITE | 5 | mS |

8.9 Data Polling and Toggle Bit Timing Parameters

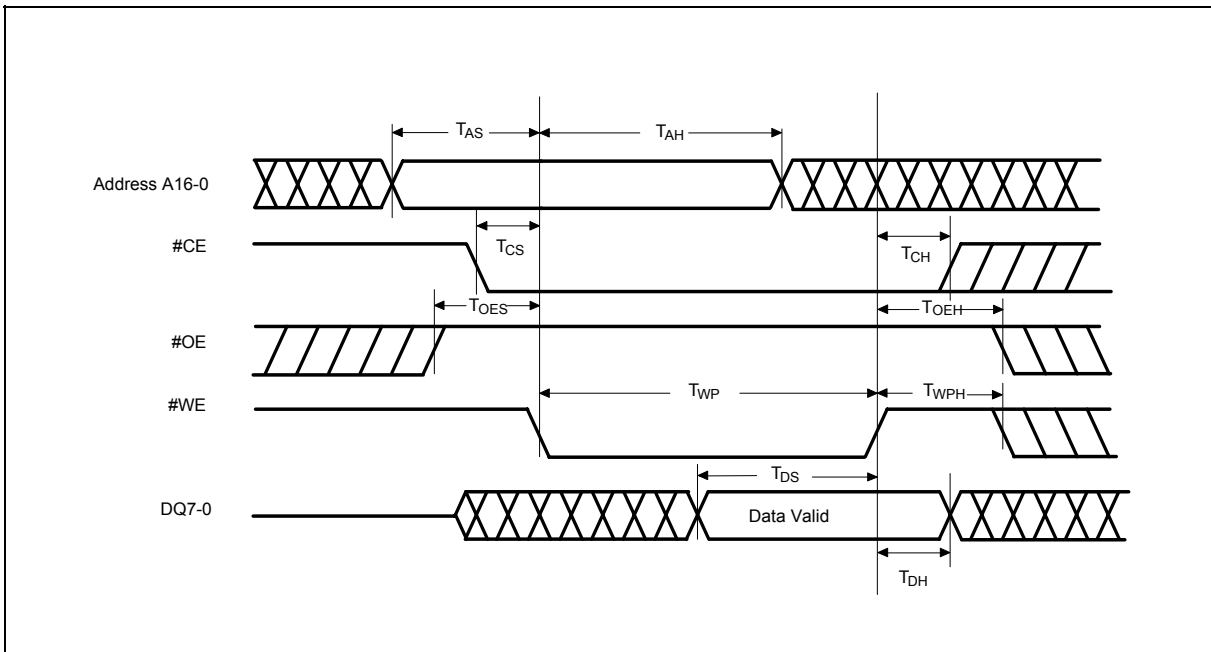
| PARAMETER | SYM. | W39L010-70 | | W39L010-90 | | UNIT |
|----------------------------------|------|------------|------|------------|------|------|
| | | MIN. | MAX. | MIN. | MAX. | |
| #OE to Data Polling Output Delay | TOEP | - | 35 | - | 45 | nS |
| #CE to Data Polling Output Delay | TCEP | - | 70 | - | 90 | nS |
| #OE to Toggle Bit Output Delay | TOET | - | 35 | - | 45 | nS |
| #CE to Toggle Bit Output Delay | TCET | - | 70 | - | 90 | nS |

9. TIMING WAVEFORMS

9.1 Read Cycle Timing Diagram

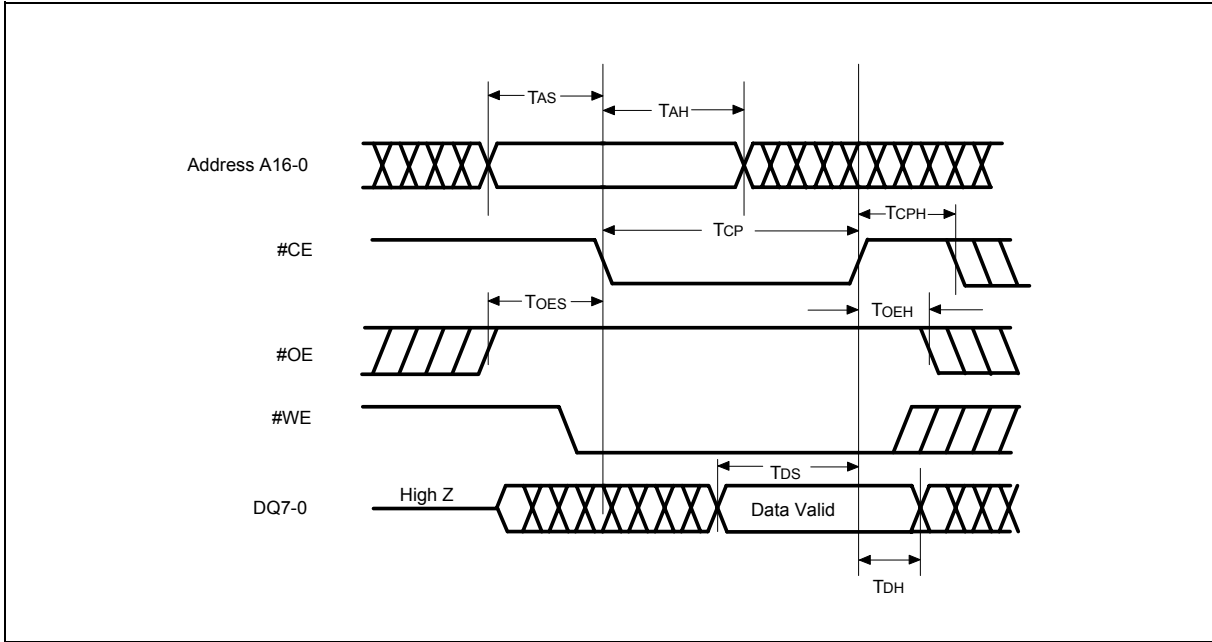


9.2 #WE Controlled Command Write Cycle Timing Diagram

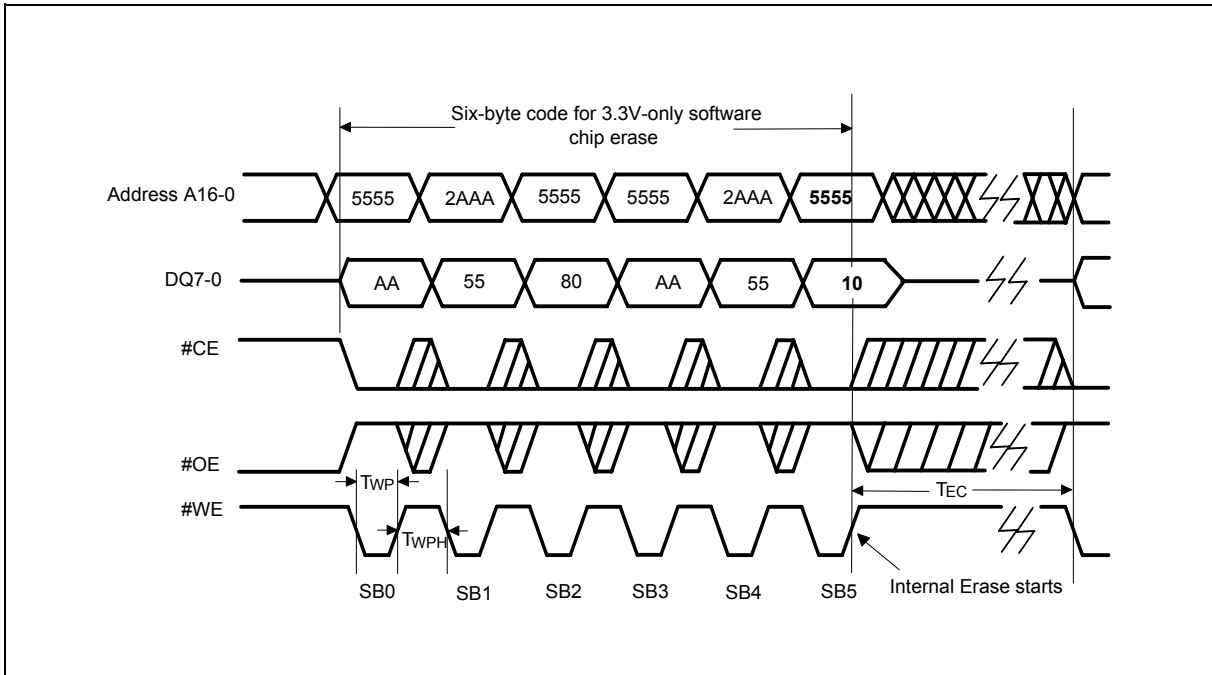


Timing Waveforms, continued

9.3 #CE Controlled Command Write Cycle Timing Diagram



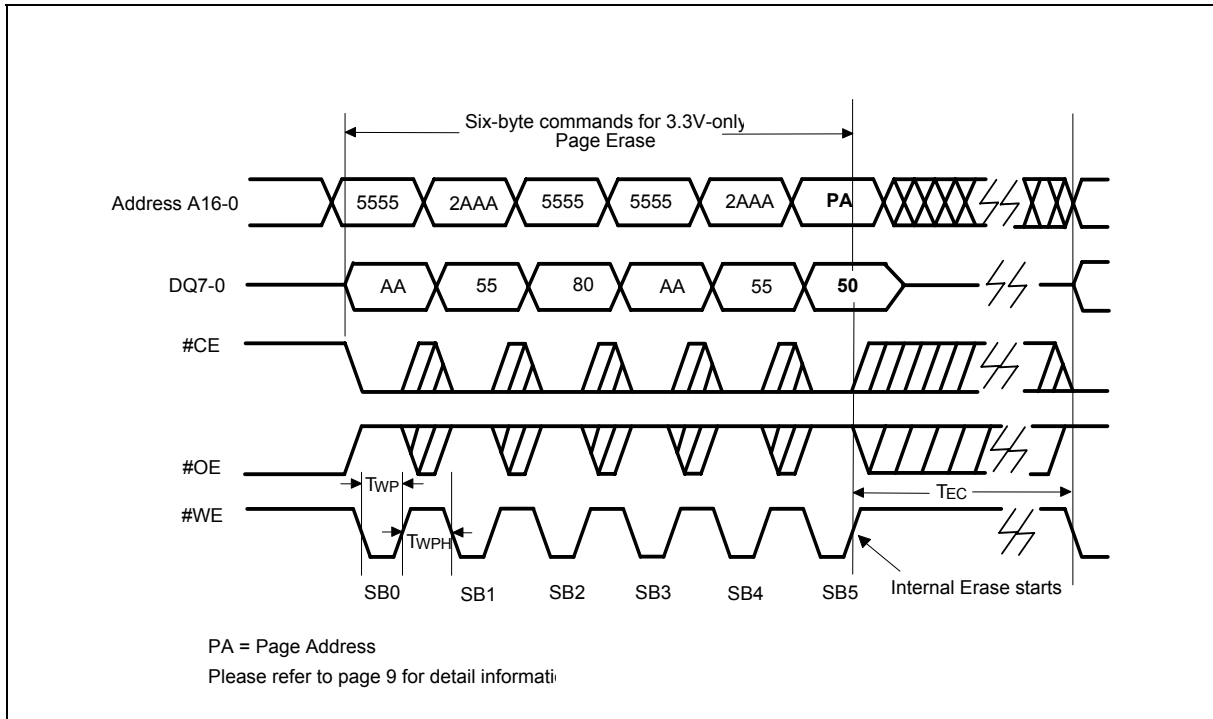
9.4 Chip Erase Timing Diagram



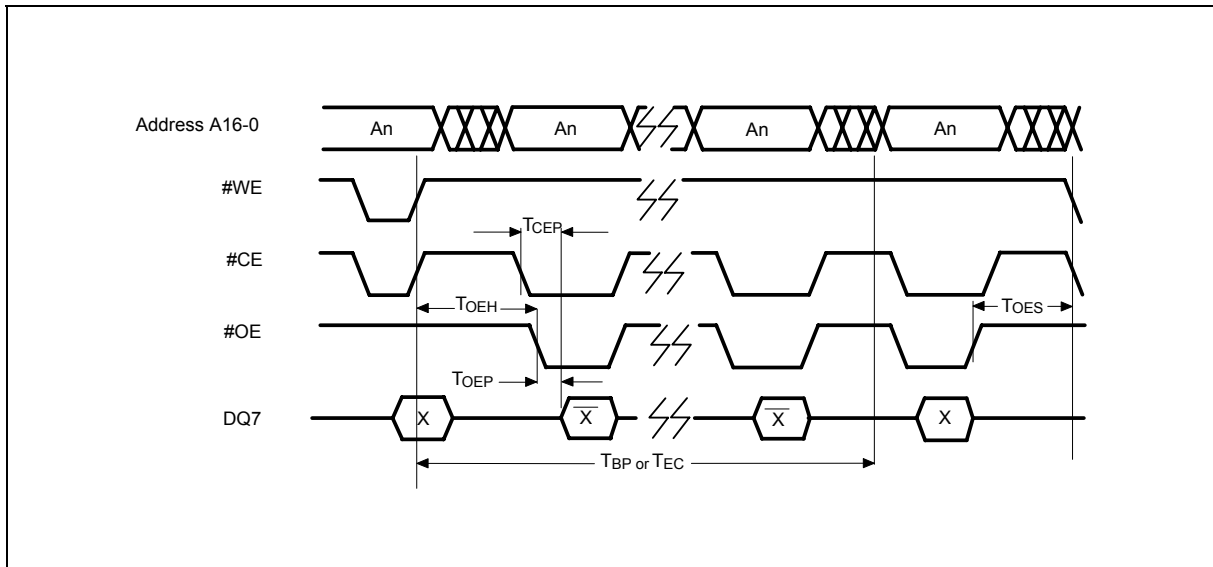


Timing Waveforms, continued

9.5 Page Erase Timing Diagram

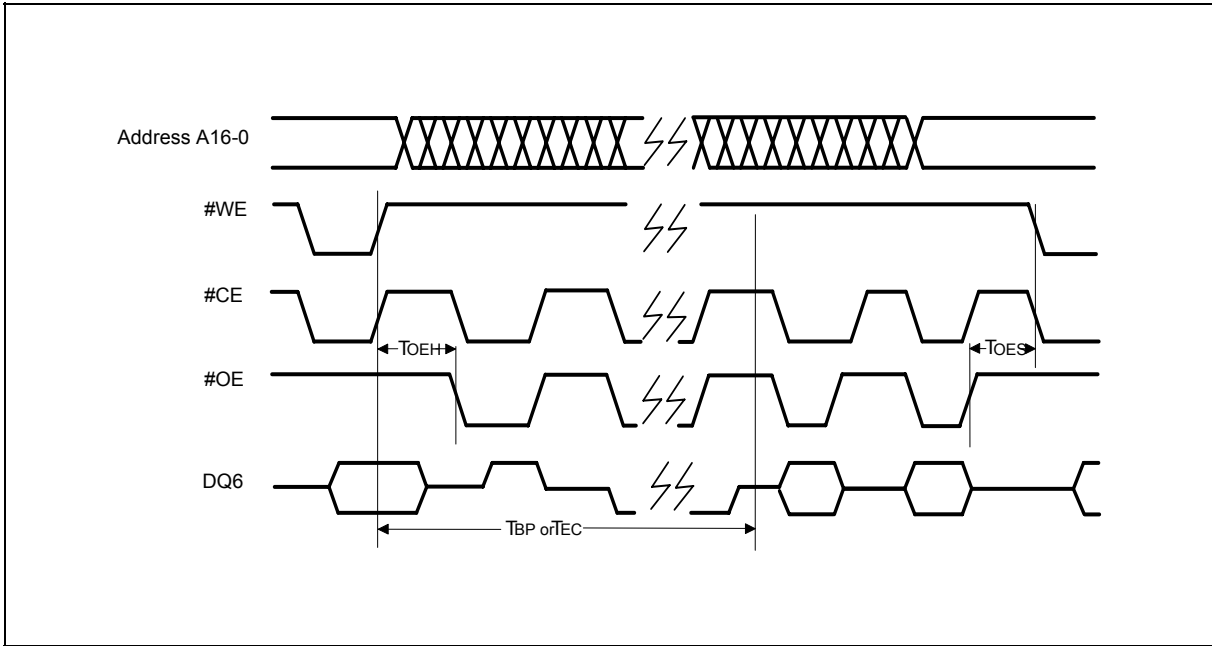


9.6 #DATA Polling Timing Diagram



Timing Waveforms, continued

9.7 Toggle Bit Timing Diagram





10. ORDERING INFORMATION

| PART NO. | ACCESS TIME (nS) | POWER SUPPLY CURRENT MAX. (mA) | STANDBY V _{DD} CURRENT MAX. (mA) | PACKAGE | CYCLE |
|--------------|---------------------|-----------------------------------|--|--------------|-------|
| W39L010P-70 | 70 | 30 | 2 | 32-pin PLCC | 1K |
| W39L010P-90 | 90 | 30 | 2 | 32-pin PLCC | 1K |
| W39L010Q-70 | 70 | 30 | 2 | 32-pin STSOP | 1K |
| W39L010Q-90 | 90 | 30 | 2 | 32-pin STSOP | 1K |
| W39L010P-70B | 70 | 30 | 2 | 32-pin PLCC | 10K |
| W39L010P-90B | 90 | 30 | 2 | 32-pin PLCC | 10K |
| W39L010Q-70B | 70 | 30 | 2 | 32-pin STSOP | 10K |
| W39L010Q-90B | 90 | 30 | 2 | 32-pin STSOP | 10K |

Notes:

1. Winbond reserves the right to make changes to its products without prior notice.
2. Purchasers are responsible for performing appropriate quality assurance testing on products intended for use in applications where personal injury might occur as a consequence of product failure.

11. HOW TO READ THE TOP MARKING

Example: The top marking of 32-pin PLCC W39L010P-70



1st line: winbond logo

2nd line: the part number: W39L010P-70

3rd line: the lot number

4th line: the tracking code: 149 O B SA

149: Packages made in '01, week 49

O: Assembly house ID: A means ASE, O means OSE, ...etc.

B: IC revision; A means version A, B means version B, ...etc.

SA: Process code

12. PACKAGE DIMENSIONS

12.1 32-pin PLCC

| Symbol | Dimension in Inches | | | Dimension in mm | | |
|----------------|---------------------|-------|-------|-----------------|-------|-------|
| | Min. | Nom. | Max. | Min. | Nom. | Max. |
| A | — | — | 0.140 | — | — | 3.56 |
| A ₁ | 0.020 | — | — | 0.50 | — | — |
| A ₂ | 0.105 | 0.110 | 0.115 | 2.67 | 2.80 | 2.93 |
| b ₁ | 0.026 | 0.028 | 0.032 | 0.66 | 0.71 | 0.81 |
| b | 0.016 | 0.018 | 0.022 | 0.41 | 0.46 | 0.56 |
| c | 0.008 | 0.010 | 0.014 | 0.20 | 0.25 | 0.35 |
| D | 0.547 | 0.550 | 0.553 | 13.89 | 13.97 | 14.05 |
| E | 0.447 | 0.450 | 0.453 | 11.35 | 11.43 | 11.51 |
| Ⓜ | 0.044 | 0.050 | 0.056 | 1.12 | 1.27 | 1.42 |
| G _D | 0.490 | 0.510 | 0.530 | 12.45 | 12.95 | 13.46 |
| G _E | 0.390 | 0.410 | 0.430 | 9.91 | 10.41 | 10.92 |
| H _D | 0.585 | 0.590 | 0.595 | 14.86 | 14.99 | 15.11 |
| H _E | 0.485 | 0.490 | 0.495 | 12.32 | 12.45 | 12.57 |
| L | 0.075 | 0.090 | 0.095 | 1.91 | 2.29 | 2.41 |
| y | — | — | 0.004 | — | — | 0.10 |
| θ | 0° | — | 10° | 0° | — | 10° |

Notes:

- Dimensions D & E do not include interlead flash.
- Dimension b₁ does not include dambar protrusion/intrusion.
- Controlling dimension: Inches.
- General appearance spec. should be based on final visual inspection sepc.

12.2 32-pin STSOP (8 x 14 mm)

| Symbol | Dimension in Inches | | | Dimension in mm | | |
|----------------|---------------------|-------|-------|-----------------|-------|------|
| | Min. | Nom. | Max. | Min. | Nom. | Max. |
| A | | | 0.047 | | | 1.20 |
| A ₁ | 0.002 | | 0.006 | 0.05 | | 0.15 |
| A ₂ | 0.035 | 0.040 | 0.041 | 0.95 | 1.00 | 1.05 |
| b | 0.007 | 0.009 | 0.010 | 0.17 | 0.22 | 0.27 |
| c | 0.004 | — | 0.008 | 0.10 | — | 0.21 |
| D | | 0.488 | | | 12.40 | |
| E | | 0.315 | | | 8.00 | |
| H _D | | 0.551 | | | 14.00 | |
| e | | 0.020 | | | 0.50 | |
| L | 0.020 | 0.024 | 0.028 | 0.50 | 0.60 | 0.70 |
| L ₁ | | 0.031 | | | 0.80 | |
| Y | 0.000 | | 0.004 | 0.00 | | 0.10 |
| θ | 0 | 3 | 5 | 0 | 3 | 5 |



13. VERSION HISTORY

| VERSION | DATE | PAGE | DESCRIPTION |
|---------|--------------|-----------------|--|
| A1 | Aug. 2000 | - | Initial Issued |
| A2 | May 31, 2002 | 1, 23, 24 | Rename STOP (8 x 14 mm) as STSOP (8 x 14 mm) |
| | | 1 | Add 1K of Typical program/erase cycles |
| | | 4 | Modify Low VDD Write and read Inhibit |
| | | 10, 11, 12 | Delete old flow chart and add Embedded Algorithm |
| | | 24 | Add 1K for ordering information Add HOW TO READ THE TOP MARKING |
| A3 | July 9, 2002 | 11 | Remove Block Erase from the Embedded Erase Algorithm |
| | | 12 | Correct Embedded #Data Polling Algorithm |
| A4 | Jan. 9, 2003 | 1, 4, 9, 13, 14 | Modify Boot Block from 16K byte to 8K byte |
| | | 4 | Delete Low VDD inhibit write description |
| | | 2 | Modify Block Diagram |
| | | 13 | Modify TBP to 2mS in Boot Block Lockout Enable Flow Chart |
| | | 16 | Modify Test Loading parameter |
| | | 17 | Add page erase time |



Headquarters

No. 4, Creation Rd. III,
Science-Based Industrial Park,
Hsinchu, Taiwan
TEL: 886-3-5770066
FAX: 886-3-5665577
<http://www.winbond.com.tw/>

Taipei Office

9F, No.480, Rueiguang Rd.,
Neihu District, Taipei, 114,
Taiwan, R.O.C.
TEL: 886-2-8177-7168
FAX: 886-2-8751-3579

Winbond Electronics Corporation America

2727 North First Street, San Jose,
CA 95134, U.S.A.
TEL: 1-408-9436666
FAX: 1-408-5441798

Winbond Electronics Corporation Japan

7F Daini-ueno BLDG, 3-7-18
Shinyokohama Kohoku-ku,
Yokohama, 222-0033
TEL: 81-45-4781881
FAX: 81-45-4781800

Winbond Electronics (Shanghai) Ltd.

27F, 2299 Yan An W. Rd. Shanghai,
200336 China
TEL: 86-21-62365999
FAX: 86-21-62365998

Winbond Electronics (H.K.) Ltd.

Unit 9-15, 22F, Millennium City,
No. 378 Kwun Tong Rd.,
Kowloon, Hong Kong
TEL: 852-27513100
FAX: 852-27552064

*Please note that all data and specifications are subject to change without notice.
All the trade marks of products and companies mentioned in this data sheet belong to their respective owners.*