

512MB- 64Mx72 DDR SDRAM REGISTERED w/PLL

FEATURES

- Double-data-rate architecture
- Clock Speeds: 100MHz, 133MHz and 166MHz
- Bi-directional data strobes (DQS)
- Differential clock inputs (CK & CK#)
- Programmable Read Latency 2,2,5 (clock)
- Programmable Burst Length (2,4,8)
- Programmable Burst type (sequential & interleave)
- Edge aligned data output, center aligned data input
- Auto and self refresh
- Serial presence detect
- Power supply: V_{CC}: 2.5V ± 0.2V
- JEDEC standard 184 pin DIMM package
- Package height options:
JD3: 30.48mm (1.20") and
AJD3: 28.70mm (1.13")

DESCRIPTION

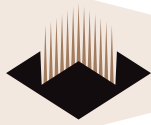
The W3EG7263S is a 64Mx72 Double Data Rate SDRAM memory module based on 256Mb DDR SDRAM component. The module consists of eighteen 64Mx4 DDR SDRAMs in 66 pin TSOP package mounted on a 184 Pin FR4 substrate.

Synchronous design allows precise cycle control with the use of system clock. Data I/O transactions are possible on both edges and Burst Lengths allow the same device to be useful for a variety of high bandwidth, high performance memory system applications.

This product is under development, is not qualified or characterized and is subject to change without notice.

OPERATING FREQUENCIES

	DDR333 @CL=2.5	DDR266 @CL=2	DDR266 @CL=2	DDR266 @CL=2.5	DDR200 @CL=2
Clock Speed	166MHz	133MHz	133MHz	133MHz	100MHz
CL-t _{RCD} -t _{RP}	2.5-3-3	2-2-2	2-3-3	2.5-3-3	2-2-2

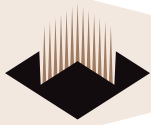


PIN CONFIGURATION

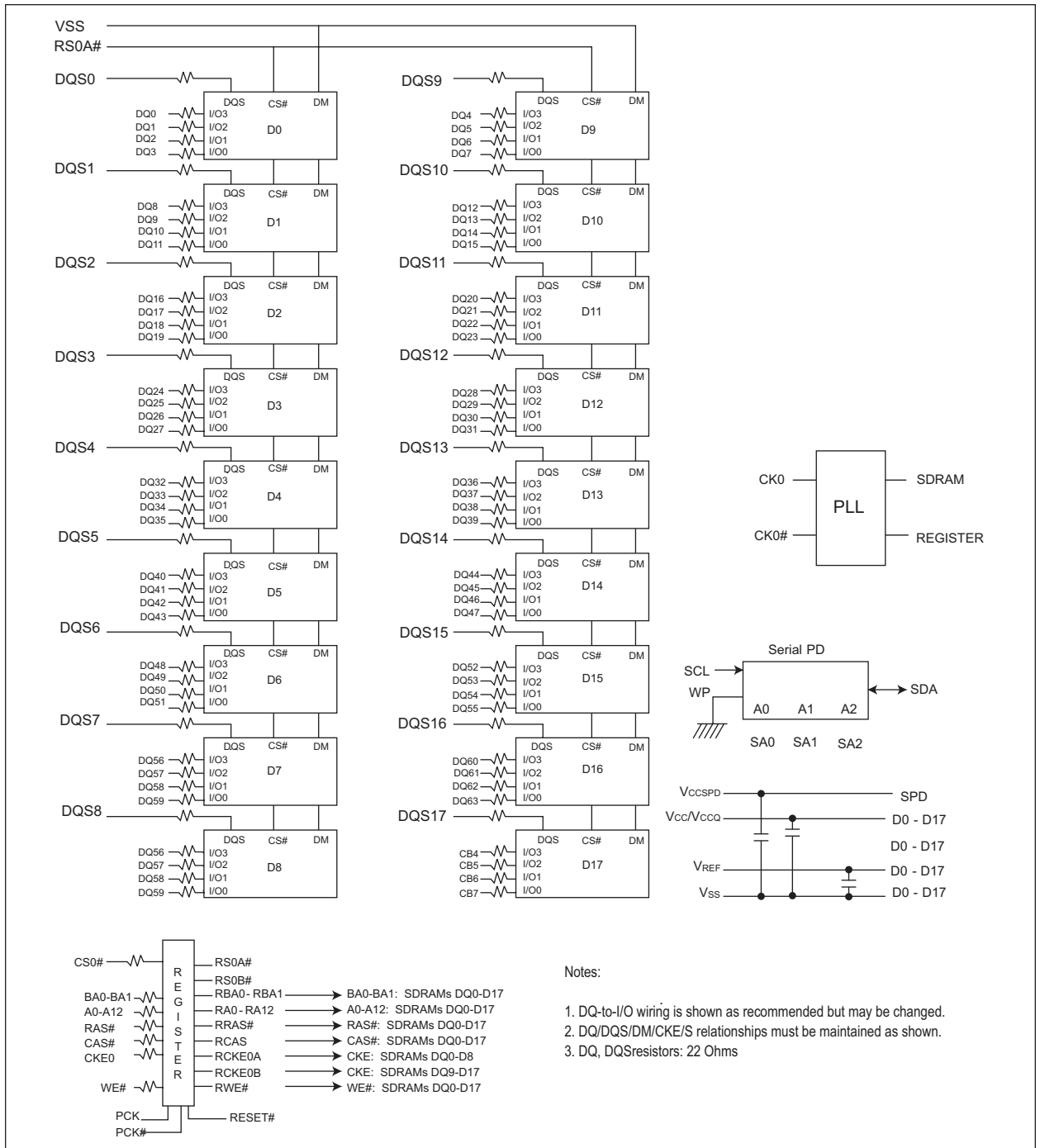
PIN	SYMBOL	PIN	SYMBOL	PIN	SYMBOL	PIN	SYMBOL
1	V _{REF}	47	DQS8	93	V _{SS}	139	V _{SS}
2	DQ0	48	A0	94	DQ4	140	DQS17
3	V _{SS}	49	CB2	95	DQ5	141	A10
4	DQ1	50	V _{SS}	96	V _{CCQ}	142	CB6
5	DQS0	51	CB3	97	DQS9	143	V _{CCQ}
6	DQ2	52	BA1	98	DQ6	144	CB7
7	V _{CC}	53	DQ32	99	DQ7	145	V _{SS}
8	DQ3	54	V _{CCQ}	100	V _{SS}	146	DQ36
9	NC	55	DQ33	101	NC	147	DQ37
10	RESET#	56	DQS4	102	NC	148	V _{CC}
11	V _{SS}	57	DQ34	103	NC	149	DQS13
12	DQ8	58	V _{SS}	104	V _{CCQ}	150	DQ38
13	DQ9	59	BA0	105	DQ12	151	DQ39
14	DQS1	60	DQ35	106	DQ13	152	V _{SS}
15	V _{CCQ}	61	DQ40	107	DQS10	153	DQ44
16	NC	62	V _{CCQ}	108	V _{CC}	154	RAS#
17	NC	63	WE#	109	DQ14	155	DQ45
18	V _{SS}	64	DQ41	110	DQ15	156	V _{CCQ}
19	DQ10	65	CAS#	111	NC	157	CS0#
20	DQ11	66	V _{SS}	112	V _{CCQ}	158	NC
21	CKE0	67	DQS5	113	NC	159	DQS14
22	V _{CCQ}	68	DQ42	114	DQ20	160	V _{SS}
23	DQ16	69	DQ43	115	A12	161	DQ46
24	DQ17	70	V _{CC}	116	V _{SS}	162	DQ47
25	DQS2	71	NC	117	DQ21	163	NC
26	V _{SS}	72	DQ48	118	A11	164	V _{CCQ}
27	A9	73	DQ49	119	DQS11	165	DQ52
28	DQ18	74	V _{SS}	120	V _{CC}	166	DQ53
29	A7	75	NC	121	DQ22	167	NC
30	V _{CCQ}	76	NC	122	A8	168	V _{CC}
31	DQ19	77	V _{CCQ}	123	DQ23	169	DQS15
32	A5	78	DQS6	124	V _{SS}	170	DQ54
33	DQ24	79	DQ50	125	A6	171	DQ55
34	V _{SS}	80	DQ51	126	DQ28	172	V _{CCQ}
35	DQ25	81	V _{SS}	127	DQ29	173	NC
36	DQS3	82	V _{CCID}	128	V _{CCQ}	174	DQ60
37	A4	83	DQ56	129	DQS12	175	DQ61
38	V _{CC}	84	DQ57	130	A3	176	V _{SS}
39	DQ26	85	V _{CC}	131	DQ30	177	DQS16
40	DQ27	86	DQS7	132	V _{SS}	178	DQ62
41	A2	87	DQ58	133	DQ31	179	DQ63
42	V _{SS}	88	DQ59	134	CB4	180	V _{CCQ}
43	A1	89	V _{SS}	135	CB5	181	SA0
44	CB0	90	NC	136	V _{CCQ}	182	SA1
45	CB1	91	SDA	137	CK0	183	SA2
46	V _{CC}	92	SCL	138	CK0#	184	V _{CCSPD}

PIN NAMES

A0-A12	Address input (Multiplexed)
BA0-BA1	Bank Select Address
DQ0-DQ63	Data Input/Output
CB0-CB7	Check bits
DQS0-DQS17	Data Strobe Input/Output
CK0	Clock Input
CK0#	Clock Input
CKE0	Clock Enable input
CS0#	Chip Select Input
RAS#	Row Address Strobe
CAS#	Column Address Strobe
WE#	Write Enable
V _{CC}	Power Supply (2.5V)
V _{CCQ}	Power Supply for DQS (2.5V)
V _{SS}	Ground
V _{REF}	Power Supply for Reference
V _{CCSPD}	Serial EEPROM Power Supply (2.3V to 3.6V)
SDA	Serial data I/O
SCL	Serial clock
SA0-SA2	Address in EEPROM
V _{CCID}	V _{CC} Identification Flag
NC	No Connect
RESET#	Reset Enable



FUNCTIONAL BLOCK DIAGRAM





ABSOLUTE MAXIMUM RATINGS

Parameter	Symbol	Value	Units
Voltage on any pin relative to V_{SS}	V_{IN}, V_{OUT}	-0.5 - 3.6	V
Voltage on V_{CC} supply relative to V_{SS}	V_{CC}, V_{CCQ}	-1.0 - 3.6	V
Storage Temperature	T_{STG}	-55 - +150	°C
Power Dissipation	P_D	27	W
Short Circuit Current	I_{OS}	50	mA

Note: Permanent device damage may occur if 'ABSOLUTE MAXIMUM RATINGS' are exceeded.
 Functional operation should be restricted to recommended operating condition.
 Exposure to higher than recommended voltage for extended periods of time could affect device reliability

DC CHARACTERISTICS

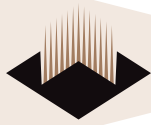
0°C ≤ T_A ≤ 70°C, $V_{CC} = 2.5V \pm 0.2V$

Parameter	Symbol	Min	Max	Unit
Supply Voltage	V_{CC}	2.3	2.7	V
Supply Voltage	V_{CCQ}	2.3	2.7	V
Reference Voltage	V_{REF}	1.15	1.35	V
Termination Voltage	V_{TT}	1.15	1.35	V
Input High Voltage	V_{IH}	$V_{REF} + 0.15$	$V_{CCQ} + 0.3$	V
Input Low Voltage	V_{IL}	-0.3	$V_{REF} - 0.15$	V
Output High Voltage	V_{OH}	$V_{TT} + 0.76$	—	V
Output Low Voltage	V_{OL}	—	$V_{TT} - 0.76$	V

CAPACITANCE

$T_A = 25^\circ C, f = 1MHz, V_{CC} = 2.5V$

Parameter	Symbol	Min	Max	Unit
Input Capacitance (A0-A12)	C_{IN1}	—	6.5	pF
Input Capacitance (RAS#, CAS#, WE#)	C_{IN2}	—	6.5	pF
Input Capacitance (CKE0)	C_{IN3}	—	6.5	pF
Input Capacitance (CK0,CK0#)	C_{IN4}	—	5.5	pF
Input Capacitance (CS0#)	C_{IN5}	—	6.5	pF
Input Capacitance (DQM0-DQM8)	C_{IN6}	—	8	pF
Input Capacitance (BA0-BA1)	C_{IN7}	—	6.5	pF
Data input/output capacitance (DQ0-DQ63)(DQS)	C_{OUT}	—	8	pF
Data input/output capacitance (CB0-CB7)	C_{OUT}	—	8	pF

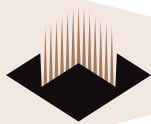


I_{DD} SPECIFICATIONS AND TEST CONDITIONS

Recommended operating conditions, 0°C ≤ T_A ≤ +70°C, V_{CCQ} = 2.5V ± 0.2V, V_{CC} = 2.5V ± 0.2V.

Includes DDR SDRAM components and PLL and Register

Parameter	Symbol	Rank 1 Conditions	DDR333@CL=2.5 Max	DDR266:@CL=2, 2.5 Max	DDR200@CL=2 S Max	Units	Rank 2 Standby State
Operating Current	I _{DD0}	One device bank; Active - Precharge; t _{RC} = t _{RC} (MIN); t _{CK} = t _{CK} (MIN); DQ,DM and DQS inputs changing once per clock cycle; Address and control inputs changing once every two cycles.	TBD	1715	1715	mA	I _{DD3N}
Operating Current	I _{DD1}	One device bank; Active-Read-Precharge Burst = 2; t _{RC} = t _{RC} (MIN); t _{CK} = t _{CK} (MIN); I _{OUT} = 0mA; Address and control inputs changing once per clock cycle.	TBD	2255	2255	mA	I _{DD3N}
Precharge Power-Down Standby Current	I _{DD2P}	All device banks idle; Power-down mode; t _{CK} = t _{CK} (MIN); CKE = (low)	TBD	54	54	mA	I _{DD2P}
Idle Standby Current	I _{DD2F}	CS# = High; All device banks idle; t _{CK} = t _{CK} (MIN); CKE = High; Address and other control inputs changing once per clock cycle. V _{IN} = V _{REF} for DQ, DQS and DM.	TBD	671	671	mA	I _{DD2F}
Active Power-Down Standby Current	I _{DD3P}	One device bank active; Power-Down mode; t _{CK} (MIN); CKE = (low)	TBD	540	540	mA	I _{DD3P}
Active Standby Current	I _{DD3N}	CS# = High; CKE = High; One device bank; Active-Precharge; t _{RC} = t _{RAS} (MAX); t _{CK} = t _{CK} (MIN); DQ, DM and DQS inputs changing twice per clock cycle; Address and other control inputs changing once per clock cycle.	TBD	1121	1121	mA	I _{DD3N}
Operating Current	I _{DD4R}	Burst = 2; Reads; Continuous burst; One device bank active; Address and control inputs changing once per clock cycle; t _{CK} = t _{CK} (MIN); I _{OUT} = 0mA.	TBD	2795	2795	mA	I _{DD3N}
Operating Current	I _{DD4W}	Burst = 2; Writes; Continuous burst; One device bank active; Address and control inputs changing once per clock cycle; t _{CK} = t _{CK} (MIN); DQ,DM and DQS inputs changing once per clock cycle.	TBD	2795	2795	mA	I _{DD3N}
Auto Refresh Current	I _{DD5}	t _{RC} = t _{RC} (MIN)	TBD	3281	3281	mA	I _{DD3N}
Self Refresh Current	I _{DD6}	CKE ≤ 0.2V	TBD	365	365	mA	I _{DD6}
Operating Current	I _{DD7A}	Four bank interleaving Reads (BL=4) with auto precharge with t _{RC} =t _{RC} (MIN); t _{CK} =t _{CK} (MIN); Address and control inputs change only during Active Read or Write commands.	TBD	5315	5315	mA	I _{DD3N}



DETAILED TEST CONDITIONS FOR DDR SDRAM I_{DD1} & I_{DD7A}

I_{DD1} : OPERATING CURRENT: ONE BANK

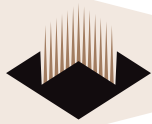
1. Typical Case: V_{CC} = 2.5V, T = 25°C
2. Worst Case: V_{CC} = 2.7V, T = 10°C
3. Only one bank is accessed with t_{RC} (min), Burst Mode, Address and Control inputs on NOP edge are changing once per clock cycle. I_{OUT} = 0mA
4. Timing patterns
 - DDR200 (100MHz, CL = 2) : t_{CK} = 10ns, CL2, BL = 4, t_{RCD} = 2*t_{CK}, t_{RAg} = 5*t_{CK}
Read: A0 N R0 N N P0 N A0 N - repeat the same timing with random address changing; 50% of data changing at every burst
 - DDR266 (133MHz, CL = 2.5) : t_{CK} = 7.5ns, CL = 2.5, BL = 4, t_{RCD} = 3*t_{CK}, t_{RC} = 9*t_{CK}, t_{RAg} = 5*t_{CK}
Read: A0 N N R0 N P0 N N A0 N - repeat the same timing with random address changing; 50% of data changing at every burst
 - DDR266 (133MHz, CL = 2) : t_{CK} = 7.5ns, CL = 2, BL = 4, t_{RCD} = 3*t_{CK}, t_{RC} = 9*t_{CK}, t_{RAg} = 5*t_{CK}
Read: A0 N N R0 N P0 N N A0 N - repeat the same timing with random address changing; 50% of data changing at every burst
 - DDR333 (166MHz, CL = 2.5) : t_{CK} = 6ns, BL = 4, t_{RCD} = 10*t_{CK}, t_{RAg} = 7*t_{CK}
Read: A0 N N R0 N P0 N N A0 N — repeat the same timing with random address changing; 50% of data changing at every burst

I_{DD7A}: OPERATING CURRENT: FOUR BANKS

1. Typical Case: V_{CC} = 2.5V, T = 25°C
2. Worst Case: V_{CC} = 2.7V, T = 10°C
3. Four banks are being interleaved with t_{RC} (min), Burst Mode, Address and Control inputs on NOP edge are not changing. I_{out} = 0mA
4. Timing patterns
 - DDR200 (100MHz, CL = 2) : t_{CK} = 10ns, CL2, BL = 4, t_{RRD} = 2*t_{CK}, t_{RCD} = 3*t_{CK}, Read with autoprecharge
Read: A0 N A1 R0 A2 R1 A3 R2 A0 R3 A1 R0 - repeat the same timing with random address changing; 100% of data changing at every burst
 - DDR266 (133MHz, CL = 2.5) : t_{CK} = 7.5ns, CL = 2.5, BL = 4, t_{RRD} = 3*t_{CK}, t_{RCD} = 3*t_{CK} Read with autoprecharge
Read: A0 N A1 R0 A2 R1 A3 R2 N R3 A0 N A1 R0 - repeat the same timing with random address changing; 100% of data changing at every burst
 - DDR266 (133MHz, CL = 2) : t_{CK} = 7.5ns, CL2 = 2, BL = 4, t_{RRD} = 2*t_{CK}, t_{RCD} = 3*t_{CK}
Read: A0 N A1 R0 A2 R1 A3 R2 N R3 A0 N A1 R0 - repeat the same timing with random address changing; 100% of data changing at every burst
 - DDR333 (166MHz, CL = 2.5) : t_{CK} = 6ns, BL = 4, t_{RRD} = 3*t_{CK}, t_{RCD} = 3*t_{CK}, Read with autoprecharge
Read: A0 N A1 R0 A2 R1 A3 R2 N R3 A0 N A1 R0 - repeat the same timing with random address changing; 100% of data changing at every burst

Legend: A = Activate, R = Read, W = Write, P = Precharge, N = NOP

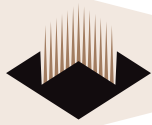
A (0-3) = Activate Bank 0-3
R (0-3) = Read Bank 0-3



DDR SDRAM COMPONENT ELECTRICAL CHARACTERISTICS AND RECOMMENDED AC OPERATING CONDITIONS

Notes 1-5, 7; notes appear following parameter tables; $0^{\circ}\text{C} \leq T_A \leq +70^{\circ}\text{C}$; $V_{CC} = +2.5\text{V} \pm 0.2\text{V}$, $V_{CC0} = +2.5\text{V} \pm 0.2\text{V}$

AC Characteristics			335		262/263/265		202			
Parameter	Symbol	Min	Max	Min	Max	Min	Max	Units	Notes	
Access window of DQs from CK, CK#	t_{AC}	-0.7	+0.7	-0.75	+0.75	-0.8	+0.8	ns		
CK high-level width	t_{CH}	0.45	0.55	0.45	0.55	0.45	0.55	t_{CK}	16	
CK low-level width	t_{CL}	0.45	0.55	0.45	0.55	0.45	0.55	t_{CK}	16	
Clock cycle time	CL=2.5 $t_{CK}(2.5)$	6	13	7.5	13	8	13	ns	22	
	CL=2 $t_{CK}(2)$	7.5	13	7.5/10	13	10	13	ns	22	
DQ and DM input hold time relative to DQS	t_{DH}	0.45		0.5		0.6		ns	14,17	
DQ and DM input setup time relative to DQS	t_{DS}	0.45		0.5		0.6		ns	14,17	
DQ and DM input pulse width (for each input)	t_{DIPW}	1.75		1.75		2		ns	17	
Access window of DQS from CK, CK#	t_{DQSCK}	-0.60	+0.60	-0.75	+0.75	-0.8	+0.8	ns		
DQS input high pulse width	t_{DQSH}	0.35		0.35		0.35		t_{CK}		
DQS input low pulse width	t_{DQSL}	0.35		0.35		0.35		t_{CK}		
DQS-DQ skew, DQS to last DQ valid, per group, per access	t_{DQSQ}		0.35		0.5		0.6	ns	13,14	
Write command to first DQS latching transition	t_{DQSS}	0.75	1.25	0.75	1.25	0.75	1.25	t_{CK}		
DQS falling edge to CK rising - setup time	t_{DSS}	0.2		0.2		0.2		t_{CK}		
DQS falling edge from CK rising - hold time	t_{DSH}	0.2		0.2		0.2		t_{CK}		
Half clock period	t_{HP}	t_{CH}, t_{CL}		t_{CH}, t_{CL}		t_{CH}, t_{CL}		ns	18	
Data-out high-impedance window from CK, CK#	t_{HZ}		+0.70		+0.75		+0.8	ns	8,19	
Data-out low-impedance window from CK, CK#	t_{LZ}	-0.70		-0.75		-0.8		ns	8,20	
Address and control input hold time (fast slew rate)	t_{IHf}	0.75		0.90		1.1		ns	6	
Address and control input set-up time (fast slew rate)	t_{ISf}	0.75		0.90		1.1		ns	6	
Address and control input hold time (slow slew rate)	t_{IHs}	0.80		1		1.1		ns	6	
Address and control input setup time (slow slew rate)	t_{ISs}	0.80		1		1.1		ns	6	
Address and control input pulse width (for each input)	t_{IPW}	2.2		2.2		2.2		ns		
LOAD MODE REGISTER command cycle time	t_{MRD}	12		15		16		ns		
DQ-DQS hold, DQS to first DQ to go non-valid, per access	t_{QH}	$t_{HP}-t_{QHS}$		$t_{HP}-t_{QHS}$		$t_{HP}-t_{QHS}$		ns	13,14	
Data hold skew factor	t_{QHS}		0.50		0.75		1	ns		
ACTIVE to PRECHARGE command	t_{RAS}	42	120,000	40	120,000	40	120,000	ns	15	
ACTIVE to READ with Auto precharge command	t_{RAP}	18		20		20		ns		
ACTIVE to ACTIVE/AUTO REFRESH command period	t_{RC}	60		65		70		ns		
AUTO REFRESH command period	t_{RFC}	72		75		80		ns	21	



**DDR SDRAM COMPONENT ELECTRICAL CHARACTERISTICS AND
 RECOMMENDED AC OPERATING CONDITIONS (continued)**

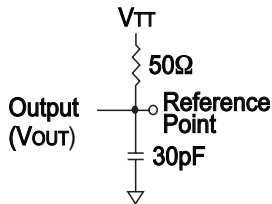
Notes 1-5, 7; notes appear following parameter tables; 0°C ≤ T_A ≤ +70°C; V_{CC} = +2.5V ±0.2V, V_{CC0} = +2.5V ±0.2V

AC Characteristics		335		262/263/265		202			
Parameter	Symbol	Min	Max	Min	Max	Min	Max	Units	Notes
ACTIVE to READ or WRITE delay	t _{RCD}	18		20		20		ns	
PRECHARGE command period	t _{RP}	18		20		20		ns	
DQS read preamble	t _{RPRE}	0.9	1.1	0.9	1.1	0.9	1.1	t _{CK}	19
DQS read postamble	t _{RPST}	0.4	0.6	0.4	0.6	0.4	0.6	t _{CK}	
ACTIVE bank a to ACTIVE bank b command	t _{RRD}	12		15		15		ns	
DQS write preamble	t _{WPRE}	0.25		0.25		0.25		t _{CK}	
DQS write preamble setup time	t _{WPRES}	0		0		0		ns	10,11
DQS write postamble	t _{WPST}	0.4	0.6	0.4	0.6	0.4	0.6	t _{CK}	9
Write recovery time	t _{WR}	15		15		15		ns	
Internal WRITE to READ command delay	t _{WTR}	1		1		1		t _{CK}	
Data valid output window	NA	t _{OH} -t _{DQSQ}		t _{OH} -t _{DQSQ}		t _{OH} -t _{DQSQ}		ns	13
REFRESH to REFRESH command interval	t _{REFC}		70.3		70.3		70.3	μs	12
Average periodic refresh interval	t _{REFI}		7.8		7.8		7.8	μs	12
Terminating voltage delay to V _{CC}	t _{1VD}	0		0		0		ns	
Exit SELF REFRESH to non-READ command	t _{XSNR}	75		75		80		ns	
Exit SELF REFRESH to READ command	t _{XSRD}	200		200		200		t _{CK}	



Notes

1. All voltages referenced to V_{SS}
2. Tests for AC timing, I_{DD} , and electrical AC and DC characteristics may be conducted at normal reference / supply voltage levels, but the related specifications and device operations are guaranteed for the full voltage range specified.
3. Outputs are measured with equivalent load:



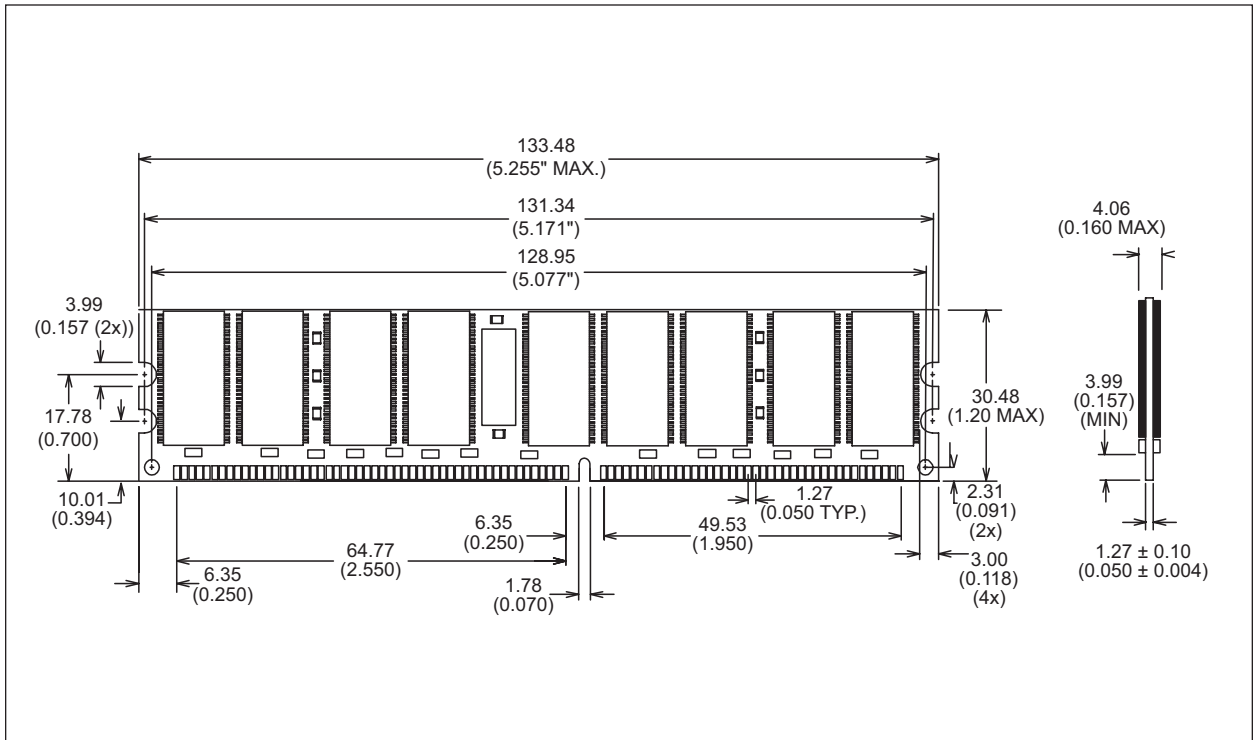
4. AC timing and I_{DD} tests may use a V_{IL} -to- V_{IH} swing of up to 1.5V in the test environment, but input timing is still referenced to V_{REF} (or to the crossing point for CK/CK#), and parameter specifications are guaranteed for the specified AC input levels under normal use conditions. The minimum slew rate for the input signals used to test the device is 1V/ns in the range between $V_{IL}(AC)$ and $V_{IH}(AC)$.
5. The AC and DC input level specifications are defined in the SSTL_2 standard (i.e., the receiver will effectively switch as a result of the signal crossing the AC input level, and will remain in that state as long as the signal does not ring back above [below] the DC input LOW [high] level).
6. Command/Address input slew rate = 0.5V/ns. For -75 with slew rates 1V/ns and faster, t_{IS} and t_{IH} are reduced to 900ps. If the slew rate is less than 0.5V/ns, timing must be derated: t_{IS} has an additional 50ps per each 100mV/ns reduction in slew rate from the 500mV/ns. t_{IH} has 0ps added, that is, it remains constant. If the slew rate exceeds 4.5V/ns, functionality is uncertain.
7. Inputs are not recognized as valid until V_{REF} stabilizes. Exception: during the period before V_{REF} stabilizes, $CKE \neq 0.3 \times V_{CCQ}$ is recognized as LOW.
8. t_{HZ} and t_{LZ} transitions occur in the same access time windows as valid data transitions. These parameters are not referenced to a specific voltage level, but specify when the device output is no longer driving (HZ) and begins driving (LZ).
9. The maximum limit for this parameter is not a device limit. The device will operate with a greater value for this parameter, but system performance (bus turnaround) will degrade accordingly.
10. This is not a device limit. The device will operate with a negative value, but system performance could be degraded due to bus turnaround.
11. It is recommended that DQS be valid (HIGH or LOW) on or before the WRITE command. The case shown (DQS going from High-Z to logic LOW) applies when no WRITES were previously in progress on the bus. If a previous WRITE was in progress, DQS could be high during this time, depending on t_{BOSS} .
12. The refresh period is 64ms. This equates to an average refresh rate of 15.625μs (256Mb component) or 7.8125μs (512 Mb component). However, an AUTO REFRESH command must be asserted at least once every 140.6μs (256 Mb component) or 70.3μs (512Mb component); burst refreshing or posting by the DRAM controller greater than eight refresh cycles is not allowed.
13. The valid data window is derived by achieving other specifications - t_{HP} ($t_{CK/2}$), t_{DQSQ} , and t_{QH} ($t_{QH} = t_{HP} - t_{QHS}$). The data valid window derates directly proportional with the clock duty cycle and a practical data valid window can be derived. The clock is allowed a maximum duty cycled variation of 45/55. Functionality is uncertain when operating beyond a 45/55 ratio. The data valid window derating curves are provided below for duty cycles ranging between 50/50 and 45/55.
14. Referenced to each output group: x4 = DQS with DQ0-DQ4.
15. READs and WRITEs with auto precharge are not allowed to be issued until t_{RAS} (MIN) can be satisfied prior to the internal precharge command being issued.
16. JEDEC specifies CK and CK# input slew rate must be $\geq 1V/ns$ (2V/ns differentially).
17. DQ and DM input slew rates must not deviate from DQS by more than 10%. If the DQ/DM/DQS slew rate is less than 0.5V/ns, timing must be derated: 50ps must be added to t_{DS} and t_{DH} for each 100mV/ns reduction in slew rate. If slew rates exceed 4V/ns, functionality is uncertain.
18. t_{HP} min is the lesser of t_{CL} min and t_{CH} min actually applied to the device CK and CK# inputs, collectively during bank active.
19. This maximum value is derived from the referenced test load. In practice, the values obtained in a typical terminated design may reflect up to 310ps less for t_{HZ} (MAX) and last DVW. t_{HZ} (MAX) will prevail over the t_{DQSQ} (MAX) + t_{RPST} (MAX) condition. t_{LZ} (MIN) will prevail over t_{DQSQ} (MIN) + PRE (MAX) condition.
20. For slew rates greater than 1V/ns the (LZ) transition will start about 310ps earlier.
21. CKE must be active (High) during the entire time a refresh command is executed. That is, from the time the AUTO REFRESH command is registered, CKE must be active at each rising clock edge, until t_{REF} later.
22. Whenever the operating frequency is altered, not including jitter, the DLL is required to be reset. This is followed by 200 clock cycles (before READ commands).



ORDERING INFORMATION FOR JD3

Part Number	Speed	CAS Latency	t _{RC} D	t _{RP}	Height*
W3EG7263S335JD3	166MHz/333Mb/s	2.5	3	3	30.48 (1.20")
W3EG7263S262JD3	133MHz/266Mb/s	2	2	2	30.48 (1.20")
W3EG7263S263JD3	133MHz/266Mb/s	2	3	3	30.48 (1.20")
W3EG7263S265JD3	133MHz/266Mb/s	2.5	3	3	30.48 (1.20")
W3EG7263S202JD3	100MHz/200Mb/s	2	2	2	30.48 (1.20")

PACKAGE DIMENSIONS FOR JD3



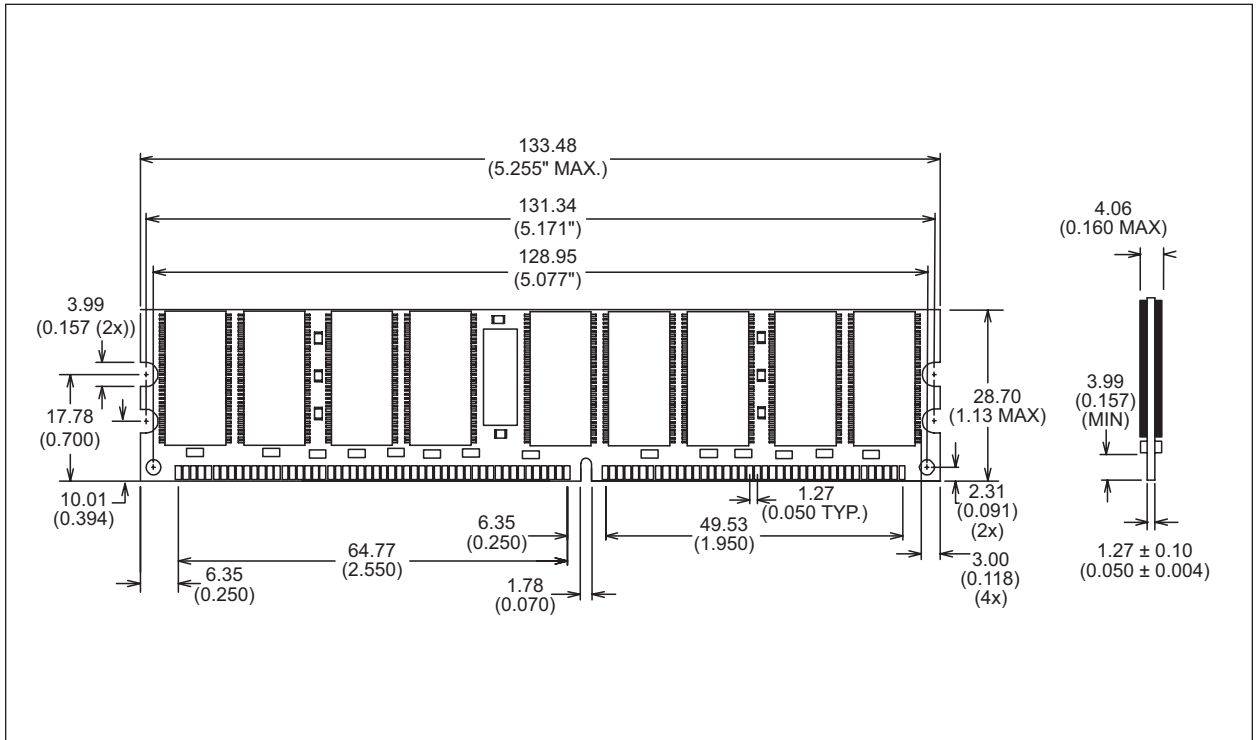
* All Dimensions are in millimeters and (inches).



ORDERING INFORMATION FOR AJD3

Part Number	Speed	CAS Latency	t _{RCD}	t _{RP}	Height*
W3EG7263S335AJD3	166MHz/333Mb/s	2.5	3	3	28.70 (1.13")
W3EG7263S262AJD3	133MHz/266Mb/s	2	2	2	28.70 (1.13")
W3EG7263S263AJD3	133MHz/266Mb/s	2	3	3	28.70 (1.13")
W3EG7263S265AJD3	133MHz/266Mb/s	2.5	3	3	28.70 (1.13")
W3EG7263S202AJD3	100MHz/200Mb/s	2	2	2	28.70 (1.13")

PACKAGE DIMENSIONS FOR AJD3



* All Dimensions are in millimeters and (inches).

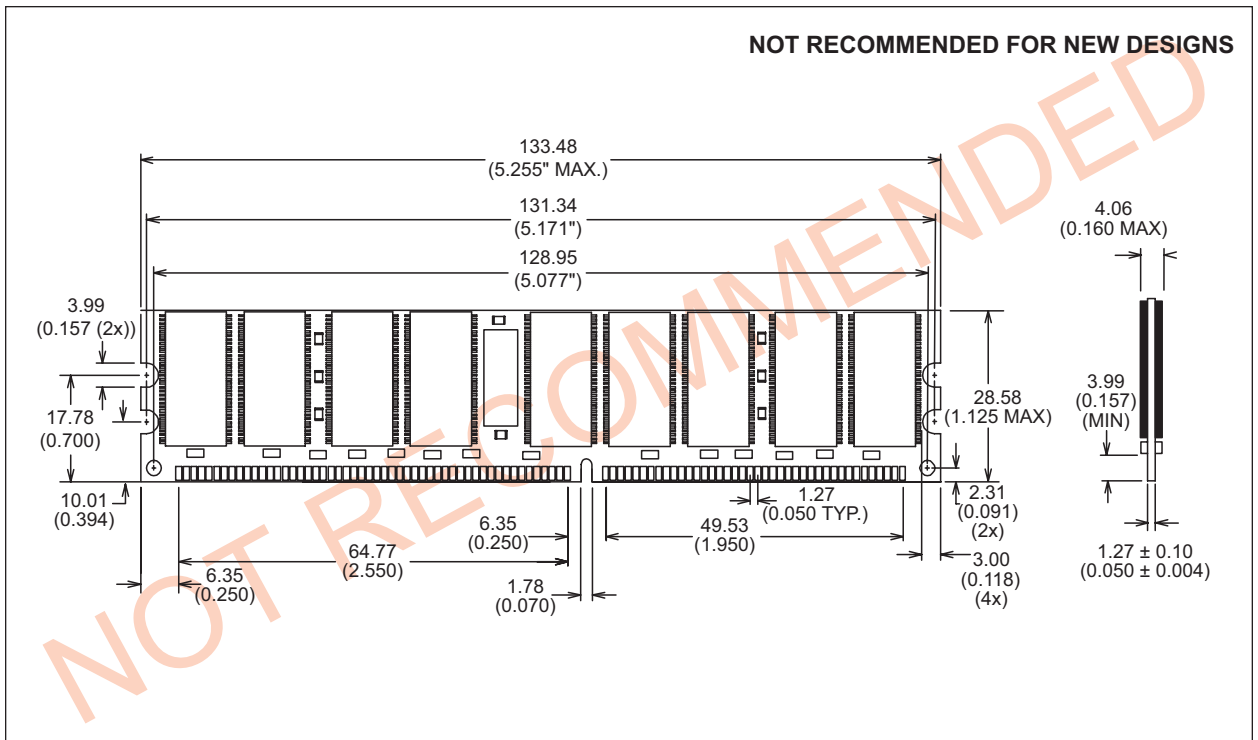


ORDERING INFORMATION FOR D3

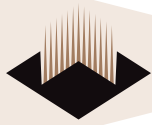
Part Number	Speed	CAS Latency	t _{RCD}	t _{RP}	Height*
W3EG7263S335D3	166MHz/333Mb/s	2.5	3	3	28.58 (1.125")
W3EG7263S262D3	133MHz/266Mb/s	2	2	2	28.58 (1.125")
W3EG7263S263D3	133MHz/266Mb/s	2	3	3	28.58 (1.125")
W3EG7263S265D3	133MHz/266Mb/s	2.5	3	3	28.58 (1.125")
W3EG7263S202D3	100MHz/200Mb/s	2	2	2	28.58 (1.125")

PACKAGE DIMENSIONS FOR D3

NOT RECOMMENDED FOR NEW DESIGNS



* All Dimensions are in millimeters and (inches).



Document Title

512MB- 64Mx72 DDR SDRAM REGISTERED w/PLL

Revision History

Rev #	History	Release Date	Status
Rev 0	Created Datasheet	3-5-02	Advanced
Rev 1	Added 333MHz Speed	4-16-03	Advanced
Rev 2	2.1 Added JD3 and AJD3 Package Height Options 2.2 Added "Not Recommended for New Designs" to D3 2.3 Updated Document Title Page 2.4 Removed "ED" from Part Marking	4-04	Preliminary