

W90N740 Reference Manual



W90N740 32-Bit ARM7TDMI[®]-Based Micro-Controller Reference Manual

W90N740 Reference Manual



The information described in this document is the exclusive intellectual property of Winbond Electronics Corporation and shall not be reproduced without permission from Winbond.

Winbond is providing this document only for reference purposes of W90N740-based system design. Winbond assumes no responsibility for errors or omissions.

All data and specifications are subject to change without notice.

For additional information or questions, please contact: Winbond Electronics Corp.



Table of Contents-

1.	GENERAL DESCRIPTION	4
2.	FEATURES	4
3.	BLOCK DIAGRAM	8
4.	PIN CONFIGURATION	9
4.1.	Pin Assignment	10
5.	PIN DESCRIPTION.....	13
6.	ELECTRICAL CHARACTERISTICS.....	17
6.1.	Absolute Maximum Ratings (To Be Added).....	17
6.2.	DC Characteristics	18
6.2.1.	Digital DC Characteristics (To Be Added)	18
6.2.2.	USB Transceiver DC Characteristics (To Be Added)	18
6.3.	AC Characteristics	19
6.3.1.	EBI/SDRAM Interface AC Characteristics	19
6.3.2.	EBI/External Master Interface AC Characteristics	20
6.3.3.	EBI/(ROM/SRAM/External I/O) AC Characteristics	21
6.3.4.	USB Transceiver AC Characteristics.....	22
6.3.5.	EMC MII AC Characteristics	24
7.	PACKAGE DIMENSION	26
8.	W90N740 REGISTERS MAPPING TABLE	27
9.	ORDERING INFORMATION.....	39
10.	REVISION HISTORY	39



1. GENERAL DESCRIPTION

The **W90N740** micro-controller is 16/32 bit, **ARM7TDMI[®]** based **RISC** micro-controller for **network** as well as **embedded** applications. An integrated dual Ethernet MAC, the W90N740, is designed for use in broadband routers, wireless access points, residential gateways and LAN camera.

The W90N740N is built around The ARM7TDMI[®] CPU core designed by Advanced RISC Machines, Ltd. And achieves **80MHz** under **worse conditions**. Its small size, fully static design is particularly suitable for cost-sensitive and power-sensitive applications. It designs as Harvard architecture by offering an **8K-byte I-cache/SRAM** and an **2K-byte D-cache/SRAM** with flexible configuration and two way set associative structure to balance data movement between CPU and external memory. Four stages **write buffer** also improves latency for write operations.

The **external bus interface (EBI)** controller provides single bus architecture, 8/16/32 bit data width to access external SDRAM, ROM/SRAM, flash memory and I/O devices. It achieves same frequency as CPU core to minimize latency if internal cache misses. Memory controller supports different kinds of SDRAM types and configurations to ease system design. The System Manager includes an internal 32-bit system bus arbiter and a PLL clock controller. Generic I/O bus is easily served as PCMCIA-like interface for 802.11b wireless LAN connection.

Two 10/100Mb MACs of Ethernet controller is built in to reduce total system cost and increase performance between WAN and LAN port. Either **MII** or **RMII** of MAC is selected for external 10/100 PHY chip to design for varieties of applications. A powerful **NAT accelerator (Patent Pending)** between LAN and WAN reduces the software loading of CPU and speeds up performance between LAN and WAN.

W90N740 integrates **root hub of USB 1.1 host controller with one port transceiver** and uses additional port with external transceiver if necessary, which can add valuable functions like flash disk, printer server, Bluetooth device via USB port. The important peripheral functions include **one full wired high speed UART** channel, **2-Channel GDMA**, **one watch-dog timer**, **two 24-bit timers** with 8-bit pre-scale, **20 programmable I/O ports**, and **an advanced interrupt controller**.

2. FEATURES

Architecture

- Highly-integrated system for embedded Ethernet applications
- Powerful ARM7TDMI[®] core and fully 16/32-bit RISC architecture
- Big /Little-Endian mode supported
- Cost-effective JTAG-based debug solution

System Manager

- System memory map & on-chip peripherals memory map
- The data bus width of external memory address & data bus connection with external memory
- Bus arbitration supports the Fixed Priority Mode & Rotate Priority Mode
- Power-On setting
- On-Chip PLL module control & Clock select control



External Bus Interface (EBI)

- External I/O Control with 8/16/32 bit external data bus
- Cost-effective memory-to-peripheral DMA interface
- SDRAM Controller supports up to 2 external SDRAM & the maximum size of each device is 32MB
- ROM/FLASH & External I/O interface
- Support for PCMCIA 16-bit PC Card devices

On-Chip Instruction and Data Cache

- Two-way, Set-associative, 8K-byte I-cache and 2K-byte D-cache
- Support for LRU (Least Recently Used) Protocol
- Cache can be configured as an internal SRAM
- Support Cache Lock function

Ethernet MAC Controller (EMC)

- IEEE 802.3 protocol engine with programmable MII or RMII interface for 10/100 Mbits/s
- DMA engine with burst mode
- 256 bytes transmit & 256 bytes receive FIFO for MAC protocol engine and DMA access
- Built-in 16 entry CAM Address Register
- Support long frame (more than 1518 bytes) and short frame (less than 64 bytes)
- Re-transmit (during collision) the frame without DMA access
- Half or full duplex function option
- Support Station Management for external PHY
- On-Chip Pad generation

NAT Accelerator (Patent Pending)

- Hardware acceleration on IP address / port number look up and replacement for network address translation, including MAC address translation
- Provide 64 entries of translation table
- Support TCP / UDP packets

GDMA Controller

- 2 Channel GDMA for memory-to-memory data transfers without CPU intervention
- Increase or decrease source / destination address in 8-bit, 16-bit, or 32-bit data transfers
- Supports 4-data burst mode to boost performance
- Support external GDMA request



USB Host Controller

- USB 1.1 compatible
- Open Host Controller Interface (OHCI) 1.0 compatible.
- Supports both low-speed (1.5 Mbps) and full-speed (12Mbps) USB devices.
- Built-in DMA for real-time data transfer

UART

- One UART (serial I/O) blocks with interrupt-based operation
- Full set of MODEM control functions (CTS, RTS, DSR, DTR, RI and DCD)
- Fully programmable serial-interface characteristics:
- Break generation and detection
- False start bit detection
- Parity, overrun, and framing error detection
- Full prioritized interrupt system controls

Timers

- Two programmable 24-bit timers with 8-bit pre-scalar
- One programmable 24-bit Watch-Dog timer
- One-short mode, period mode or toggle mode operation

Programmable I/Os

- 21 programmable I/O ports
- I/O ports Configurable for Multiple functions

Advanced Interrupt Controller (AIC)

- 18 interrupt sources, including 4 external interrupt sources
- Programmable normal or fast interrupt mode (IRQ, FIQ)
- Programmable as either edge-triggered or level-sensitive for 4 external interrupt sources
- Programmable as either low-active or high-active for 4 external interrupt sources
- Priority methodology is encoded to allow for interrupt daisy-chaining
- Automatically mask out the lower priority interrupt during interrupt nesting

GPIO Controller

- Programmable as an input or output pin



On-Chip PLL

- One PLL for both CPU and USB host controller
- The external clock can be multiplied by on-chip PLL to provide high frequency system clock
- Programmable clock frequency, and the input frequency range is 3-30MHz; 15MHz is preferred.

Operation Voltage Range

- 2.7 – 3.6 V for IO Buffer
- 1.62 – 1.98 V for Core Logic

Operation Temperature Range

- 0 – 70 Degree C

Operating Frequency

- 80 MHz (default)

Package Type

- 176-pin LQFP

3. BLOCK DIAGRAM

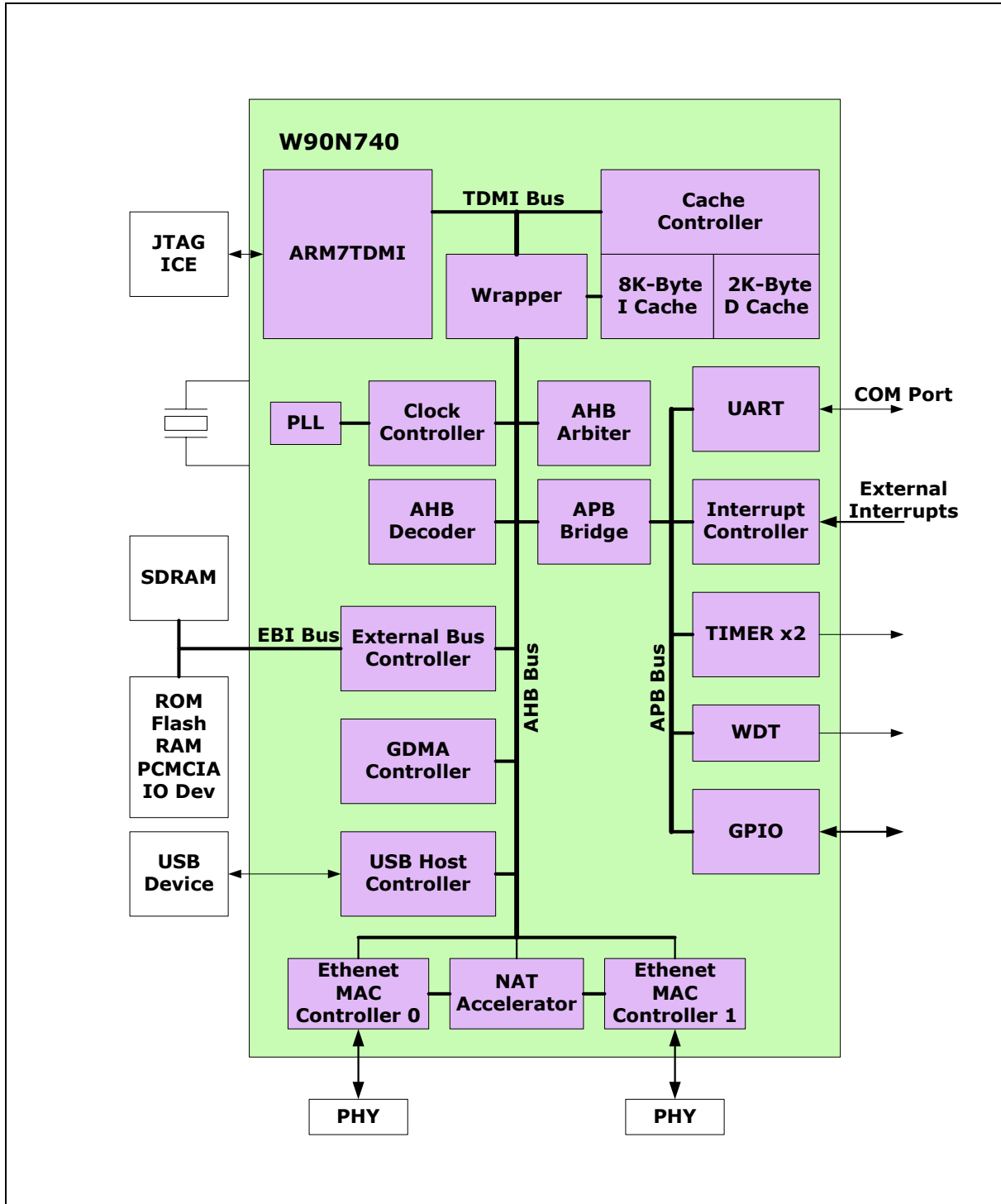


Fig 3.1 W90N740 Functional Block Diagram

W90N740 Reference Manual



4.1. Pin Assignment

PIN NAME	176-PIN LQFP	
Clock & Reset	(4 pins)	
EXTAL	●	164
XTAL	●	163
MCLK	●	54
nRESET	●	27
TAP Interface	(5 pins)	
TCK	●	25
TMS	●	20
TDI	●	21
TDO	●	24
nTRST	●	26
External Bus Interface	(78 pins)	
A [24:22]	●	84-82
A [21:0]	●	81-74,72,70, 67-56
D [31:16]	●	124-119,117, 115-114,111-105
D [15:0]	●	104-103,101, 99-88,86
nWBE [3:0]/ SDQM [3:0]	●	46-43
nSCS[1:0]	●	42,41
NSRAS	●	51
NSCAS	●	52
NSWE	●	50
MCKE	●	49
NC	●	48
NC	●	47
EMREQ	●	31
EMACK	●	30
nWAIT	●	32
NBTCS	●	40
nECS[3:0]	●	39-36
NOE	●	34

W90N740 Reference Manual



Pins Assignment, Continued

PIN NAME	176-PIN LQFP	
Ethernet Interface (0)	(17 pins)	
MDC0	●	142
MDIO0	●	143
COL0 /	●	151
CRS0 / R1B_CRSDV	●	152
TX0_CLK	●	150
TX0D [3:0] / R1B_TXD [1:0], R0_TXD [1:0]	●	149-146
TX0_EN / R0_TXEN	●	144
RX0_CLK / R0_REFCLK	●	153
RX0D [3:0] / R1B_RXD [1:0], R0_RXD [1:0]	●	159-157,154
RX0_DV / R0_CRSDV	●	160
RX0_ERR	●	161
Ethernet Interface (1)	(17 pins)	
MDC1	●	10
MDIO1	●	8
COL1	●	6
CRS1	●	7
TX1_CLK	●	11
TX1D [3:0] / R1A_TX [1:0]	●	4-1
TX1_EN / R1A_TXEN	●	5
RX1_CLK / R1A_REFCLK	●	167
RX1D [3:0] / R1A_RXD [1:0]	●	172-169
RX1_DV / R1A_CRSDV	●	168
RX1_ERR / R1A_RXERR	●	166

W90N740 Reference Manual



Pins Assignment, Continued

NAME	176-PIN LQFP	
USB Interface	(2 pins)	
DP	●	131
DN	●	130
Miscellaneous	(21 pins)	
GP [20:17] / nIRQ [3:0]	●	136-133
GP16 / nXDREQ	●	29
GP15 /nXDACK	●	28
GP14 / TIMER1/ SPEED	●	19
GP13 / TIMER0/ STDBY	●	18
GP12 /nWDOG	●	17
GP11 /RxD	●	140
GP10 /TxD	●	139
GP9/nDSR/nTOE	●	128
GP8 /nDTR/FSE0	●	127
GP7 /nCD / VO	●	126
GP6 /nCTS/ VM	●	138
GP5 /nRTS/ VP	●	137
GP4 /nRI / RCV	●	125
GP [3:0]	●	16-13

Name	176-Pin LQFP	
Power/Ground	(32 pins)	
VDD18	●	22,69,113,155
VSS18	●	23,68,112,156
VDD33	●	12,33,53,71,85, 100,116,141,162
VSS33	●	9,35,55,73,87,102,118,145, 165
USBVDD	●	132
USBVSS	●	129
DVDD18	●	175
DVSS18	●	176
AVDD18	●	173
AVSS18	●	174

W90N740 Reference Manual



5. PIN DESCRIPTION

PIN NAME	IO TYPE	DESCRIPTION
System Clock & Reset		
EXTAL	I	External Clock / Crystal Input
XTAL	O	Crystal Output
MCLK	O	System Master Clock Out, SDRAM clock
nRESET	I	System Reset, active-low
TAP Interface		
TCK	ID	JTAG Clock, internal pull-down with 58K ohm
TMS	IU	JTAG Mode Select, internal pull-up with 70K ohm
TDI	IU	JTAG Data in, internal pull-up with 70K ohm
TDO	O	JTAG Data out
nTRST	IU	JTAG Reset, active-low, internal pull-up with 70K ohm
External Bus Interface		
A [24:22]	O	Address Bus (MSB) of external memory and IO devices
A [21:0]	IO	Address Bus of external memory and IO devices
D [31:16]	IO	Data Bus (MSB) of external memory and IO device, internal pull-up with 70K ohm.
D [15:0]	IO	Data Bus (LSB) of external memory and IO device
nWBE [3:0]/ SDQM [3:0]	IO	Write Byte Enable for specific device(nECS[3:0]), Data input/output Mask signal for SDRAM (nSCS[1:0]), active-low
nSCS [1:0]	O	SDRAM chip select for two external banks, active-low.
nSRAS	O	Row Address Strobe for SDRAM, active-low
nSCAS	O	Column Address Strobe for SDRAM, active-low
nSWE	O	SDRAM Write Enable, active-low
MCKE	O	SDRAM Clock Enable, active-high
NC	ID	
NC	O	
EMREQ	ID	External Master Bus Request This is used to request external bus. When EMACK active, indicates the bus grants the bus, chip drives all the output pins of the external bus to high impedance.
EMACK	O	External Bus Acknowledge
nWAIT	IU	External Wait , active-low This pin indicates that the external devices need more active cycle during access operation.
nBTCS	O	ROM/Flash Chip Select, active-low
nECS [3:0]	IO	External I/O Chip Select, active-low.
nOE	O	ROM/Flash, External Memory Output Enable, active-low

W90N740 Reference Manual



Pins Description, Continued

PIN NAME	IO TYPE	DESCRIPTION
Ethernet Interface (0)		
MDC0	O	MII Management Data Clock for Ethernet 0. It is the reference clock of MDIO0. Each MDIO0 data will be latched at the rising edge of MDC0 clock.
MDIO0	IO	MII Management Data I/O for Ethernet 0. It is used to transfer MII control and status information between PHY and MAC.
COL0	I	Collision Detect for Ethernet 0 in MII mode. This shall be asserted by PHY upon detecting a collision happened over the medium. It will be asserted and lasted until collision condition vanishes.
CRS0	I	Carrier Sense for Ethernet 0 in MII mode.
TX0_CLK	I	Transmit Data Clock for Ethernet 0 in MII mode. TX0_CLK is driven by PHY and provides the timing reference for TX0_EN and TX0D. The clock will be 25MHz or 2.5 MHz.
TX0D [3:0] / R0_TXD [1:0]	O	Transmit Data bus (4-bit) for Ethernet 0 in MII mode. The nibble transmit data bus is synchronized with TX0_CLK. It should be latched by PHY at the rising edge of TX0_CLK. In RMII mode, TX0D [1:0] are used as R0_TXD [1:0], 2-bit Transmit Data bus for Ethernet 0.
TX0_EN / R0_TXEN	O	Transmit Enable for Ethernet 0 in MII. It indicates the transmit activity to external PHY. It will be synchronized with TX0_CLK. In RMII mode, R0_TXEN shall be asserted synchronously with the first nibble of the preamble and shall remain asserted while all di-bits to be transmitted are presented. Of course, it is synchronized with R0_REFCLK.
RX0_CLK / R0_REFCLK	I	Receive Data Clock for Ethernet 0 in MII mode When it is used as a received clock pin, it is from PHY. The clock will be either 25 MHz or 2.5 MHz. The minimum duty cycle at its high or low state should be 35% of the nominal period for all conditions. In RMII mode, this pin is used as R0_REFCLK, Reference Clock; The clock shall be 50MHz +/- 50 ppm with minimum 35% duty cycle at high or low state.
RX0D [3:0] / R0_RXD [1:0]	I	Receive Data bus (4-bit) for Ethernet 0 in MII mode. They are driven by external PHY, and should be synchronized with RX0_CLK and valid only when RX0_DV is valid. In RMII mode, RX0D [1:0] are used as R0_RXD [1:0], 2-bit Receive Data bus for Ethernet 0.
RX0_DV / R0_CRSDV	I	Receive Data Valid for Ethernet 0 in MII mode. It will be asserted when received data is coming and present, and de-asserted at the end of the frame. In RMII mode, this pin is used as the R0_CRSDV, Carrier Sense / Receive Data Valid for Ethernet 0. The R0_CRSDV shall be asserted by PHY when the receive medium is non-idle. Loss of carrier shall result in the de-assertion of R0_CRSDV synchronous to the cycle of R0_REFCLK, and only on nibble boundaries.
RX0_ERR	I	Receive Data Error for Ethernet 0 in MII mode. It indicates a data error detected by PHY. The assertion should be lasted for longer than a period of RX0_CLK. When RX0_ERR is asserted, the MAC will report a CRC error.

W90N740 Reference Manual



Pins Description, Continued

PIN NAME	IO TYPE	DESCRIPTION
Ethernet Interface (1)		
MDC1	O	MII Management Data Clock for Ethernet 1. It is the reference clock of MDIO1. Each MDIO1 data will be latched at the rising edge of MDC1 clock.
MDIO1	IOU	MII Management Data I/O for Ethernet 1. It is used to transfer MII control and status information between PHY and MAC.
COL1	IU	Collision Detect for Ethernet 1 in MII mode. This shall be asserted by PHY upon detecting a collision happened over the medium. It will be asserted and lasted until collision condition vanishes.
CRS1	IU	Carrier Sense for Ethernet 1 in MII mode.
TX1_CLK	IU	Transmit Data Clock for Ethernet 1 in MII mode, TX1_CLK is driven by PHY and provides the timing reference for TX1_EN and TX1D. The clock will be 25MHz or 2.5 MHz.
TX1D [3:0] / R1A_TXD [1:0]	O	Transmit Data bus (4-bit) for Ethernet 1 in MII mode. The nibble transmit data bus is synchronized with TX1_CLK. It should be latched by PHY at the rising edge of TX1_CLK. In RMII mode, TX1D [1:0] are used as R1A_TXD [1:0], 2-bit Transmit Data bus for Ethernet 1.
TX1_EN / R1A_TXEN	O	Transmit Enable for Ethernet 1 in MII and RMII mode. It indicates the transmit activity to external PHY. It will be synchronized with TX1_CLK in MII mode.
RX1_CLK / R1A_REFCLK	IU	Receive Data Clock for Ethernet 1 in MII mode. When it is used as a received clock pin, it is from PHY. The clock will be either 25 MHz or 2.5 MHz. The minimum duty cycle at its high or low state should be 35% of the nominal period for all conditions. In RMII mode, this pin is used as R1A_REFCLK. The clock shall be 50MHz +/-50 ppm with minimum 35% duty cycle at high or low state.
RX1D [3:0] / R1A_RXD[1:0]	IU	Receive Data bus (4-bit) for Ethernet 1 in MII mode. They are driven by external PHY, and should be synchronized with RX1_CLK and valid only when RX1_DV is valid. In RMII mode, RX1D [1:0] are used as R1A_RXD [1:0], 2-bit Receive Data bus for Ethernet 1.
RX1_DV / R1A_CRSDV	IU	Receive Data Valid for Ethernet 1 in MII mode. It will be asserted when received data is coming and present, and de-asserted at the end of the frame. In RMII mode, this pin is used as the R1A_CRSDV, Carrier Sense / Receive Data Valid for Ethernet 1. The R1A_CRSDV shall be asserted by PHY when the receive medium is non-idle. Loss of carrier shall result in the de-assertion of R1A_CRSDV synchronous to the cycle of R1A_REFCLK, and only on nibble boundaries.
RX1_ERR / R1A_RXERR	IU	Receive Data Error for Ethernet 1 in MII and RMII mode. It indicates a data error detected by PHY. The assertion should be lasted for longer than a period of RX0_CLK. When RX0_ERR is asserted, the MAC will report a CRC error.

W90N740 Reference Manual



Pins Description, Continued

NAME	IO TYPE	DESCRIPTION
USB Interface		
DP	IO	Differential Positive USB IO signal
DN	IO	Differential Negative (Minus) USB IO signal
Miscellaneous		
GP[20:17] / nIRQ[3:0]	IO	External Interrupt Request or General Purpose I/O
GP16 / nXDREQ	IO	External DMA Request or General Purpose I/O
GP15 / nXDACK	IO	External DMA Acknowledge or General Purpose I/O
GP14 / TIMER1/SPEED	IO	Timer 1 or General Purpose I/O. This pin is also used as SPEED , Speed mode control for external USB transceiver
GP13 / TIMER0/STDBY	IO	Timer 0 or General Purpose I/O. This pin is also used as STDBY , StandBy control for external USB transceiver
GP12 / nWDOG	IO	Watchdog Timer Timeout Flag (active-low) or General Purpose I/O
GP11 / RxD	IO	UART Receive Data or General Purpose I/O
GP10 / TxD	IO	UART Transmit Data or General Purpose I/O
GP9 / nDSR / nTOE	IOU	UART Receive Clock or General Purpose I/O. This pin is also used as nTOE , Output Enable control (active-low) for external USB transceiver.
GP8 / nDTR / FSE0	IOU	UART Transmit Clock or General Purpose I/O. This pin is also used as SE0 , Differential Data Transceiver Output for external USB transceiver.
GP7 / nCD / VO	IOU	UART Carrier Detector or General Purpose I/O. This pin is also used as VO , Data Output for external USB transceiver.
GP6 / nCTS / VM	IOU	UART Clear to Send or General Purpose I/O. This pin is also used as VM , Data Negative (Minus) Input for external USB receiver.
GP5 / nRTS / VP	IOU	UART Ready to Send or General Purpose I/O. This pin is also used as VP , Data Positive Input for external USB receiver.
GP4 / nRI / RCV	IOU	UART Ring Indicator or General Purpose I/O. This pin is also used as RCV , Difference Receiver Input.
GP[3:0]	IOU	General Purpose I/O.
Power/Ground		
VDD18	P	Core Logic power (1.8V)
VSS18	G	Core Logic ground (0V)
VDD33	P	IO Buffer power (3.3V)
VSS33	G	IO Buffer ground (0V)
USBVDD	P	USB power (3.3V)
USBVSS	G	USB ground (0V)
DVDD18	P	PLL Digital power (1.8V)
DVSS18	G	PLL Digital ground (0V)
AVDD18	P	PLL Analog power (1.8V)
AVSS18	G	PLL Analog ground (0V)



6. ELECTRICAL CHARACTERISTICS

6.1. Absolute Maximum Ratings (To Be Added)

Ambient Temperature	
Storage Temperature	
Voltage on Any Pin	
Power Supply Voltage (Core logic)	
Power Supply Voltage (IO Buffer)	
Injection Current (latch-up testing)	
Crystal Frequency	

W90N740 Reference Manual



6.2. DC Characteristics

6.2.1. Digital DC Characteristics (To Be Added)

SYMBOL	PARAMETER	CONDITION	MIN.	MAX.	UNIT
V _{DD33} / USBV _{DD}	Power Supply				V
V _{DD18} / DV _{DD18} / AV _{DD18}	Power Supply				V
V _{IL}	Input Low Voltage				V
V _{IH}	Input High Voltage				V
V _{T+}	Schmitt Trigger positive-going threshold				V
V _{T-}	Schmitt trigger negative-going threshold				V
V _{OL}	Output Low Voltage				V
V _{OH}	Output High Voltage				V
I _{CC}	Supply Current				mA
I _{IH}	Input High Current				μA
I _{IL}	Input Low Current				μA
I _{IHP}	Input High Current (pull-up)				μA
I _{ILP}	Input Low Current (pull-up)				μA
I _{IHD}	Input High Current (pull-down)				μA
I _{ILD}	Input Low Current (pull-down)				μA

6.2.2. USB Transceiver DC Characteristics (To Be Added)

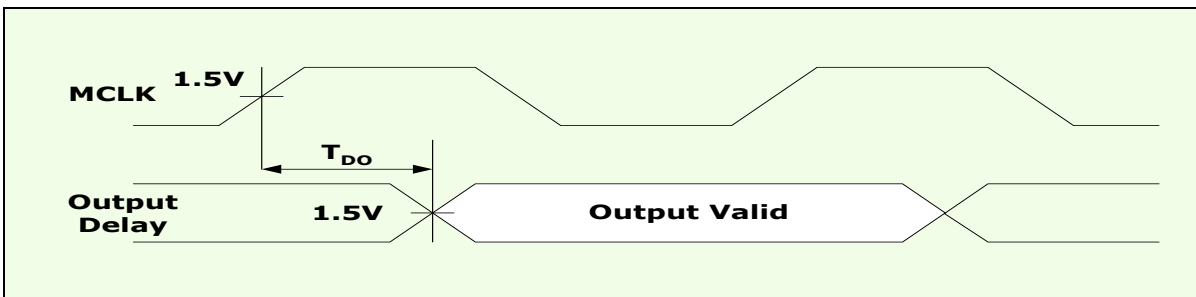
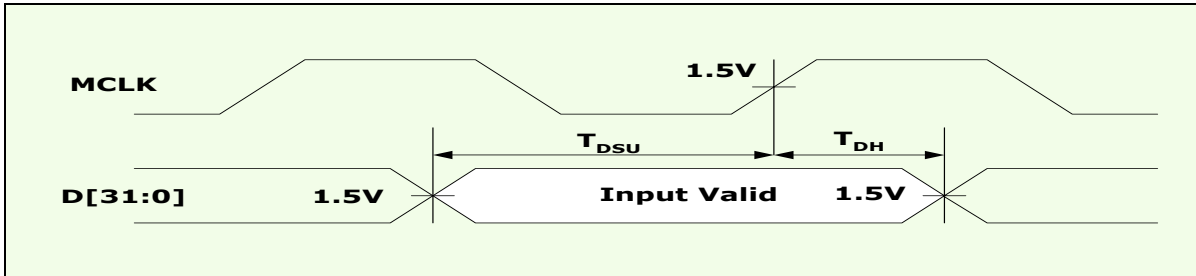
SYMBOL	PARAMETER	CONDITIONS	MIN.	MAX.	UNIT
V _{DI}	Differential Input Sensitivity				V
V _{CM}	Differential Common Mode Range				V
V _{SE}	Single Ended Receiver Threshold				V
V _{OL}	Static Output Low Voltage				V
V _{OH}	Static Output High Voltage				V
V _{CRS}	Output Signal Crossover Voltage				V
Z _{DRV}	Driver Output Resistance				Ω
C _{TIN}	Pin Capacitance				pF

W90N740 Reference Manual



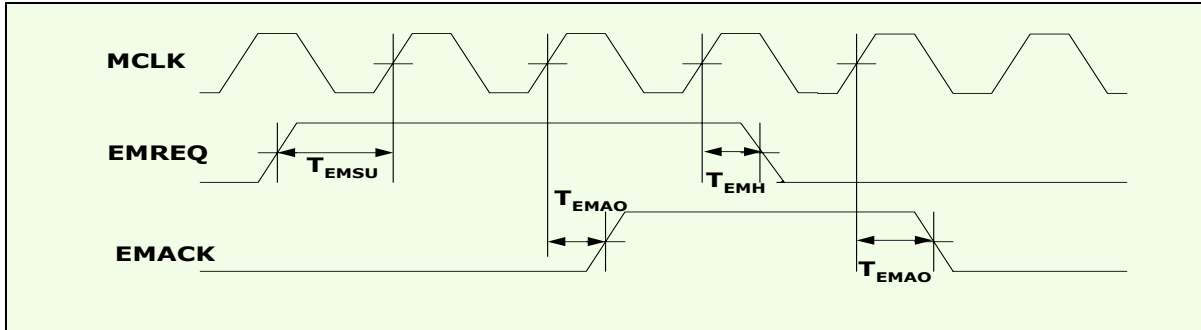
6.3. AC Characteristics

6.3.1. EBI/SDRAM Interface AC Characteristics



SYMBOL	PARAMETER	MIN.	MAX.	UNIT
T _{DSU}	D [31:0] Setup Time			nS
T _{DH}	D [31:0] Hold Time			nS
T _{DO}	D [31:0], A [24:0], nSCS [1:0], SDQM [3:0], CKE, nSWE, nSRAS, nSCAS			nS

6.3.2. EBI/External Master Interface AC Characteristics

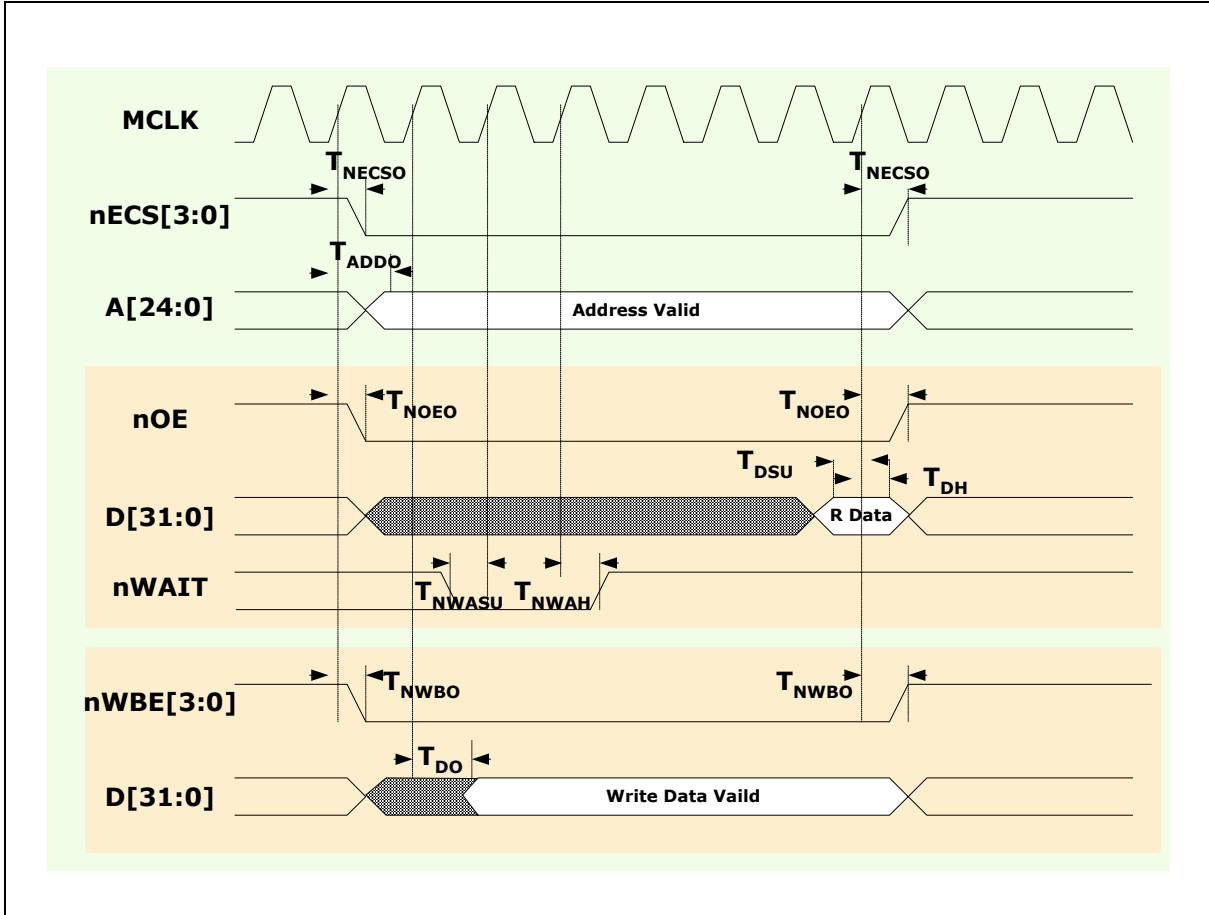


SYMBOL	DESCRIPTION	MIN	MAX	UNIT
T_{EMSU}	EMREQ Setup Time			nS
T_{EMH}	EMREQ Hold Time			nS
T_{EMAO}	EMACK Output Delay Time			nS

W90N740 Reference Manual



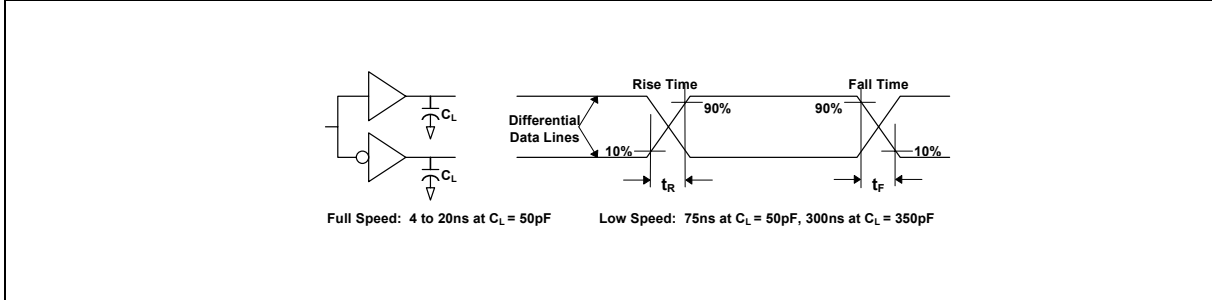
6.3.3. EBI/(ROM/SRAM/External I/O) AC Characteristics



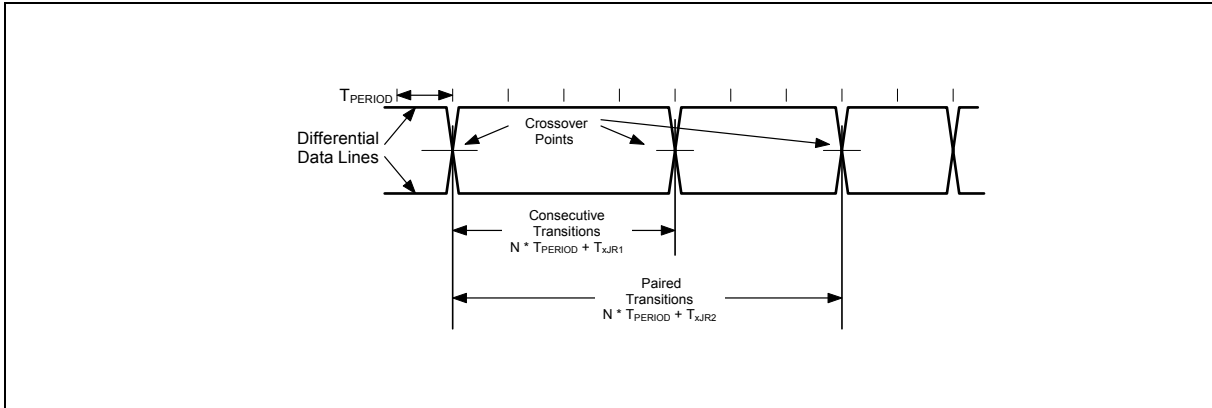
(To Be Added)

SYMBOL	DESCRIPTION	MIN.	MAX.	UNIT
T_{ADDO}	Address Output Delay Time			nS
T_{NCSO}	ROM/SRAM/Flash or External I/O Chip Select Delay Time			nS
T_{NOEO}	ROM/SRAM or External I/O Bank Output Enable Delay			nS
T_{NWBO}	ROM/SRAM or External I/O Bank Write Byte Enable Delay			nS
T_{DH}	Read Data Hold Time			nS
T_{DSU}	Read Data Setup Time			nS
T_{DOW}	Write Data Output Delay Time (SRAM or External I/O)			nS
T_{NWASU}	External Wait Setup Time			nS
T_{NWAH}	External Wait Hold Time			nS

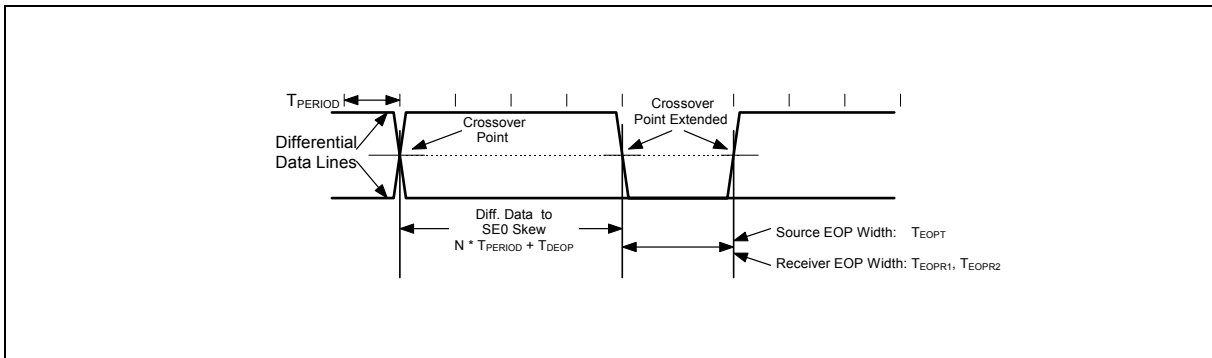
6.3.4. USB Transceiver AC Characteristics



Data Signal Rise and Fall Time

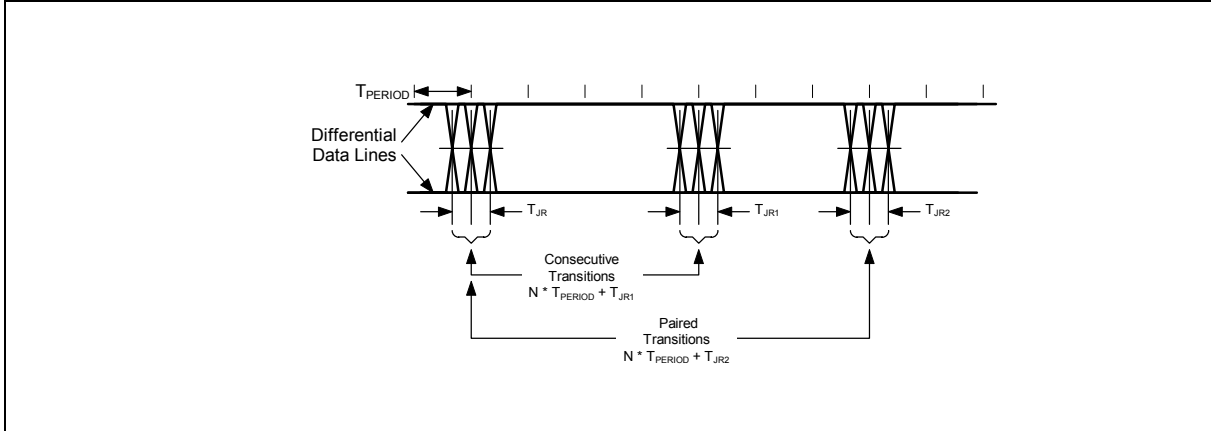


Differential Data Jitter



Differential to EOP Transition Skew and EOP Width

W90N740 Reference Manual



Receiver Jitter Tolerance

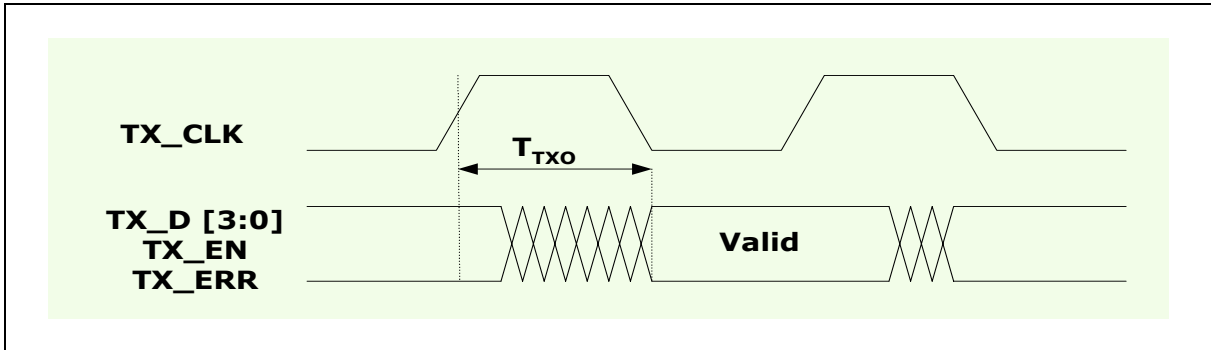
USB Transceiver AC Characteristics (To Be Added)

SYMBOL	DESCRIPTION	CONDITIONS	MIN.	MAX.	UNIT
T_R	Rise Time				nS
T_F	Fall Time				nS
T_{RFM}	Rise/Fall Time Matching				%
T_{DRATE}	Full Speed Data Rate				Mbps
T_{DJ1} T_{DJ2}	Source Differential Driver Jitter To Next Transition For Paired Transitions				nS
T_{EOPT}	Source EOP Width				nS
T_{DEOP}	Differential to EOP Transition Skew				nS
T_{JR1} T_{JR2}	Receiver Data Jitter Tolerance To Next Transition For Paired Transitions				nS
T_{EOPR1} T_{EOPR2}	EOP Width at Receiver Must Reject as EOP Must Accept as EOP				nS

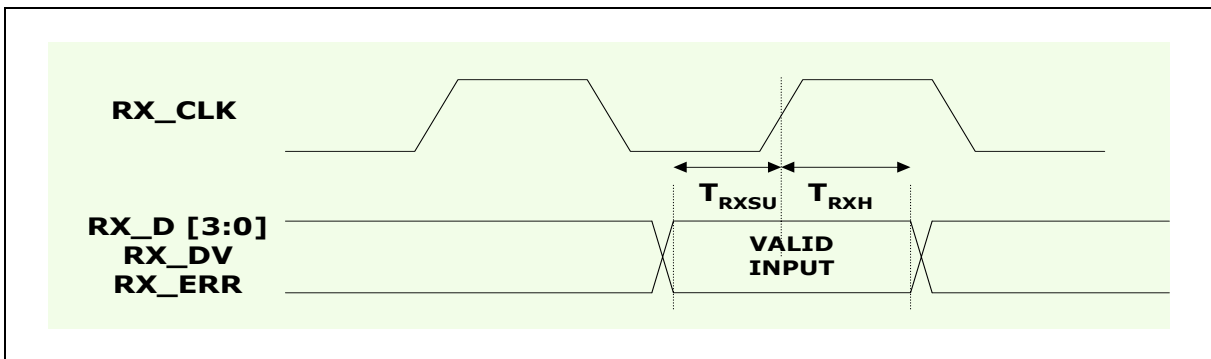


6.3.5. EMC MII AC Characteristics

The signal timing characteristics conforms to the guidelines specified in IEEE Std. 802.3.



Transmit Signal Timing Relationships at MII



Receive Signal Timing Relationships at MII

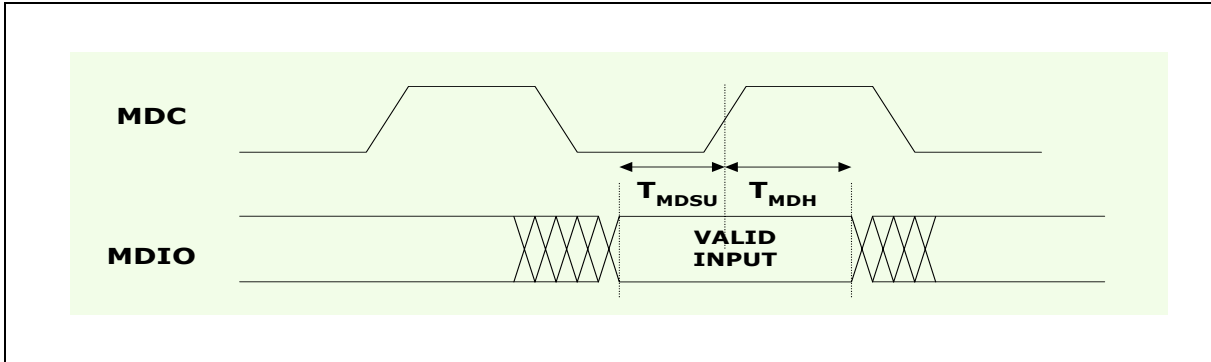
(To Be Added)

SYMBOL	DESCRIPTION	MIN.	MAX.	UNIT
T_{TXO}	Transmit Output Delay Time			nS
T_{RXSU}	Receive Setup Time			nS
T_{RXH}	Receive Hold Time			nS

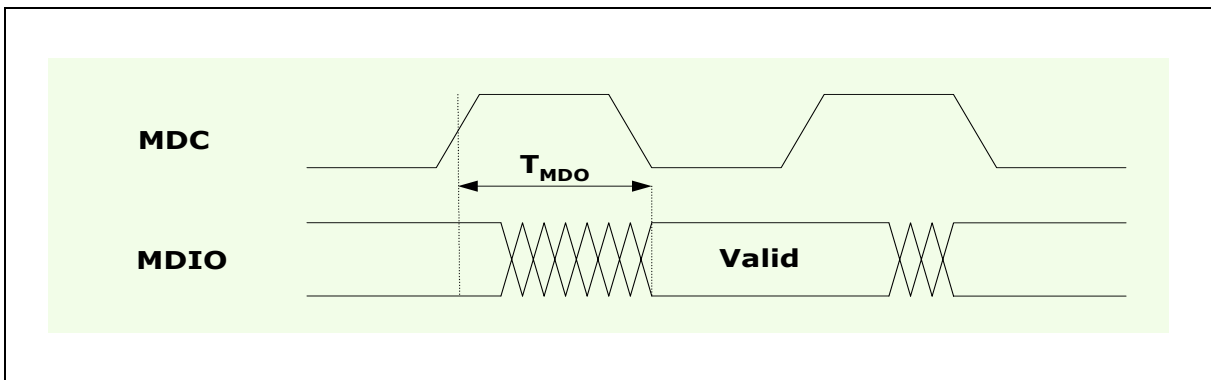
W90N740 Reference Manual



Continued



MDIO Read From PHY Timing



MDIO Write to PHY Timing

(To Be Added)

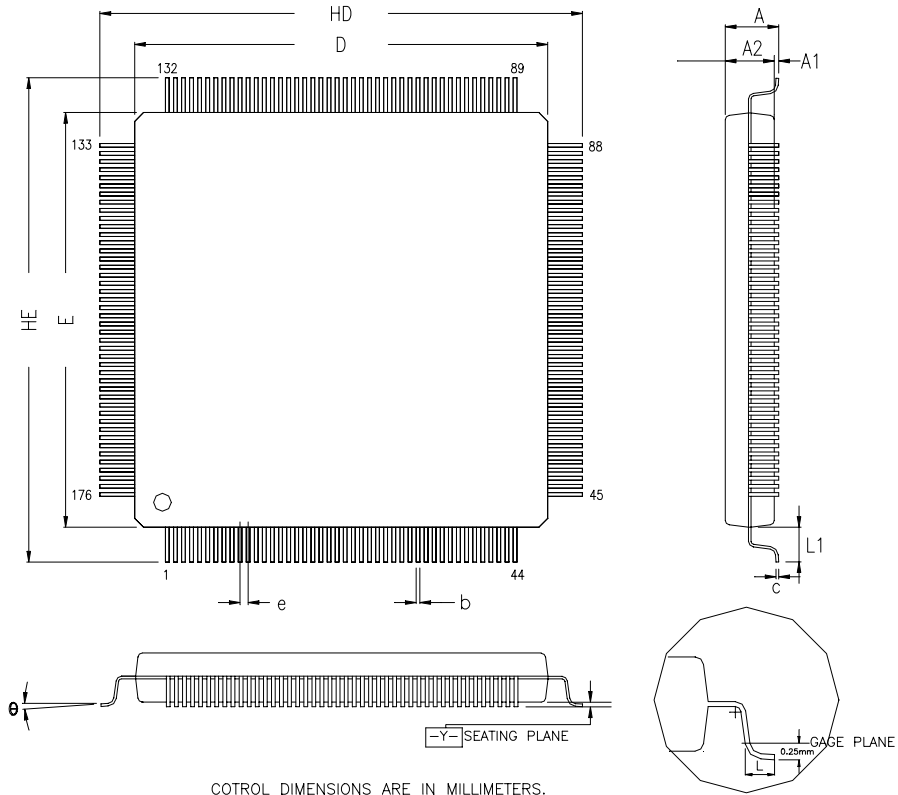
SYMBOL	DESCRIPTION	MIN.	MAX.	UNIT
T_{MDO}	MDIO Output Delay Time			nS
T_{MDSU}	MDIO Setup Time			nS
T_{MDH}	MDIO Hold Time			nS

W90N740 Reference Manual



7. PACKAGE DIMENSION

176-Pin LQFP



CONTROL DIMENSIONS ARE IN MILLIMETERS.

SYMBOL	MILLIMETER			INCH		
	MIN.	NOM.	MAX.	MIN.	NOM.	MAX.
A	—	—	1.60	—	—	0.063
A1	0.05	—	0.15	0.002	—	0.006
A2	1.35	1.40	1.45	0.053	0.055	0.057
HD	22.00 BSC.			0.866 BSC.		
D	20.00 BSC.			0.787 BSC.		
HE	22.00 BSC.			0.866 BSC.		
E	20.00 BSC.			0.787 BSC.		
b	0.13	0.16	0.23	0.005	0.006	0.009
e	0.40 BSC.			0.016 BSC.		
θ	0°	3.5°	7°	0°	3.5°	7°
L	0.45	0.60	0.75	0.018	0.024	0.030
L ₁	1.00 REF			0.039 REF		
c	0.09	—	0.20	0.004	—	0.008
Y	—	—	0.10	—	—	0.004

W90N740 Reference Manual



8. W90N740 REGISTERS MAPPING TABLE

R: read only, W: write only, R/W: both read and write, C: Only value 0 can be written

System Manager Control Registers Map

REGISTER	ADDRESS	R/W	DESCRIPTION	RESET VALUE
PDID	0xFFF0.0000	R	Product Identifier Register	0xX090.0740
ARBCON	0xFFF0.0004	R/W	Arbitration Control Register	0x0000.0000
PLLCON	0xFFF0.0008	R/W	PLL Control Register	0x0000.2F01
CLKSEL	0xFFF0.000C	R/W	Clock Select Register	0x0000.3FX8

EBI Control Registers Map

REGISTER	ADDRESS	R/W	DESCRIPTION	RESET VALUE
EBICON	0xFFF0.1000	R/W	EBI control register	0x0001.0000
ROMCON	0xFFF0.1004	R/W	ROM/FLASH control register	0x0000.0XFC
SDCONF0	0xFFF0.1008	R/W	SDRAM bank 0 configuration register	0x0000.0800
SDCONF1	0xFFF0.100C	R/W	SDRAM bank 1 configuration register	0x0000.0800
SDDTIME0	0xFFF0.1010	R/W	SDRAM bank 0 timing control register	0x0000.0000
SDDTIME1	0xFFF0.1014	R/W	SDRAM bank 1 timing control register	0x0000.0000
EXT0CON	0xFFF0.1018	R/W	External I/O 0 control register	0x0000.0000
EXT1CON	0xFFF0.101C	R/W	External I/O 1 control register	0x0000.0000
EXT2CON	0xFFF0.1020	R/W	External I/O 2 control register	0x0000.0000
EXT3CON	0xFFF0.1024	R/W	External I/O 3 control register	0x0000.0000
CKSKEW	0xFFF0.1F00	R/W	Clock skew control register	0xXXXX.0038

Cache Control Registers Map

REGISTER	ADDRESS	R/W	DESCRIPTION	RESET VALUE
CAHCNF	0xFFF0.2000	R/W	Cache configuration register	0x0000.0000
CAHCON	0xFFF0.2004	R/W	Cache control register	0x0000.0000
CAHADR	0xFFF0.2008	R/W	Cache address register	0x0000.0000

W90N740 Reference Manual



EMC 0 Control registers Map

REGISTER	ADDRESS	R/W	DESCRIPTION	RESET VALUE
CAM REGISTERS				
CAMCMR_0	0xFFF0.3000	R/W	CAM Command Register	0x0000.0000
CAMEN_0	0xFFF0.3004	R/W	CAM enable register	0x0000.0000
CAM1M_0	0xFFF0.3008	R/W	CAM1 Most Significant Word Register	0x0000.0000
CAM1L_0	0xFFF0.300C	R/W	CAM1 Least Significant Word Register	0x0000.0000
CAM2M_0	0xFFF0.3010	R/W	CAM2 Most Significant Word Register	0x0000.0000
CAM2L_0	0xFFF0.3014	R/W	CAM2 Least Significant Word Register	0x0000.0000
CAM3M_0	0xFFF0.3018	R/W	CAM3 Most Significant Word Register	0x0000.0000
CAM3L_0	0xFFF0.301C	R/W	CAM3 Least Significant Word Register	0x0000.0000
CAM4M_0	0xFFF0.3020	R/W	CAM4 Most Significant Word Register	0x0000.0000
CAM4L_0	0xFFF0.3024	R/W	CAM4 Least Significant Word Register	0x0000.0000
CAM5M_0	0xFFF0.3028	R/W	CAM5 Most Significant Word Register	0x0000.0000
CAM5L_0	0xFFF0.302C	R/W	CAM5 Least Significant Word Register	0x0000.0000
CAM6M_0	0xFFF0.3030	R/W	CAM6 Most Significant Word Register	0x0000.0000
CAM6L_0	0xFFF0.3034	R/W	CAM6 Least Significant Word Register	0x0000.0000
CAM7M_0	0xFFF0.3038	R/W	CAM7 Most Significant Word Register	0x0000.0000
CAM7L_0	0xFFF0.303C	R/W	CAM7 Least Significant Word Register	0x0000.0000
CAM8M_0	0xFFF0.3040	R/W	CAM8 Most Significant Word Register	0x0000.0000
CAM8L_0	0xFFF0.3044	R/W	CAM8 Least Significant Word Register	0x0000.0000
CAM9M_0	0xFFF0.3048	R/W	CAM9 Most Significant Word Register	0x0000.0000
CAM9L_0	0xFFF0.304C	R/W	CAM9 Least Significant Word Register	0x0000.0000
CAM10M_0	0xFFF0.3050	R/W	CAM10 Most Significant Word Register	0x0000.0000
CAM10L_0	0xFFF0.3054	R/W	CAM10 Least Significant Word Register	0x0000.0000
CAM11M_0	0xFFF0.3058	R/W	CAM11 Most Significant Word Register	0x0000.0000
CAM11L_0	0xFFF0.305C	R/W	CAM11 Least Significant Word Register	0x0000.0000
CAM12M_0	0xFFF0.3060	R/W	CAM12 Most Significant Word Register	0x0000.0000
CAM12L_0	0xFFF0.3064	R/W	CAM12 Least Significant Word Register	0x0000.0000
CAM13M_0	0xFFF0.3068	R/W	CAM13 Most Significant Word Register	0x0000.0000
CAM13L_0	0xFFF0.306C	R/W	CAM13 Least Significant Word Register	0x0000.0000
CAM14M_0	0xFFF0.3070	R/W	CAM14 Most Significant Word Register	0x0000.0000
CAM14L_0	0xFFF0.3074	R/W	CAM14 Least Significant Word Register	0x0000.0000

W90N740 Reference Manual



EMC 0 Control registers Map, continued

REGISTER	ADDRESS	R/W	DESCRIPTION	RESET VALUE
CAM REGISTERS				
CAM15M_0	0xFFF0.3078	R/W	CAM15 Most Significant Word Register	0x0000.0000
CAM15L_0	0xFFF0.307C	R/W	CAM15 Least Significant Word Register	0x0000.0000
CAM16M_0	0xFFF0.3080	R/W	CAM16 Most Significant Word Register	0x0000.0000
CAM16L_0	0xFFF0.3084	R/W	CAM16 Least Significant Word Register	0x0000.0000
MAC REGISTERS				
MIEN_0	0xFFF0.3088	R/W	MAC Interrupt Enable Register	0x0000.0000
MCMDR_0	0xFFF0.308C	R/W	MAC Command Register	0x0000.0000
MIID_0	0xFFF0.3090	R/W	MII Management Data Register	0x0000.0000
MIIDA_0	0xFFF0.3094	R/W	MII Management Data Control and Address Register	0x0090.0000
MPCNT_0	0xFFF0.3098	R/W	Missed Packet counter register	0x0000.7FFF
DMA REGISTERS				
TXDLA_0	0xFFF0.309C	R/W	Transmit Descriptor Link List Start Address register	0xFFFF.FFFC
RXDLA_0	0xFFF0.30A0	R/W	Receive Descriptor Link List Start Address register	0xFFFF.FFFC
DMARFC_0	0xFFF0.30A4	R/W	DMA Receive Frame Control Register	0x0000.0800
TSDR_0	0xFFF0.30A8	W	Transmit Start Demand Register	Undefined
RSDR_0	0xFFF0.30AC	W	Receive Start Demand Register	Undefined
FIFOTH_0	0xFFF0.30B0	R/W	FIFO Threshold Adjustment Register	0x0000.0101

W90N740 Reference Manual



EMC 0 Status Registers

REGISTER	ADDRESS	R/W	DESCRIPTION	RESET VALUE
MAC REGISTERS				
MISTA_0	0xFFFF0.30B4	R/W	MAC Interrupt Status Register	0x0000.0000
MGSTA_0	0xFFFF0.30B8	R/W	MAC General Status Register	0x0000.0000
MRPC_0	0xFFFF0.30BC	R	MAC Receive Pause count register	0x0000.0000
MRPCC_0	0xFFFF0.30C0	R	MAC Receive Pause Current Count Register	0x0000.0000
MREPC_0	0xFFFF0.30C4	R	MAC Remote pause count register	0x0000.0000
DMA REGISTERS				
DMARFS_0	0xFFFF0.30C8	R/W	DMA Receive Frame Status Register	0x0000.0000
CTXDSA_0	0xFFFF0.30CC	R	Current Transmit Descriptor Start Address Register	0x0000.0000
CTXBSA_0	0xFFFF0.30D0	R	Current Transmit Buffer Start Address Register	0x0000.0000
CRXDSA_0	0xFFFF0.30D4	R	Current Receive Descriptor Start Address Register	0x0000.0000
CRXBSA_0	0xFFFF0.30D8	R	Current Receive Buffer Start Address Register	0x0000.0000

W90N740 Reference Manual



EMC 1 Control Registers

REGISTER	ADDRESS	R/W	DESCRIPTION	RESET VALUE
CAM REGISTERS				
CAMCMR_1	0xFFFF0.3800	R/W	CAM Command Register	0x0000.0000
CAMEN_1	0xFFFF0.3804	R/W	CAM enable register	0x0000.0000
CAM1M_1	0xFFFF0.3808	R/W	CAM1 Most Significant Word Register	0x0000.0000
CAM1L_1	0xFFFF0.380C	R/W	CAM1 Least Significant Word Register	0x0000.0000
CAM2M_1	0xFFFF0.3810	R/W	CAM2 Most Significant Word Register	0x0000.0000
CAM2L_1	0xFFFF0.3814	R/W	CAM2 Least Significant Word Register	0x0000.0000
CAM3M_1	0xFFFF0.3818	R/W	CAM3 Most Significant Word Register	0x0000.0000
CAM3L_1	0xFFFF0.381C	R/W	CAM3 Least Significant Word Register	0x0000.0000
CAM4M_1	0xFFFF0.3820	R/W	CAM4 Most Significant Word Register	0x0000.0000
CAM4L_1	0xFFFF0.3824	R/W	CAM4 Least Significant Word Register	0x0000.0000
CAM5M_1	0xFFFF0.3828	R/W	CAM5 Most Significant Word Register	0x0000.0000
CAM5L_1	0xFFFF0.382C	R/W	CAM5 Least Significant Word Register	0x0000.0000
CAM6M_1	0xFFFF0.3830	R/W	CAM6 Most Significant Word Register	0x0000.0000
CAM6L_1	0xFFFF0.3834	R/W	CAM6 Least Significant Word Register	0x0000.0000
CAM7M_1	0xFFFF0.3838	R/W	CAM7 Most Significant Word Register	0x0000.0000
CAM7L_1	0xFFFF0.383C	R/W	CAM7 Least Significant Word Register	0x0000.0000
CAM8M_1	0xFFFF0.3840	R/W	CAM8 Most Significant Word Register	0x0000.0000
CAM8L_1	0xFFFF0.3844	R/W	CAM8 Least Significant Word Register	0x0000.0000
CAM9M_1	0xFFFF0.3848	R/W	CAM9 Most Significant Word Register	0x0000.0000
CAM9L_1	0xFFFF0.384C	R/W	CAM9 Least Significant Word Register	0x0000.0000
CAM10M_1	0xFFFF0.3850	R/W	CAM10 Most Significant Word Register	0x0000.0000
CAM10L_1	0xFFFF0.3854	R/W	CAM10 Least Significant Word Register	0x0000.0000
CAM11M_1	0xFFFF0.3858	R/W	CAM11 Most Significant Word Register	0x0000.0000
CAM11L_1	0xFFFF0.385C	R/W	CAM11 Least Significant Word Register	0x0000.0000
CAM12M_1	0xFFFF0.3860	R/W	CAM12 Most Significant Word Register	0x0000.0000
CAM12L_1	0xFFFF0.3864	R/W	CAM12 Least Significant Word Register	0x0000.0000
CAM13M_1	0xFFFF0.3868	R/W	CAM13 Most Significant Word Register	0x0000.0000
CAM13L_1	0xFFFF0.386C	R/W	CAM13 Least Significant Word Register	0x0000.0000

W90N740 Reference Manual



REGISTER	ADDRESS	R/W	DESCRIPTION	RESET VALUE
CAM REGISTERS				
CAM14M_1	0xFFF0.3870	R/W	CAM14 Most Significant Word Register	0x0000.0000
CAM14L_1	0xFFF0.3874	R/W	CAM14 Least Significant Word Register	0x0000.0000
CAM15M_1	0xFFF0.3878	R/W	CAM15 Most Significant Word Register	0x0000.0000
CAM15L_1	0xFFF0.387C	R/W	CAM15 Least Significant Word Register	0x0000.0000
CAM16M_1	0xFFF0.3880	R/W	CAM16 Most Significant Word Register	0x0000.0000
CAM16L_1	0xFFF0.3884	R/W	CAM16 Least Significant Word Register	0x0000.0000
MAC REGISTERS				
MIEN_1	0xFFF0.3888	R/W	MAC Interrupt Enable Register	0x0000.0000
MCMDR_1	0xFFF0.388C	R/W	MAC Command Register	0x0000.0000
MIID_1	0xFFF0.3890	R/W	MII Management Data Register	0x0000.0000
MIIDA_1	0xFFF0.3894	R/W	MII Management Data Control and Address Register	0x0090.0000
MPCNT_1	0xFFF0.3898	R/W	Missed Packet counter register	0x0000.7FFF
DMA REGISTERS				
TXDLSA_1	0xFFF0.389C	R/W	Transmit Descriptor Link List Start Address register	0xFFFF.FFFC
RXDLSA_1	0xFFF0.38A0	R/W	Receive Descriptor Link List Start Address register	0xFFFF.FFFC
DMARFC_1	0xFFF0.38A4	R/W	DMA Receive Frame Control Register	0x0000.0800
TSDR_1	0xFFF0.38A8	W	Transmit Start Demand Register	Undefined
RSDR_1	0xFFF0.38AC	W	Receive Start Demand Register	Undefined
FIFOTH_1	0xFFF0.38B0	R/W	FIFO Threshold Adjustment Register	0x0000.0101

W90N740 Reference Manual



EMC 1 Status Registers

REGISTER	ADDRESS	R/W	DESCRIPTION	RESET VALUE
MAC REGISTERS				
MISTA_1	0xFFF0.38B4	R/W	MAC Interrupt Status Register	0x0000.0000
MGSTA_1	0xFFF0.38B8	R/W	MAC General Status Register	0x0000.0000
MRPC_1	0xFFF0.38BC	R	MAC Receive Pause count register	0x0000.0000
MRPCC_1	0xFFF0.38C0	R	MAC Receive Pause Current Count Register	0x0000.0000
MREPC_1	0xFFF0.38C4	R	MAC Remote pause count register	0x0000.0000
DMA REGISTERS				
DMARFS_1	0xFFF0.38C8	R/W	DMA Receive Frame Status Register	0x0000.0000
CTXDSA_1	0xFFF0.38CC	R	Current Transmit Descriptor Start Address Register	0x0000.0000
CTXBSA_1	0xFFF0.38D0	R	Current Transmit Buffer Start Address Register	0x0000.0000
CRXDSA_1	0xFFF0.38D4	R	Current Receive Descriptor Start Address Register	0x0000.0000
CRXBSA_1	0xFFF0.38D8	R	Current Receive Buffer Start Address Register	0x0000.0000

GDMA Registers Map

REGISTER	ADDRESS	R/W	DESCRIPTION	RESET VALUE
GDMA_CTL0	0xFFF0.4000	R/W	Channel 0 Control Register	0x0000.0000
GDMA_SRCB0	0xFFF0.4004	R/W	Channel 0 Source Base Address Register	0x0000.0000
GDMA_DSTB0	0xFFF0.4008	R/W	Channel 0 Destination Base Address Register	0x0000.0000
GDMA_TCNT0	0xFFF0.400C	R/W	Channel 0 Transfer Count Register	0x0000.0000
GDMA_CSRC0	0xFFF0.4010	R	Channel 0 Current Source Address Register	0x0000.0000
GDMA_CDST0	0xFFF0.4014	R	Channel 0 Current Destination Address Register	0x0000.0000
GDMA_CTCNT0	0xFFF0.4018	R	Channel 0 Current Transfer Count Register	0x0000.0000
GDMA_CTL1	0xFFF0.4020	R/W	Channel 1 Control Register	0x0000.0000
GDMA_SRCB1	0xFFF0.4024	R/W	Channel 1 Source Base Address Register	0x0000.0000
GDMA_DSTB1	0xFFF0.4028	R/W	Channel 1 Destination Base Address Register	0x0000.0000
GDMA_TCNT1	0xFFF0.402C	R/W	Channel 1 Transfer Count Register	0x0000.0000
GDMA_CSRC1	0xFFF0.4030	R	Channel 1 Current Source Address Register	0x0000.0000
GDMA_CDST1	0xFFF0.4034	R	Channel 1 Current Destination Address Register	0x0000.0000
GDMA_CTCNT1	0xFFF0.4038	R	Channel 1 Current Transfer Count Register	0x0000.0000

W90N740 Reference Manual



USB Host Controller Registers Map

REGISTER	ADDRESS	R/W	DESCRIPTION	RESET VALUE
OpenHCI Registers				
HcRevision	0xFFF0.5000	R	Host Controller Revision Register	0x0000.0010
HcControl	0xFFF0.5004	R/W	Host Controller Control Register	0x0000.0000
HcCommandStatus	0xFFF0.5008	R/W	Host Controller Command Status Register	0x0000.0000
HcInterruptStatus	0xFFF0.500C	R/W	Host Controller Interrupt Status Register	0x0000.0000
HcInterruptEnable	0xFFF0.5010	R/W	Host Controller Interrupt Enable Register	0x0000.0000
HcInterruptDisable	0xFFF0.5014	R/W	Host Controller Interrupt Disable Register	0x0000.0000
HcHCCA	0xFFF0.5018	R/W	Host Controller Communication Area Register	0x0000.0000
HcPeriodCurrentED	0xFFF0.501C	R/W	Host Controller Period Current ED Register	0x0000.0000
HcControlHeadED	0xFFF0.5020	R/W	Host Controller Control Head ED Register	0x0000.0000
HcControlCurrentED	0xFFF0.5024	R/W	Host Controller Control Current ED Register	0x0000.0000
HcBulkHeadED	0xFFF0.5028	R/W	Host Controller Bulk Head ED Register	0x0000.0000
HCBulkCurrentED	0xFFF0.502C	R/W	Host Controller Bulk Current ED Register	0x0000.0000
HcDoneHead	0xFFF0.5030	R/W	Host Controller Done Head Register	0x0000.0000
HcFmInterval	0xFFF0.5034	R/W	Host Controller Frame Interval Register	0x0000.2EDF
HcFrameRemaining	0xFFF0.5038	R	Host Controller Frame Remaining Register	0x0000.0000
HcFmNumber	0xFFF0.503C	R	Host Controller Frame Number Register	0x0000.0000
HcPeriodicStart	0xFFF0.5040	R/W	Host Controller Periodic Start Register	0x0000.0000
HcLSThreshold	0xFFF0.5044	R/W	Host Controller Low Speed Threshold Register	0x0000.0628
HcRhDescriptorA	0xFFF0.5048	R/W	Host Controller Root Hub Descriptor A Register	0x0100.0002
HcRhDescriptorB	0xFFF0.504C	R/W	Host Controller Root Hub Descriptor B Register	0x0000.0000
HcRhStatus	0xFFF0.5050	R/W	Host Controller Root Hub Status Register	0x0000.0000
HcRhPortStatus [1]	0xFFF0.5054	R/W	Host Controller Root Hub Port Status [1]	0x0000.0000
HcRhPortStatus [2]	0xFFF0.5058	R/W	Host Controller Root Hub Port Status [2]	0x0000.0000

W90N740 Reference Manual



NATA Registers Map

REGISTER	OFFSET	R/W	DESCRIPTION	RESET VALUE
NATA Control and Status Registers				
NATCMD	0xFFF0.6000	R/W	NAT Command Register	0x0000.0000
NATCCLR0	0xFFF0.6010	W	NAT Counter 0 Clear Register	0x0000.0000
NATCCLR1	0xFFF0.6014	W	NAT Counter 1 Clear Register	0x0000.0000
NATCCLR2	0xFFF0.6018	W	NAT Counter 2 Clear Register	0x0000.0000
NATCCLR3	0xFFF0.601C	W	NAT Counter 3 Clear Register	0x0000.0000
NATCFG0	0xFFF0.6100	R/W	NAT Entry 0 Configuration Register	0x0000.0000
NATCFG1	0xFFF0.6104	R/W	NAT Entry 1 Configuration Register	0x0000.0000
.
.
.
NATCFG63	0xFFF0.61FC	R/W	NAT Entry 63 Configuration Register	0x0000.0000
EXMACM	0xFFF0.6200	R/W	External MAC Address Most Significant Word Register	0x0000.0000
EXMACL	0xFFF0.6204	R/W	External MAC Address Least Significant Word Register	0x0000.0000
INMACM	0xFFF0.6208	R/W	Internal MAC Address Most Significant Word Register	0x0000.0000
INMACL	0xFFF0.620C	R/W	Internal MAC Address Least Significant Word Register	0x0000.0000

W90N740 Reference Manual



REGISTER	OFFSET	R/W	DESCRIPTION	RESET VALUE
Address Lookup and Replacement Registers				
MASAD0	0xFFF0.6800	R/W	NAT Masquerading IP Address Entry 0	0x0000.0000
MASPN0	0xFFF0.6804	R/W	NAT Masquerading Port Number Entry 0	0x0000.0000
LSAD0	0xFFF0.6808	R/W	Local Station IP Address Entry 0	0x0000.0000
LSPN0	0xFFF0.680C	R/W	Local Station Port Number Entry 0	0x0000.0000
LSMAC0M	0xFFF0.6810	R/W	Local Station MAC Address Most Significant Word Register for Entry 0	0x0000.0000
LSMAC0L	0xFFF0.6814	R/W	Local Station MAC Address Least Significant Word Register for Entry 0	0x0000.0000
RSMAC0M	0xFFF0.6818	R/W	Remote Station MAC Address Most Significant Word Register for Entry 0	0x0000.0000
RSMAC0L	0xFFF0.681C	R/W	Remote Station MAC Address Least Significant Word Register for Entry 0	0x0000.0000
MASAD1	0xFFF0.6820	R/W	NAT Masquerading IP Address Entry 1	0x0000.0000
MASPN1	0xFFF0.6824	R/W	NAT Masquerading Port Number Entry 1	0x0000.0000
LSAD1	0xFFF0.6828	R/W	Local Station IP Address Entry 1	0x0000.0000
LSPN1	0xFFF0.682C	R/W	Local Station Port Number Entry 1	0x0000.0000
LSMAC1M	0xFFF0.6830	R/W	Local Station MAC Address Most Significant Word Register for Entry 1	0x0000.0000
LSMAC1L	0xFFF0.6834	R/W	Local Station MAC Address Least Significant Word Register for Entry 1	0x0000.0000
RSMAC1M	0xFFF0.6838	R/W	Remote Station MAC Address Most Significant Word Register for Entry 1	0x0000.0000
RSMAC1L	0xFFF0.683C	R/W	Remote Station MAC Address Least Significant Word Register for Entry 1	0x0000.0000
...
MASAD63	0xFFF0.6FE0	R/W	NAT Masquerading IP Address Entry 63	0x0000.0000
MASPN63	0xFFF0.6FE4	R/W	NAT Masquerading Port Number Entry 63	0x0000.0000
LSAD63	0xFFF0.6FE8	R/W	Local Station IP Address Entry 63	0x0000.0000
LSPN63	0xFFF0.6FEC	R/W	Local Station Port Number Entry 63	0x0000.0000
LSMAC63M	0xFFF0.6FF0	R/W	Local Station MAC Address Most Significant Word Register for Entry 63	0x0000.0000
LSMAC63L	0xFFF0.6FF4	R/W	Local Station MAC Address Least Significant Word Register for Entry 63	0x0000.0000
RSMAC63M	0xFFF0.6FF8	R/W	Remote Station MAC Address Most Significant Word Register for Entry 63	0x0000.0000
RSMAC63L	0xFFF0.6FFC	R/W	Remote Station MAC Address Least Significant Word Register for Entry 63	0x0000.0000

W90N740 Reference Manual



UART Control Registers Map

REGISTER	ADDRESS	R/W	DESCRIPTION	RESET VALUE
RBR	0xFFF8.0000	R	Receive Buffer Register (DLAB = 0)	Undefined
THR	0xFFF8.0000	W	Transmit Holding Register (DLAB = 0)	Undefined
IER	0xFFF8.0004	R/W	Interrupt Enable Register (DLAB = 0)	0x0000.0000
DLL	0xFFF8.0000	R/W	Divisor Latch Register (LS) (DLAB = 1)	0x0000.0000
DLM	0xFFF8.0004	R/W	Divisor Latch Register (MS) (DLAB = 1)	0x0000.0000
IIR	0xFFF8.0008	R	Interrupt Identification Register	0x8181.8181
FCR	0xFFF8.0008	W	FIFO Control Register	Undefined
LCR	0xFFF8.000C	R/W	Line Control Register	0x0000.0000
MCR	0xFFF8.0010	R/W	Modem Control Register	0x0000.0000
LSR	0xFFF8.0014	R	Line Status Register	0x6060.6060
MSR	0xFFF8.0018	R	MODEM Status Register	0x0000.0000
TOR	0xFFF8.001C	R	Time Out Register	0x0000.0000

Timer Control Registers Map

REGISTER	ADDRESS	R/W	DESCRIPTION	RESET VALUE
TCR0	0xFFF8.1000	R/W	Timer Control Register 0	0x0000.0005
TCR1	0xFFF8.1004	R/W	Timer Control Register 1	0x0000.0005
TICR0	0xFFF8.1008	R/W	Timer Initial Control Register 0	0x0000.00FF
TICR1	0xFFF8.100C	R/W	Timer Initial Control Register 1	0x0000.00FF
TDR0	0xFFF8.1010	R	Timer Data Register 0	0x0000.0000
TDR1	0xFFF8.1014	R	Timer Data Register 1	0x0000.0000
TISR	0xFFF8.1018	R/C	Timer Interrupt Status Register	0x0000.0000
WTCR	0xFFF8.101C	R/W	Watchdog Timer Control Register	0x0000.0000

GPIO Controller Registers Map

REGISTER	ADDRESS	R/W	DESCRIPTION	RESET VALUE
GPIO_CFG	0xFFF8.3000	R/W	GPIO Configuration Register	0x0000.0000
GPIO_DIR	0xFFF8.3004	R/W	GPIO Direction Register	0x0000.0000
GPIO_DATAOUT	0xFFF8.3008	R/W	GPIO Data Output Register	0x0000.0000
GPIO_DATAIN	0xFFF8.300C	R	GPIO Data Input Register	Undefined
DEBNC_CTRL	0xFFF8.3010	R/W	De-bounce Control Register	0x0000.0000

W90N740 Reference Manual



AIC Registers Map

REGISTER	ADDRESS	R/W	DESCRIPTION	RESET VALUE
AIC_SCR1	0xFFF8.2004	R/W	Source Control Register 1	0x0000.0047
AIC_SCR2	0xFFF8.2008	R/W	Source Control Register 2	0x0000.0047
AIC_SCR3	0xFFF8.200C	R/W	Source Control Register 3	0x0000.0047
AIC_SCR4	0xFFF8.2010	R/W	Source Control Register 4	0x0000.0047
AIC_SCR5	0xFFF8.2014	R/W	Source Control Register 5	0x0000.0047
AIC_SCR6	0xFFF8.2018	R/W	Source Control Register 6	0x0000.0047
AIC_SCR7	0xFFF8.201C	R/W	Source Control Register 7	0x0000.0047
AIC_SCR8	0xFFF8.2020	R/W	Source Control Register 8	0x0000.0047
AIC_SCR9	0xFFF8.2024	R/W	Source Control Register 9	0x0000.0047
AIC_SCR10	0xFFF8.2028	R/W	Source Control Register 10	0x0000.0047
AIC_SCR11	0xFFF8.202C	R/W	Source Control Register 11	0x0000.0047
AIC_SCR12	0xFFF8.2030	R/W	Source Control Register 12	0x0000.0047
AIC_SCR13	0xFFF8.2034	R/W	Source Control Register 13	0x0000.0047
AIC_SCR14	0xFFF8.2038	R/W	Source Control Register 14	0x0000.0047
AIC_SCR15	0xFFF8.203C	R/W	Source Control Register 15	0x0000.0047
AIC_SCR16	0xFFF8.2040	R/W	Source Control Register 16	0x0000.0000
AIC_SCR17	0xFFF8.2044	R/W	Source Control Register 17	0x0000.0000
AIC_SCR18	0xFFF8.2048	R/W	Source Control Register 18	0x0000.0000
AIC_IRSR	0xFFF8.2100	R	Interrupt Raw Status Register	0x0000.0000
AIC_IASR	0xFFF8.2104	R	Interrupt Active Status Register	0x0000.0000
AIC_ISR	0xFFF8.2108	R	Interrupt Status Register	0x0000.0000
AIC_IPER	0xFFF8.210C	R	Interrupt Priority Encoding Register	0x0000.0000
AIC_ISNR	0xFFF8.2110	R	Interrupt Source Number Register	0x0000.0000
AIC_IMR	0xFFF8.2114	R	Interrupt Mask Register	0x0000.0000
AIC_OISR	0xFFF8.2118	R	Output Interrupt Status Register	0x0000.0000
AIC_MECR	0xFFF8.2120	W	Mask Enable Command Register	Undefined
AIC_MDCR	0xFFF8.2124	W	Mask Disable Command Register	Undefined
AIC_SSCR	0xFFF8.2128	W	Source Set Command Register	Undefined
AIC_SCCR	0xFFF8.212C	W	Source Clear Command Register	Undefined
AIC_EOSCR	0xFFF8.2130	W	End of Service Command Register	Undefined

W90N740 Reference Manual



9. ORDERING INFORMATION

PART NUMBER	NAME	PACKAGE DESCRIPTION
W90N740CD	LQFP176	176 Leads, body 22 x 22 x 1.4 mm

10. REVISION HISTORY

VERSION	DATE	PAGE	DESCRIPTION
A1	March 18, 2003	-	Initial Issued
A2	May 9, 2003	1, 4	Add registered trademark after ARM7TDMI



Headquarters
No. 4, Creation Rd. III,
Science-Based Industrial Park,
Hsinchu, Taiwan
TEL: 886-3-5770066
FAX: 886-3-5665577
<http://www.winbond.com.tw/>

Taipei Office
9F, No.480, Rueiguang Rd.,
Neihu District, Taipei, 114,
Taiwan, R.O.C.
TEL: 886-2-8177-7168
FAX: 886-2-8751-3579

Winbond Electronics Corporation America
2727 North First Street, San Jose,
CA 95134, U.S.A.
TEL: 1-408-9436666
FAX: 1-408-5441798

Winbond Electronics Corporation Japan
7F Daini-ueno BLDG, 3-7-18
Shinyokohama Kohoku-ku,
Yokohama, 222-0033
TEL: 81-45-4781881
FAX: 81-45-4781800

Winbond Electronics (Shanghai) Ltd.
27F, 2299 Yan An W. Rd. Shanghai,
200336 China
TEL: 86-21-62365999
FAX: 86-21-62365998

Winbond Electronics (H.K.) Ltd.
Unit 9-15, 22F, Millennium City,
No. 378 Kwun Tong Rd.,
Kowloon, Hong Kong
TEL: 852-27513100
FAX: 852-27552064

*Please note that all data and specifications are subject to change without notice.
All the trade marks of products and companies mentioned in this data sheet belong to their respective owners.*

*Publication Release Date: May 9, 2003
Revision A2*