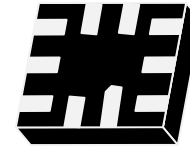
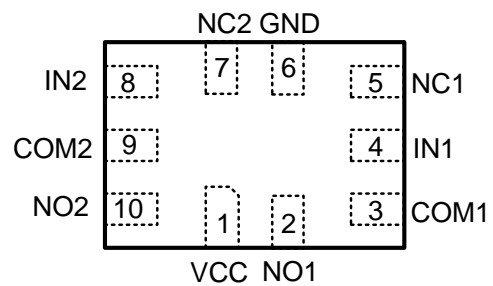


WAS4723Q
Low On Resistance, Dual SPDT Analog Switch
[Http://www.willsemi.com](http://www.willsemi.com)
Descriptions

The WAS4723Q is a high performance, dual Single Pole Double Throw (SPDT) analog switch that features ultra-low Ron of 0.5 Ω (typical) at 3.0V VCC. The WAS4723Q operates over a wide VCC range of 2.3V to 5.5V and is designed for break-before-make operation. The select input is TTL-level compatible.

WAS4723Q is also featured with smart circuitry to minimize VCC leakage current even when the control voltage is lower than VCC supply voltage. This feature suits mobile handset applications by allowing direct interface with baseband processor general-purpose IO with minimal battery consumption. In other word, there is no need of additional device to shift control level to be the same as that of VCC in real application.

The WAS4723Q is available in QFN1418-10L package. Standard product is Pb-Free and halogen-Free.


QFN1418-10L

Pin configuration (Top view)
Features

- Supply voltage : 2.3 ~ 5.5V
- ultra-low On Resistance : 0.5 Ω
- High Off isolation : -81dB @ 1KHz
- Crosstalk Rejection : -83dB @ 1KHz
- -3dB Bandwidth : 50MHz
- Rail-to-Rail Signal Range
- Break-Before-Make Switching
- Low quiescent current over an Expanded Control Input Range
- HBM JEDEC: JESD22-A114
 - ◆ IO to GND : ±8KV
 - ◆ Power to GND : ±5KV


23 = Device code
*** = Month (A~Z)**
Marking
Applications

- Cell phones, PDA, Digital Camera and Notebook
- LCD Monitor, TV and Set-Top Box
- Audio and Video Signal Routing
- Other electronics equipments

Order information

Device	Package	Shipping
WAS4723Q-10/TR	QFN1418-10L	3000/Reel&Tape

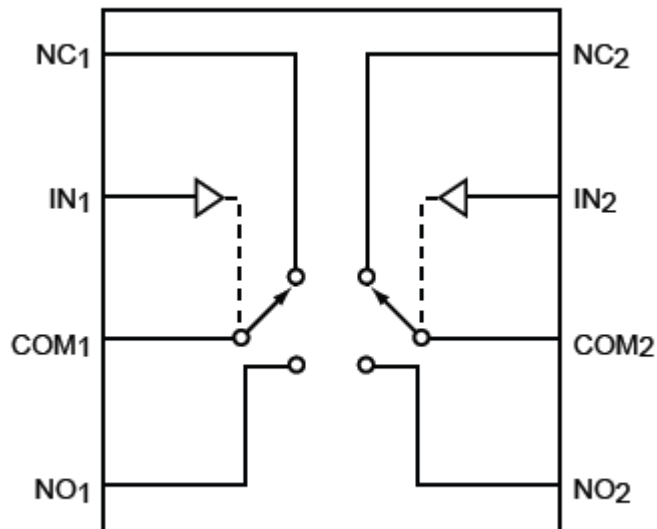
Pin descriptions

Pin Number	Symbol	Descriptions
2,10	NO _x	Data Port(Normally open)
6	GND	Ground
5,7	NC _x	Data Port(Normally closed)
3,9	COM _x	Common Data Port
1	VCC	Positive Power Supply
4,8	IN _x	Logic Control

Function descriptions

Logic Input(IN _x)	Function
0	NC _x Connected to COM _x
1	NO _x Connected to COM _x

Note: _x=1 or 2

Functional Block Diagram


Absolute Maximum Ratings ⁽¹⁾

Parameter	Symbol	Value	Unit
Supply Voltage	V_{CC}	-0.3 ~ 6.5	V
Control Input Voltage	V_{IN_X}	-0.3 ~ 6.5	V
DC Input Voltage ⁽²⁾	V_{INPUT}	-0.3 ~ 6.5	V
Continuous Current NO_NC_COM_		±300	mA
Peak Current NO_NC_COM_ (pulsed at 1ms 50% duty cycle)		±400	mA
Peak Current NO_NC_COM_ (pulsed at 1ms 10% duty cycle)		±500	mA
Storage Temperature Range	T_{STG}	-65 ~ 150	°C
Junction Temperature under Bias	T_J	150	°C
Lead Temperature (Soldering, 10 seconds)	T_L	260	°C
Power Dissipation	P_D	250	mW

Recommend operating ratings ⁽³⁾

Parameter	Symbol	Value	Unit
Supply Voltage Operating	V_{CC}	2.3 ~ 5.5	V
Control Input Voltage	V_{IN}	0.0 ~ V_{CC}	V
Input Signal Voltage	V_{IS}	0.0 ~ V_{CC}	V
Operating Temperature	T_A	-40 ~ 85	°C
Input Raise and Fall Time(Control Input $V_{CC}=2.3\sim 3.6V$)	t_r, t_f	0 ~ 10	ns/V
Thermal Resistance	$R_{\theta JA}$	350	°C/W

Note:

1. “Absolute Maximum Ratings” may cause permanent damage to the device. This is a stress only rating and operation of the device at these or any other conditions beyond those indicated in the operational sections of this specification is not implied.
2. The input and output negative voltage ratings may be exceeded if the input and output diode current ratings are observed.
3. Control input must be held high or Low, it must not float.

DC Electronics Characteristics (Ta=25°C, VCC=4.5V, unless otherwise noted)

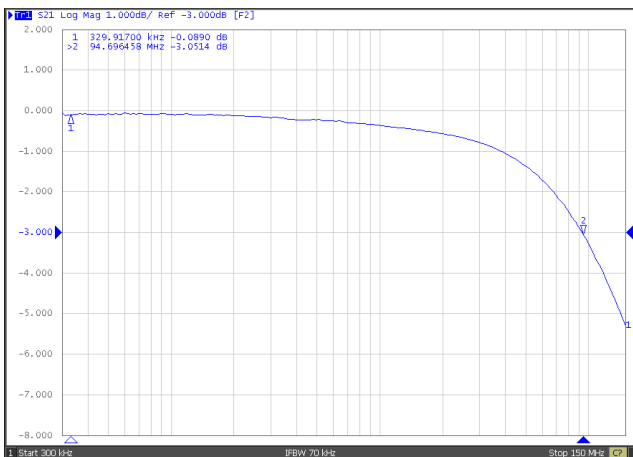
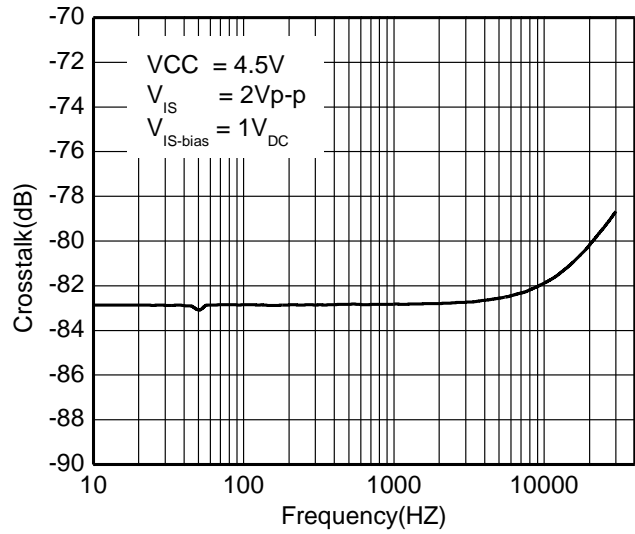
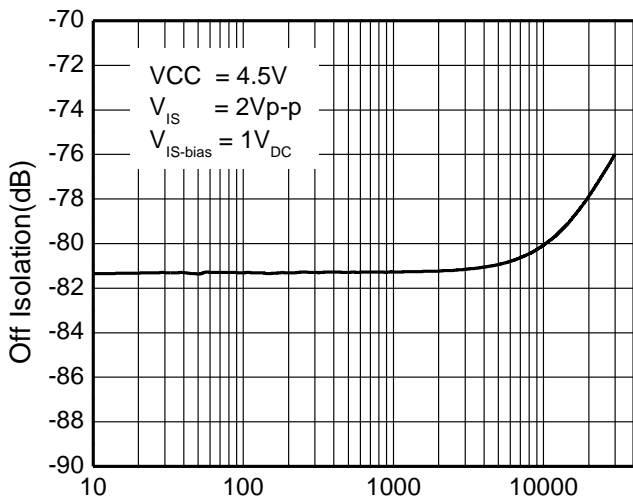
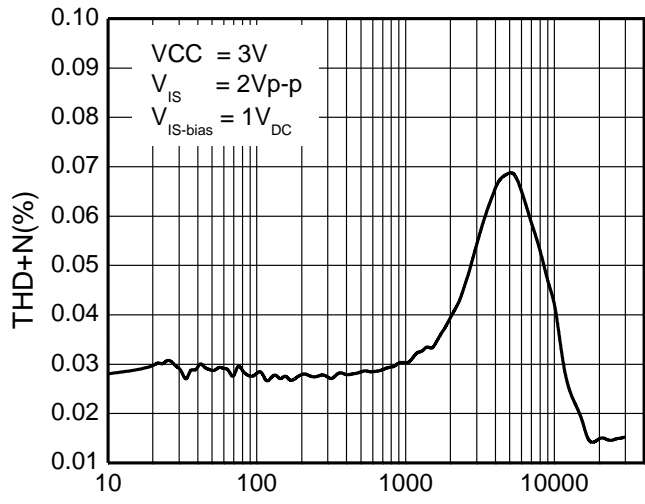
Parameter	Symbol	Conditions	Min.	Typ.	Max.	Unit
Input logic high level	V _{IH}	VCC: 3.0 ~ 4.5	1.6			V
		VCC: 2.3 ~ 3.0	1.4			V
Input logic low level	V _{IL}	VCC: 3.0 ~ 4.5			0.6	V
		VCC: 2.3 ~ 3.0			0.4	V
Supply quiescent current	I _{CC}	I _{OUT} =0, V _{IN} =0 or V _{IN} =VCC			1.0	μA
Increase in I _{CC} per input	I _{CCT}	I _{OUT} =0, VCC=4.5 V _{IN} >1.8 or V _{IN} <0.5			2.0	μA
Input leakage current	I _{IN}	V _{SEL} =VCC			±1.0	μA
Off state switch leakage current	I _{OFF}				±1.0	μA
On state switch leakage current	I _{ON}				±1.0	μA
On-Resistance	R _{ON}	VCC=4.5V, V _{IS} =0~4.5V, I _{ON} =100mA,		0.5		Ω
		VCC=3.0V, V _{IS} =0~3.0V, I _{OUT} =100mA,		0.6		Ω
On-Resistance Matching Between Channels	Δ R _{ON}	VCC=4.5V, V _{IS} =0.8V, I _{OUT} =100mA,		0.08		Ω
		VCC=3.0V, V _{IS} =0.8V, I _{OUT} =100mA,		0.12		Ω
On-Resistance Flatness	R _{FLAT(ON)}	VCC=4.5V, V _{IS} =0~4.5V, I _{OUT} =100mA,			0.2	Ω
		VCC=3.0V, V _{IS} =0~3.0V, I _{OUT} =100mA,			0.2	Ω

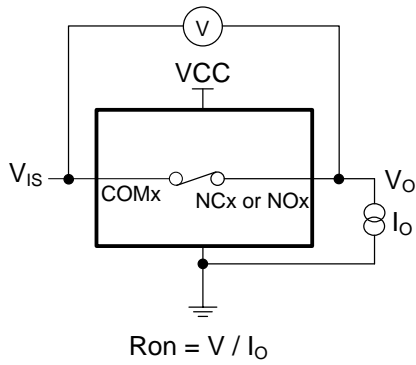
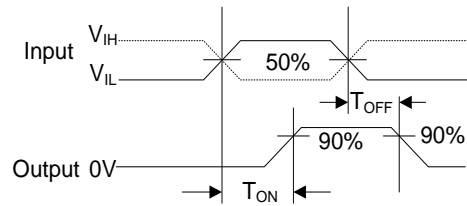
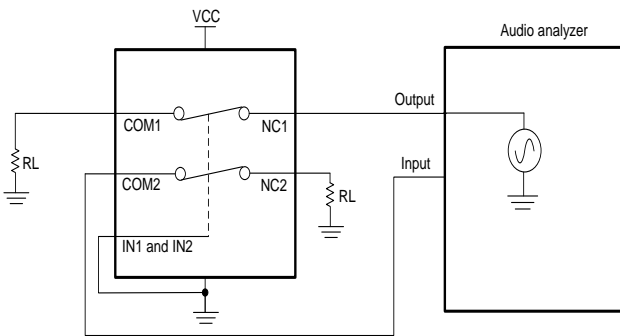
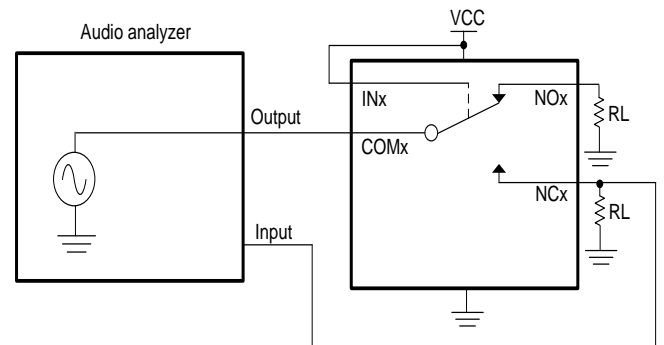
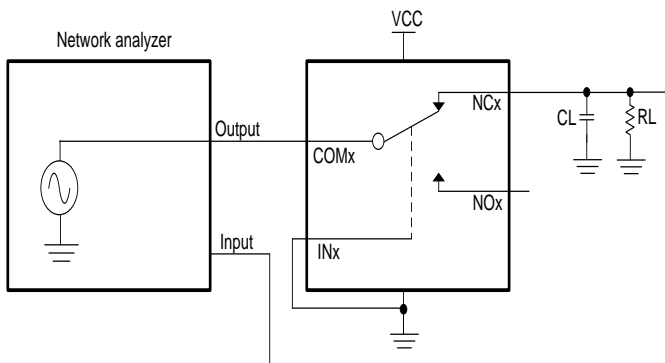
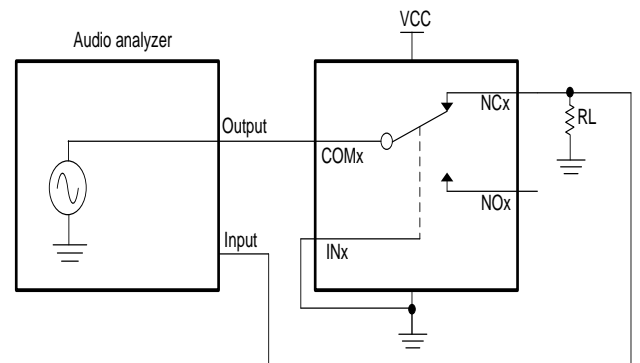
AC Electronics Characteristics (Ta=25°C, VCC=4.5V, unless otherwise noted)

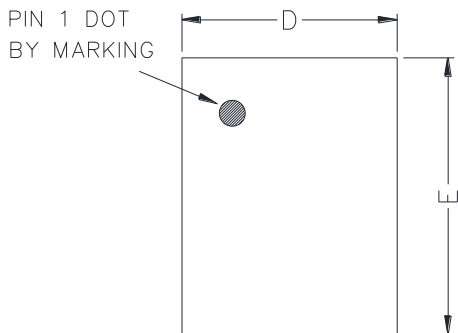
Parameter	Symbol	Conditions	Min.	Typ.	Max.	Unit
Turn-On Time	T _{ON}	VCC=4.5V, V _{IS} =1.5V, C _L =35pF, R _L =50Ω		200		ns
Turn-Off Time	T _{OFF}	VCC=4.5V, V _{IS} =1.5V, C _L =35pF, R _L =50Ω		200		ns
Break-Before-Make time	T _{BBM}	Generate by design		100		ns
-3dB Bandwidth	BW	R _L =50Ω, C _L =0pF		50		MHz
Off isolation (Per Channel)	OIRR	F=1KHz, R _L =50Ω		-81		dB
		F=10KHz, R _L =50Ω		-80		dB
Crosstalk (Channel to Channel)	Xtalk	F=1KHz, R _L =50Ω		-83		dB
		F=10KHz, R _L =50Ω		-82		dB
Total Harmonic Distortion	THD	F=20Hz to 20KHz R _L =32Ω, V _{IS} =2Vp-p		0.02		%

Capacitance (Ta=25°C unless otherwise noted)

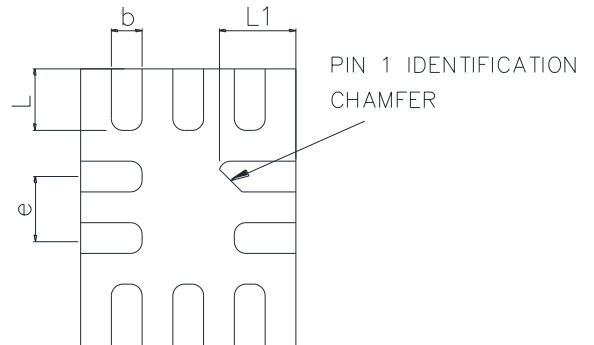
Parameter	Symbol	Conditions	Min.	Typ.	Max.	Unit
Off capacitance	C _{OFF}	F=100KHz, VCC=3.3V		40		pF
On capacitance	C _{ON}	F=100KHz, VCC=3.3V		100		pF

Typical Characteristics (Ta=25°C, VCC=4.5V, unless otherwise noted)

Bandwidth (BW)

Crosstalk (Xtalk)

Off Isolation

THD+N

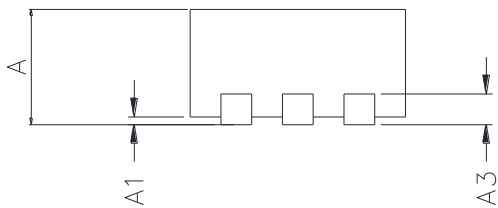
Test Circuits

ON-Resistance (R_{ON})

ON/OFF Time Waveforms (T_{ON} / T_{OFF})

Crosstalk (Xtalk)

Off isolation (OIRR)

Bandwidth (BW)

THD+N

PACKAGE OUTLINE DIMENSIONS
QFN1418-10L


TOP VIEW

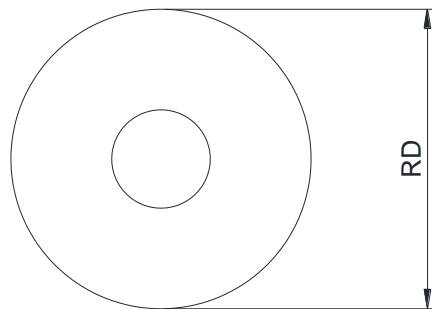
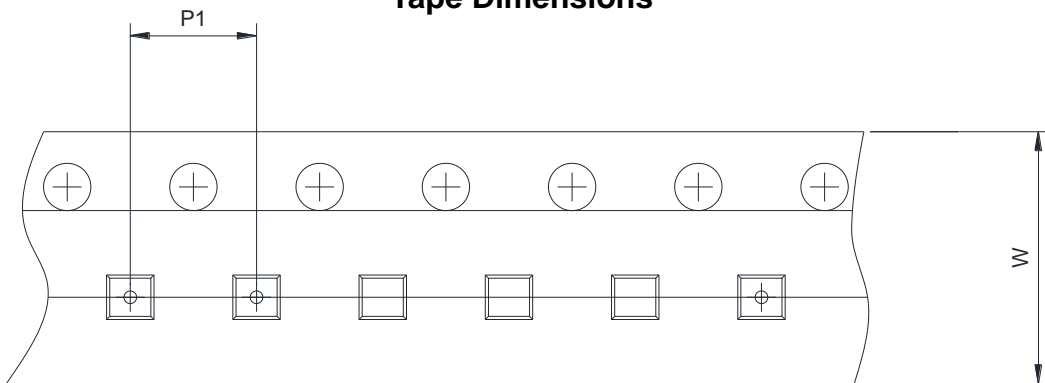
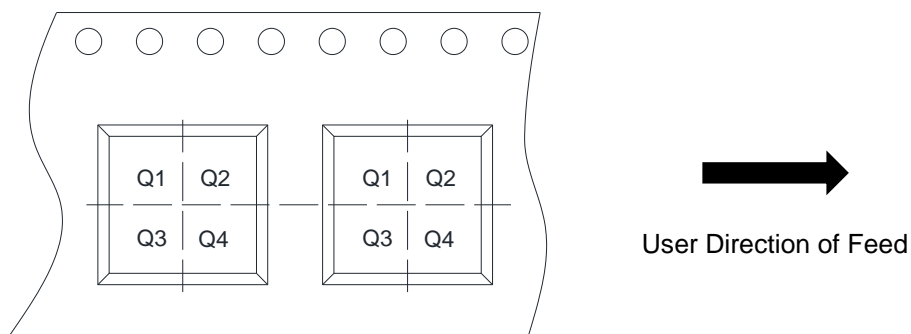


BOTTOM VIEW



SIDE VIEW

Symbol	Dimensions in Millimeters		
	Min.	Typ.	Max.
A	0.50	0.55	0.60
A1	0.00	-	0.05
A3	0.15 Ref.		
D	1.35	1.40	1.45
E	1.75	1.80	1.85
b	0.15	0.20	0.25
L	0.30	0.40	0.50
L1	0.40	0.50	0.60
e	0.40 BSC		

TAPE AND REEL INFORMATION
Reel Dimensions

Tape Dimensions

Quadrant Assignments For PIN1 Orientation In Tape


RD	Reel Dimension	<input checked="" type="checkbox"/> 7inch <input type="checkbox"/> 13inch
W	Overall width of the carrier tape	<input checked="" type="checkbox"/> 8mm <input type="checkbox"/> 12mm
P1	Pitch between successive cavity centers	<input type="checkbox"/> 2mm <input checked="" type="checkbox"/> 4mm <input type="checkbox"/> 8mm
Pin1	Pin1 Quadrant	<input checked="" type="checkbox"/> Q1 <input type="checkbox"/> Q2 <input type="checkbox"/> Q3 <input type="checkbox"/> Q4