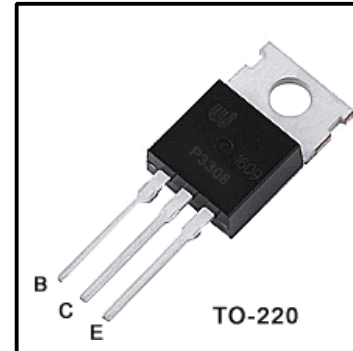


High Voltage Fast-Switching NPN Power Transistor
Features

- Very high switching speed
- High Voltage Capability
- Wide Reverse Bias SOA

General Description

This Device is designed for high voltage, High speed switching characteristics required such as lighting system, switching mode power supply.


Absolute Maximum Ratings

Symbol	Parameter	Test Conditions	Value	Units
V_{CBO}	Collect-Emmitter Voltage	$V_{BE}=0$	900	V
V_{CEO}	Collector-Emmitter Voltage	$I_B=0$	500	V
V_{EBO}	Emmitter-Base Voltage	$I_C=0$	7	V
I_C	Collector Current		7	A
I_{CP}	Collector pulse Current (Note)		14	A
I_B	Base Current		3	
P_C	Total Dissipation at $T_c=25^\circ\text{C}$		45	W
T_J	Operation Junction Temperature		150	$^\circ\text{C}$
T_{STG}	Storage Temperature		-55~150	$^\circ\text{C}$

Thermal Characteristics

Symbol	Parameter	Value	Units
$R_{\theta JC}$	Thermal Resistance Junction to Case	2.78	$^\circ\text{C}/\text{W}$

Electrical Characteristics ($T_c=25^{\circ}\text{C}$ unless otherwise noted)

Symbol	Parameter	Test conditions	Value			Units
			Min	Typ	Max	
I_{CBO}	Collector Cut-off Current	$V_{CB}=500V, I_e=0A$	-	-	10	μA
I_{EBO}	Emitter Cut-off Current	$V_{EB}=5V, I_c=0A$	-	-	10	μA
BV_{CBO}	Collector-Base Breakdown Voltage	$I_c=1mA, I_e=0$	900	1100	-	V
BV_{CEO}	Collector-Emitter Breakdown Voltage	$I_c=5mA, I_b=open$	500	560	-	V
BV_{EBO}	Emitter-Base Breakdown Voltage	$I_e=1mA, I_c=0$	7	9	-	V
$V_{CE(sat)}$	Collector -Emitter Saturation Voltage	$I_c=3A, I_b=0.6A$	-	-	1	V
$V_{BE(sat)}$	Base -Emitter saturation Voltage	$I_c=3A, I_b=0.6A$	-	-	1.5	V
h_{FE}	DC Current Gain	$V_{ce}=5V, I_c=0.6A$	20	-	50	
		$V_{ce}=5V, I_c=3A$	8	-	-	
f_T	Gain-Bandwidth Product	$V_{ce}=10V, I_c=0.6A$	-	-	18	MHz
C_{ob}	Output Capacitance	$V_{CB}=10V, f=1MHz$	-	-	80	pF
t_{on}	Turn on Time	$V_{CC}=5V, I_c=0.5A$	-	-	0.6	μs
t_s	Storage Time	$V_{CC}=5V, I_c=0.5A$	3	-	8	μs
t_f	Fall Time	$V_{CC}=5V, I_c=0.5A$	-	-	0.4	μs

Note:

 Pulse Test: Pulse width $\leq 300\mu s$, Duty cycle 10%

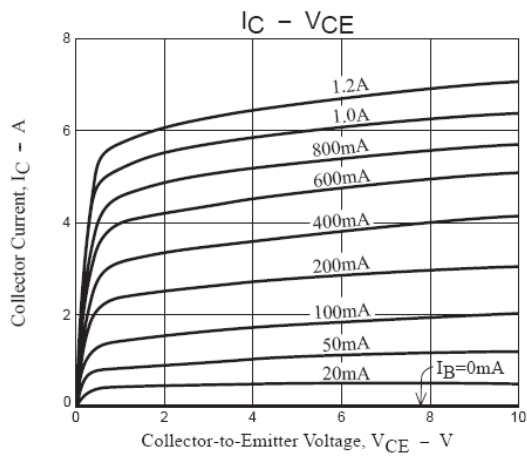


Fig. 1 Collector Current VS Collector-Emitter Voltage

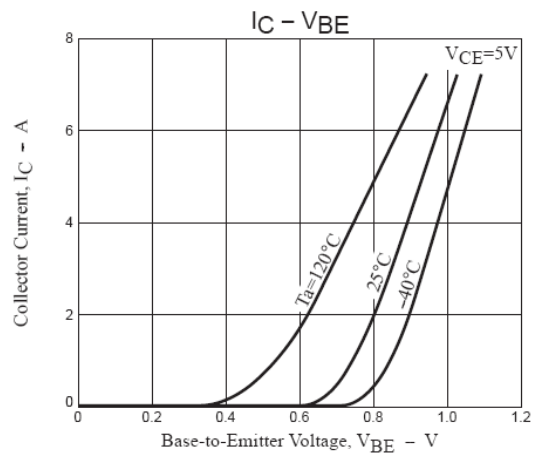


Fig. 2 Collector Current VS Emitter-Base Voltage

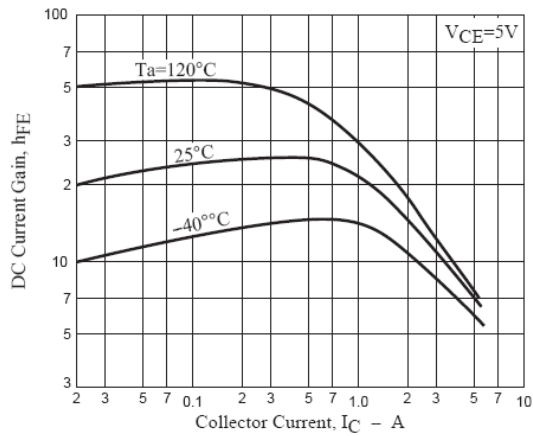


Fig. 3 DC Current Gain

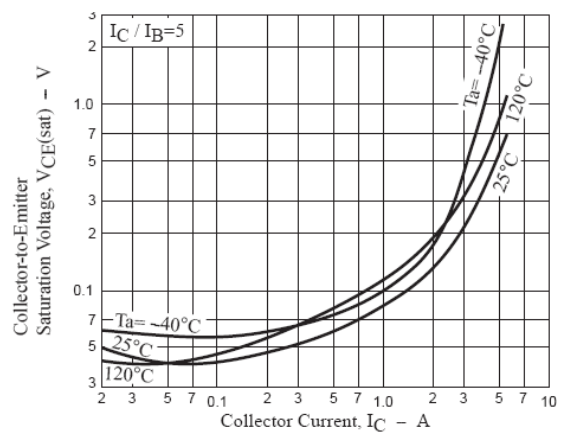


Fig. 4 Collector-Emitter Saturation Voltage

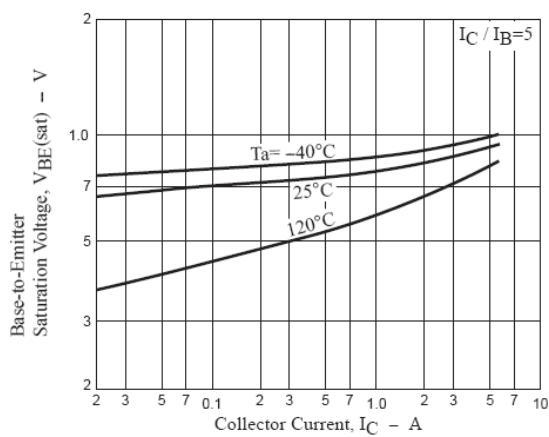


Fig. 5 Base-Emitter Saturation Voltage

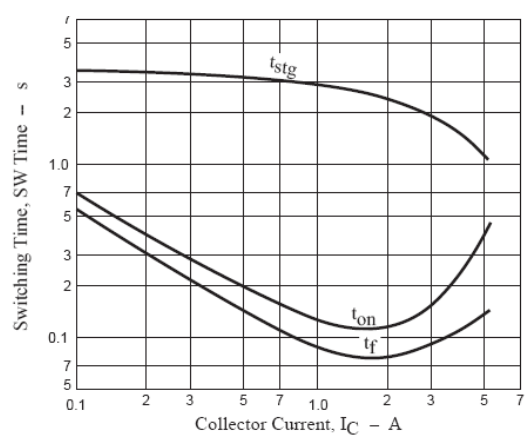


Fig.6 Switching Time

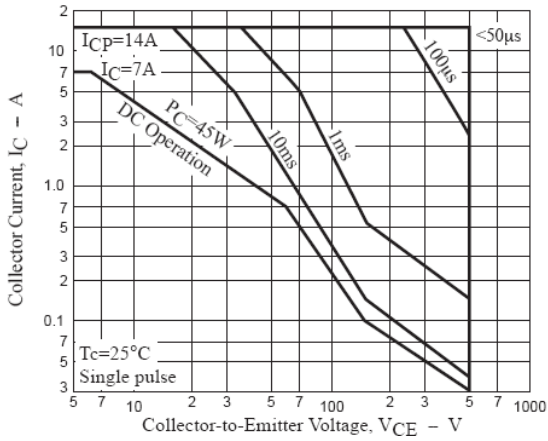


Fig.7 Safe Operation Area

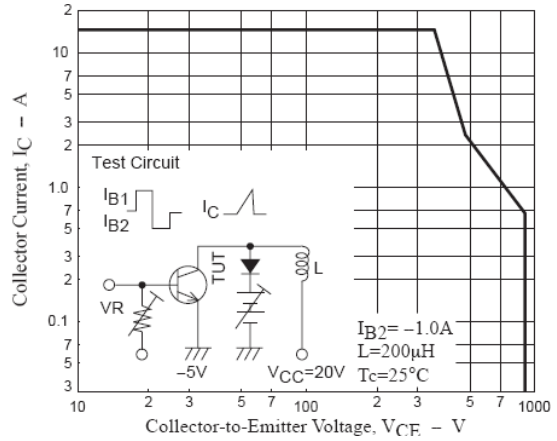


Fig.8 Reverse Biased Safe Operation Area

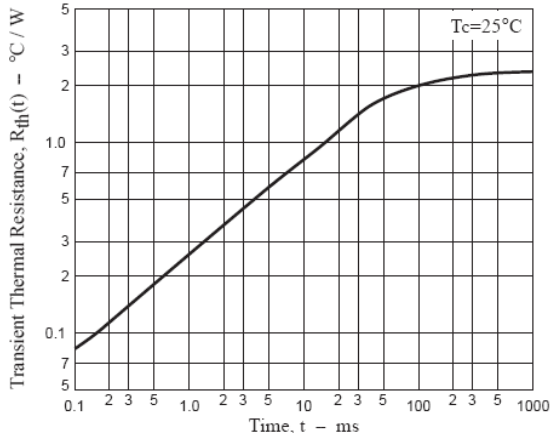


Fig.9 Thermal Resistance

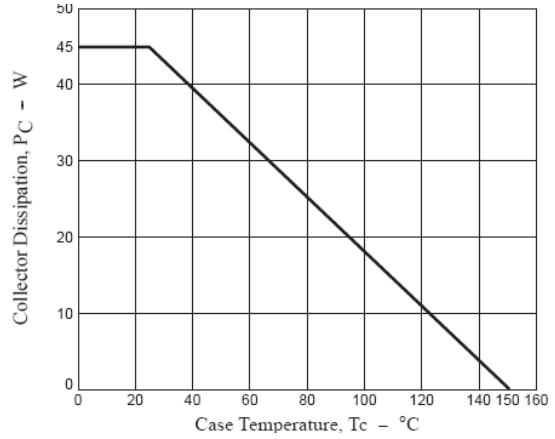


Fig.10 Power Derating

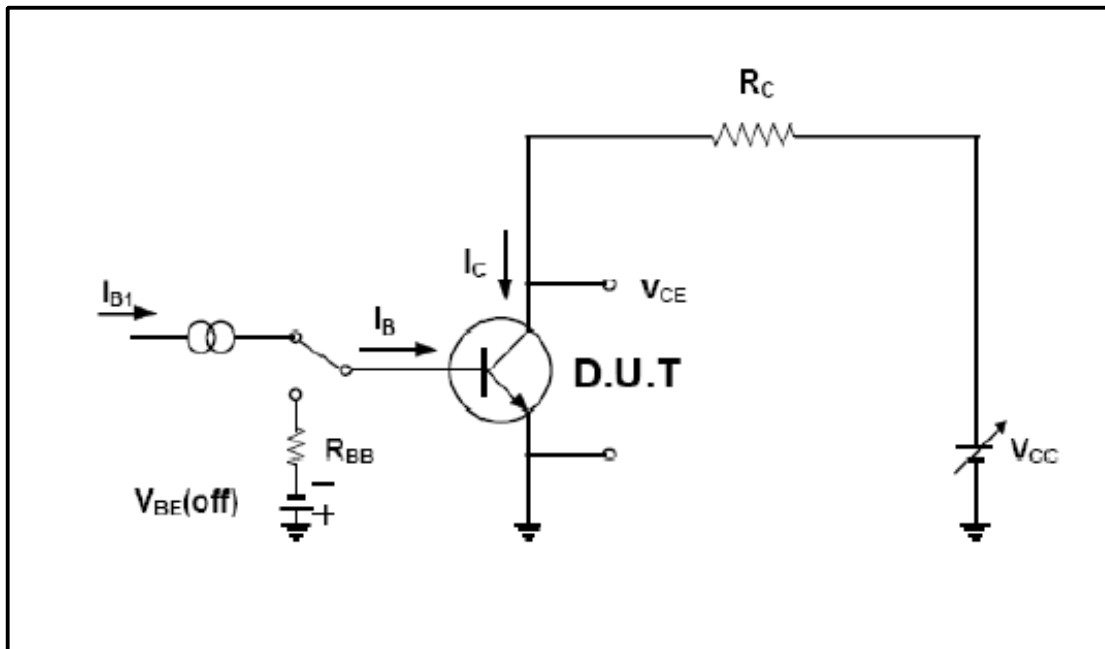


Fig.11 Inductive Load Switching & RBSOA Test Circuit

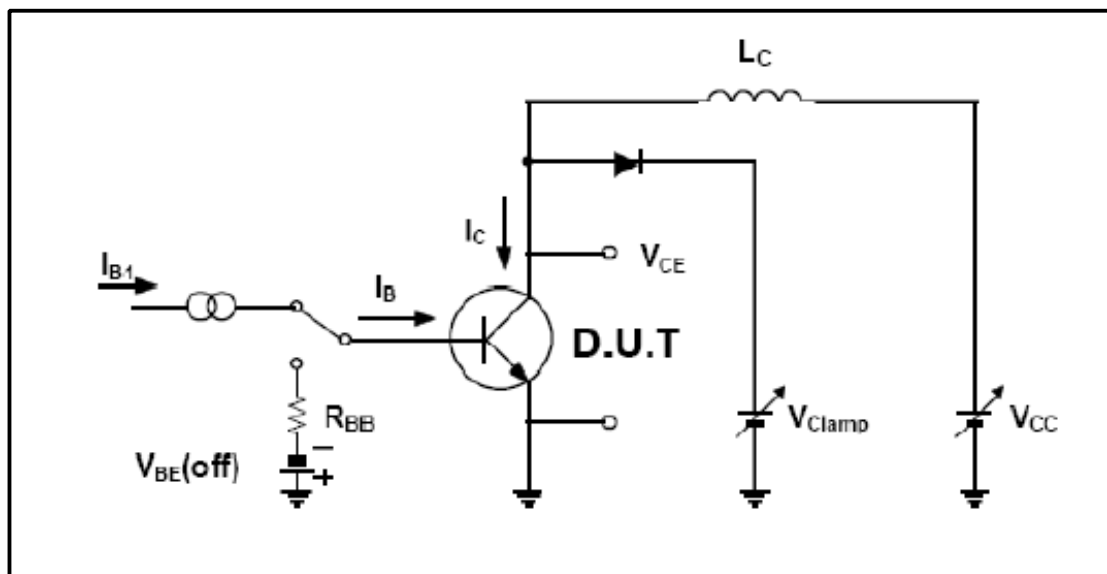


Fig.12 Inductive Load Switching & RBSOA Test Circuit

To-220 Package Dimension

