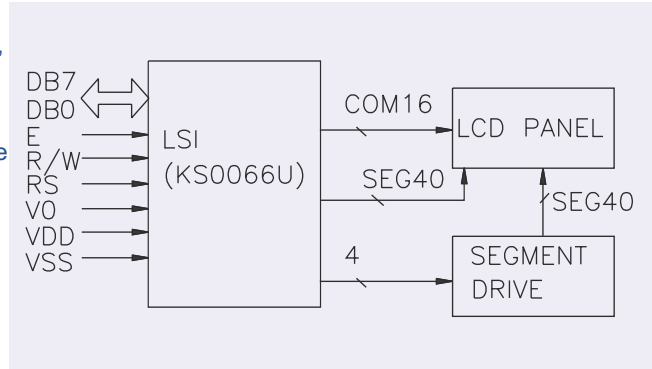


WC-1602A0

FEATURES

- **Display Mode** : Reflective / Transflective / Transmissive, Positive / Negative, STN, Normal / Extend Temp.
- **Color** : Display Dot : Dark blue
Background : Yellow-Green/ Gray/ Blue
- **Display Format** : 16 Characters x 2 Lines
- **Interface Input Data** : 4 bit or 8 bit interface available
- **Character Font** : 5 x 7 Dots with cursor
- **Driving Method** : 1/16 Duty
- **Viewing Direction** : 6 O'clock
- **Back Light** : LED / EL

BLOCK DIAGRAM



ELECTRO-OPTICAL CHARACTERISTICS

Item	Symbol	Condition	Standard Value			Unit
			Min.	Typ.	Max.	
Power Supply for Logic	Vdd - Vss	—	2.7	5.0	5.5	V
Input High Voltage	VIH	—	2.2	—	Vdd	V
Input Low Voltage	VIL	—	0	—	0.6	V
Output High Voltage	VOH	IoH = 0.2mA	2.2	—	Vdd	V
Output Low Voltage	VOL	IoL = 1.2mA	0	—	0.6	V
Current Consumption for Logic & LCD Driving	Idd	Vdd = 5.0V	—	—	3.0	mA
Operating Voltage for LCD	Vdd - Vo	Top = 25°C	0	4.4	10	V
Response Time	Rise Time	$\Phi = 0^\circ, \theta = 0^\circ$	—	200	250	ms
	Decay Time		—	250	300	
Viewing Angle	$\Phi 2 - \Phi 1$	$K \geq 2.0$	60	—	—	Deg
Contrast Ratio	K	$\theta = 0^\circ$ $\Phi = 20^\circ$	2	—	—	—
Frame Frequency	f FLM	—	—	64.0	—	Hz

INTERFACE PIN

1	2	3	4	5	6	7	8	9	10	11	12	13	14	15	16
Vss	Vdd	Vo	Rs	R/w	E	D0	D1	D2	D3	D4	D5	D6	D7	LED(+)	LED(-)

DIMENSIONAL DRAWING

