

# WS/WE150

photoelectric through beam sensor

## H I G H L I G H T S



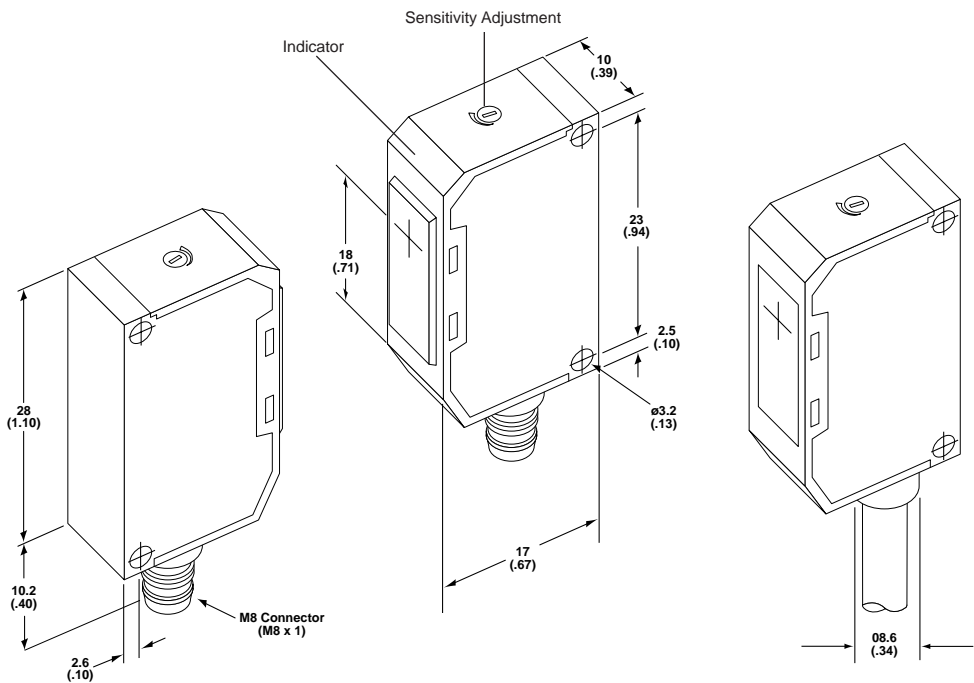
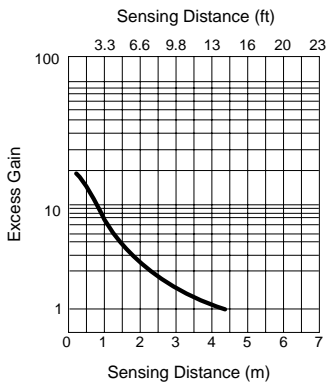
- ▶ Rugged plastic housing
- ▶ Signal strength indicator
- ▶ Sensitivity adjustment
- ▶ High switching frequency
- ▶ Outputs short circuit and over current protected
- ▶ Power supply reverse polarity protected
- ▶ Red light for easy alignment
- ▶ Cable or M8 quick disconnect versions
- ▶ Easy mounting with included bracket
- ▶ Optional slotted masks



www.DataSheet4U.com

**4.5 m (14.8 ft)**

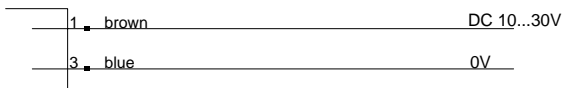
### excess gain curve



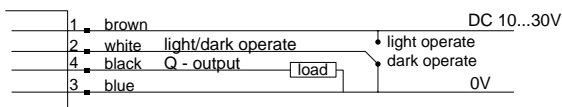
Dimensions in mm (in)

### connection diagram

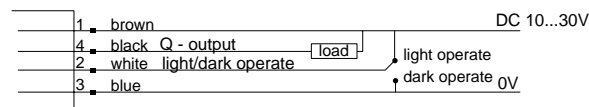
#### Sender



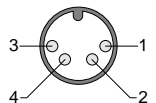
#### Receiver, PNP Models



#### Receiver, NPN Models



#### M8 Connector



wire colors refer to standard cable, not included with quick disconnect models

# WS/WE150

photoelectric through beam sensor

	WS/WE 150	-P132	-P430	-N132	-N430
Part Number	6 011 030	6 011 032	6 011 027	6 011 029	
Max. Range @ Excess Gain 1	4.5 m (14.8 ft)				
Typical Range @ Excess Gain 3	2.25 m (7.4 ft)				
Angle of Divergence / Reception	approx. 6° / 15°				
Light Spot Size	approx. 400 mm @ 4 m (15.7 in @ 13.1 ft)				
Light Source	LED, red				
External Light Immunity	Modulated light source with 2-bit evaluation				
Response Time / Frequency	0.5 ms / 1000 Hz				
Supply Voltage	10...30 V DC				
Current Consumption (no load)	≤ 30 mA				
Ripple (within $V_s$ tolerance)	± 10%				
Output Type	PNP			NPN	
Output Voltage High	$V_s - (\leq 1.5 \text{ V})$			approx. $V_s$	
Output Voltage Low	approx. 0 V			≤ 1.5 V	
Output Current Max.	100 mA				
Operation Mode	Light or dark switching selectable via wire				
Connection Type	Cable	M8 4-pin plug	Cable	M8 4-pin plug	
Connecting Cable	PVC, 2 m	see accessories	PVC, 2 m	see accessories	
Housing	Glass fiber reinforced plastic				
Enclosure Rating	IP 67 / NEMA 6				
VDE Protection Class	III				
EMC	IEC 801, parts 2, 3, 4				
Circuit Protection	Outputs short circuit and over current protected, $V_s$ reverse polarity protected				
Shock / Vibration	IEC 68-2-27 / IEC 68-2-6				
Test Input	-				
Alarm Output	-				
Timing Options	-				
Ambient Operating Temperature	-25...55°C (-13...131°F)				
Storage Temperature	-40...70°C (-40...158°F)				
Mounting Bracket	5 306 217 (included), 5 306 279 (optional)				
Weight	approx. 7 g (0.25 oz.) each (connector versions); 44 g (1.6 oz) each (cable versions)				

For more information, contact:  
 Keystone Automation, Inc.  
 5649 Memorial Avenue, N.  
 Stillwater, MN 55082  
 Phone: 651-439-4268  
[www.keystoneautomation.com](http://www.keystoneautomation.com)