



Asynchronous SRAM, 3.3V, 512Kx24

FEATURES

- 512Kx24 bit CMOS Static
- Random Access Memory Array
 - Fast Access Times: 10, 12, and 15ns
 - Master Output Enable and Write Control
 - Three Chip Enables for Byte Control
 - TTL Compatible Inputs and Outputs
 - Fully Static, No Clocks
- Surface Mount Package
 - 119 Lead BGA (JEDEC MO-163), No. 391
 - Small Footprint, 14mmx22mm
 - Multiple Ground Pins for Maximum Noise Immunity
- Single +3.3V ($\pm 5\%$) Supply Operation
- DSP Memory Solution
 - Motorola DSP5630x
 - Analog Devices SHARC™

DESCRIPTION

The WED8L24514VxxBC is a 3.3V, twelve megabit SRAM constructed with three 512Kx8 die mounted on a multi-layer laminate substrate. With 10 to 15ns access times, x24 width and a 3.3V operating voltage, the WED8L24514V is ideal for creating a single chip memory solution for the Motorola DSP5630x or a two chip solution for the Analog Devices SHARC™ DSP.

The single or dual chip memory solutions offer improved system performance by reducing the length of board traces and the number of board connections compared to using multiple monolithic devices.

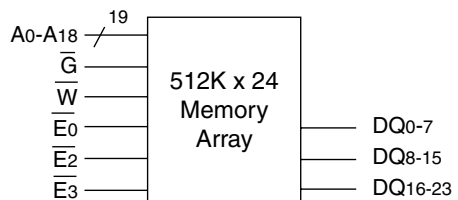
The JEDEC Standard 119 lead BGA provides a 61% space savings over using three 512Kx8, 400 mil wide SOJs and the BGA package has a maximum height of 110 mils compared to 148 mils for the SOJ packages.

FIG. 1 PIN CONFIGURATION

	PIN SYMBOLS						
	1	2	3	4	5	6	7
A	NC	A ₀	A ₁	A ₂	A ₃	A ₄	NC
B	NC	A ₅	A ₆	A ₇	A ₈	A ₉	NC
C	I/O ₁₂	NC	E ₂	NC	E ₃	NC	I/O ₀
D	I/O ₁₃	V _{CC}	GND	GND	GND	V _{CC}	I/O ₁
E	I/O ₁₄	GND	V _{CC}	GND	V _{CC}	GND	I/O ₂
F	I/O ₁₅	V _{CC}	GND	GND	GND	V _{CC}	I/O ₃
G	I/O ₁₆	GND	V _{CC}	GND	V _{CC}	GND	I/O ₄
H	I/O ₁₇	V _{CC}	GND	GND	GND	V _{CC}	I/O ₅
J	NC	GND	V _{CC}	GND	V _{CC}	GND	NC
K	I/O ₁₈	V _{CC}	GND	GND	GND	V _{CC}	I/O ₆
L	I/O ₁₉	GND	V _{CC}	GND	V _{CC}	GND	I/O ₇
M	I/O ₂₀	V _{CC}	GND	GND	GND	V _{CC}	I/O ₈
N	I/O ₂₁	GND	V _{CC}	GND	V _{CC}	GND	I/O ₉
P	I/O ₂₂	V _{CC}	GND	GND	GND	V _{CC}	I/O ₁₀
R	I/O ₂₃	A ₁₈	NC	NC	NC	A ₁₇	I/O ₁₁
T	NC	A ₉	A ₁₀	W	A ₁₁	A ₁₂	NC
U	NC	A ₁₃	A ₁₄	E	A ₁₅	A ₁₆	NC

PIN NAMES	
A ₀₋₁₈	Address Inputs
E	Chip Enable
W	Master Write Enable
G	Master Output Enable
DQ ₀₋₂₃	Common Data Input/Output
V _{CC}	Power (3.3V $\pm 5\%$)
GND	Ground
NC	No Connection

BLOCK DIAGRAM





ABSOLUTE MAXIMUM RATINGS

Voltage on any pin relative to V _{SS}	-0.5V to 4.6V
Operating Temperature T _A (Ambient)	
Commercial	0°C to +70°C
Industrial	-40°C to +85°C
Storage Temperature	-55°C to +125°C
Power Dissipation	1.5 Watts
Output Current	50 mA

*Stress greater than those listed under "Absolute Maximum Ratings" may cause permanent damage to the device. This is a stress rating only and functional operation of the device at these or any other conditions greater than those indicated in the operational sections of this specification is not implied. Exposure to absolute maximum rating conditions for extended periods may affect reliability.

AC TEST CONDITIONS

Input Pulse Levels	V _{SS} to 3.0V
Input Rise and Fall Times	5ns
Input and Output Timing Levels	1.5V
Output Load	Figure 2

NOTE: For t_{HQZ}, t_{GQZ} and t_{VLQZ}, Figure 3

RECOMMENDED DC OPERATING CONDITIONS

Parameter	Sym	Min	Typ	Max	Units
Supply Voltage	V _{CC}	3.135	3.3	3.465	V
Supply Voltage	V _{SS}	0	0	0	V
Input High Voltage	V _{IH}	2.2	—	V _{CC} +0.3	V
Input Low Voltage	V _{IL}	-0.3	—	0.8	V

FIG. 2

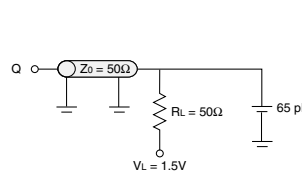
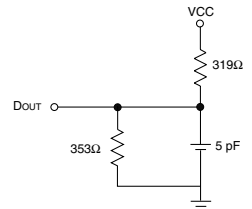


FIG. 3



DC ELECTRICAL CHARACTERISTICS

Parameter	Sym	Conditions	Min	Max		Units
				10ns	12 - 15ns	
Operating Power Supply Current	I _{CC1}	$\overline{W} = V_{IL}, I/O = 0mA,$ Min Cycle		450	350	mA
Standby (TTL) Supply Current	I _{CC2}	$\overline{E} > V_{IH}, V_{IN} < V_{IL}$ or $V_{IN} > V_{IH}, f = 0MHz$		150	150	mA
Full Standby CMOS Supply Current	I _{CC3}	$E > V_{CC} - 0.2V$ $V_{IN} > V_{CC} - 0.2V$ or $V_{IN} < 0.2V$		90	90	mA
Input Leakage Current	I _I	V _{IN} = 0V to V _{CC}		±10	±10	μA
Output Leakage Current	I _{LO}	V I/O = 0V to V _{CC}		±10	±10	μA
Output High Voltage	V _{OH}	I _{OH} = -4.0mA	2.4			V
Output Low Voltage	V _{OL}	I _{OL} = 4.0mA		0.4	0.4	V

TRUTH TABLE

G	$\overline{E0}$	$\overline{E2}$	$\overline{E3}$	W	Mode	Output	Power
X	H	H	X	X	Standby	High Z	I _{CC2} , I _{CC3}
H	L	L	L	H	Output Deselect	High Z	I _{CC1}
L	L	L	L	H	Read (24 bit)	D _{OUT}	I _{CC1}
L	L	H	H	H	Read	D _{Q0-7}	I _{CC1}
L	H	L	H	H	Read	D _{Q8-15}	I _{CC1}
L	H	H	L	H	Read	D _{Q16-23}	I _{CC1}
X	L	L	L	L	Write (24 bit)	D _{IN}	I _{CC1}
X	L	H	H	L	Write	D _{Q0-7}	I _{CC1}
X	H	L	H	L	Write	D _{Q8-15}	I _{CC1}
X	H	H	L	L	Write	D _{Q16-23}	I _{CC1}

CAPACITANCE

(f = 1.0MHz, V_{IN} = V_{CC} OR V_{SS})

Parameter	Sym	Max	Unit
Address Lines	CA	8	pF
Data Lines	CD/Q	10	pF
Write & Output Enable Lines	$\overline{W}, \overline{G}$	8	pF
Chip Enable Lines	$\overline{E0}, \overline{E2}, \overline{E3}$	8	pF

These parameters are sampled, not 100% tested.



AC CHARACTERISTICS READ CYCLE

Parameter	Symbol		10ns		12ns		15ns		Units
	JEDEC	Alt.	Min	Max	Min	Max	Min	Max	
Read Cycle Time	t _{AVAV}	t _{RC}	10		12		15		ns
Address Access Time	t _{AVQV}	t _{AA}		10		12		15	ns
Chip Enable Access Time	t _{ELQV}	t _{ACS}		10		12		15	ns
Chip Enable to Output in Low Z ¹	t _{ELQX}	t _{CLZ}	3		3		3		ns
Chip Disable to Output in High Z ¹	t _{EHQZ}	t _{CHZ}		5		6		7	ns
Output Hold from Address Change	t _{AVQX}	t _{OH}	3		3		3		ns
Output Enable to Output Valid	t _{GLQV}	t _{OE}		5		6		7	ns
Output Enable to Output in Low Z ¹	t _{GLQX}	t _{OLZ}	0		0		0		ns
Output Disable to Output in High Z ¹	t _{GHQZ}	t _{OHZ}		5		6		7	ns

NOTE 1: Parameter is guaranteed, but not tested.

FIG. 4 READ CYCLE 1 - \bar{W} HIGH, \bar{G} , \bar{E} LOW

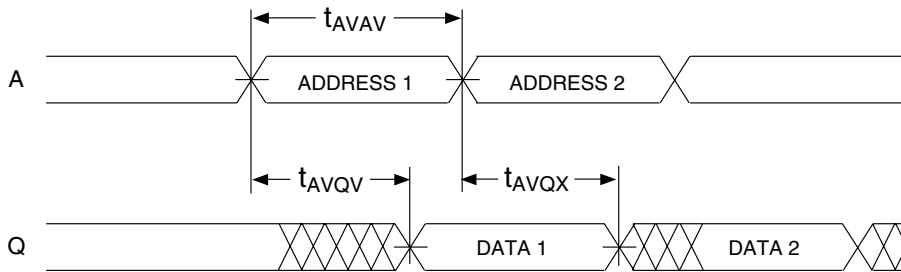
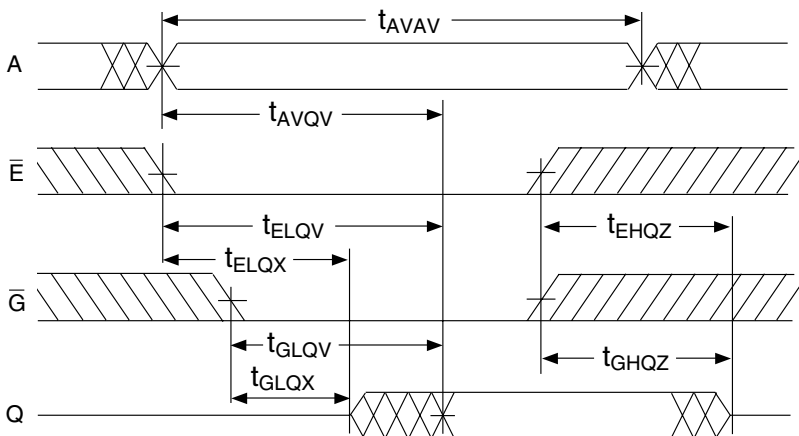


FIG. 5 READ CYCLE 2 - \bar{W} HIGH





AC CHARACTERISTICS WRITE CYCLE

Parameter	Symbol		10ns		12ns		15ns		Units
	JEDEC	Alt.	Min	Max	Min	Max	Min	Max	
Write Cycle Time	t _{AVAV}	t _{wc}	10		12		15		ns
Chip Enable to End of Write	t _{ELWH}	t _{cw}	8		9		9		ns
	t _{TELEH}	t _{cw}	8		9		9		ns
Address Setup Time	t _{AVWL}	t _{as}	0		0		0		ns
	t _{AVEL}	t _{as}	0		0		0		ns
Address Valid to End of Write	t _{AVWH}	t _{aw}	8		9		10		ns
	t _{AVEH}	t _{aw}	8		9		10		ns
Write Pulse Width	t _{WLWH}	t _{wp}	8		10		11		ns
	t _{WLEH}	t _{wp}	8		10		11		ns
Write Recovery Time	t _{WHAX}	t _{wr}	0		0		0		ns
	t _{TEHAX}	t _{wr}	0		0		0		ns
Data Hold Time	t _{WDHX}	t _{dh}	0		0		0		ns
	t _{TEHDX}	t _{dh}	0		0		0		ns
Write to Output in High Z ¹	t _{WLQZ}	t _{whz}	0	5	0	6	0	7	ns
Data to Write Time	t _{DVWH}	t _{dw}	5		6		7		ns
	t _{DVEH}	t _{dw}	5		6		7		ns
Output Active from End of Write ¹	t _{WHQX}	t _{wlz}	3		3		3		ns

NOTE 1: Parameter is guaranteed, but not tested.

FIG. 6 WRITE CYCLE 1 - \bar{W} CONTROLLED

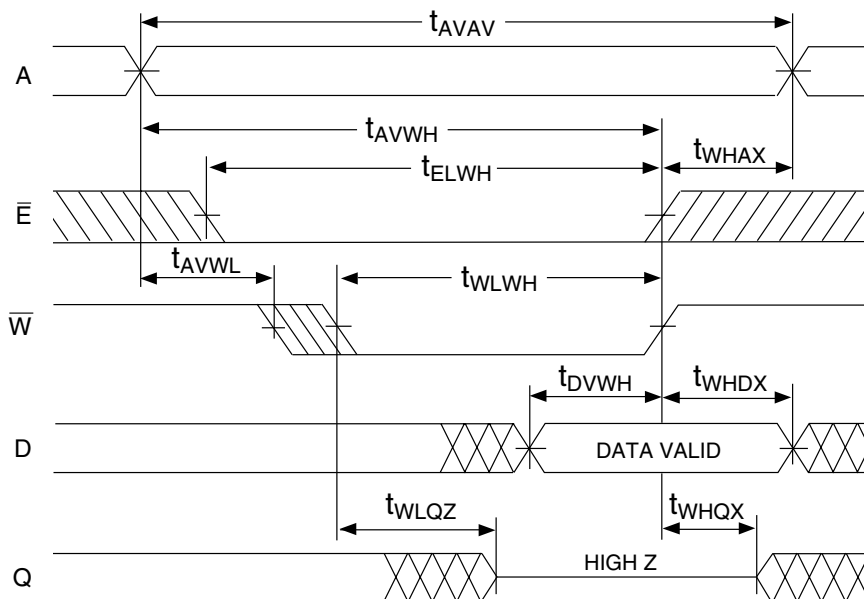
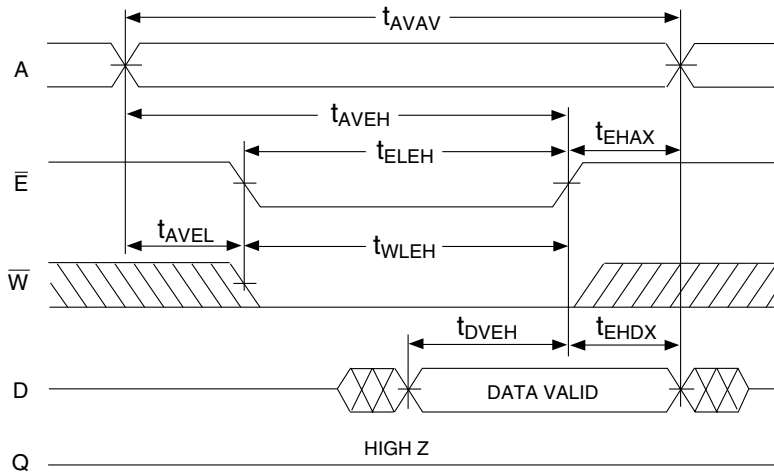




FIG. 7 WRITE CYCLE 2 - \bar{E} CONTROLLED



ORDERING INFORMATION

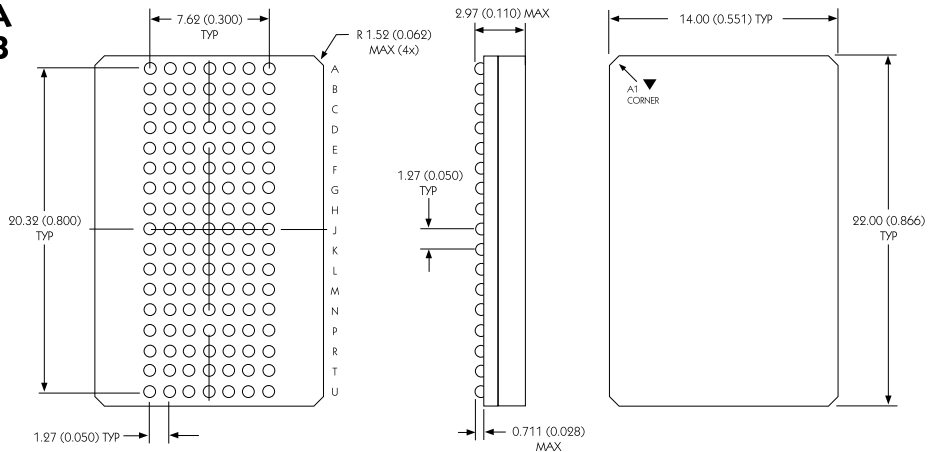
Commercial (0°C to +70°C)

Industrial (-40°C to +85°C)

Part Number	Speed (ns)	Package No.
WED8L24514V10BC	10	391
WED8L24514V12BC	12	391
WED8L24514V15BC	15	391

Part Number	Speed (ns)	Package No.
WED8L24514V12BI	12	391
WED8L24514V15BI	15	391

PACKAGE NO. 391
119 LEAD BGA
JEDEC MO-163



ALL LINEAR DIMENSIONS ARE IN MILLIMETERS AND PARENTHECALLY IN INCHES