



SPECIFICATION

MODULE NO.:

WF50Q

General Specifications

Item	Dimension	Unit
Size	5.0	inch
Dot Matrix	800 × 3(RGB) × 480	dots
Module dimension	120.7 x 75.8 x 6.4	mm
Active area	108.0 x 64.8	mm
Dot pitch	0.045 x 0.135	mm
LCD type	TFT, Normally White, Transmissive	
View Direction	12 o'clock	
Gray Scale Inversion Direction	6 o'clock	
Backlight Type	LED, Normally White	
Controller IC	SSD1963	
Interface	Digital 8080 family MPU 8bit/16bit	
With /Without TP	Without TP	
Surface	Anti-Glare	

*Color tone slight changed by temperature and driving voltage.

Absolute Maximum Ratings

Item	Symbol	Min	Typ	Max	Unit
Operating Temperature	TOP	-20	—	+70	°C
Storage Temperature	TST	-30	—	+80	°C

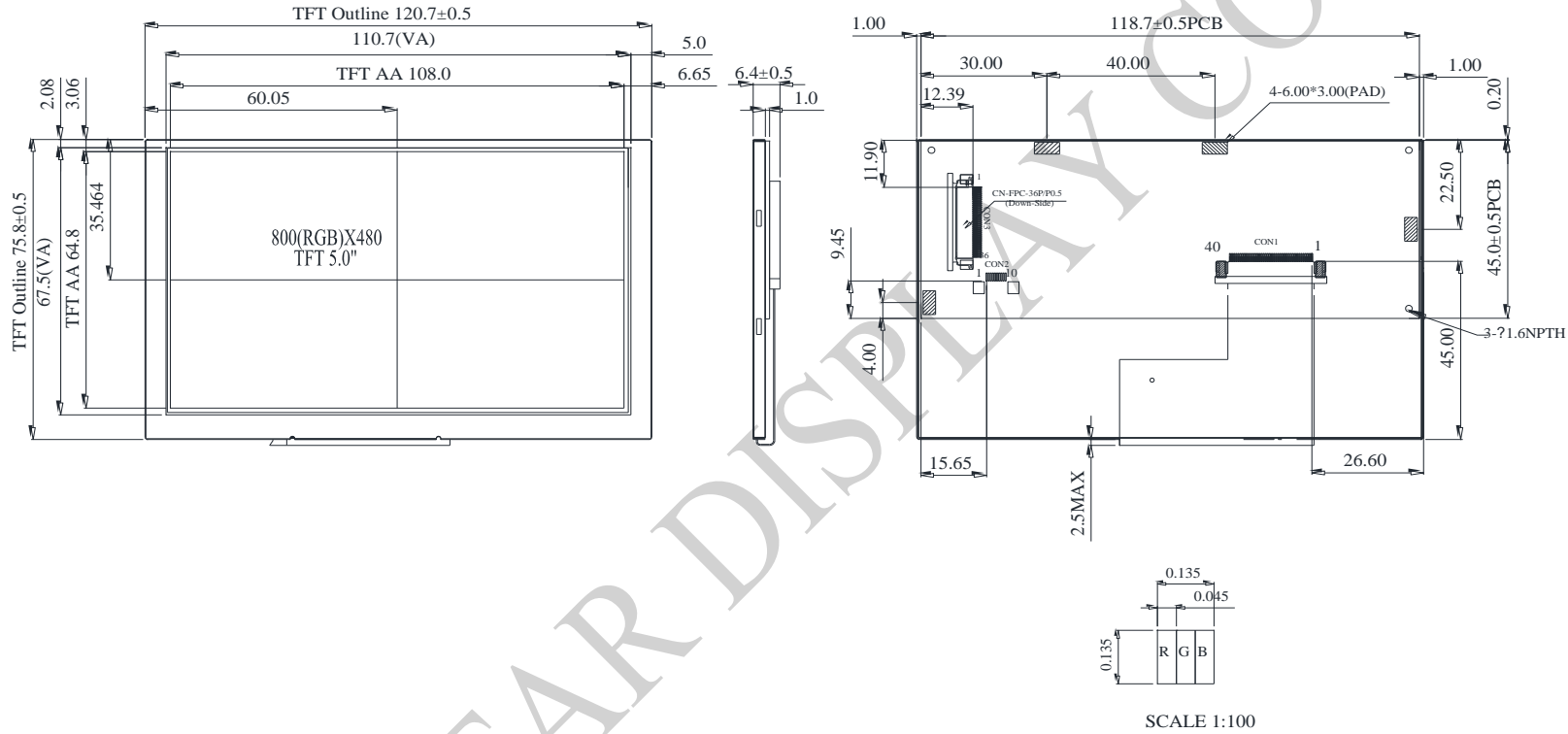
Electrical Characteristics

Item	Symbol	Condition	Min	Typ	Max	Unit
Supply Voltage For LCM	VDD	—	3.0	3.1	3.3	V
Supply Current For LCM	IDD	—	—	160	240	mA

Interface

Pin	Symbol	Function
1	GND	System round pin of the IC. Connect to system ground.
2	VDD	Power Supply : +3.3V
3	BL_E	Backlight control signal , H: On \ L: Off
4	D/C	Data/Command select
5	WR	Write strobe signal
6	RD	Read strobe signal
7	DB0	Data bus
8	DB1	Data bus
9	DB2	Data bus
10	DB3	Data bus
11	DB4	Data bus
12	DB5	Data bus
13	DB6	Data bus
14	DB7	Data bus
15	DB8	Data bus (When select 8bits mode, this pin is NC)
16	DB9	Data bus (When select 8bits mode, this pin is NC)
17	DB10	Data bus (When select 8bits mode, this pin is NC)
18	DB11	Data bus (When select 8bits mode, this pin is NC)
19	DB12	Data bus (When select 8bits mode, this pin is NC)
20	DB13	Data bus (When select 8bits mode, this pin is NC)
21	DB14	Data bus (When select 8bits mode, this pin is NC)
22	DB15	Data bus (When select 8bits mode, this pin is NC)
23	NC	No connection
24	NC	No connection
25	CS	Chip select
26	RST	Hardware reset
27	NC	No connection
28	NC	No connection
29	NC	No connection
30	NC	No connection
31	NC	No connection
32	NC	No connection
33	VLED-	VLED- for B/L LED inverter (GND)
34	VLED-	VLED- for B/L LED inverter (GND)
35	VLED+	VLED+ for B/L LED inverter (+3.3V)
36	VLED+	VLED+ for B/L LED inverter (+3.3V)

Contour Drawing



The non-specified tolerance of dimension is ±0.3mm.