



SPECIFICATION

MODULE NO.: WF70QTIFGDBT0#

General Specifications

Item	Dimension	Unit
Size	7.0	inch
Dot Matrix	800 x RGB x 480(TFT)	dots
Module dimension	165.0(W) x 100.0(H) x 13.0(D)	mm
Active area	154.08 x 85.92	mm
Dot pitch	0.0642 x 0.179	mm
LCD type	TFT, Normally White, Transmissive	
View Direction	12 o'clock	
Gray Scale Inversion Direction	6 o'clock	
Backlight Type	LED, Normally White	
Controller IC	SSD1963	
Interface	Digital 8080 family MPU 8bit/16bit	
With /Without TP	With RTP	
Surface	Anti-Glare	

*Color tone slight changed by temperature and driving voltage.

Absolute Maximum Ratings

Item	Symbol	Min	Typ	Max	Unit
Operating Temperature	TOP	-20	—	+70	°C
Storage Temperature	TST	-30	—	+80	°C

Electrical Characteristics

Operating conditions: (CON2.Pin1=GND, Pin2=VDD)

Item	Symbol	Condition	Min	Typ	Max	Unit
Supply Voltage For LCM	VDD	—	3.0	3.1	3.3	V
Supply Current For LCM	IDD	—	—	300	450	mA

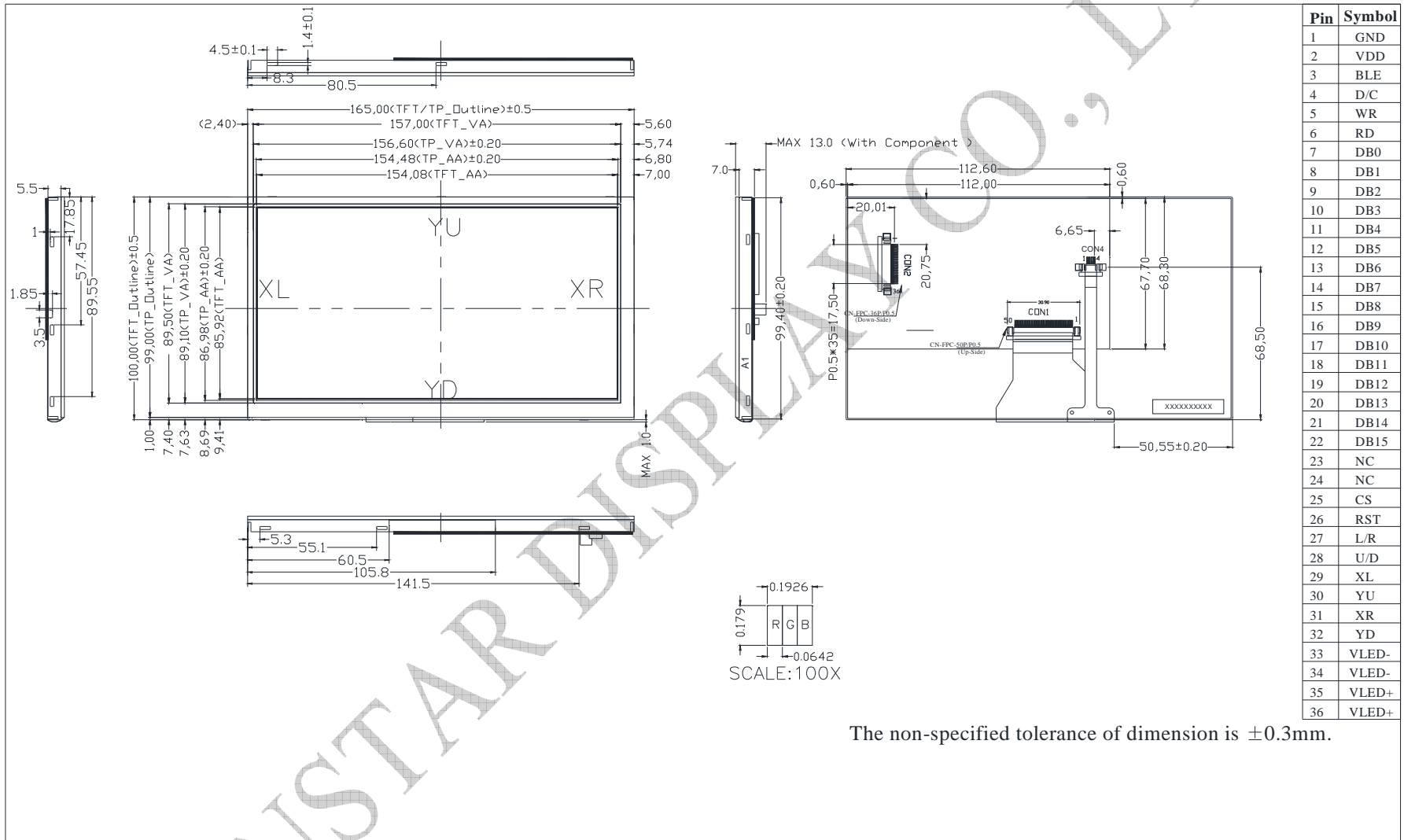
Backlight driving conditions (CON2.Pin33,34=VLED-, Pin35,36=VLED+)

Parameter	Symbol	Min.	Typ.	Max.	Unit
Operation Current For LED Driver	VLED=5V	400	—	600	mA
Power Consumption	VLED=5V	2000	—	3000	mW
Supply Voltage For LED Driver	VLED+	—	5	—	V
LED Life Time	—	—	50,000	—	Hr

Interface

Pin	Symbol	Function
1	GND	System ground pin of the IC . Connect to system ground.
2	VDD	Power Supply : +3.3V
3	BLE	Backlight control signal , H: On \ L: Off
4	D/C	Data/Command select
5	WR	Write strobe signal
6	RD	Read strobe signal
7	DB0	Data bus
8	DB1	Data bus
9	DB2	Data bus
10	DB3	Data bus
11	DB4	Data bus
12	DB5	Data bus
13	DB6	Data bus
14	DB7	Data bus
15	DB8	Data bus (When select 8bits Mode, this pin is NC)
16	DB9	Data bus (When select 8bits Mode, this pin is NC)
17	DB10	Data bus (When select 8bits Mode, this pin is NC)
18	DB11	Data bus (When select 8bits Mode, this pin is NC)
19	DB12	Data bus (When select 8bits Mode, this pin is NC)
20	DB13	Data bus (When select 8bits Mode, this pin is NC)
21	DB14	Data bus (When select 8bits Mode, this pin is NC)
22	DB15	Data bus (When select 8bits Mode, this pin is NC)
23	NC	No connect
24	NC	No connect
25	CS	Chip select
26	RST	Hardware reset
27	L/R	Left / right selection; Default L/R=H
28	U/D	Up/down selection; ; Default U/D=L
29	XL	Left electrode
30	YU	Top electrode
31	XR	Right electrode
32	YD	Bottom electrode
33	VLED-	Power for LED Driver IC(GND)
34	VLED-	Power for LED Driver IC(GND)
35	VLED+	Power for LED Driver IC(+5V)
36	VLED+	Power for LED Driver IC(+5V)

Contour Drawing



Pin	Symbol
1	GND
2	VDD
3	BLE
4	D/C
5	WR
6	RD
7	DB0
8	DB1
9	DB2
10	DB3
11	DB4
12	DB5
13	DB6
14	DB7
15	DB8
16	DB9
17	DB10
18	DB11
19	DB12
20	DB13
21	DB14
22	DB15
23	NC
24	NC
25	CS
26	RST
27	L/R
28	U/D
29	XL
30	YU
31	XR
32	YD
33	VLED-
34	VLED-
35	VLED+
36	VLED+

The non-specified tolerance of dimension is ±0.3mm.