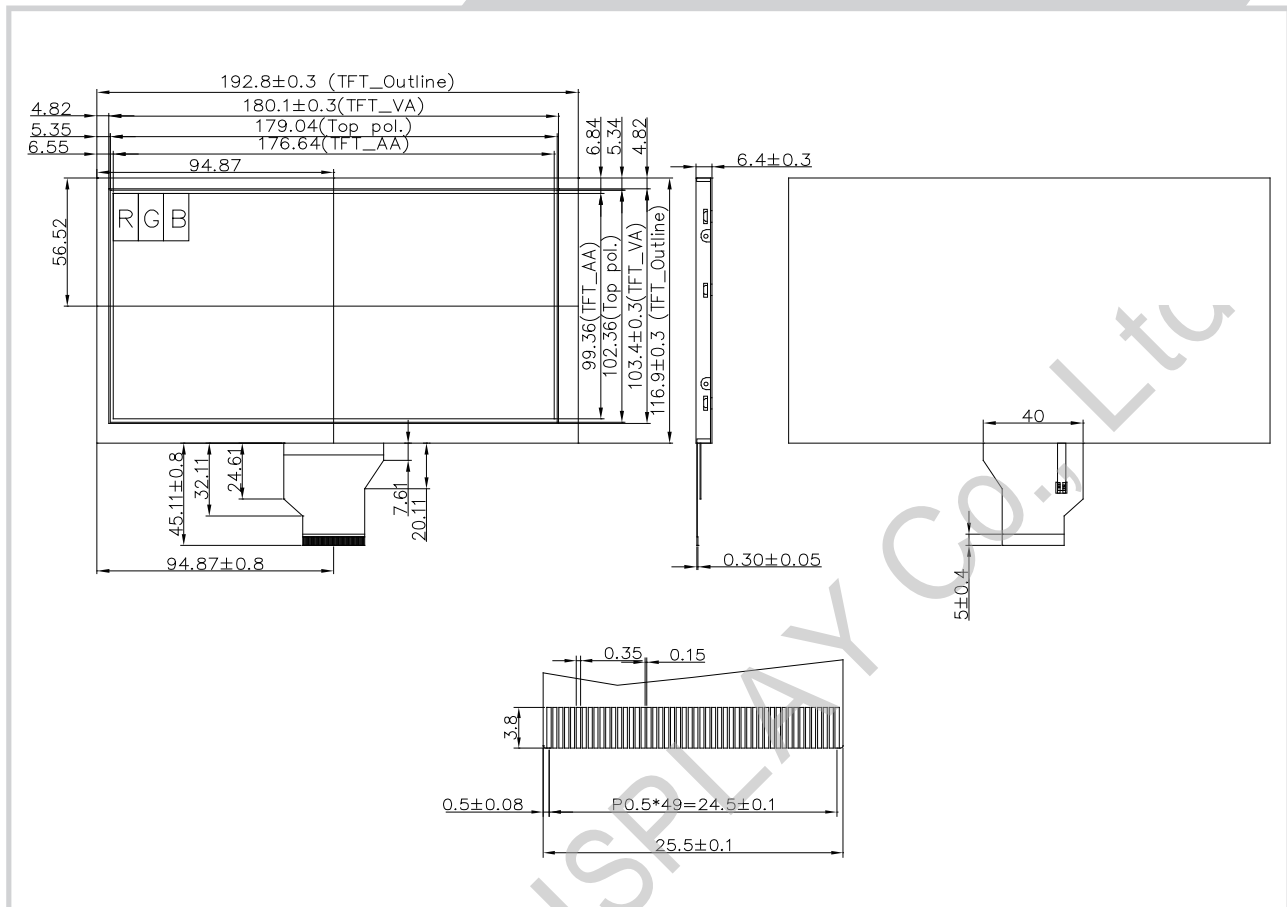


WF80B TFT Graphic 800x480 dots



Feature

- 8 inches Color TFT
- Dot Matrix: 800xRGBx480
- View Direction: 12 o'clock
- Gray Scale Inversion Direction: 6 o'clock
- +3.3V power supply of VCC
- Option Control-board/RTP/CTP
- Interface : RGB 888(DE, SYNC)

Pin No.	Symbol	function
1	VLED+	Power supply for backlight
2	VLED+	Backlight ground
3~4	VLED-	Backlight ground
5	GND	Power ground
6	VCOM	Common voltage
7	VCC	Power for Digital Circuit
8	MODE	DE/SYNC mode select
9	DE	Data Input Enable
10	VS	Vertical Sync Input
11	HS	Horizontal Sync Input
12	B7	Blue data(MSB)
13~18	B6~1	Blue data
19	B0	Blue data(LSB)
20	G7	Green data(MSB)
21~26	G6~1	Green data
27	G0	Green data(LSB)
28	R7	Red data(MSB)
29~34	R6~1	Red data
35	R0	Red data(LSB)
36	GND	Power Ground
37	DCLK	Sample clock
38	GND	Power Ground
39	L/R	Left / right selection
40	U/D	Up/down selection
41	VGH	Gate ON Voltage
42	VGL	Gate OFF Voltage
43	AVDD	Power for Analog Circuit
44	RESET	Global reset pin.
45	NC	No connection
46	VCOM	Common Voltage
47	DITHB	Dithering function
48	GND	Power Ground
49~50	NC	No connection

Mechanical Data

Item	Standard Value	Unit
Module Dimension	192.80 x 116.90	mm
Viewing Area	180.1 x 103.4	mm
Active Area	176.64 x 99.36	mm
Dot Pitch	0.0736 x 0.2070	mm

Electrical Characteristics (Operating conditions)

Item	Symbol	Min	Typ	Max	Unit
Supply Voltage	VCC	3	3.3	3.6	V
Supply Current	ICC	10	---	---	mA

Electrical Characteristics (B/L driving conditions)

Parameter	Symbol	Min	Typ	Max	Unit
LED Voltage	VBL+	8.4	9.3	10.2	V
LED Current	---	216	240	264	mA