



Winstar Display Co., LTD

華凌光電股份有限公司



WEB: <http://www.winstar.com.tw>

E-mail: winstar@winstar.com.tw

SPECIFICATION

MODULE NO.: WF80PTIFGDBN0#

General Specifications

Item	Dimension	Unit
Size	8.0	inch
Dot Matrix	800 x RGBx480(TFT)	dots
Module dimension	192.8(W) x 116.9(H) x 13.1(D)	mm
Active area	176.64 x 99.36	mm
Dot pitch	0.0736x 0.2070	mm
LCD type	TFT, Normally White ,Transmissive	
View Direction	12 o'clock	
Gray Scale Inversion Direction	6 o'clock	
Backlight Type	LED,Normally White	
Controller IC	RA8875	
Interface	Digital 8080 family MPU	
With /Without TP	Without TP	
Surface	Anti-Glare	

*Color tone slight changed by temperature and driving voltage.

Absolute Maximum Ratings

Item	Symbol	Min	Typ	Max	Unit
Operating Temperature	TOP	-20	—	+70	°C
Storage Temperature	TST	-30	—	+80	°C

Electrical Characteristics

Operating conditions: (CON2.Pin1=GND, Pin2=VDD)

Item	Symbol	Condition	Min	Typ	Max	Unit
Supply Voltage For LCM	VDD	—	3.0	3.3	3.6	V
Supply Current For LCM	IDD	—	-	199	300	mA

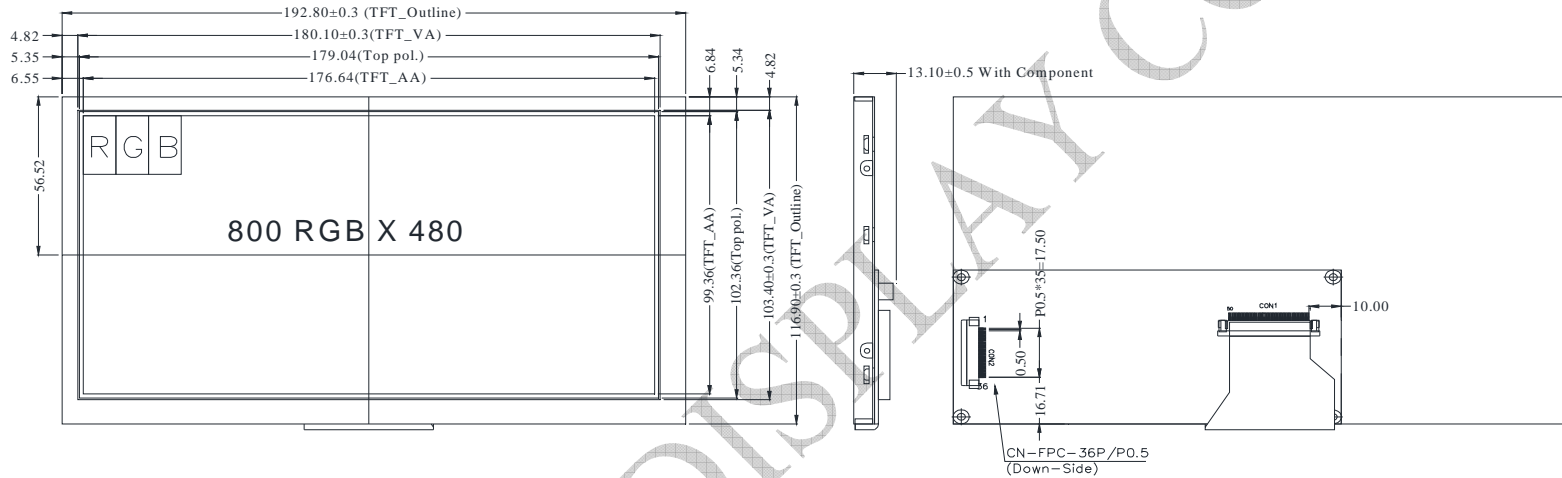
Backlight driving conditions (CON2.Pin33,34=VLED-, Pin35,36=VLED+)

Parameter	Symbol	Min.	Typ.	Max.	Unit
Operation Current For LED Driver	VLED=5V	600	—	900	mA
Power Consumption	VLED=5V	3000	—	4500	mW
Supply Voltage For LED Driver	VLED+	—	5	—	V
LED Life Time	—	20,000	—	—	Hr

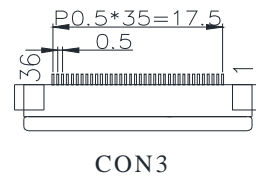
Interface

Pin	Symbol	Function
1	GND	System ground
2	VDD	Power Supply : +3.3V
3	BL_E	Backlight control signal , H: On \ L: Off
4	RS	Data/Command select
5	WR	Write strobe signal
6	RD	Read strobe signal
7	DB0	Data bus
8	DB1	Data bus
9	DB2	Data bus
10	DB3	Data bus
11	DB4	Data bus
12	DB5	Data bus
13	DB6	Data bus
14	DB7	Data bus
15	DB8	Data bus
16	DB9	Data bus
17	DB10	Data bus
18	DB11	Data bus
29	DB12	Data bus
20	DB13	Data bus
21	DB14	Data bus
22	DB15	Data bus
23	WAIT	Wait Signal Output(H:active)
24	NC	No connection
25	CS	Chip select
26	RESET	Hardware reset
27	LR	Left / right selection; Default L/R=H
28	UD	Up/down selection; ; Default U/D=L
29	NC	No connection
30	NC	No connection
31	NC	No connection
32	NC	No connection
33	VLED-	Power for LED backlight cathode(GND)
34	VLED-	Power for LED backlight cathode(GND)
35	VLED+	Power for LED backlight anode(+5V)
36	VLED+	Power for LED backlight anode(+5V)

Contour Drawing



PIN NO.	SYMBOL
1	GND
2	VDD
3	BL E
4	RS
5	WR
6	RD
7	DB0
8	DB1
9	DB2
10	DB3
11	DB4
12	DB5
13	DB6
14	DB7
15	DB8
16	DB9
17	DB10
18	DB11
19	DB12
20	DB13
21	DB14
22	DB15
23	WAIT
24	NC
25	CS
26	RESET
27	LR
28	UD
29	NC
30	NC
31	NC
32	NC
33	VLED-
34	VLED-
35	VLED+
36	VLED+



The non-specified tolerance of dimension is ±0.3mm.